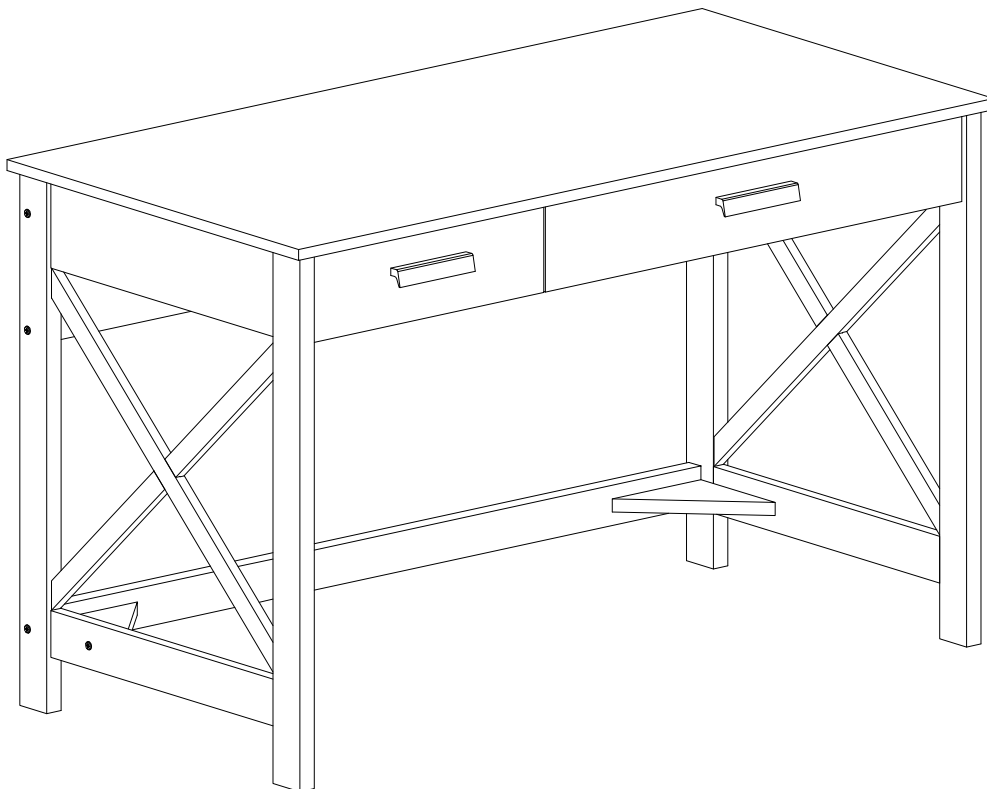


ASSEMBLY INSTRUCTIONS

I

Important Safety Instructions:

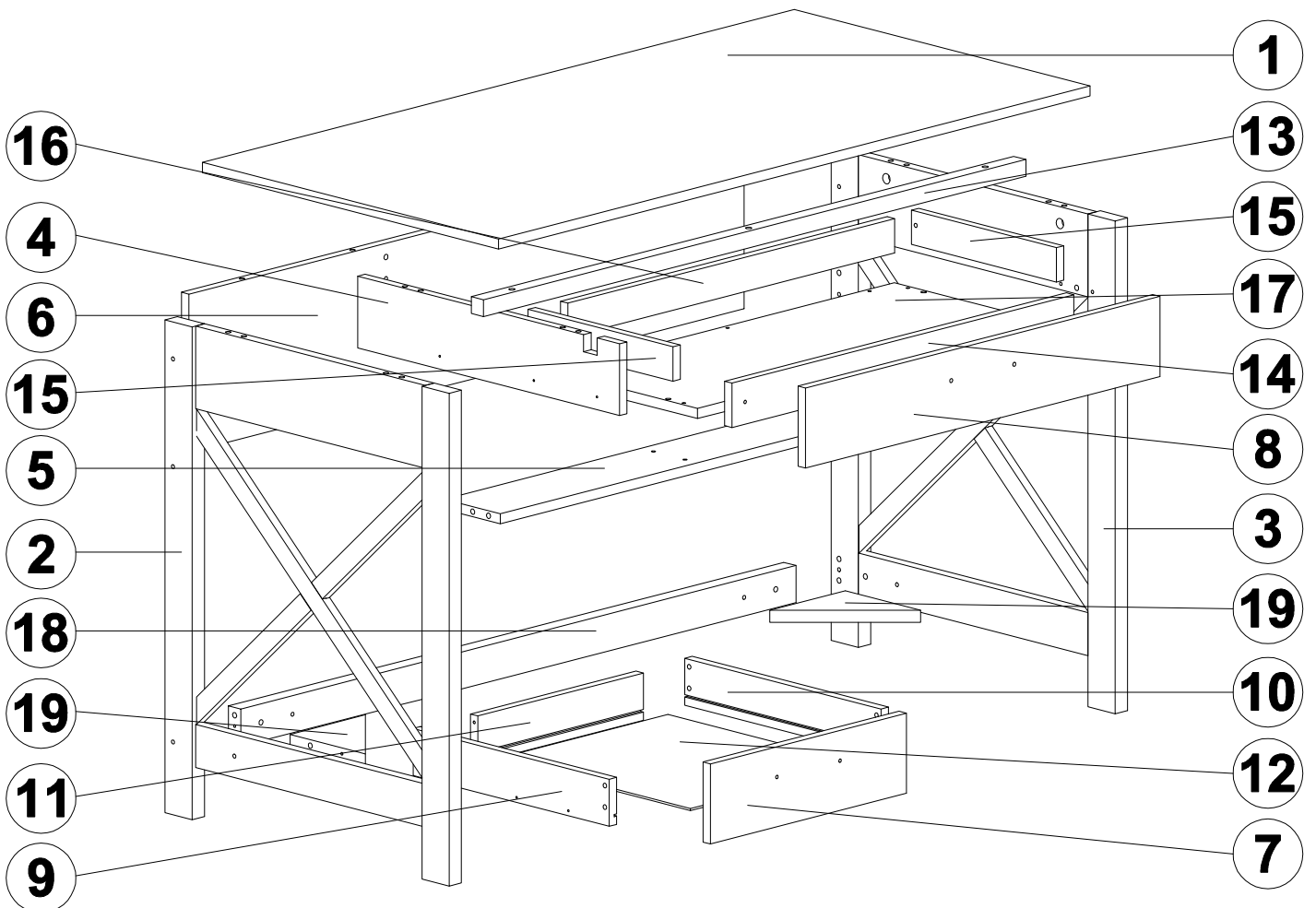
- Please read all instructions before beginning assembly
- Please make sure receive all the parcels to start the assembly
- For your safety and convenience, assembly by two people is recommended
- Use the parts and hardware lists to identify and separate each of the components included
- Save all packing materials until assembly is completed to avoid the accidental discarding of smaller parts or hardware



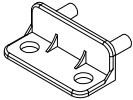
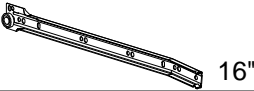
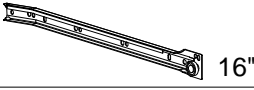
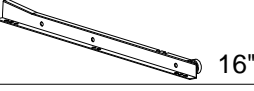
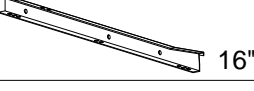
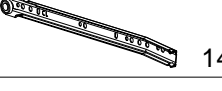
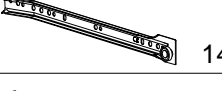
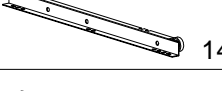
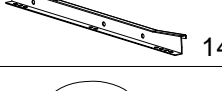

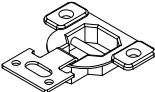

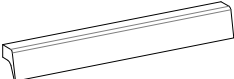
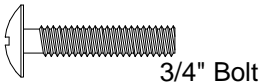
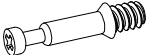
THANK YOU FOR PURCHASING



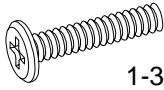
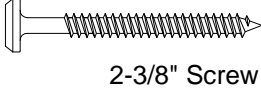
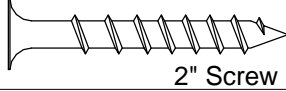
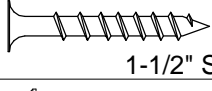
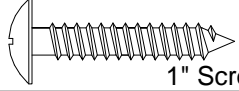
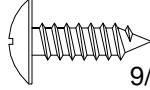
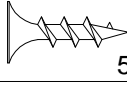
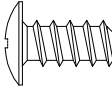
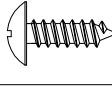
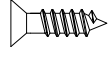
PARTS LIST

1 X1	2 X1	3 X1	4 X1	5 X1
6 X1	7 X1	8 X1	9 X1	10 X1
11 X1	12 X1	13 X1	14 X1	15 X2
16 X1	17 X1	18 X1	19 X2	



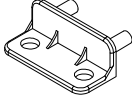
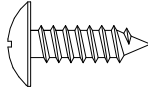


HARDWARE LIST

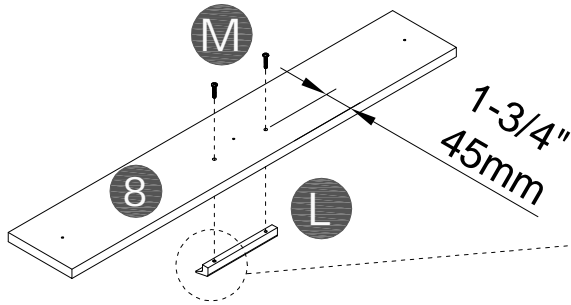
Name	Part	Qty.	Spare
A		2	
B	 16"	1	
C	 16"	1	
D	 16"	1	
E	 16"	1	
F	 14"	1	
G	 14"	1	
H	 14"	1	
I	 14"	1	
J		2	
K		2	
L	AK1801 	2	
	AK1834 		
M	 3/4" Bolt	4	1
N		13	1

Name	Part	Qty.	Spare
O		13	1
P		24	1
Q	 1-3/8" Bolt	3	
R	 2-3/8" Screw	10	
S	 2" Screw	3	
T	 1-1/2" Screw	13	
U	 1" Screw	3	
V	 9/16" Screw	4	
W	 5/8" Screw	4	
X	 1/2" Screw	2	
Y	 1/2" Screw	8	1
Z	 1/2" Screw	18	3

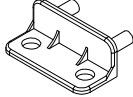
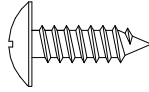
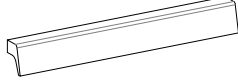

STEP 1

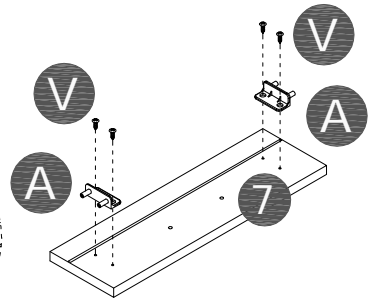
AK1801

- A** x 2pcs 
- V** x 4pcs 
- L** x 1pc 
- M** x 2pcs 

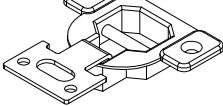
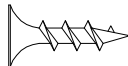


AK1834

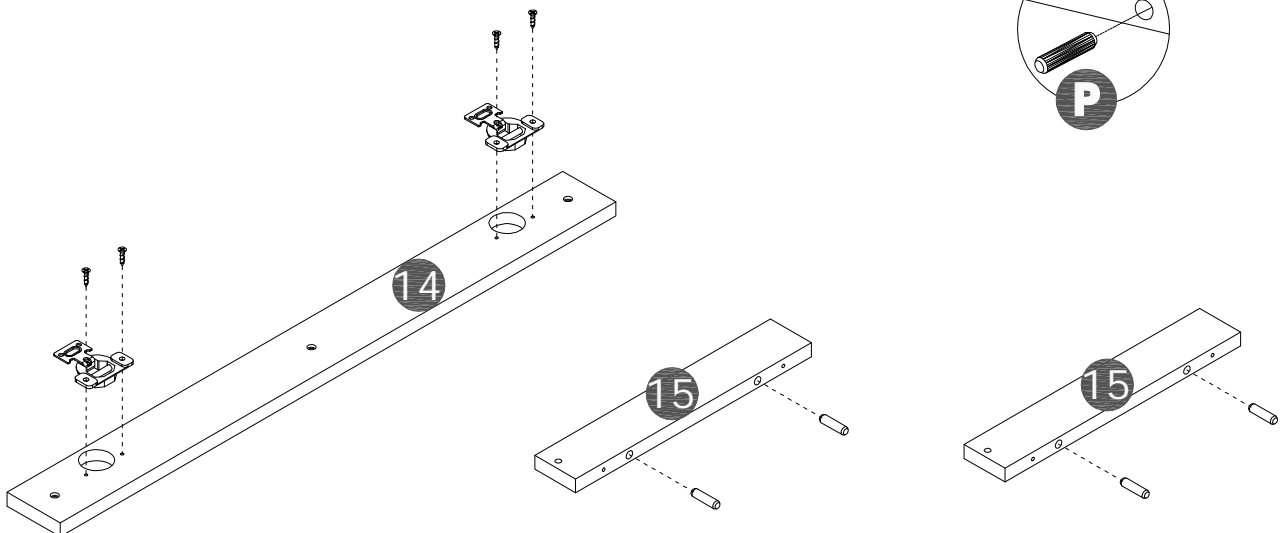
- A** x 2pcs 
- V** x 4pcs 
- L** x 1pc 
- M** x 2pcs 



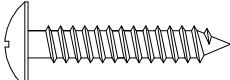
STEP 2

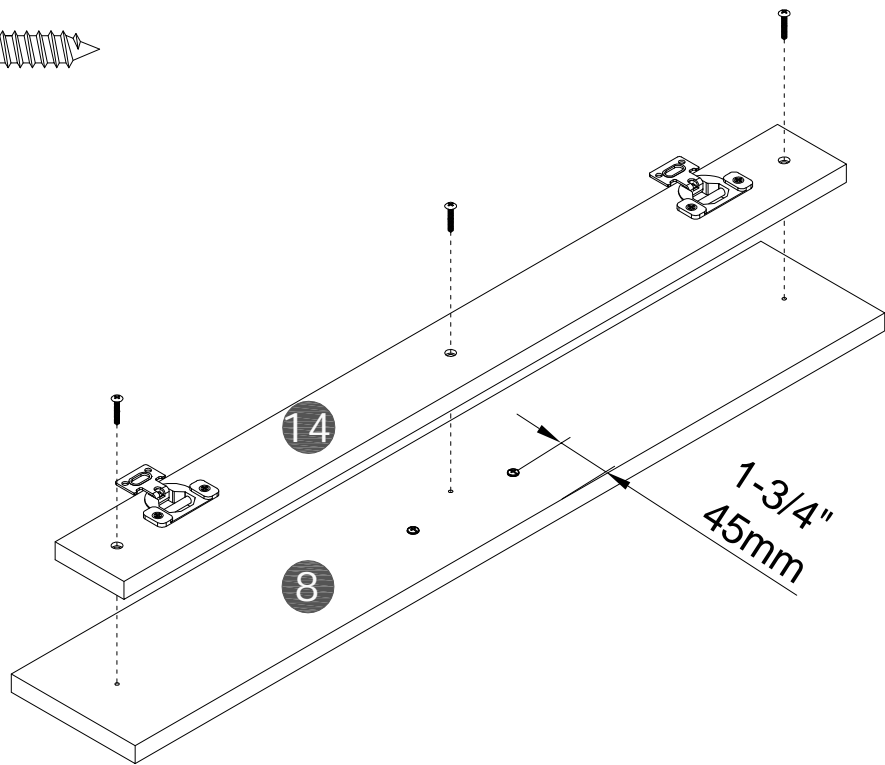
- K** x 2pcs 
- W** x 4pcs 

- P** x 4pcs 



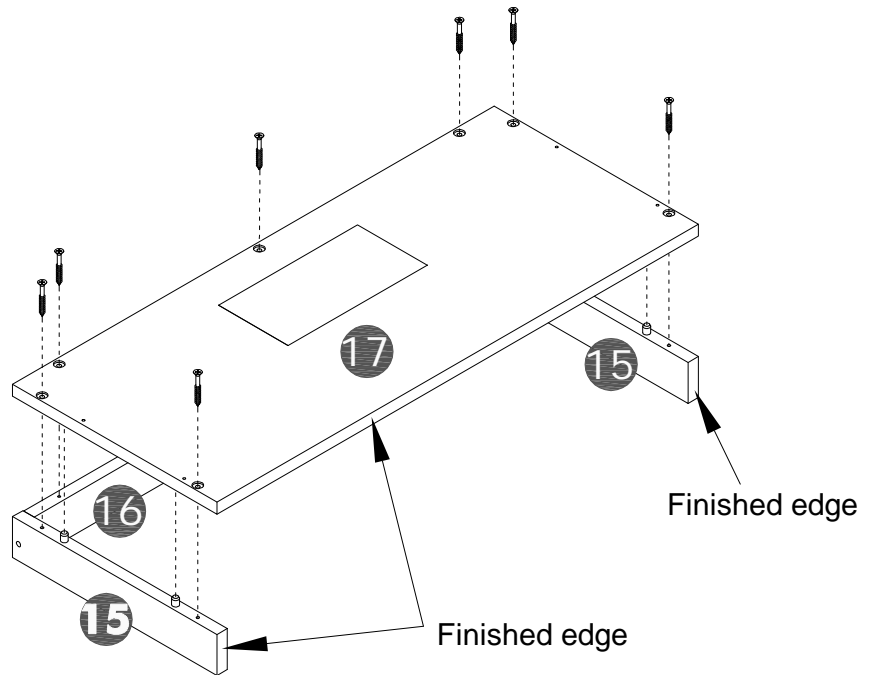
STEP 3

U x 3pcs 



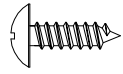
STEP 4

T x 7pcs 

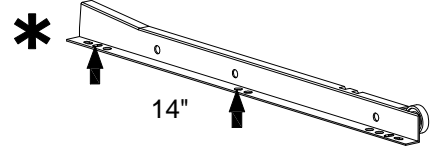


STEP 5

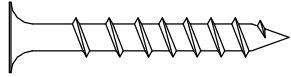
Y x 4pcs



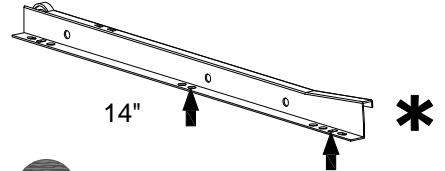
H x 1pc



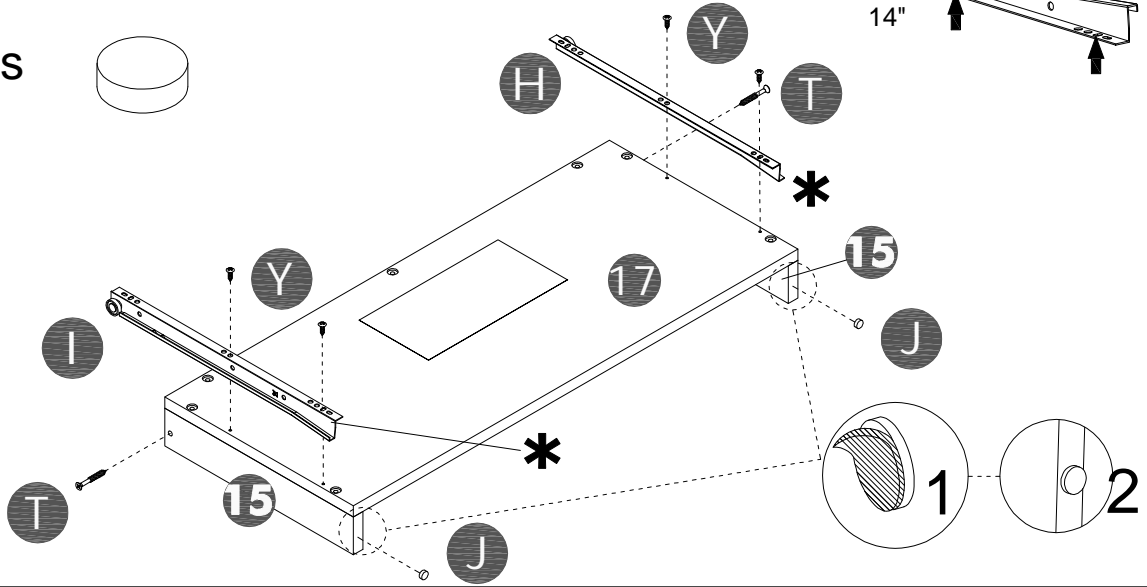
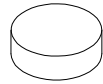
T x 2pcs



I x 1pc

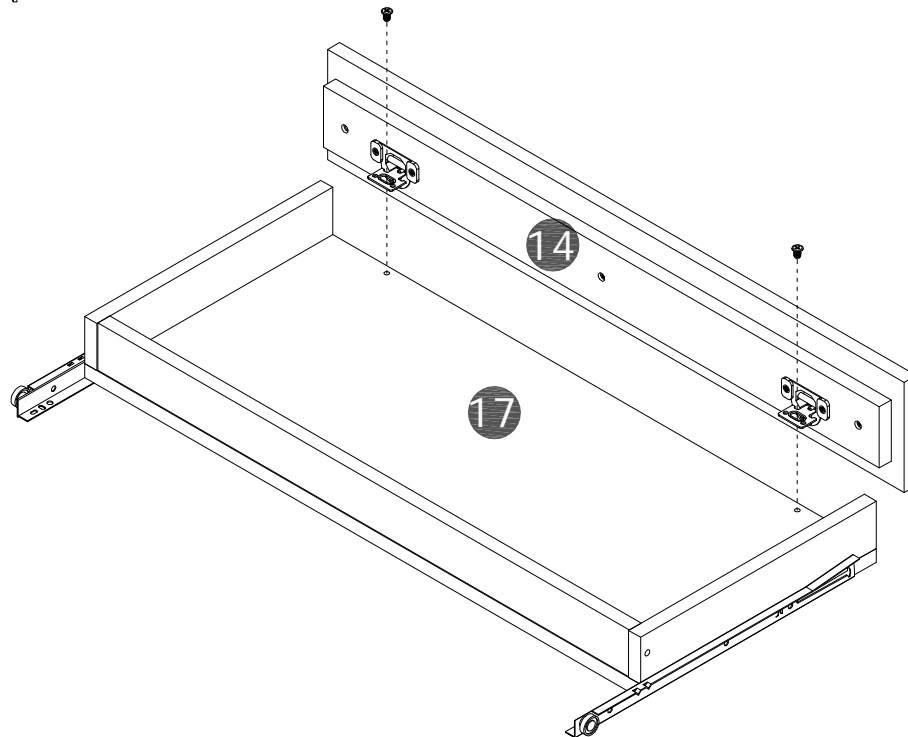
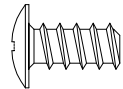


J x 2pcs



STEP 6

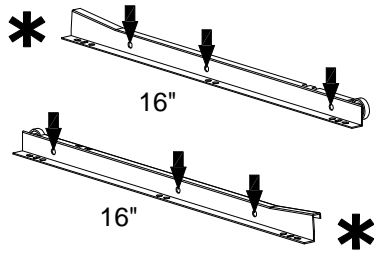
X x 2pcs



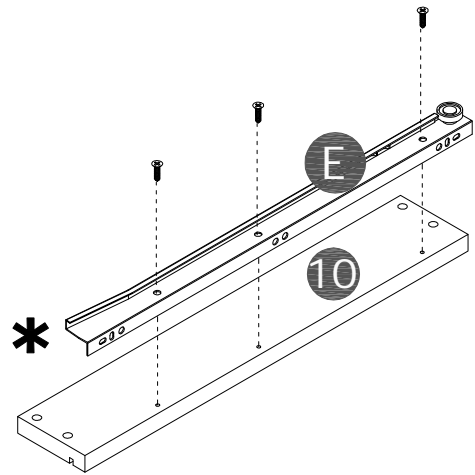
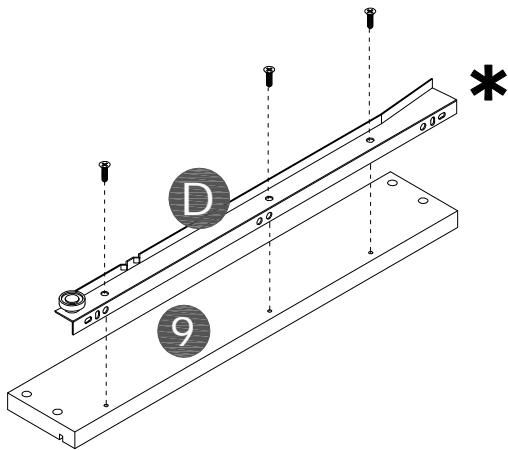
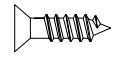
STEP 7

D x 1pc

E x 1pc

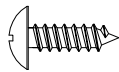


Z x 6pcs

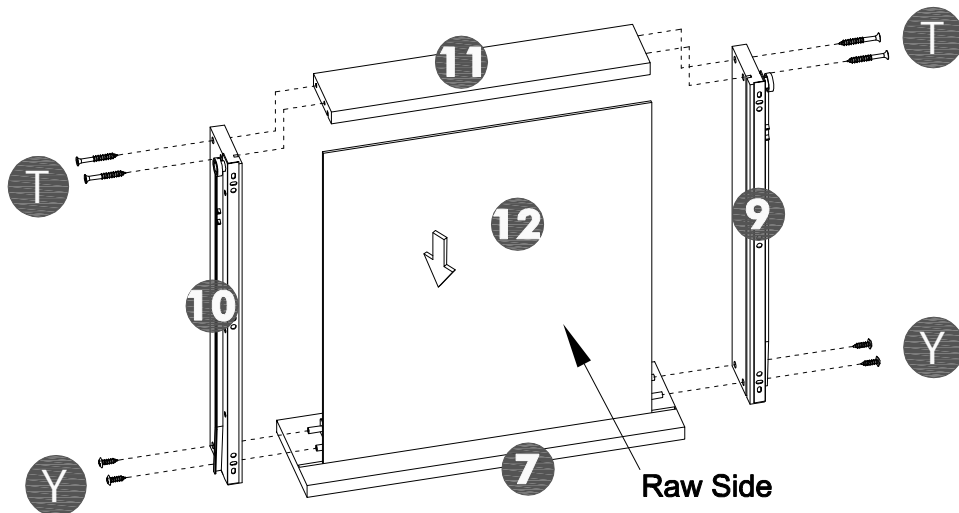
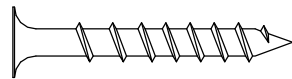


STEP 8

Y x 4pcs



T x 4pcs



STEP 9

AK1801

L x 1pc

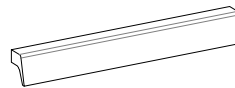


M x 2pcs

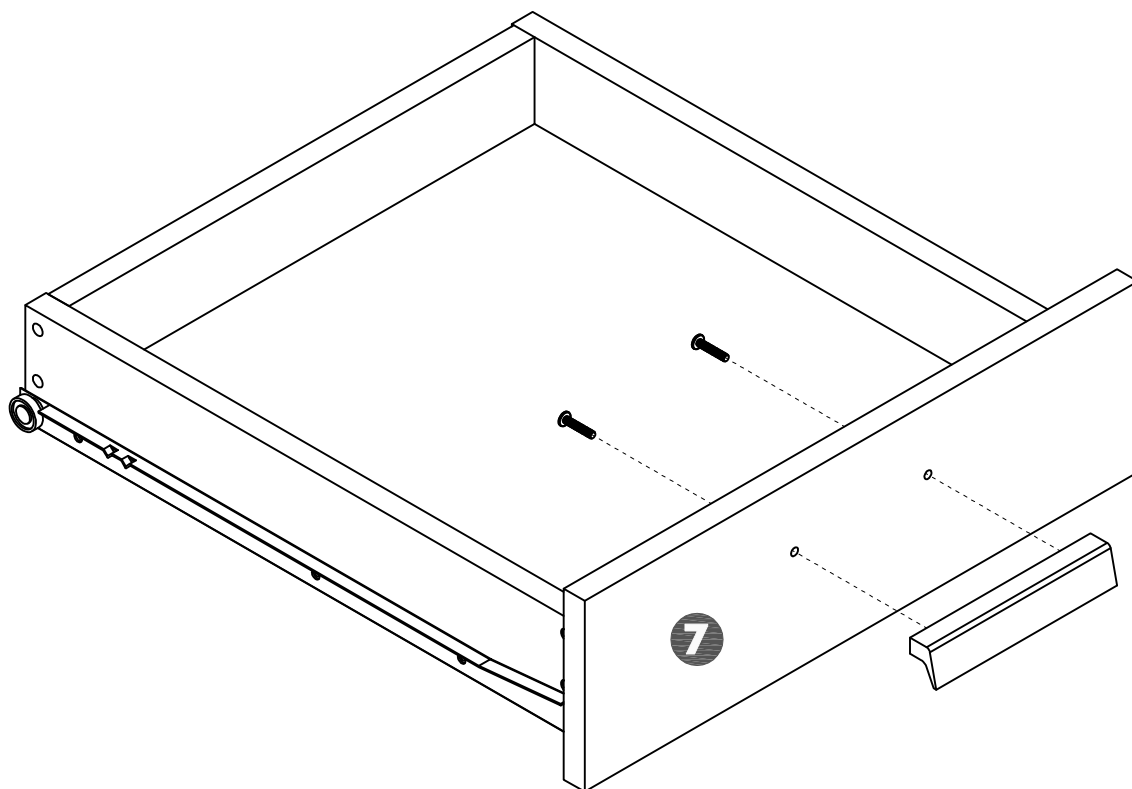


AK1834

L x 1pc



M x 2pcs



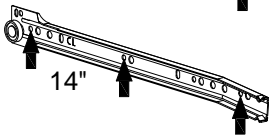
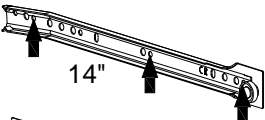
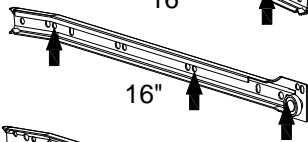
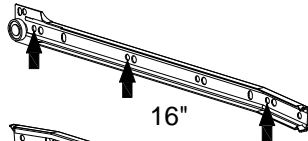
STEP 10

B x 1pc

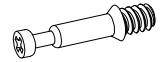
C x 1pc

G x 1pc

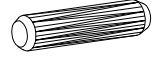
F x 1pc



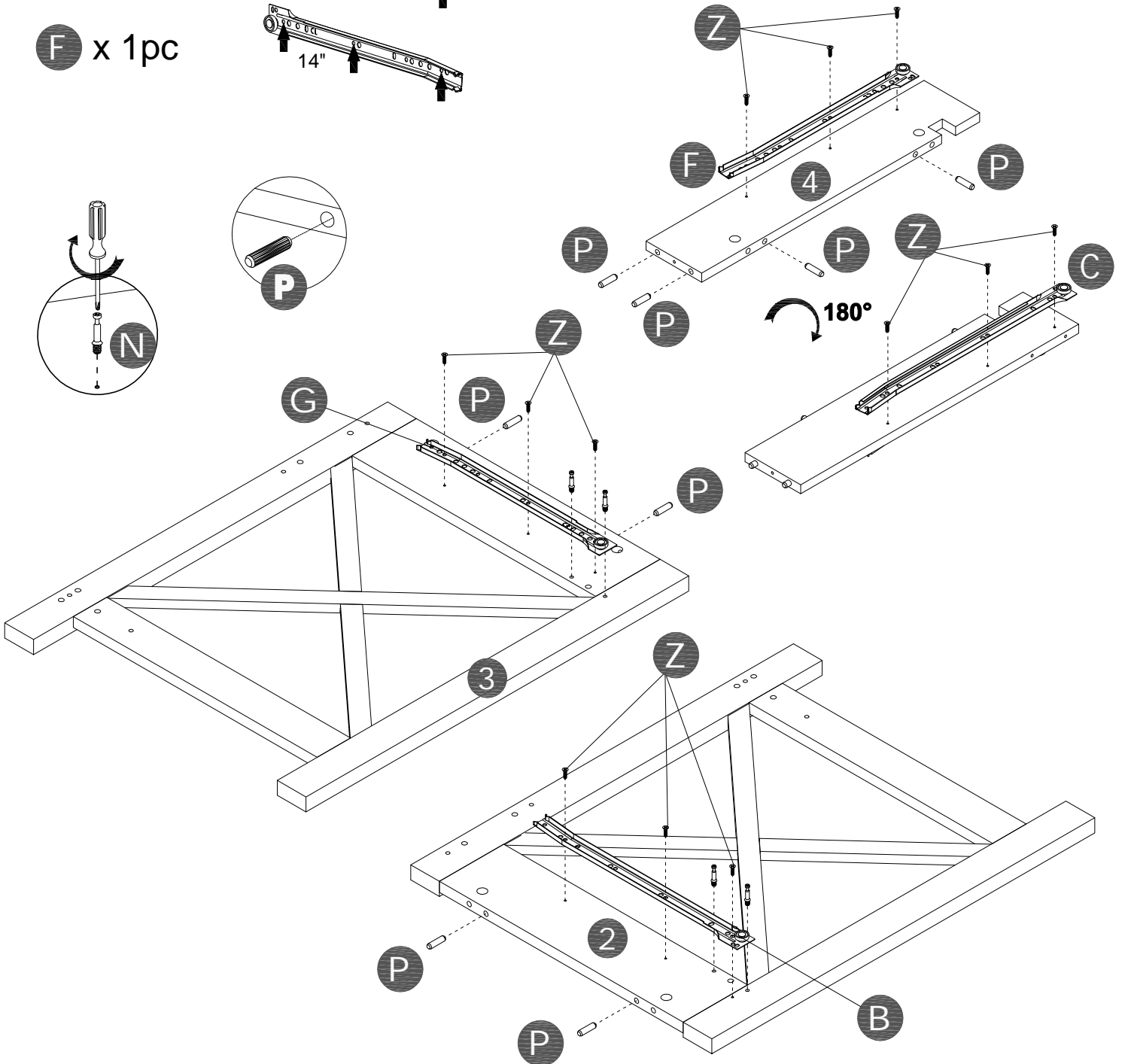
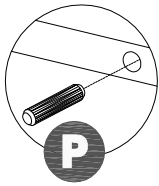
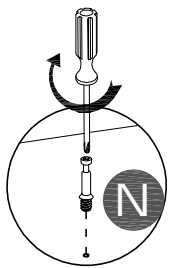
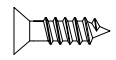
N x 4pcs



P x 8pcs

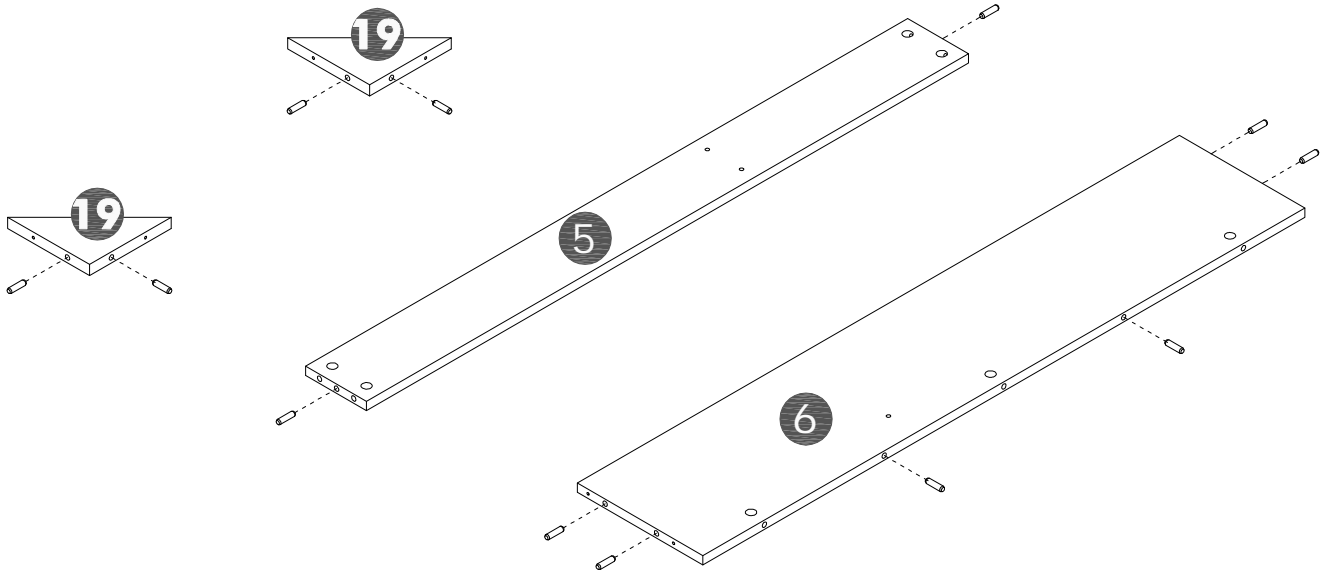
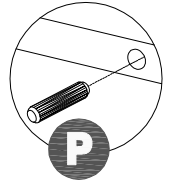


Z x 12pcs

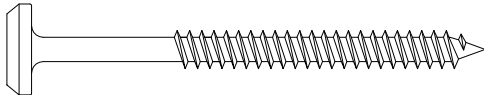


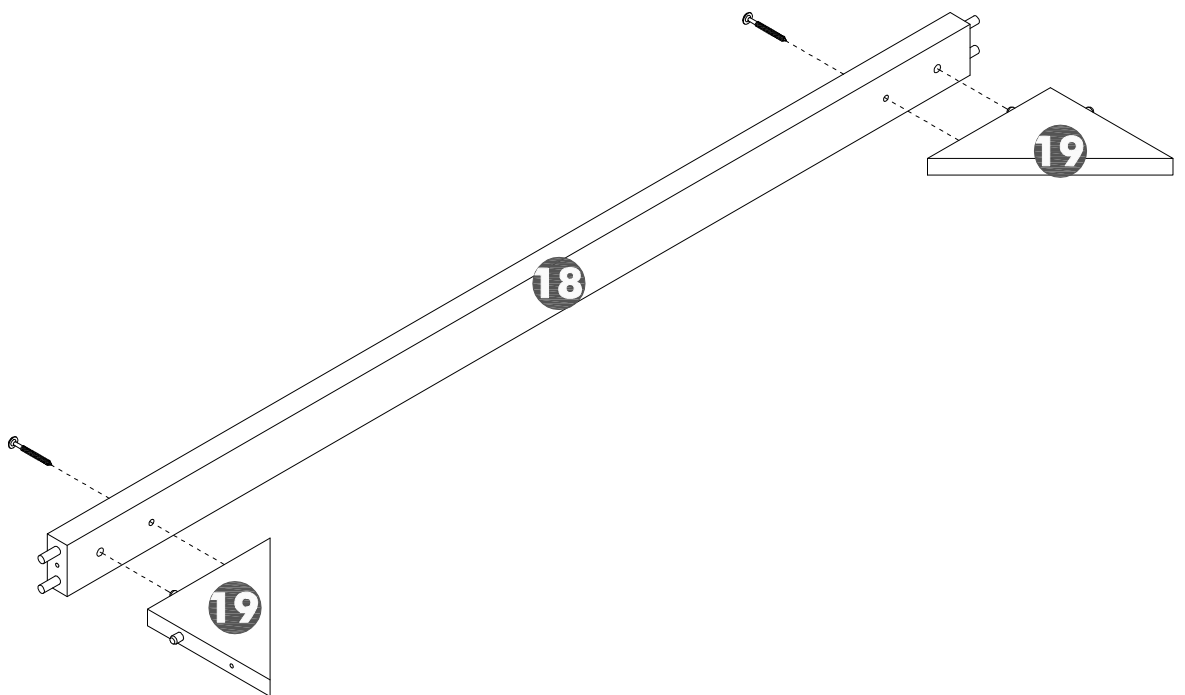
STEP 11

P x 12pcs 



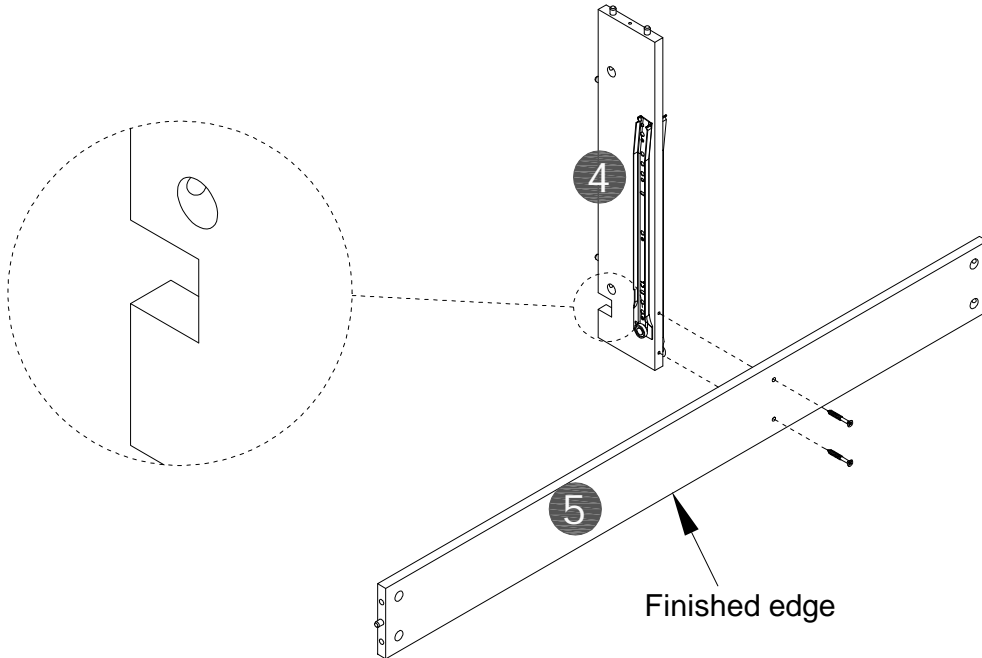
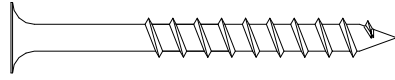
STEP 12

R x 2pcs 



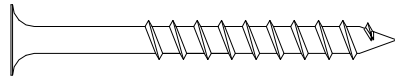
STEP 13

S x 2pcs

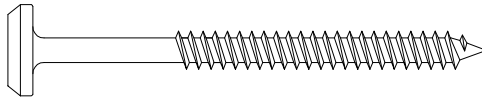


STEP 14

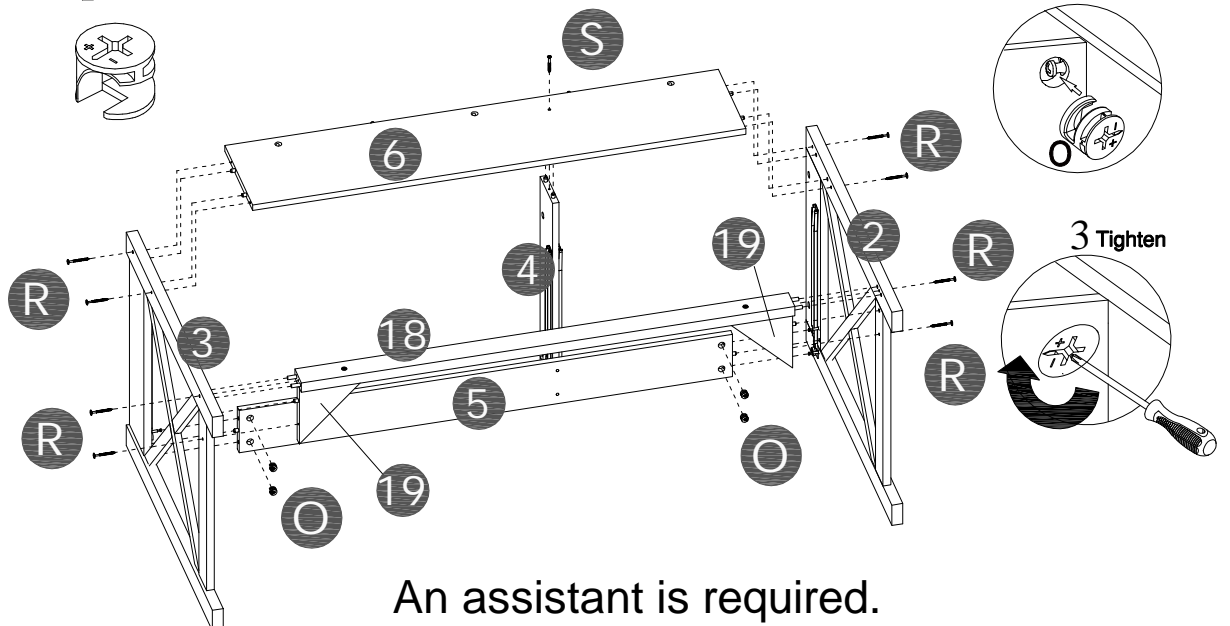
S x 1pc



R x 8pcs



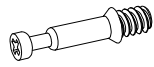
O x 4pcs



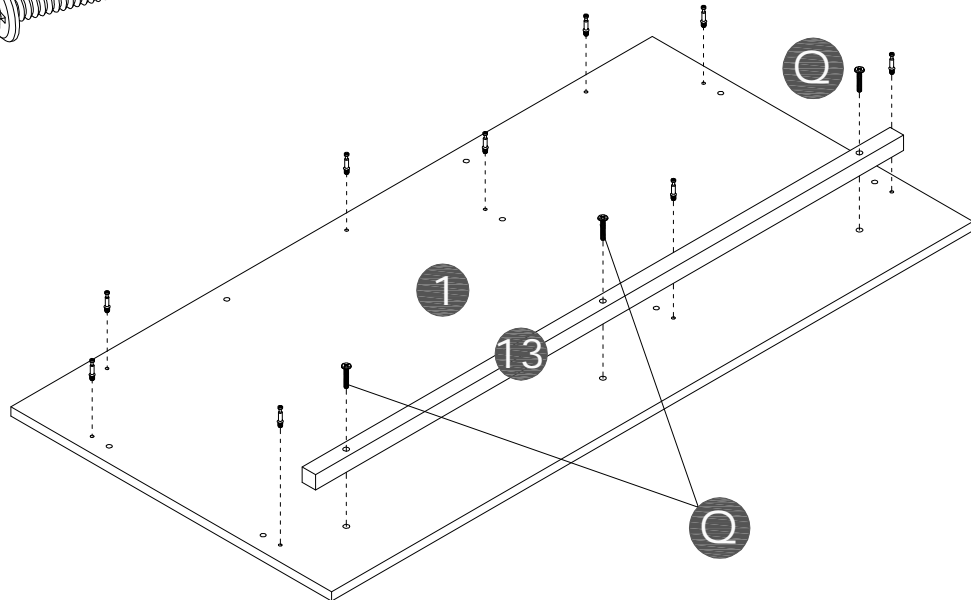
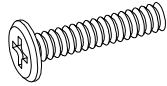
An assistant is required.

STEP 15

N x 9pcs



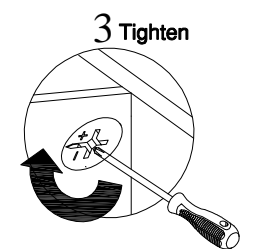
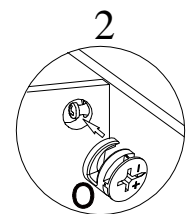
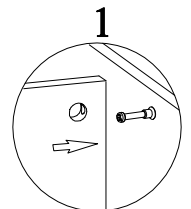
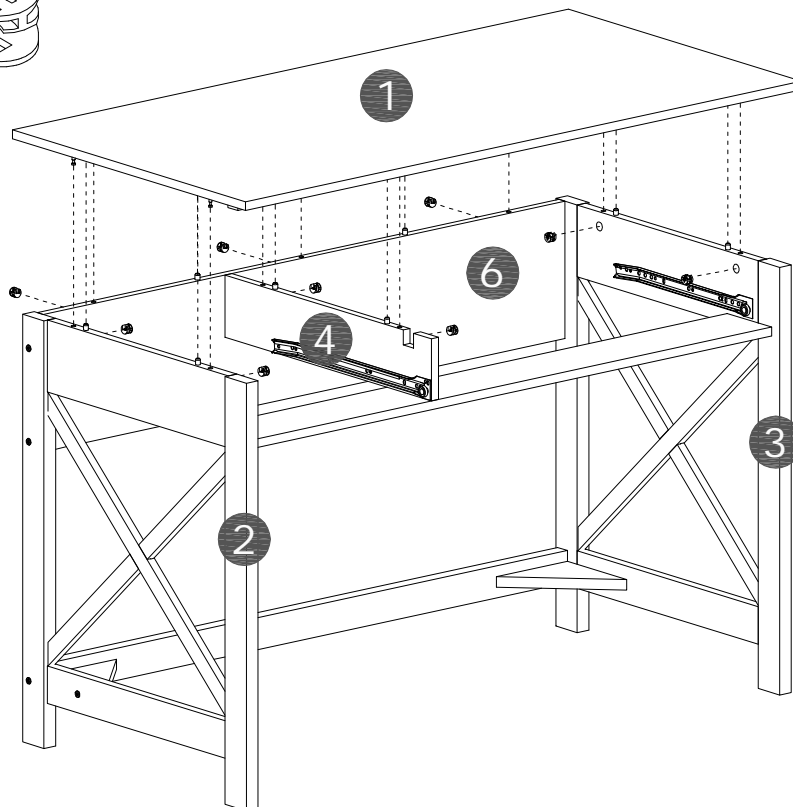
O x 3pcs



STEP 16

With assistant carefully stand unit up.

O x 9pcs



STEP 17

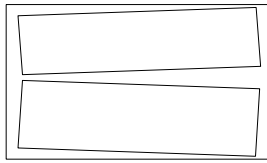
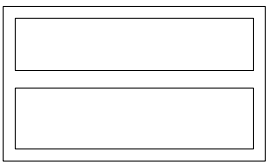
- Move unit to final location.
- Adjust drawer fronts as shown below.

Step1--Loosen screws on back of drawer front brackets as shown.

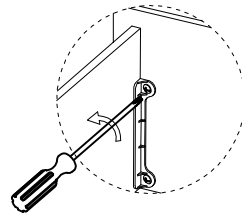
Step2--Position drawer front as required.

Step3--Tighten screws while holding drawer front in position.

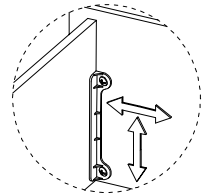
DRAWER FRONT VIEW



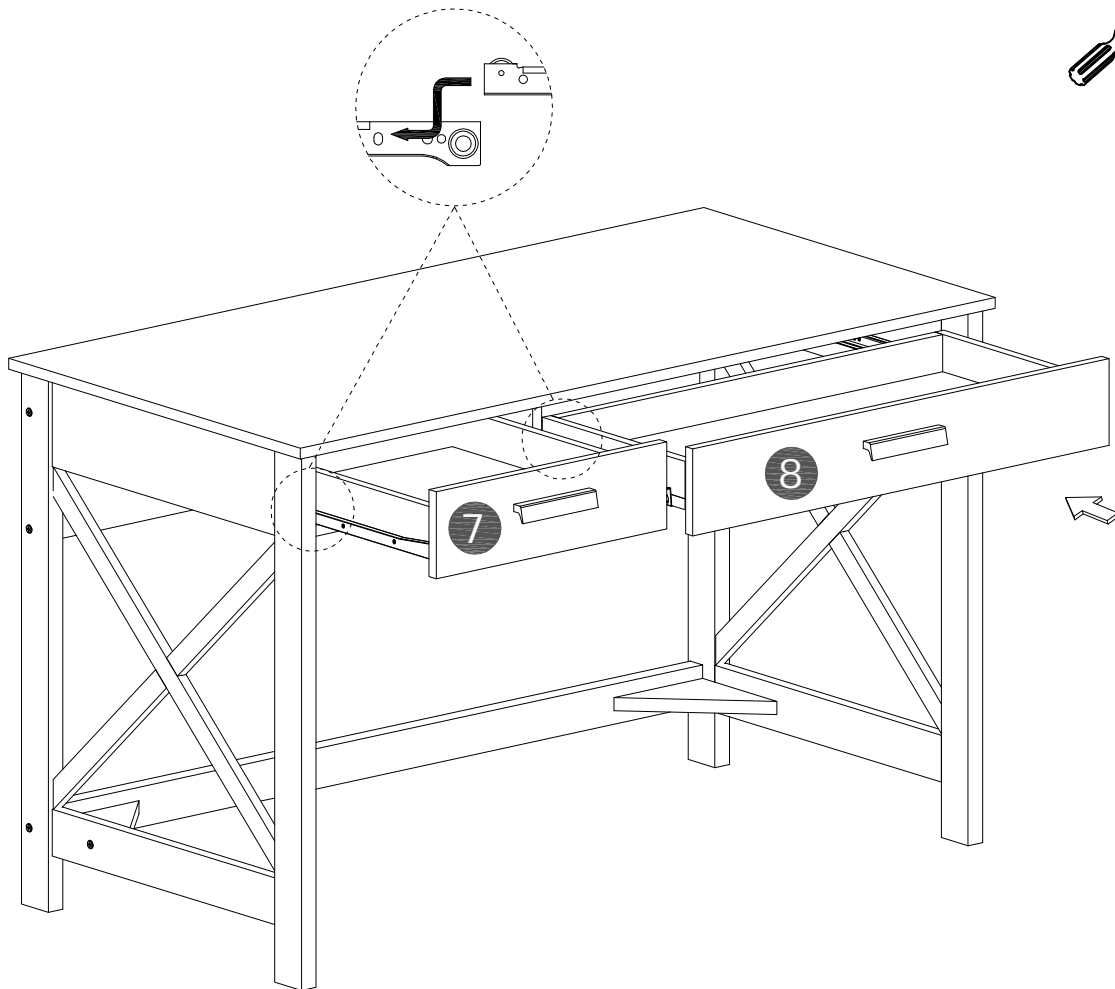
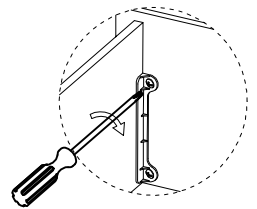
STEP 1.



STEP 2.



STEP 3.



Maximum weight capacities

