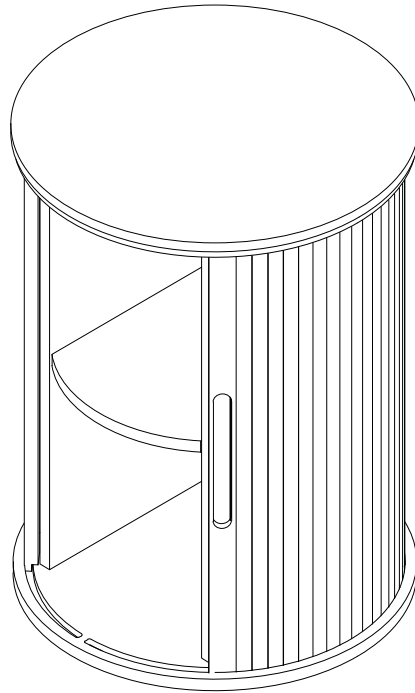
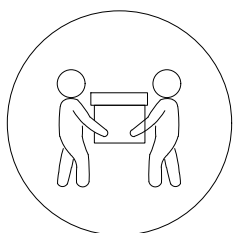


## ASSEMBLY INSTRUCTIONS

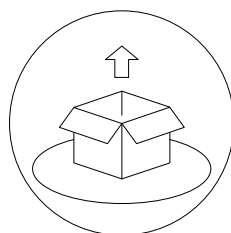


### Notice:

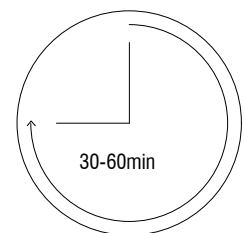
1. Follow the installation instructions. Please confirm all accessories are present before installation.
2. Do not fully tighten the screws during initial assembly. Tighten them completely only after all pieces are correctly aligned.
3. If you encounter any issues during installation, please contact our customer service for assistance.
4. Unbox the item from the side labeled "Open" and lay a protective mat or cloth on the floor to avoid scratches.



Recommended Assembly:  
2 people

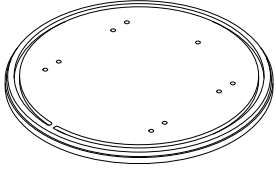

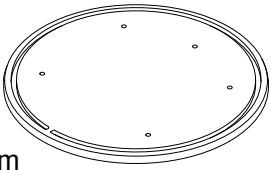
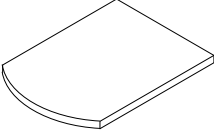
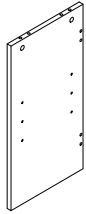
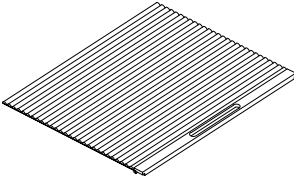
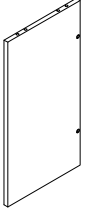


Lay a protective mat  
or cloth

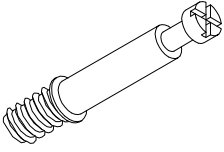
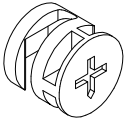
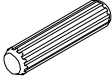
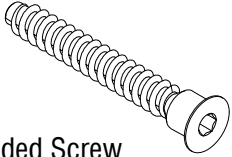


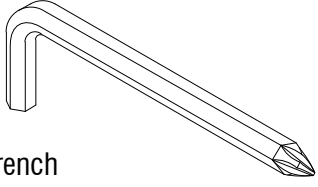
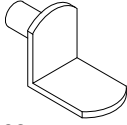
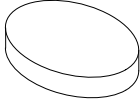
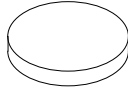
Estimate installation  
time

## Accessories List

Item no.	Reference Image	Qty	Item no.	Reference Image	Qty
1	 <p>Table Top</p>	1	5	 <p>Back Panel</p>	1
2	 <p>Table Bottom</p>	1	6	 <p>Shelf</p>	1
3	 <p>Left Side Panel</p>	1	7	 <p>Apron</p>	2
4	 <p>Right Side Panel</p>	1			

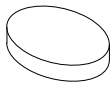
## Hardware List

Item no.	Reference Image	Qty
A	<p>M6*36</p> <p>Cam bolt</p> 	5
B	<p>Ø15*9</p> <p>Cams Fastener</p> 	5
C	<p>Ø8*30</p> <p>Wood Dowels</p> 	8
D	<p>M7*50</p> <p>Cross-threaded Screw</p> 	9

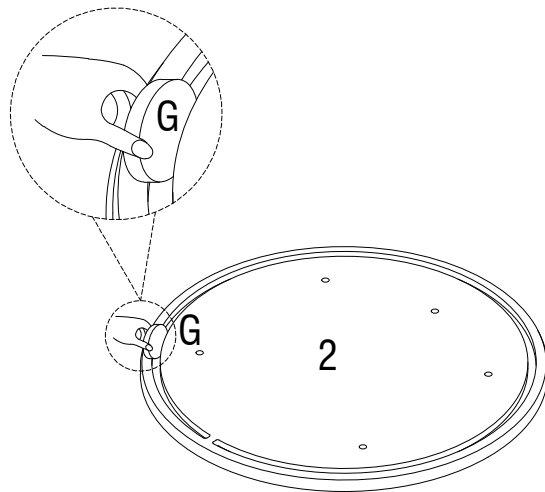
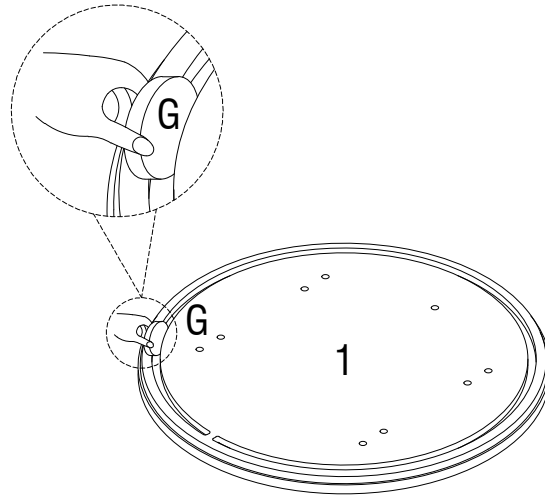
Item no.	Reference Image	Qty
E	<p>4</p> <p>Allen Wrench</p> 	1
F	<p>Ø6*10</p> <p>Shelf Support Pins</p> 	4
G	<p>42*31*7</p> <p>Wax Block</p> 	1
H	<p>Ø25*3</p> <p>Flannelette</p> 	6

## ASSEMBLY INSTRUCTIONS

1



G 1pc




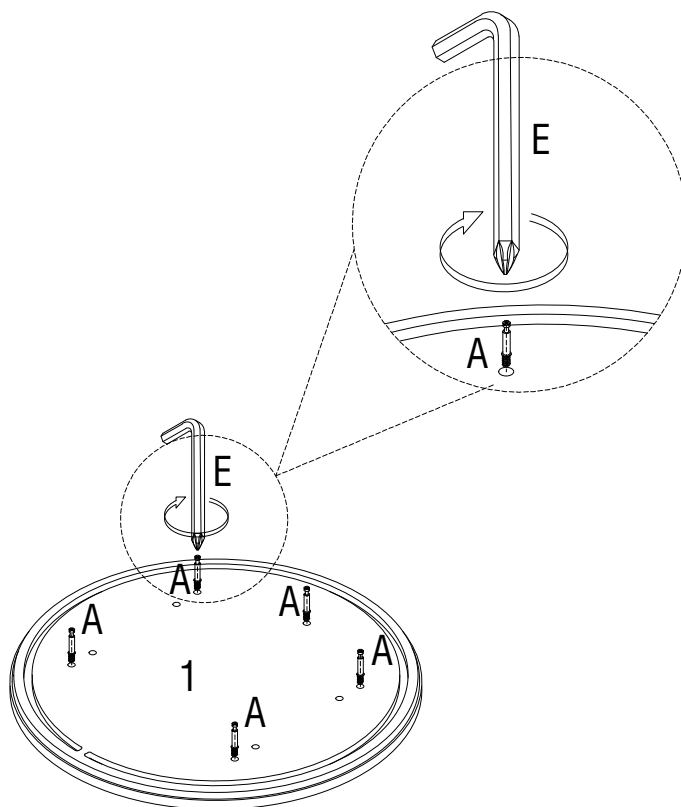
Apply wax block (G) to smooth the sliding grooves of  
Table Top (1) and Table Bottom (2)

## ASSEMBLY INSTRUCTIONS

2

  
A 5pcs

  
E 1pc

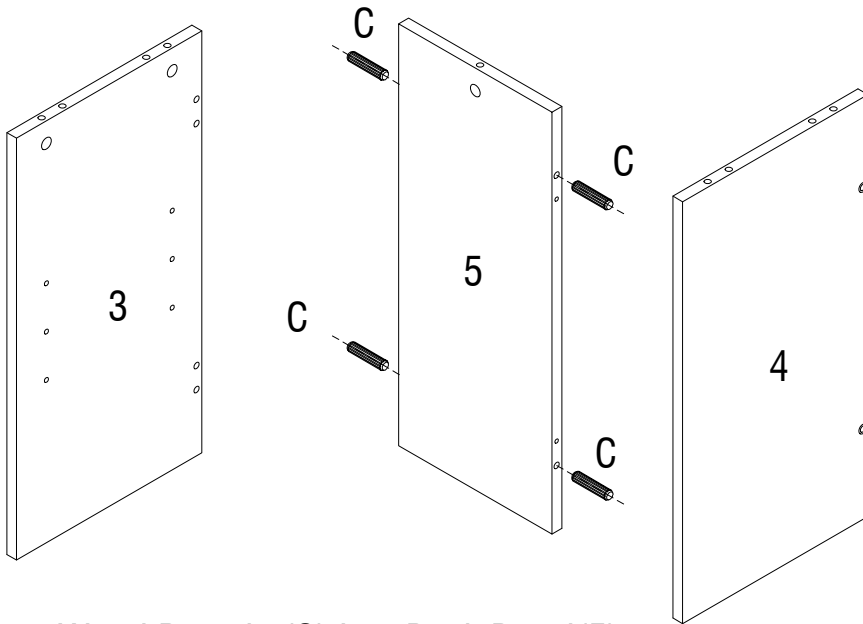


Install Cam Post (A) into threaded inserts in  
end table Top (1)

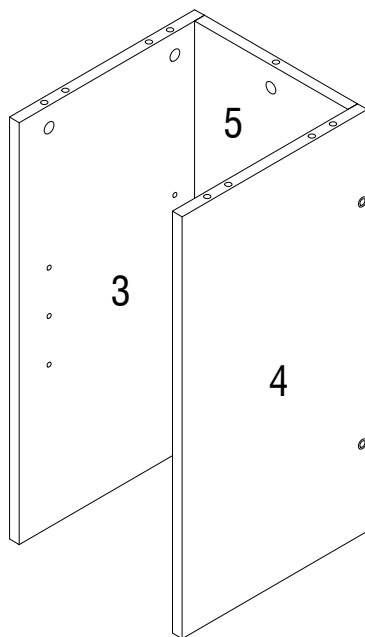
## ASSEMBLY INSTRUCTIONS

3

  
C 4pcs



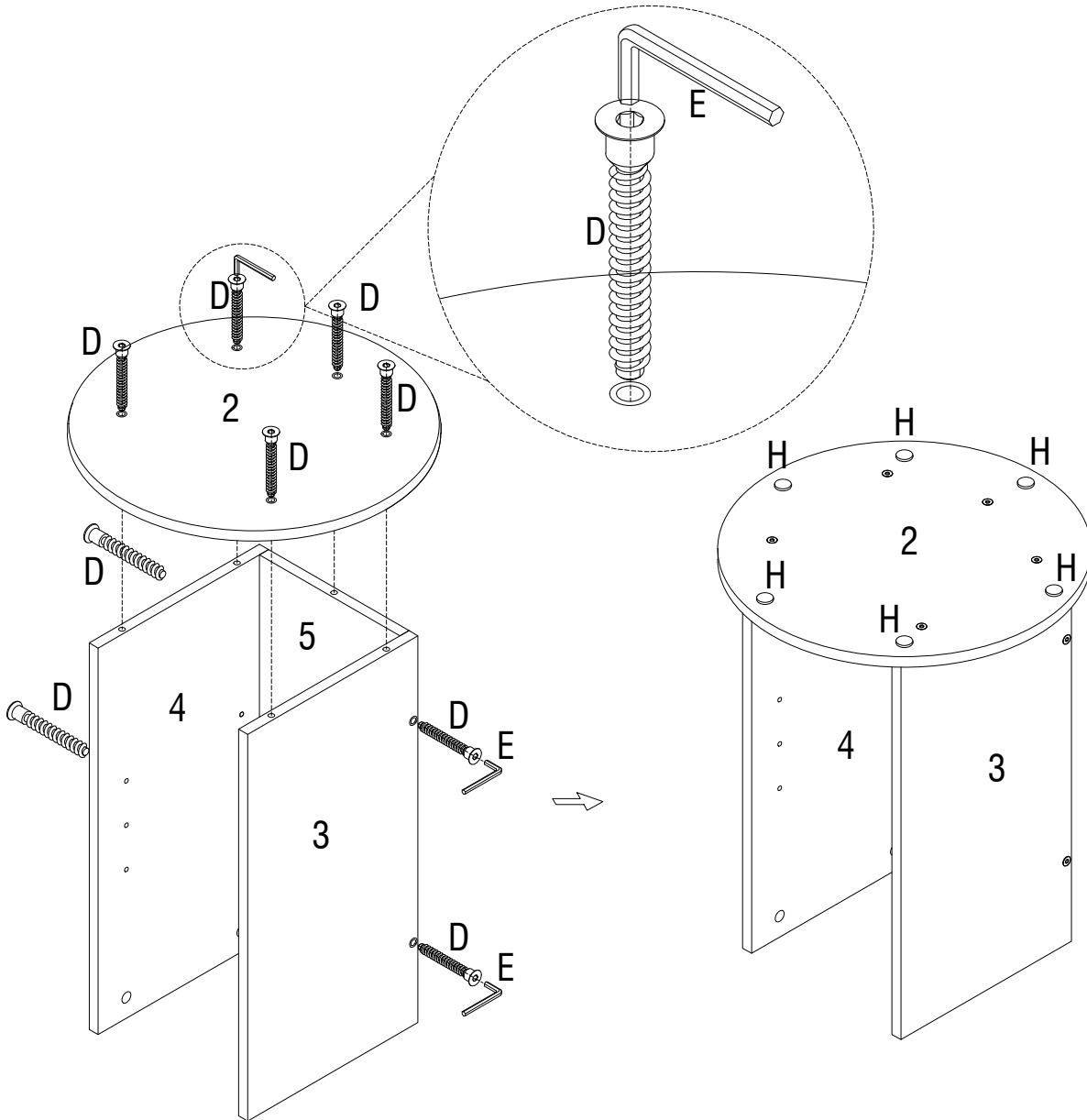
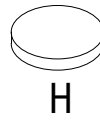
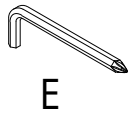
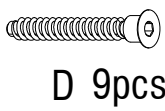
Insert Wood Dowels (C) into Back Panel(5).



Assemble the Side panel (3),(4) and Back Panel (5) together according to the diagram.

## ASSEMBLY INSTRUCTIONS

4



Tighten Cross-threaded Screw (D) with Allen Key (E), and lock Table Bottom (2) and lock Side Panel (3)(4), Back Panel (5).

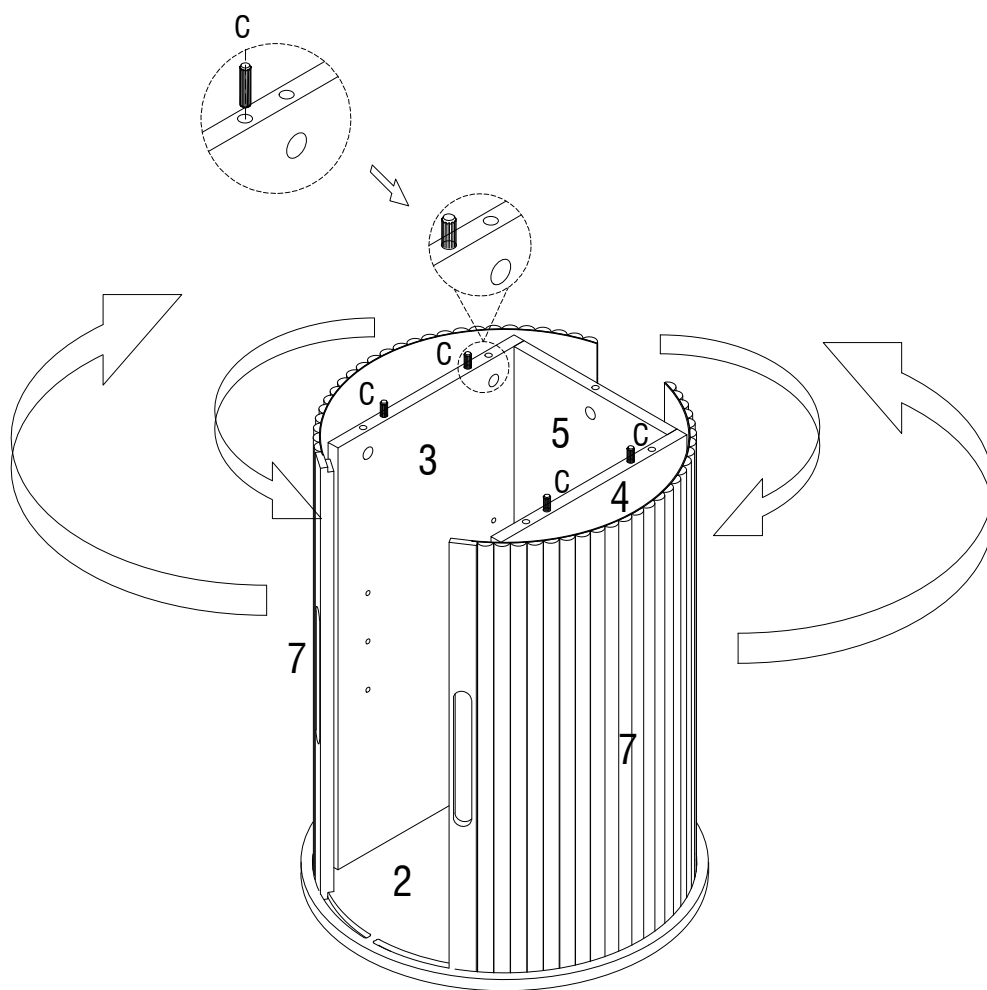
Attach the flannelette to the Table Bottom (2).

## ASSEMBLY INSTRUCTIONS

5

  
C 4pcs

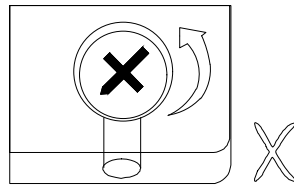
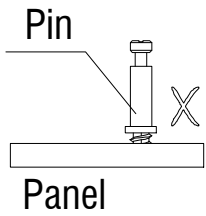
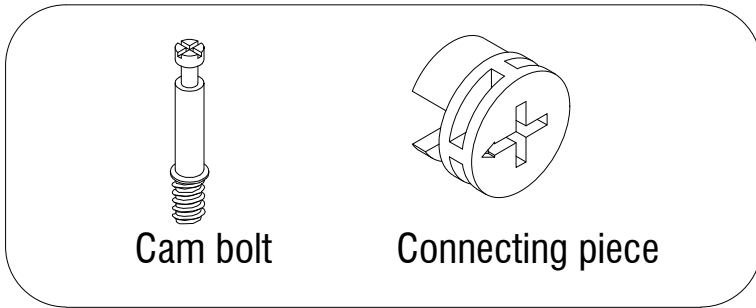
Insert Wood Dowels (C) into Side Panel (3)(4).



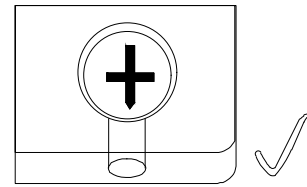
Insert the Apron (7) into the groove of Table Bottom (2) according to the diagram, and rotate it clockwise and counterclockwise to make it flat .

# ASSEMBLY INSTRUCTIONS

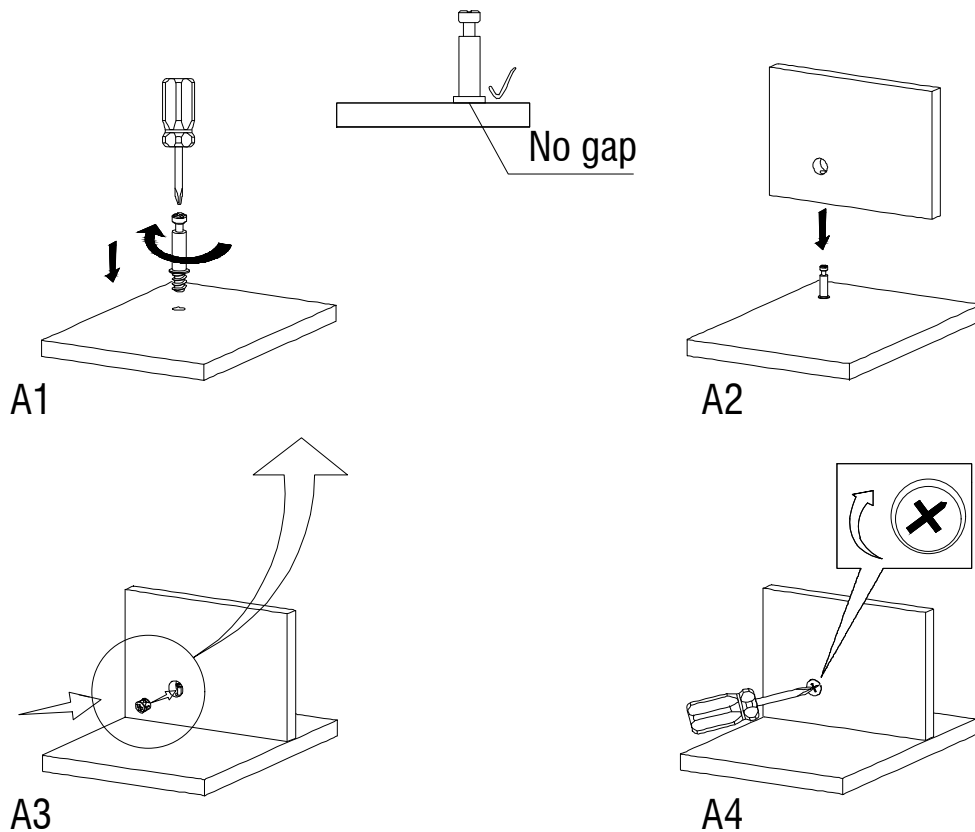
## CAM BOLT INSTALLATION AS BELOW:



Rotate connecting piece if found in the position illustrated above.



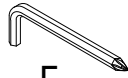
Correct orientation to receive bolts.



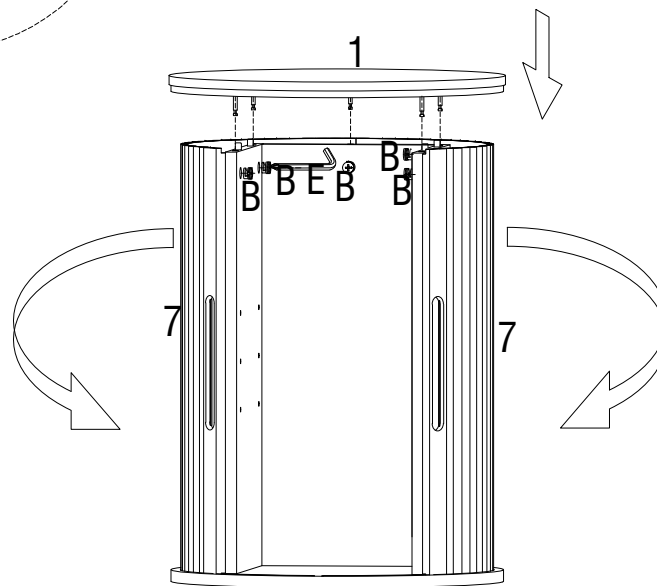
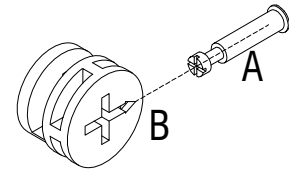
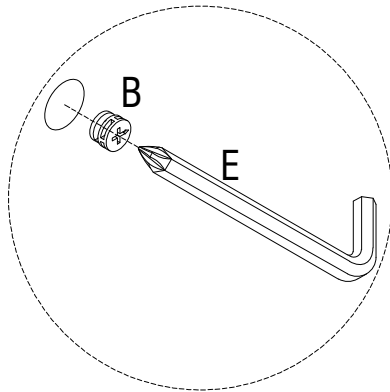
## ASSEMBLY INSTRUCTIONS

6

  
B 5pcs

  
E

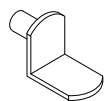
NOTE: The arrow on the face of the Cam (B) should point towards the Cam Post (A) for proper alignment.



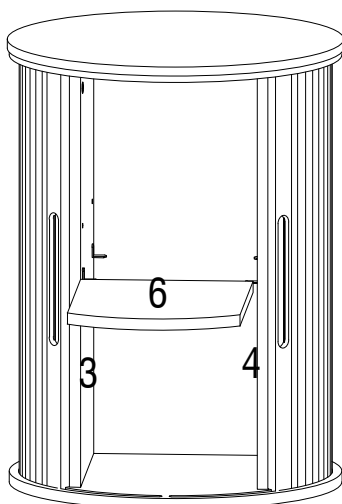
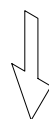
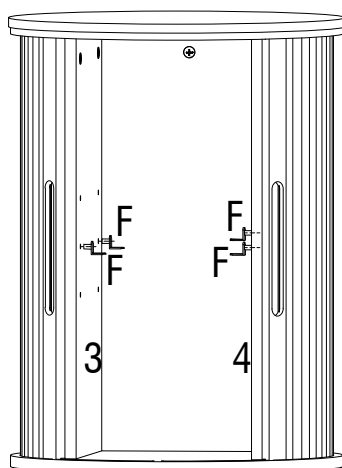
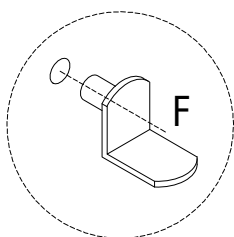
Align Table Top (1) with the hole position and move it downwards, while simultaneously rotating it by Apron (7) so that its upper end fit into the grooves of Table Top (1) Turning Cams Fastener(B) and make it secure.

# ASSEMBLY INSTRUCTIONS

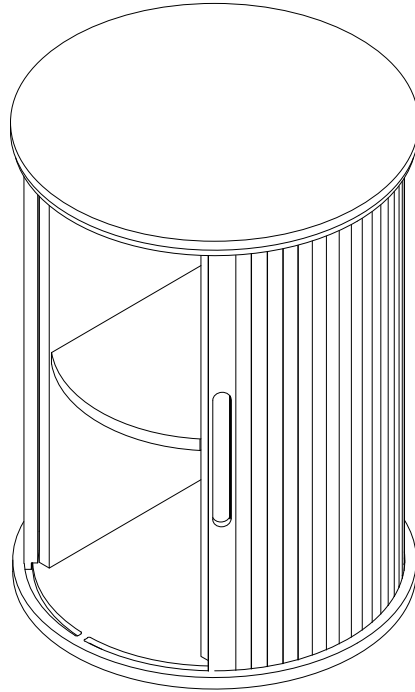
7



F 4pcs



Install Shelf Support Pins (F) into Left and Right Side Panel (3),(4).  
Install Moveable Shelf (6).

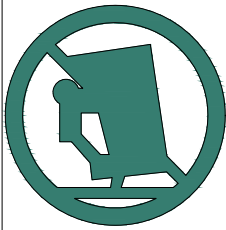


### General care and maintenance.

Please clean with a damp cloth or mild detergent, do not use bleach or abrasive cleaners. Do not allow the spill to stay on the surface for a long time. Do not clean with products containing the following: acetone (e.g., nail varnish remover), ammonia (e.g.bleach), or sodium hydroxide(e.g., caustic soda, drain, and oven cleaners). If the product is accidentally exposed to the irritating liquid, rinse thoroughly with clean water. Please check whether there are missing screws in the product regularly. The product should not be discarded with household waste, and please take it to your local authority waste disposal center.



# WARNING



Never allow children to climb or hang on the end table. Do not place heavy items on the end table, as this may cause the end table to tip over.