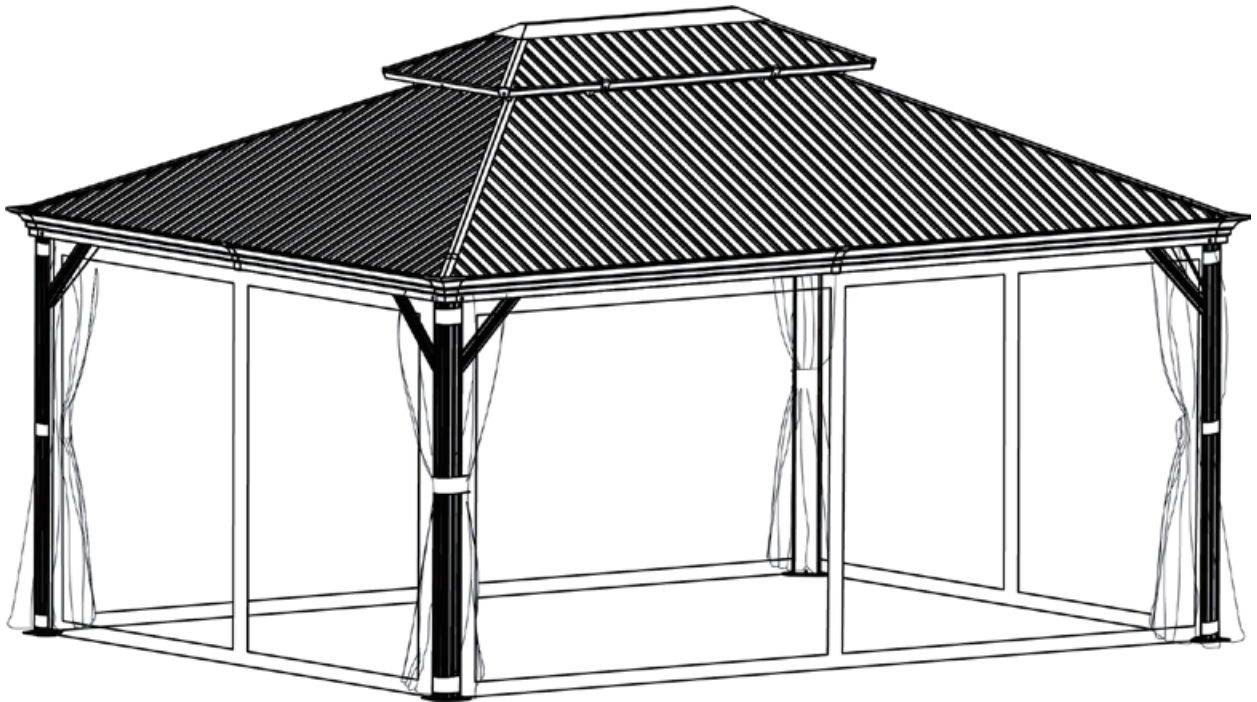



Sunset Gazebo



BELLEZE

FOLLOW US:	CONTACT INFO:	ITEM NO. 014-HG-14099
 @bellezefurniture	support@belleze.com 1-800-682-6376	The instruction booklet contains IMPORTANT safety information. Please read it in full and keep it for future reference.

www.belleze.com

Scan this QR Code
to view our online tutorial



Estimated time for assembly:

8 hrs



Assemble the furniture on an empty carton, carpet, or rug to prevent scratches or damage.

For safety, please keep pets and children away from the assembly area.

Ensure the product is fully assembled before use. If you are missing any hardware or products, do not use it until you have restored the missing parts.



This furniture requires 3 people for assembly.

Read this instruction manual prior to assembly to familiarize yourself with the various steps.

Lay out all components and hardware separately on a flat surface and make sure that no parts are missing or damaged before assembly. Do not destroy or discard any packaging until you are certain that you have all the necessary parts for assembly.

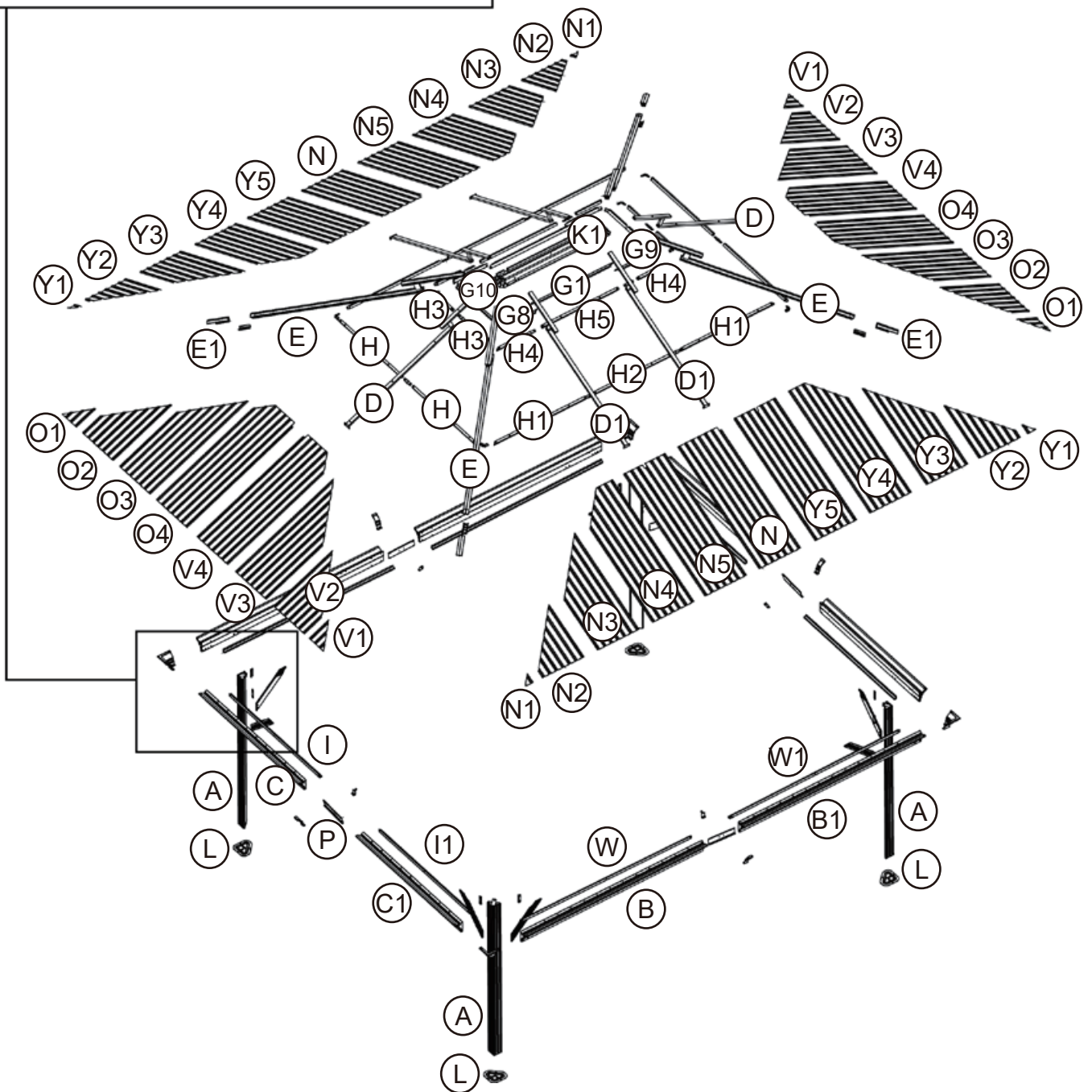
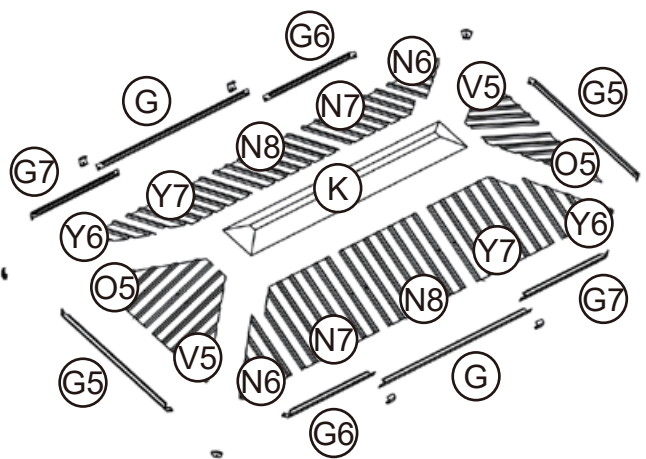
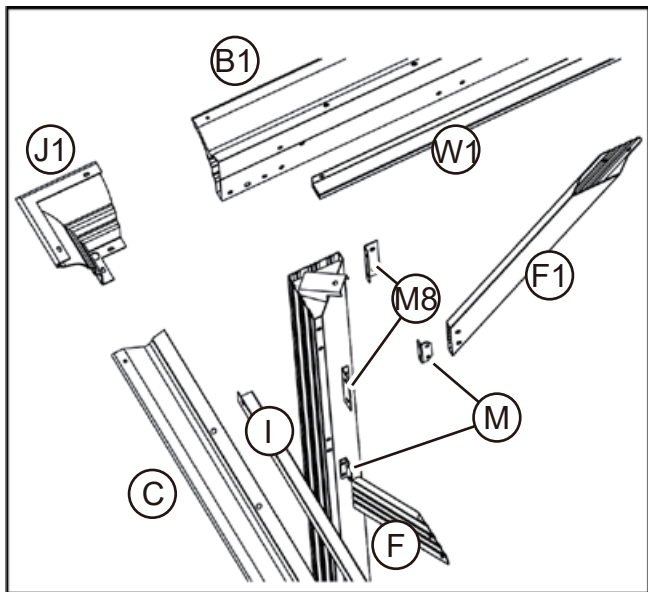
Hand tight all hardware and careful not to over tighten to avoid damaging the product.

CAUTION

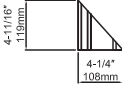
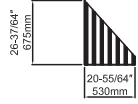
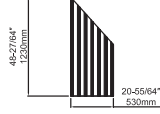
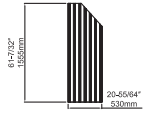
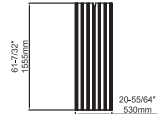
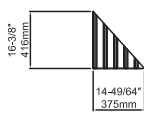
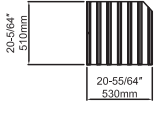
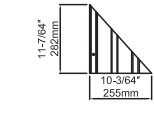
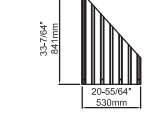
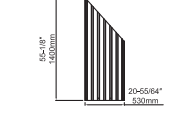
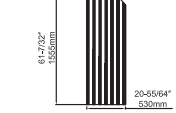
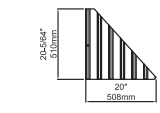
There are small components used in the construction of this product. Loose items should be kept away from pets and children to avoid a choking hazard.

Keep all plastic bags and packaging film away from pets and children to avoid suffocation.

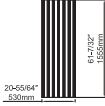
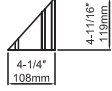
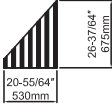
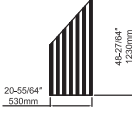
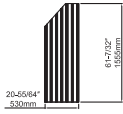
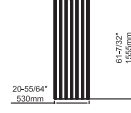
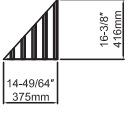
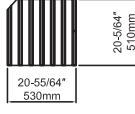
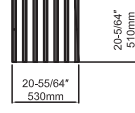
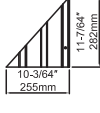
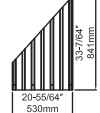
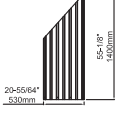
PACKAGE CONTENTS



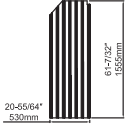
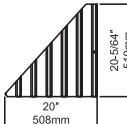










PACKAGE CONTENTS

CODE	DESCRIPTION	PART	QTY	CTN
Y1	Roof Panel		2	A
Y2	Roof Panel		2	A
Y3	Roof Panel		2	A
Y4	Roof Panel		2	A
Y5	Roof Panel		2	A
Y6	Roof Panel		2	A
Y7	Roof Panel		2	A
V1	Roof Panel		2	A
V2	Roof Panel		2	A
V3	Roof Panel		2	A
V4	Main Post		2	A
V5	Main Beam		2	A














PACKAGE CONTENTS

CODE	DESCRIPTION	PART	QTY	CTN
N	Roof Panel		2	B
N1	Roof Panel		2	B
N2	Roof Panel		2	B
N3	Roof Panel		2	B
N4	Roof Panel		2	B
N5	Roof Panel		2	B
N6	Roof Panel		2	B
N7	Roof Panel		2	B
N8	Roof Panel		2	B
01	Roof Panel		2	B
02	Main Post		2	B
03	Main Beam		2	B





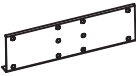




PACKAGE CONTENTS

CODE	DESCRIPTION	PART	QTY	CTN
04	Roof Panel	 20'-6 5/8" 530mm 8'-7 3/8" 156mm	2	B
05	Roof Panel	 20'-5 1/8" 510mm 20'-5 1/8" 510mm	2	B
A	Main Post	 81'-57/64" 2080mm	4	C
B,B1	Long Main Beam	 91'-17/32" 2325mm	2 / each	D
C, C1	Short Main Beam	 67'-33/64" 1715mm	2 / each	D
D	Roof Support Beam	 75" 1905mm	2	C
D1	Roof Support Beam	 75" 1905mm	4	C
E	Diagonal Support Bar	 94'-1/64" 2388mm	4	E
E1	Diagonal Support Bar Extension	 9'-9/64" 232mm	4	E
F1,F1	Diagonal Brace	 21'-47/64" 552mm	4 / each	E
G	Sub Roof Edge	 41'-11/32" 1050mm	2	E
G1	Main Roof Edge	 41'-11/32" 1050mm	2	E

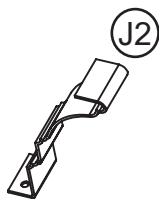
PACKAGE CONTENTS

CODE	DESCRIPTION	PART	QTY	CTN
G5	Sub Roof Edge	 39-9/16" 1005mm	2	E
G6	Sub Roof Edge	 24-7/32" 615mm	2	E
G7	Sub Roof Edge	 24-7/32" 615mm	2	E
G8	Main Roof Edge	 17-23/32" 450mm	2	E
G9	Main Roof Edge	 17-23/32" 450mm	2	E
G10	Main Roof Edge	 26-31/32" 685mm	2	E
H	Main Roof Support	 42-41/64" 1083mm	4	E
H1	Main Roof Support	 46-37/64" 1183mm	4	E
H2	Main Roof Support	 38-37/64" 980mm	2	E
H3	Sub Roof Support	 9-7/32" 234mm	4	E
H4	Sub Roof Support	 13-7/64" 333mm	4	E
H5	Sub Roof Support	 38-37/64" 980mm	2	E
I, I1	Short Curtain Rail	 60-55/64" 1546mm	2 / each	E

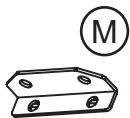
PACKAGE CONTENTS

CODE	DESCRIPTION	PART	QTY	CTN
J1	Roof Corner Cap		4	E
K	Roof Finial		1	C
K1	Central Hub		1	C
L	Anchor Plate		4	C
P	Beam Connection Plate		4	E
W,W1	Long Curtain Rail	 84-7/8" 2156mm	2 / each	E
Z	Outer Curtain		1	E
Z1	Gauze Curtain		1	E
Z2	Net Screen		1	E

PACKAGE CONTENTS



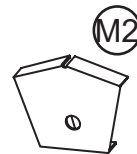
4x



8x



4x



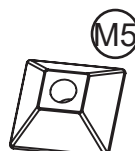
4x



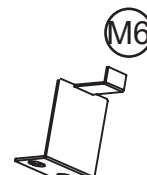
12x



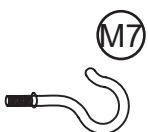
8x



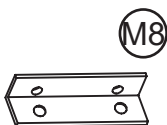
138x + 13x



4x



3x



8x



4x



4x



96x + 4x



32x + 3x



228x + 10x



16x + 1x



Install all hardware perpendicular to the opening.

PACKAGE CONTENTS



88x + 5x



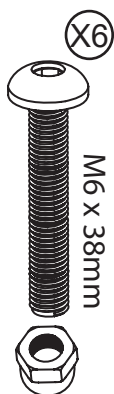
4x+1x



16x + 1x



46x + 4x



4x+1x



32x + 3x



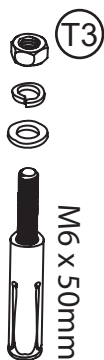
32x + 3x



12x + 1x



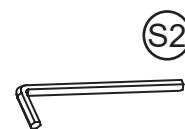
12x



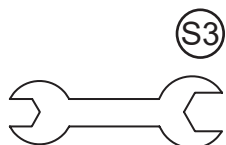
12x



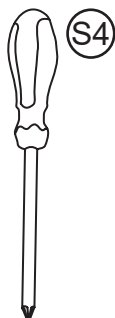
1x



1x



1x

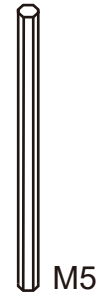
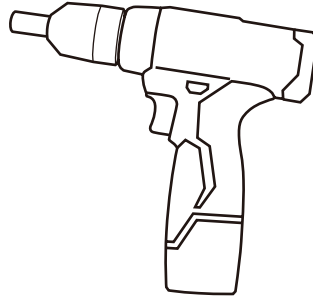
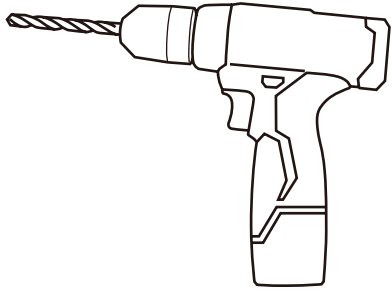
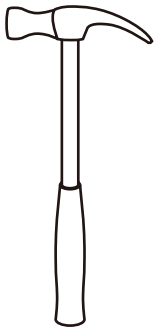


1x



Install all hardware perpendicular to the opening.

Required tools for assembly (Not included)



5/16"
8mm

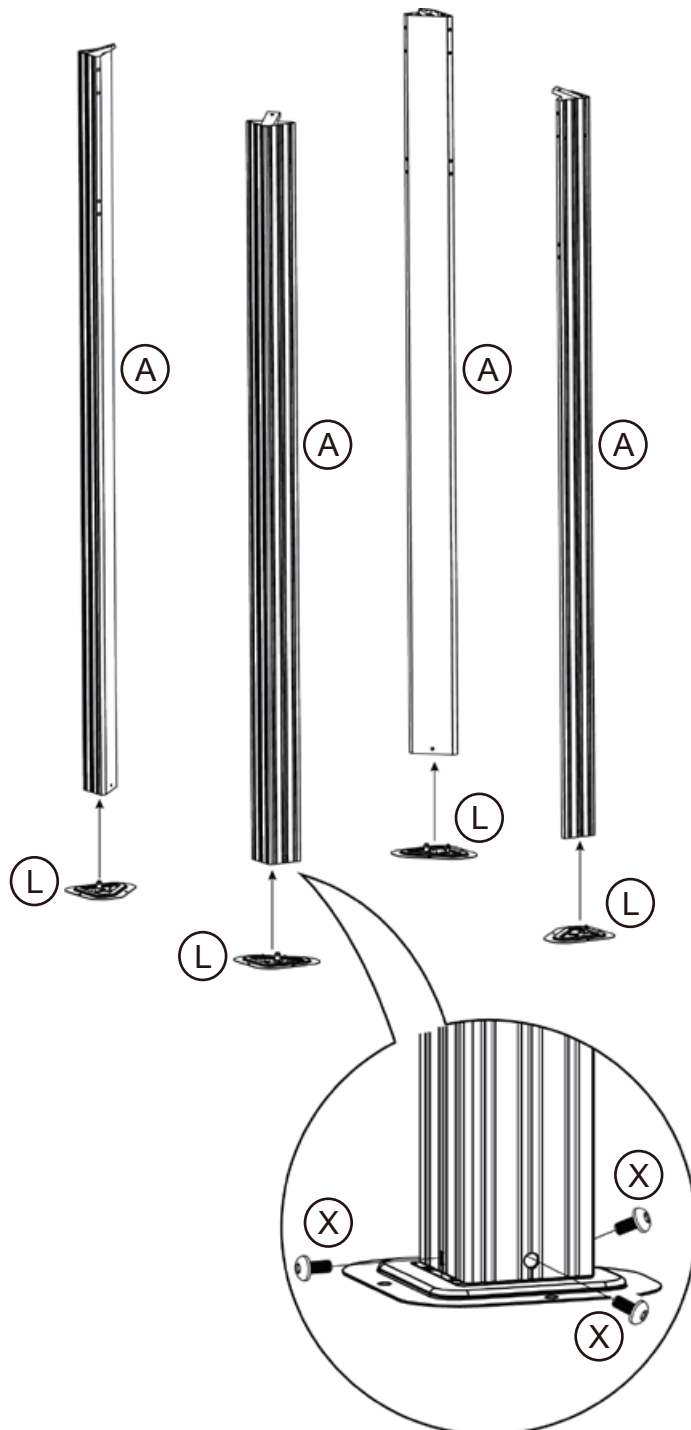


M6



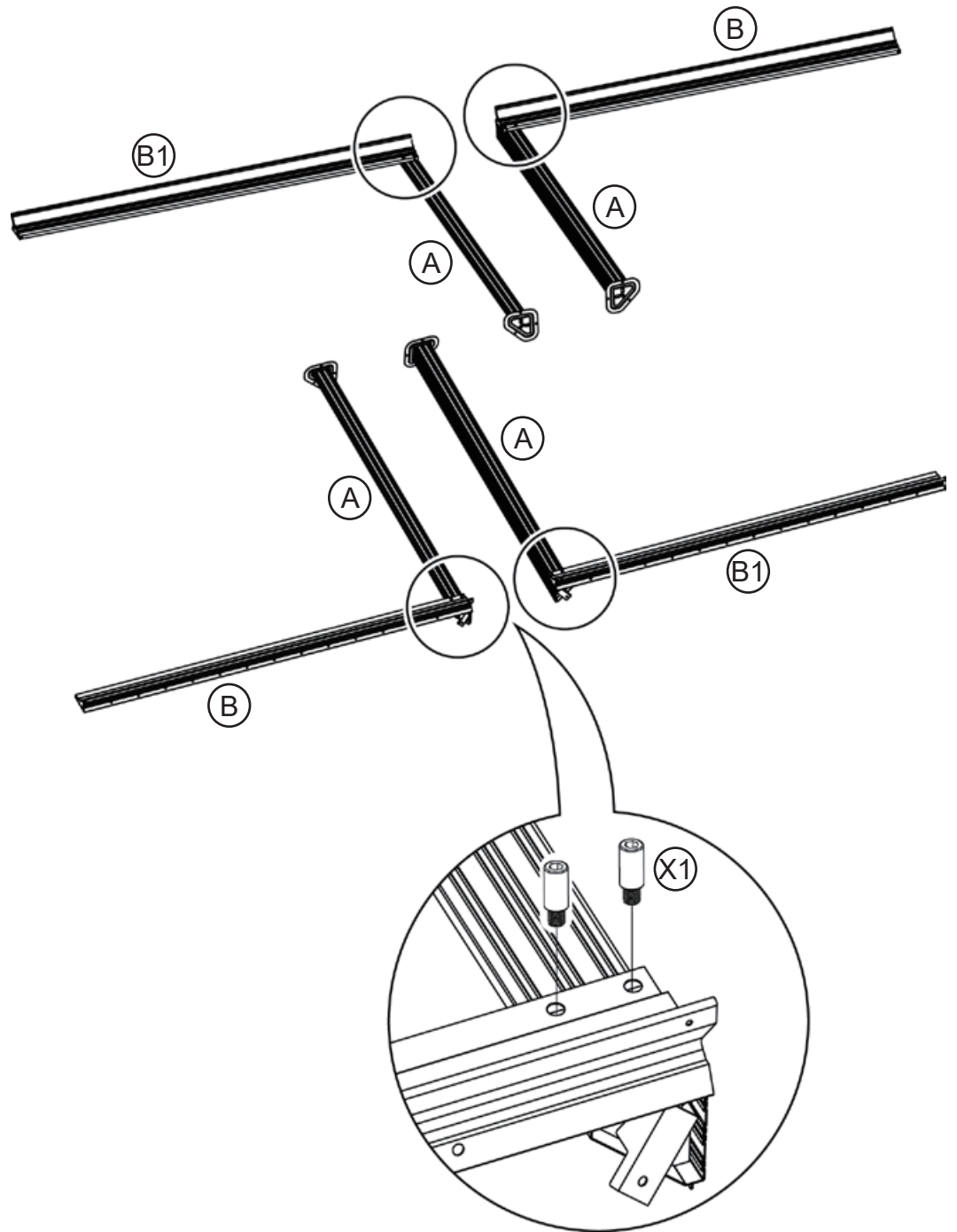
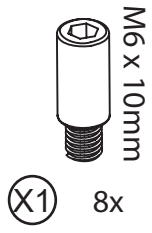
1

Attach anchor plates (L) to the main posts (A).



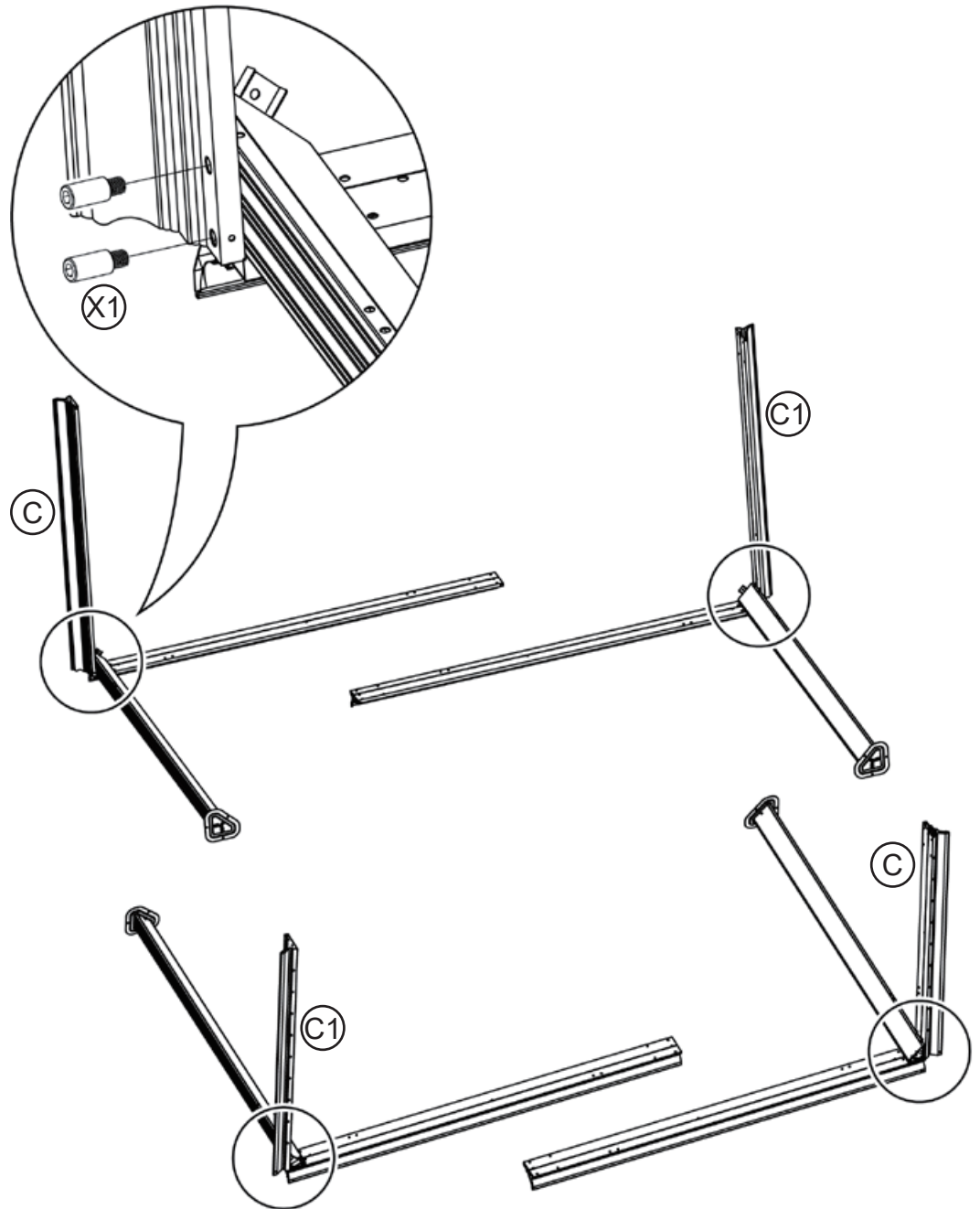
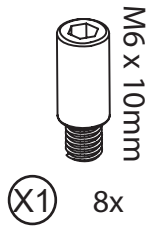
2

Assemble long main beams (B / B1) to the main posts (A).



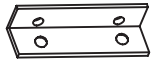
3

Assemble short main beams (C / C1) to the main posts (A).

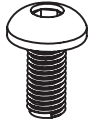


4

Secure main beams to the main posts with corner connectors.



(M8) 8x



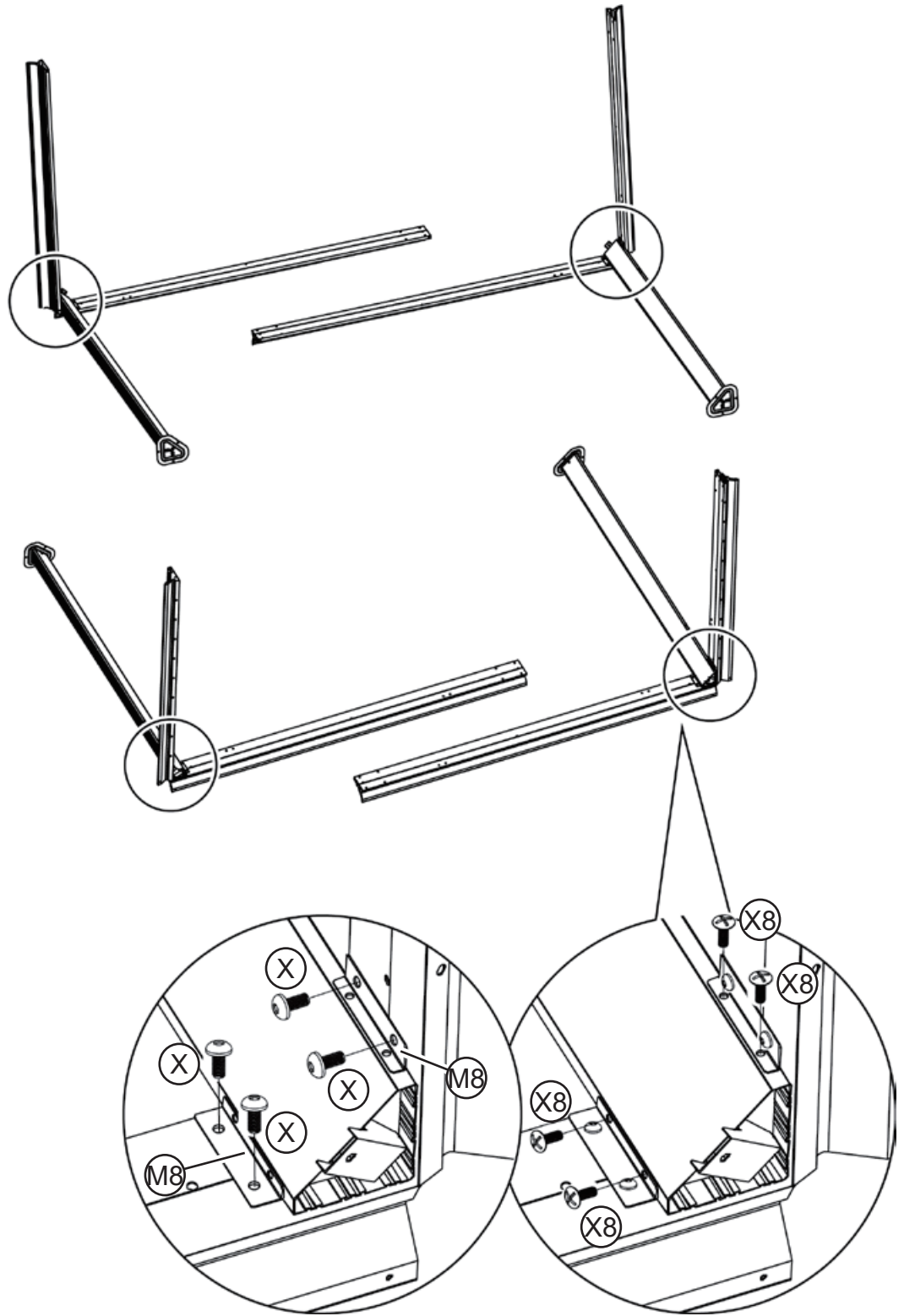
(X) 16x



(X8) 16x

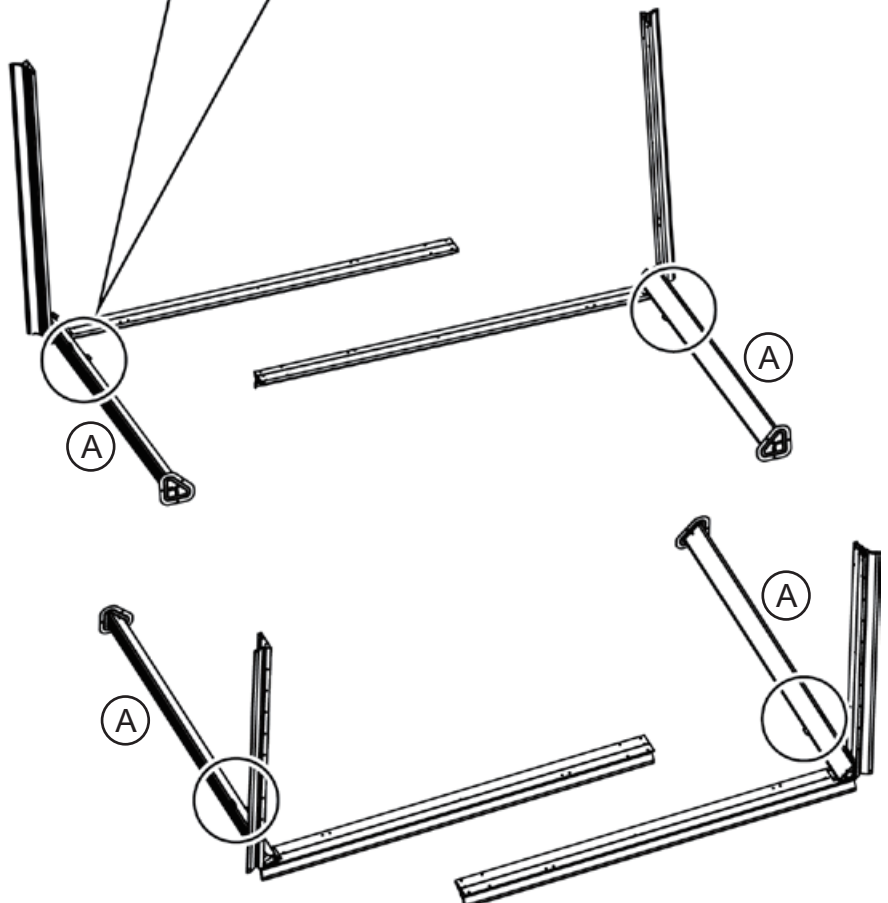
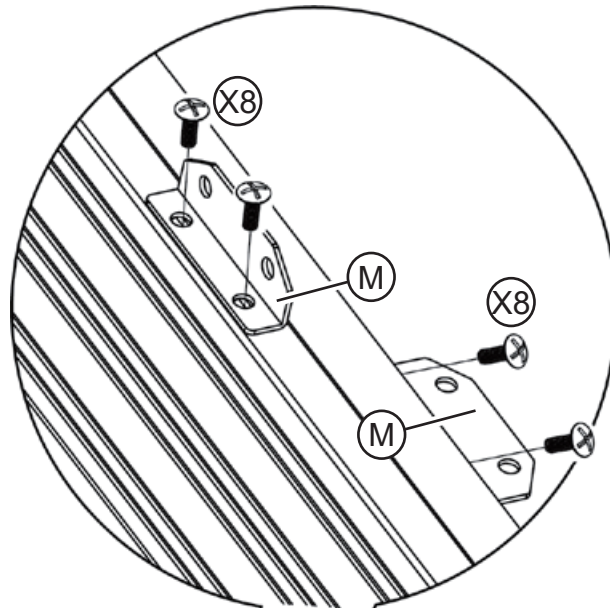
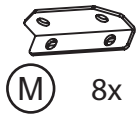
M6 x 15mm

M5 x 15mm



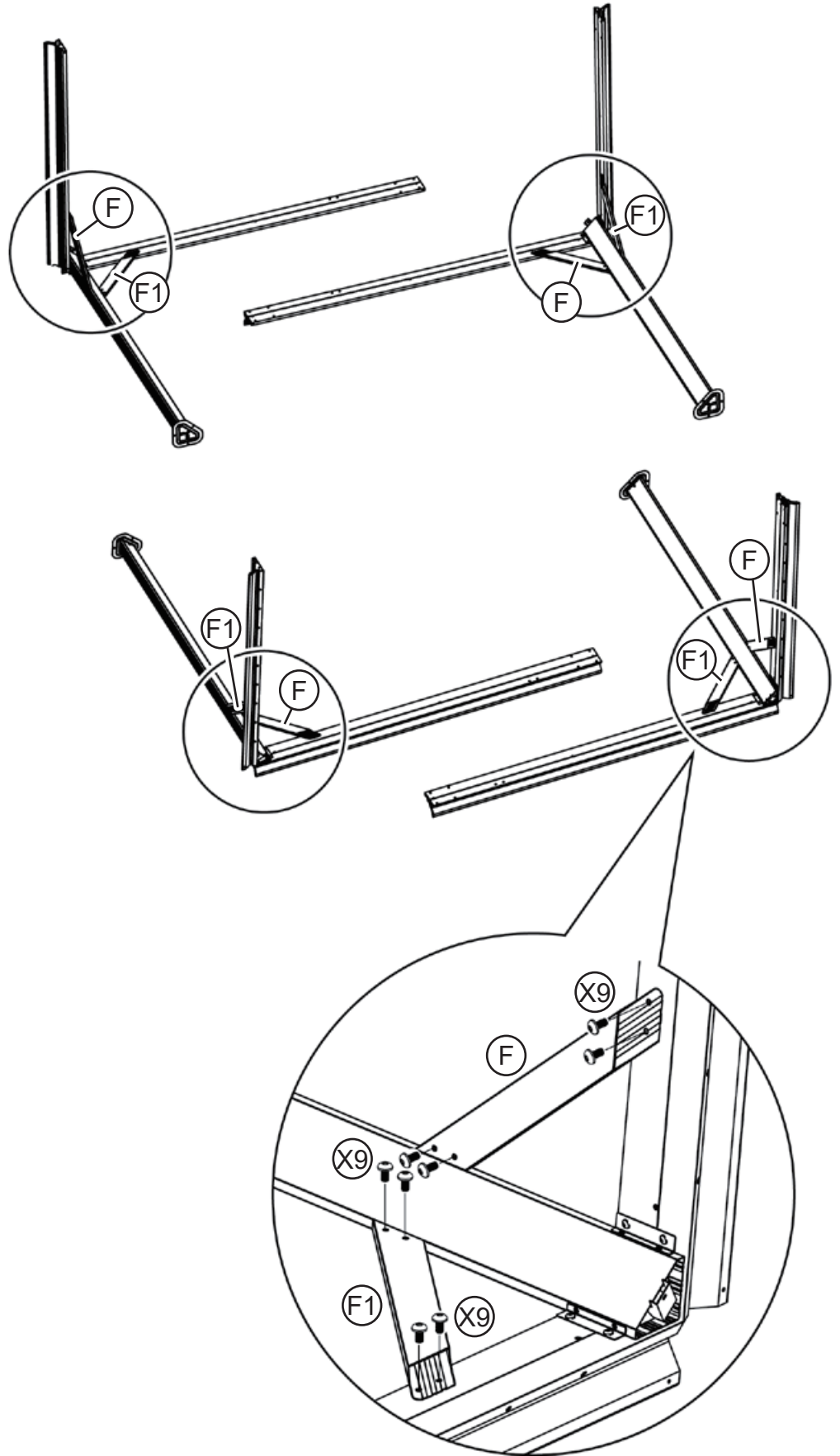
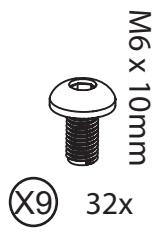
5

Attach brace connectors to the main posts.



6

Attach diagonal braces (F, F1) between main beams and main post.

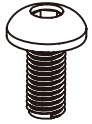


7

Connect long main beams (B, B1) with connection plate (P).

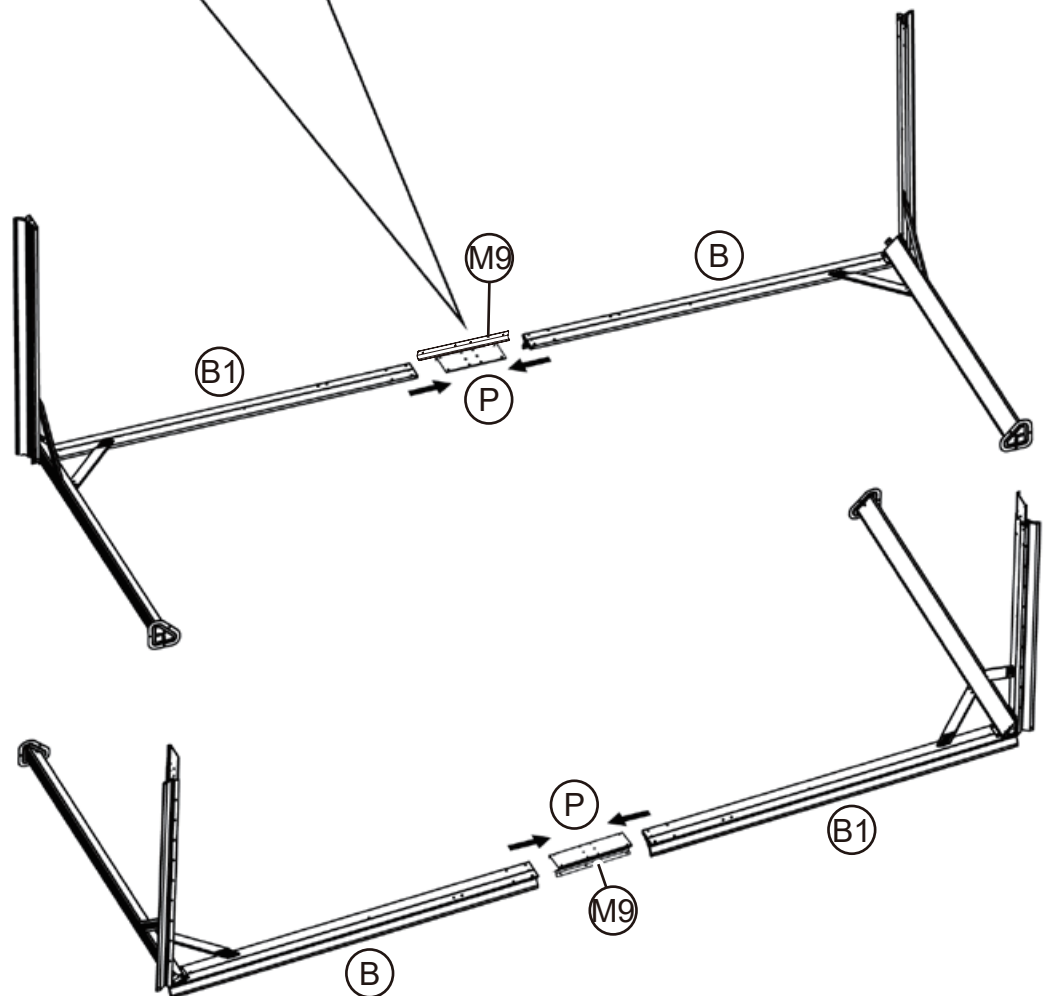
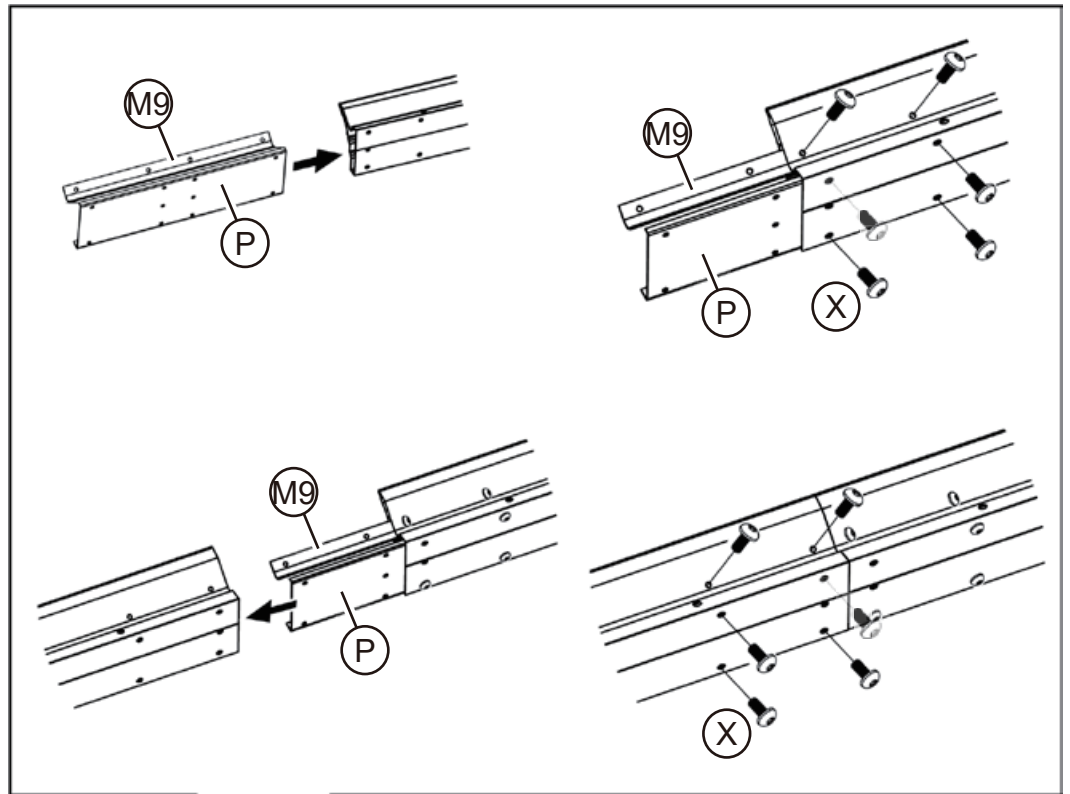


(M9) 2x



M6 x 15mm

(X) 24x

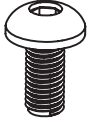


8

Connect short main beams (C, C1) with connection plate (P).

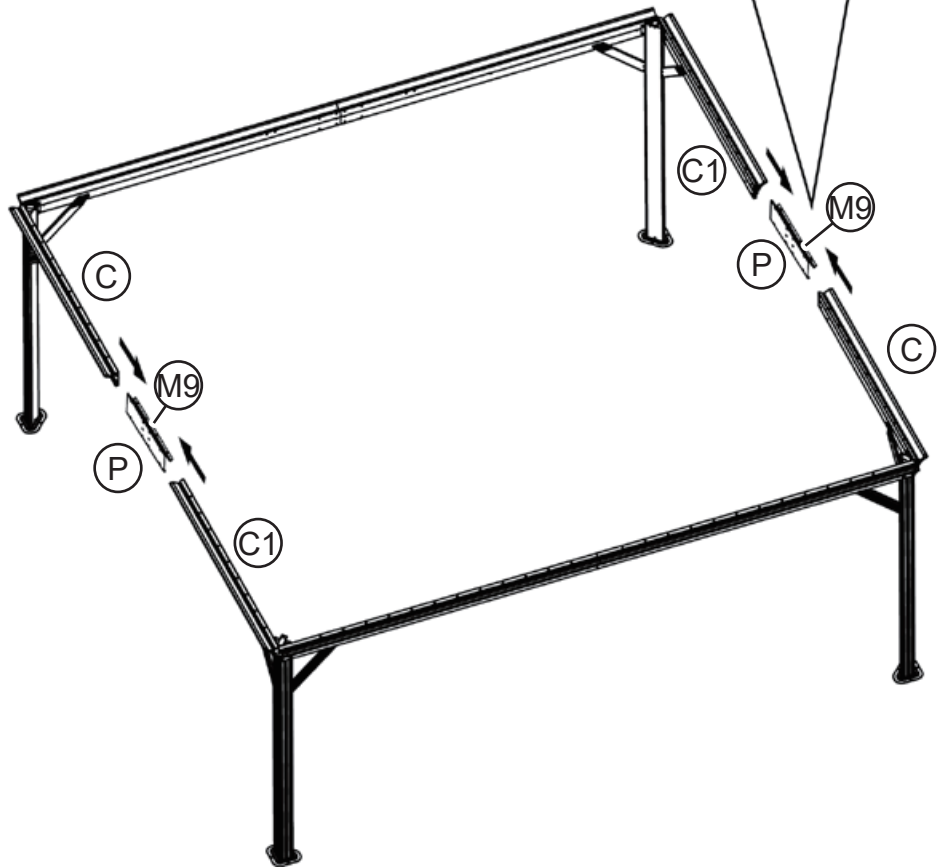
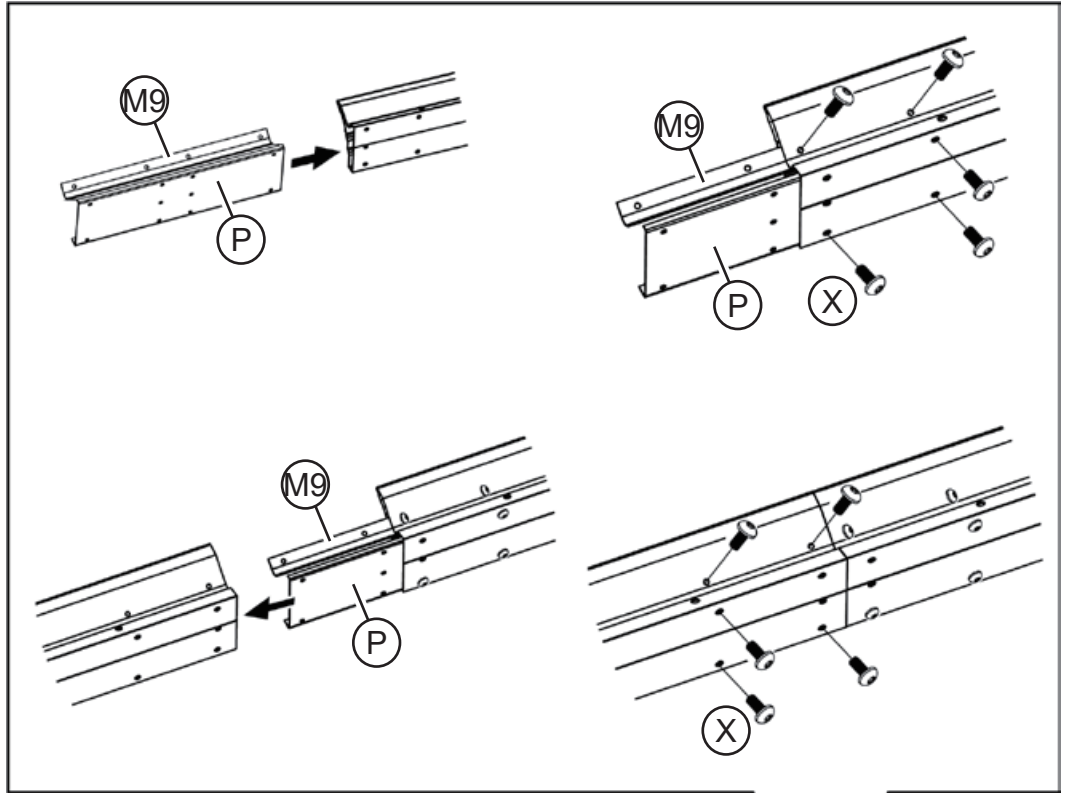


(M9) 2x



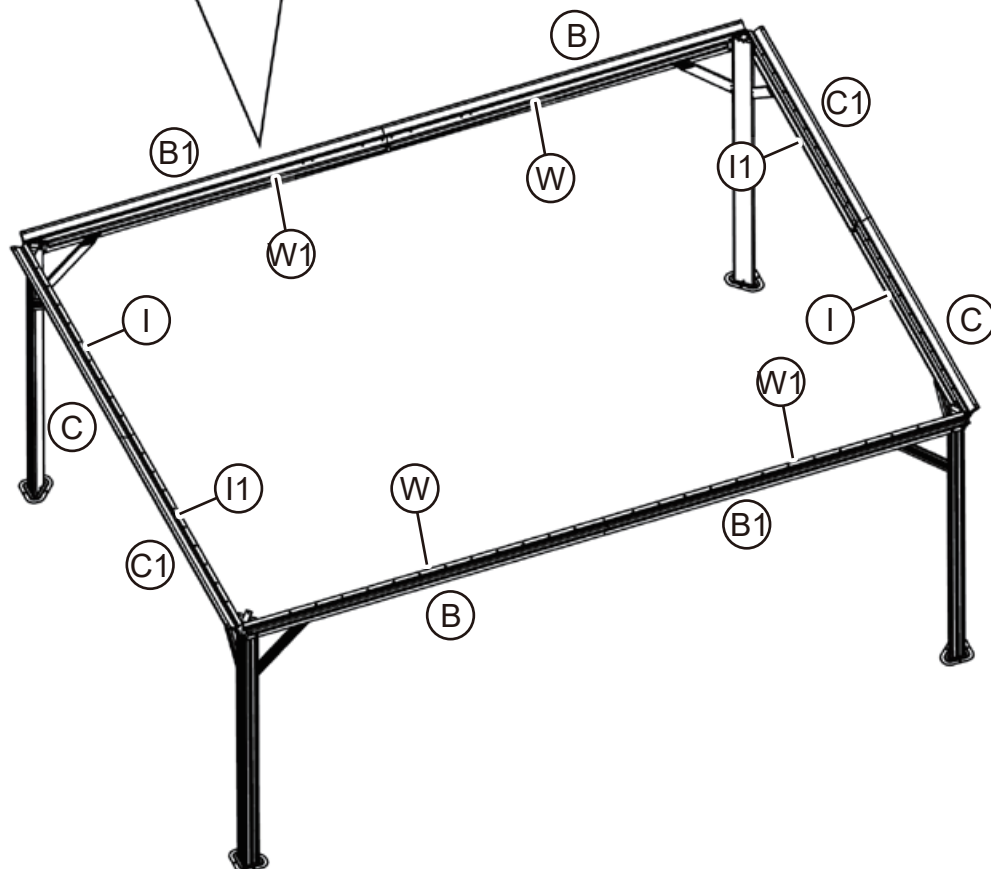
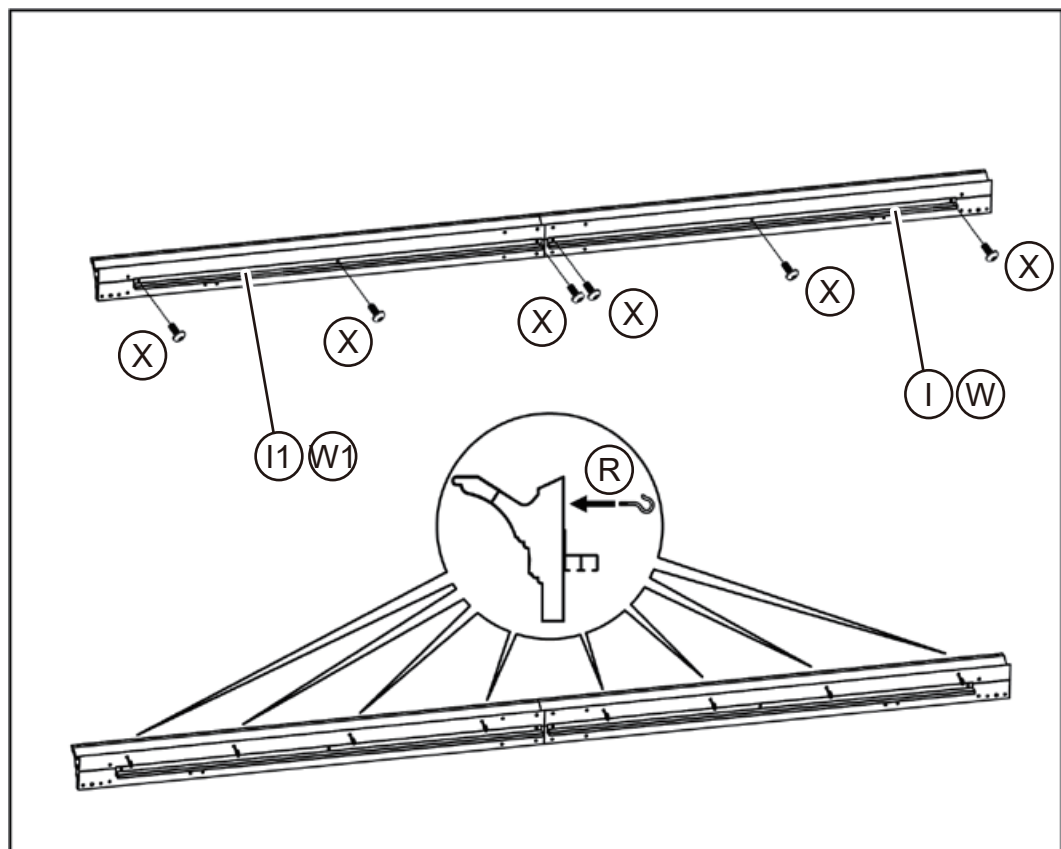
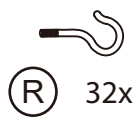
M6 x 15mm

(X) 20x



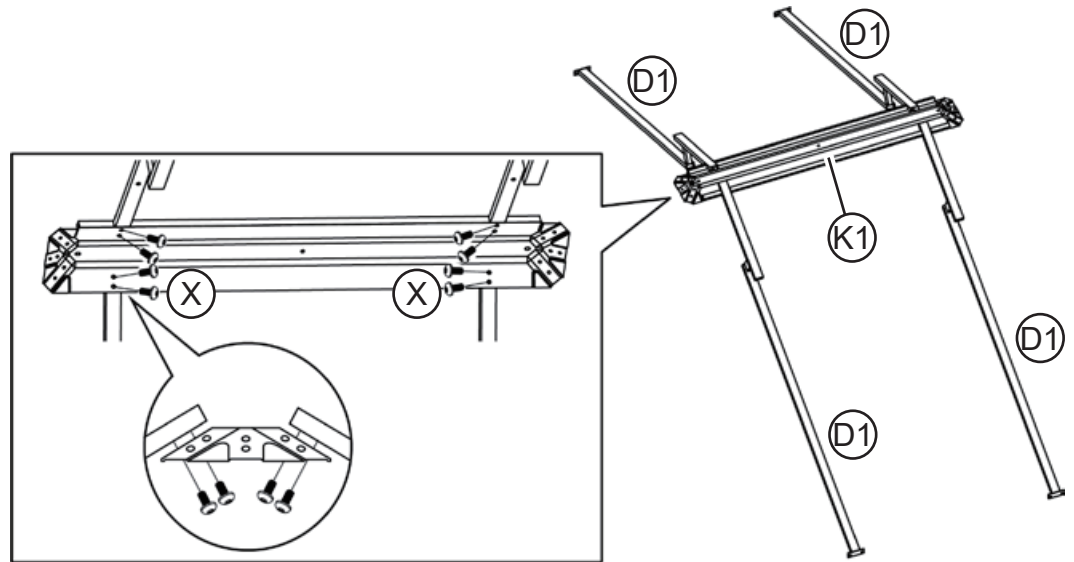
9

Attach long curtain rails (W, W1) on the long main beams, and short curtain rails (I, I1) on short main beams. Then attach hooks (R) to the main beams.



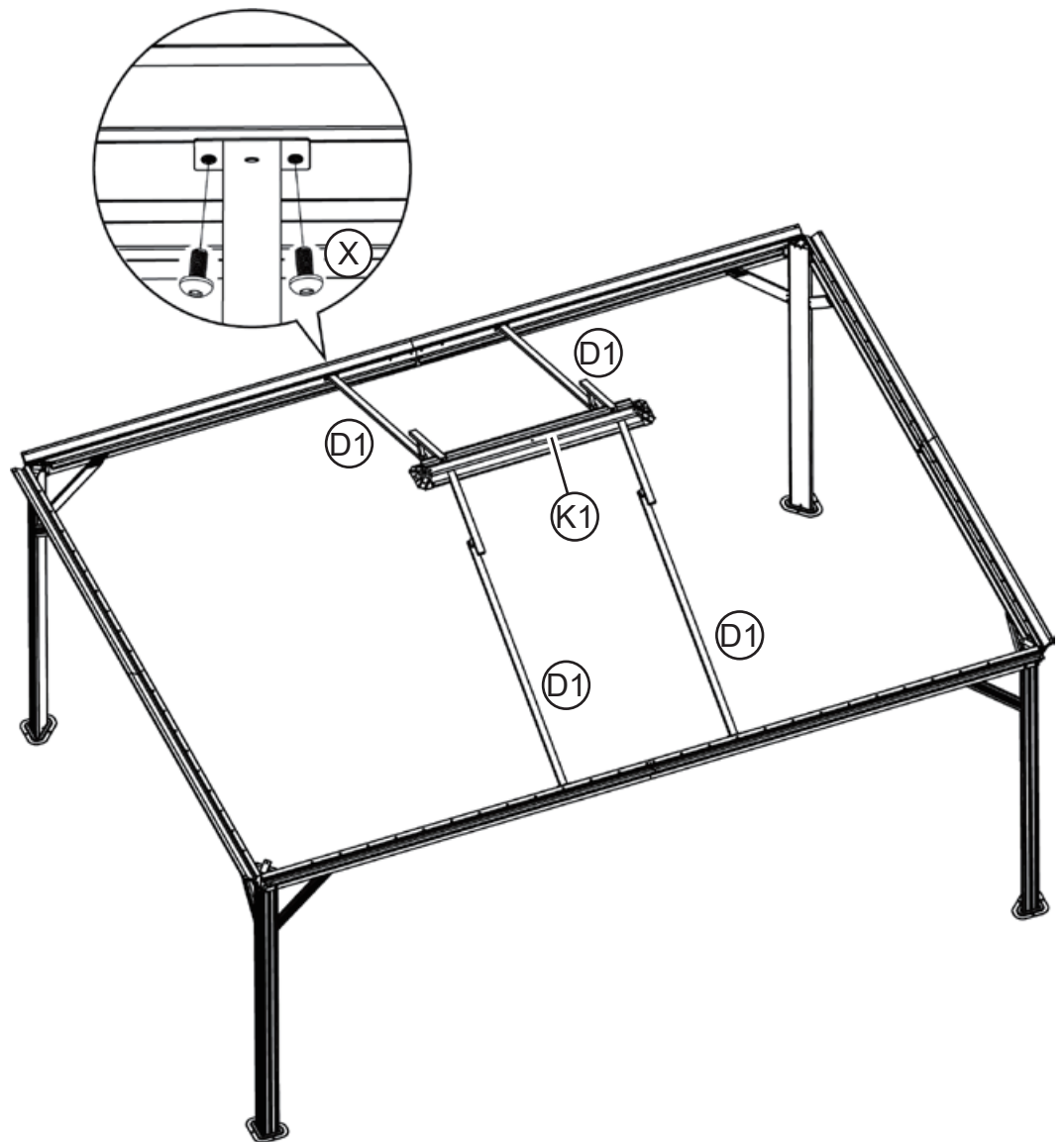
10

Attach roof support beams (D1) to the central hub (K1).



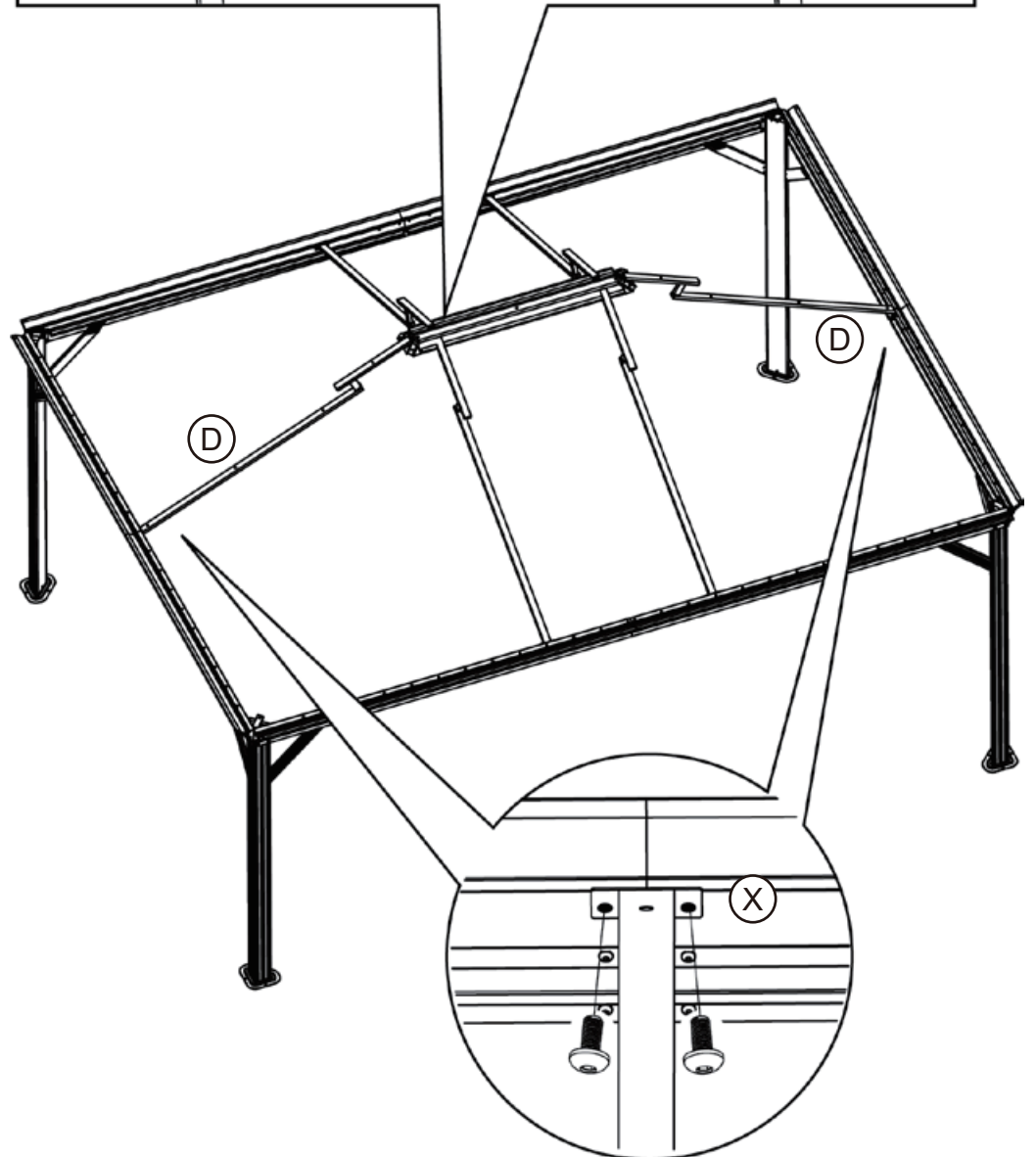
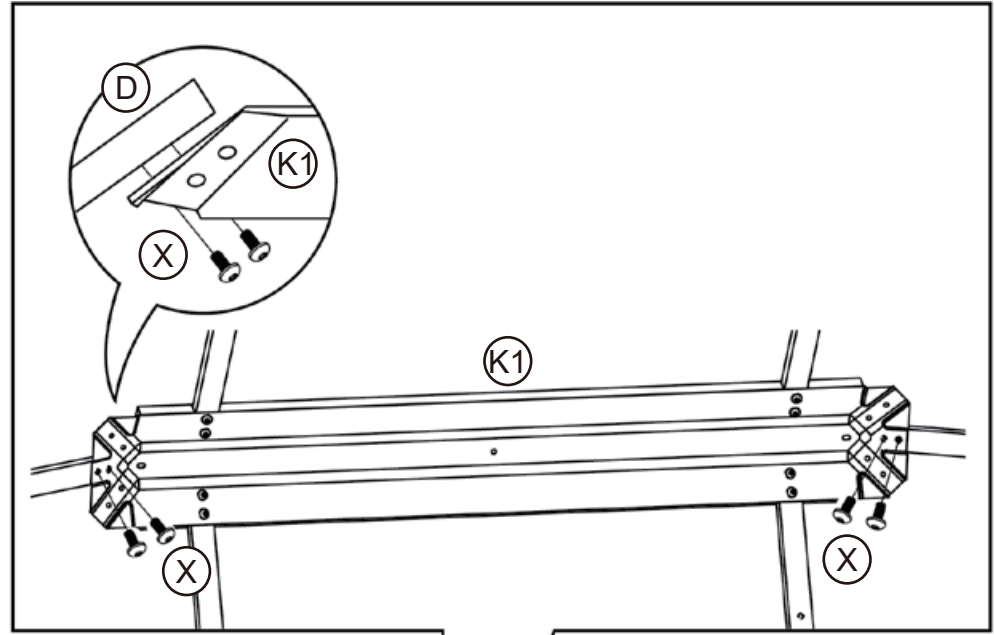
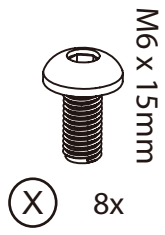
11

Assemble the roof support beams (D1) to the long main beam.



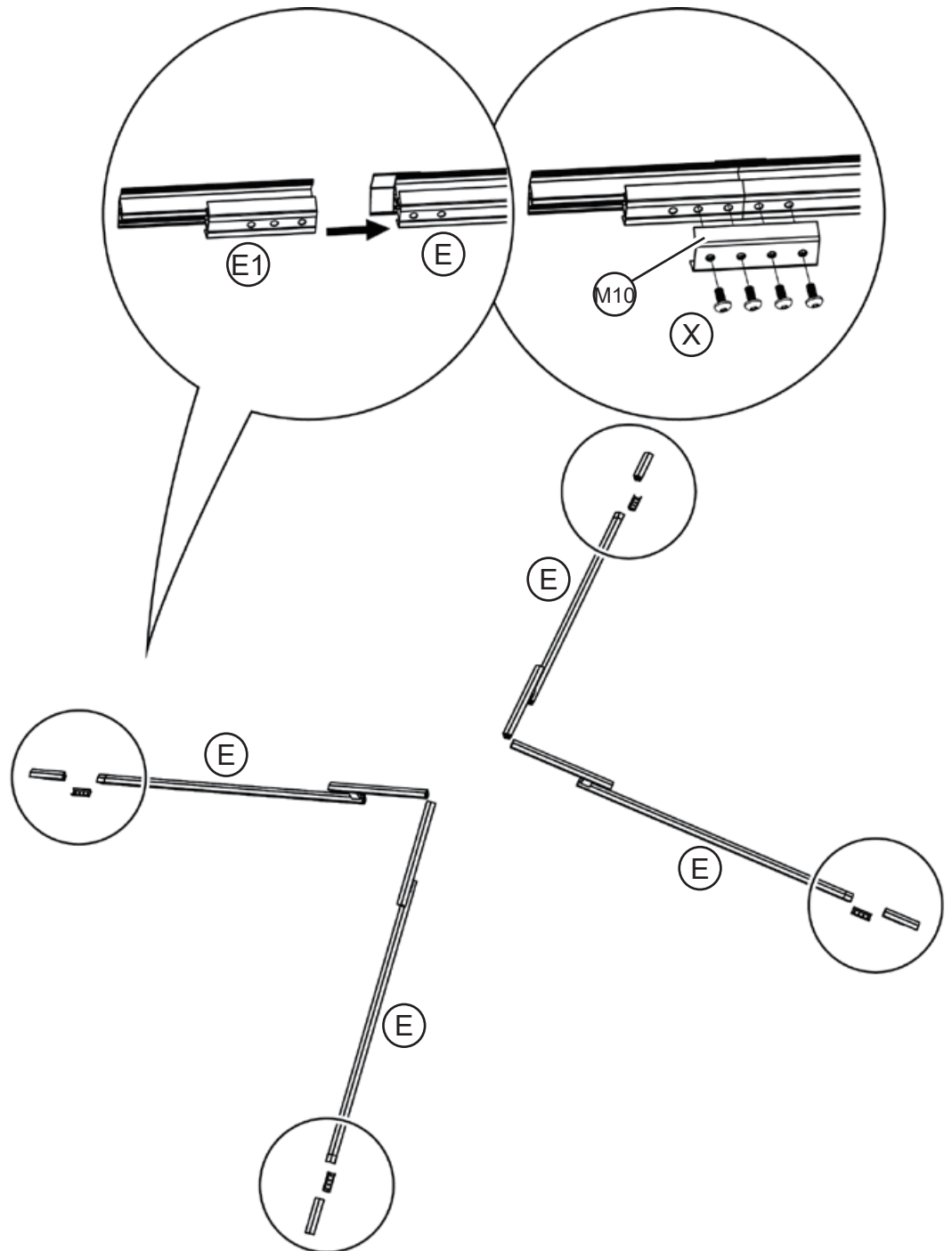
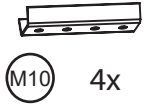
12

Assemble the other roof support beams (D) to the short main beams and the central hub.



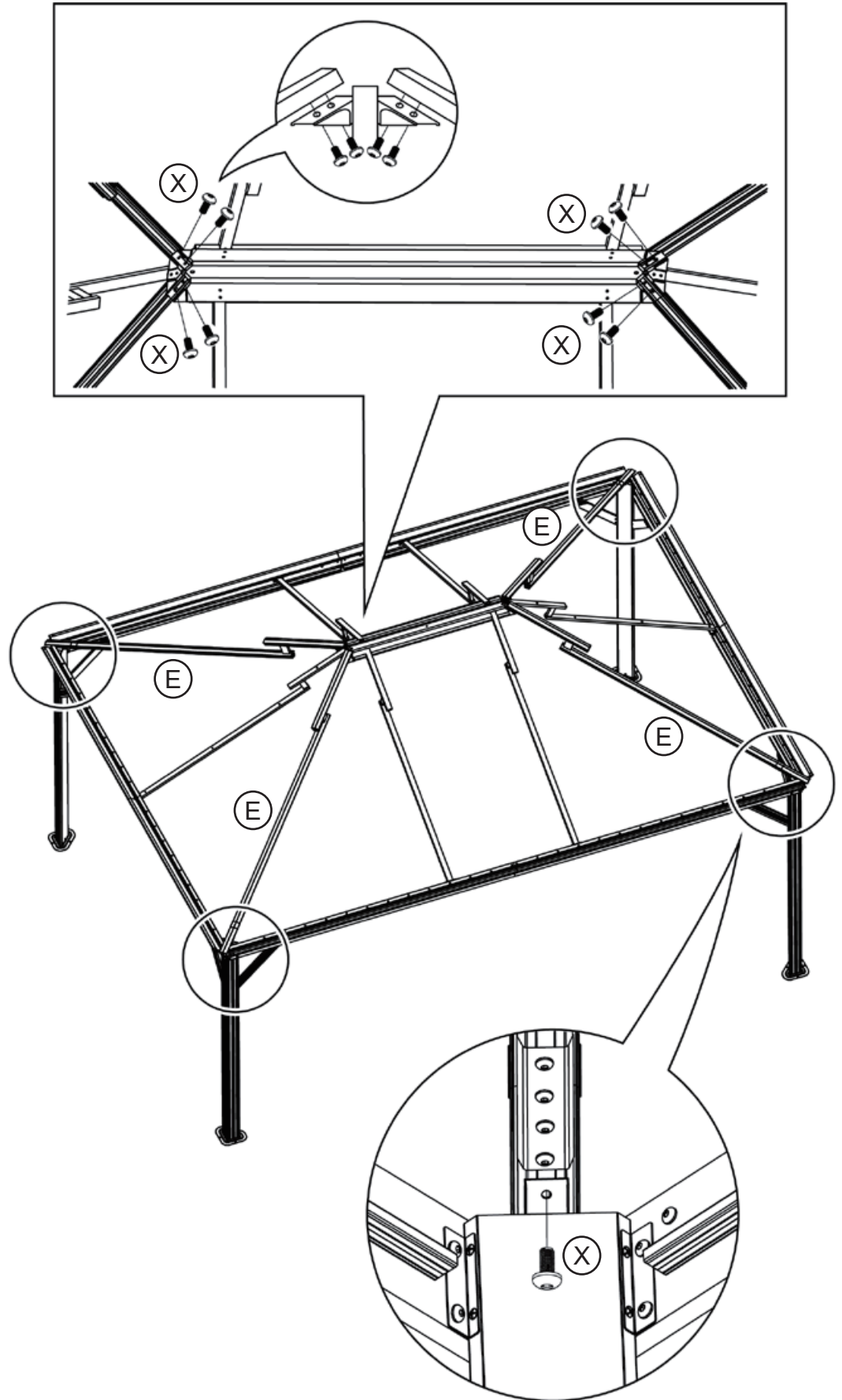
13

Connect the diagonal support bars (E) to the extensions (E1).



14

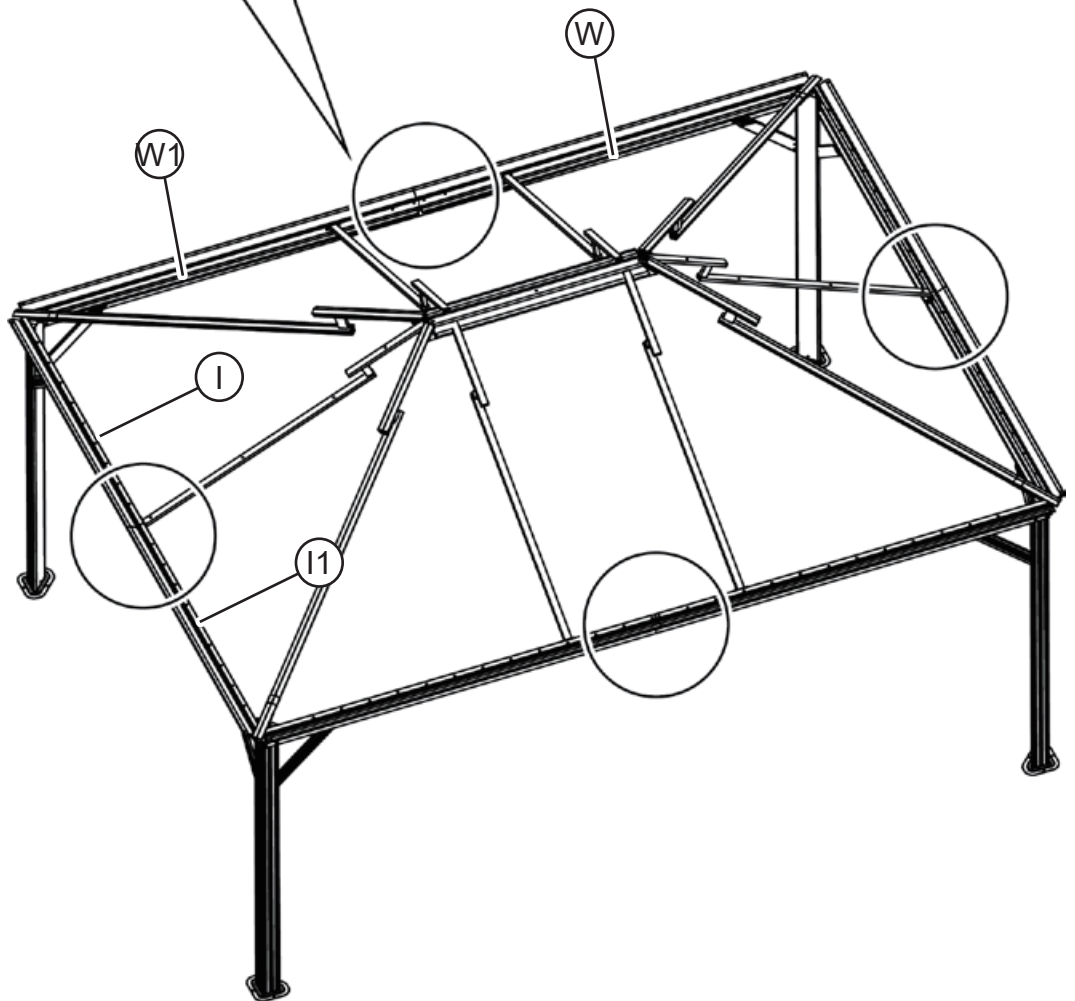
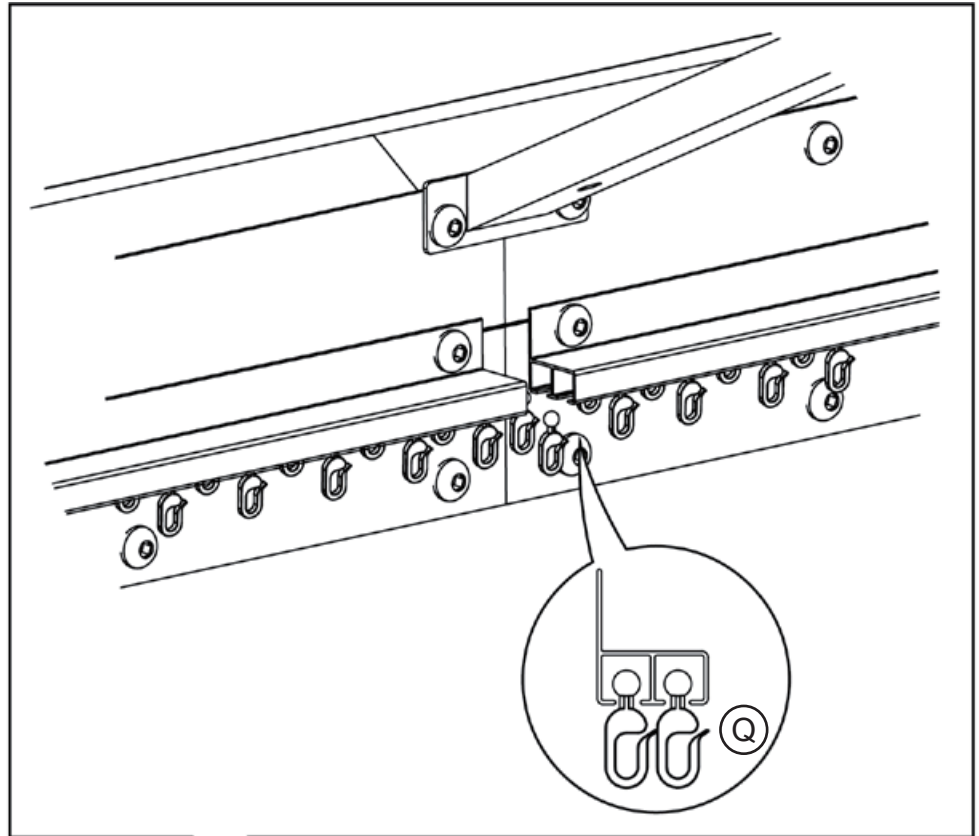
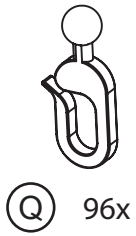
Assemble the diagonal support bars (E) to the central hub and the 4 main posts.



15

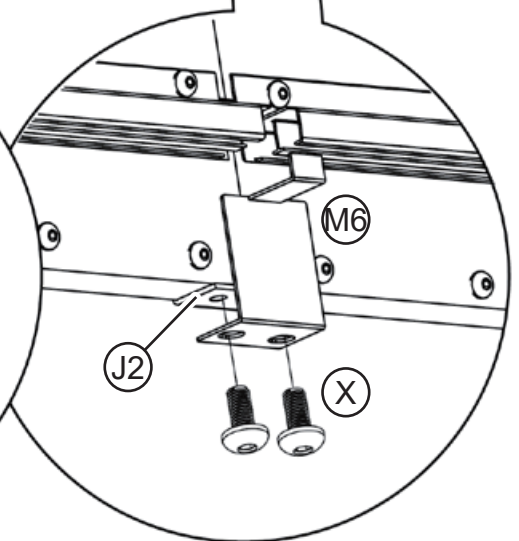
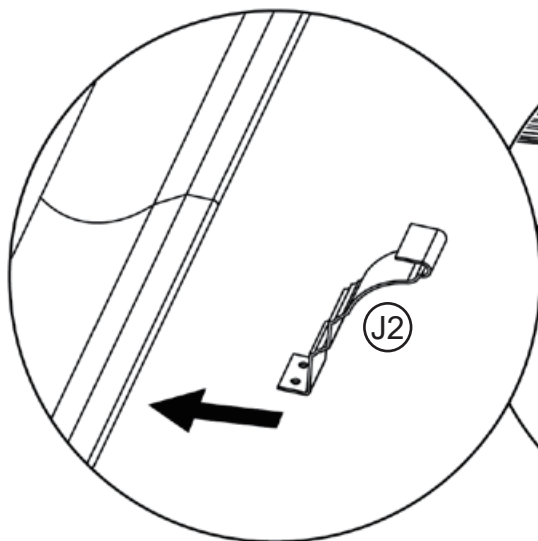
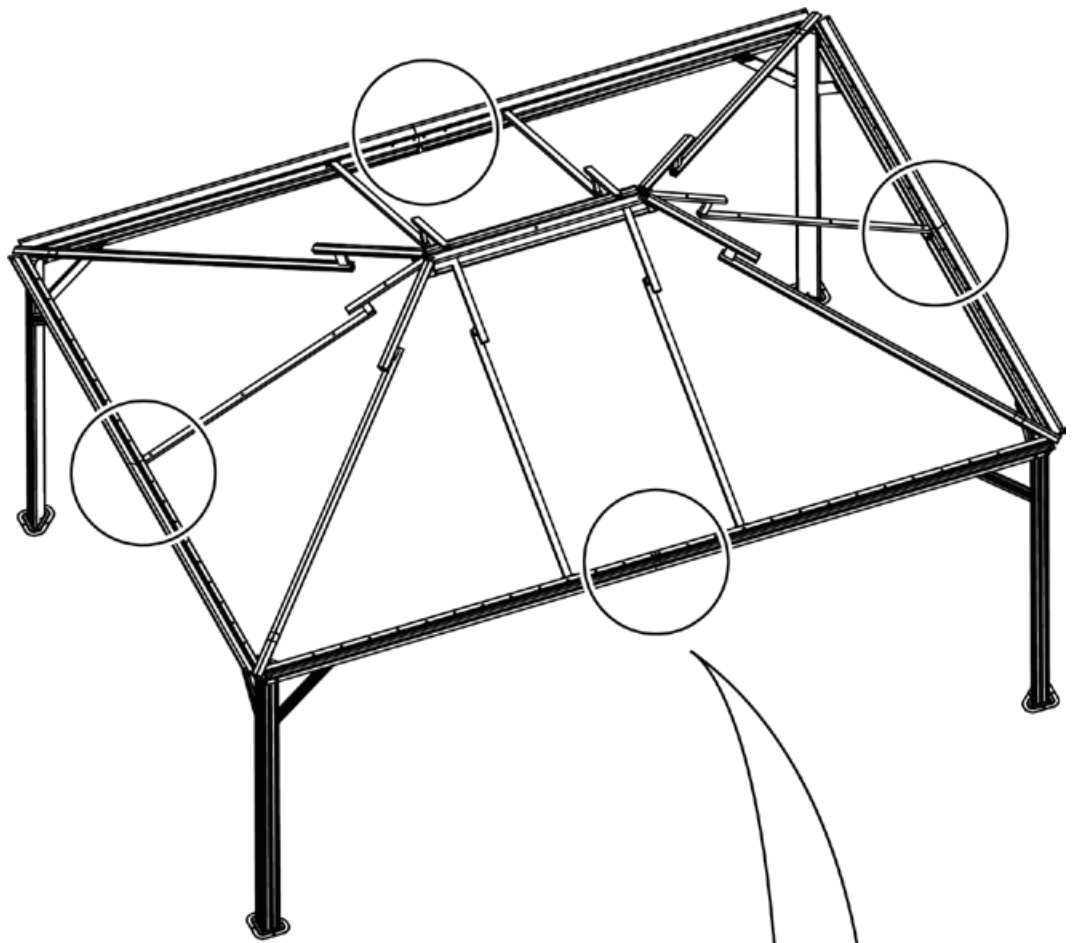
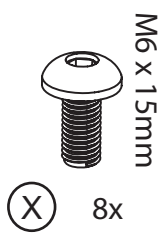
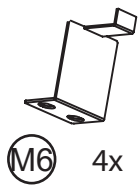
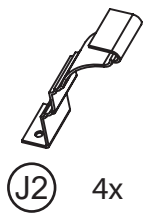
Slide curtain hooks into the curtain rails.

NOTE: Slide 7 curtain hooks into each long curtain rail (W, W1) slot, and 5 curtain hooks into each short curtain rail (I, I1) slot.



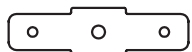
16

Seal off the opening of the curtain rails.

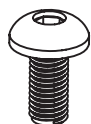


17

Connect sub roof support bars (H3, H4, H5) with connection plates.

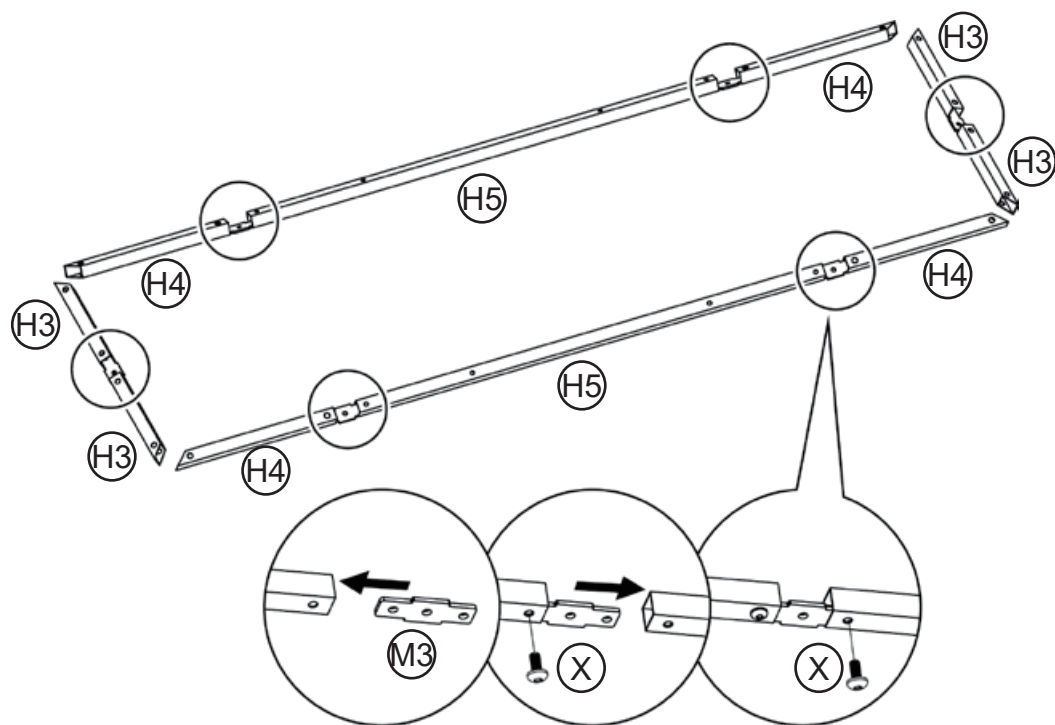


M3 6x



M6 x 15mm

X 12x



Tighten bolts at 80%

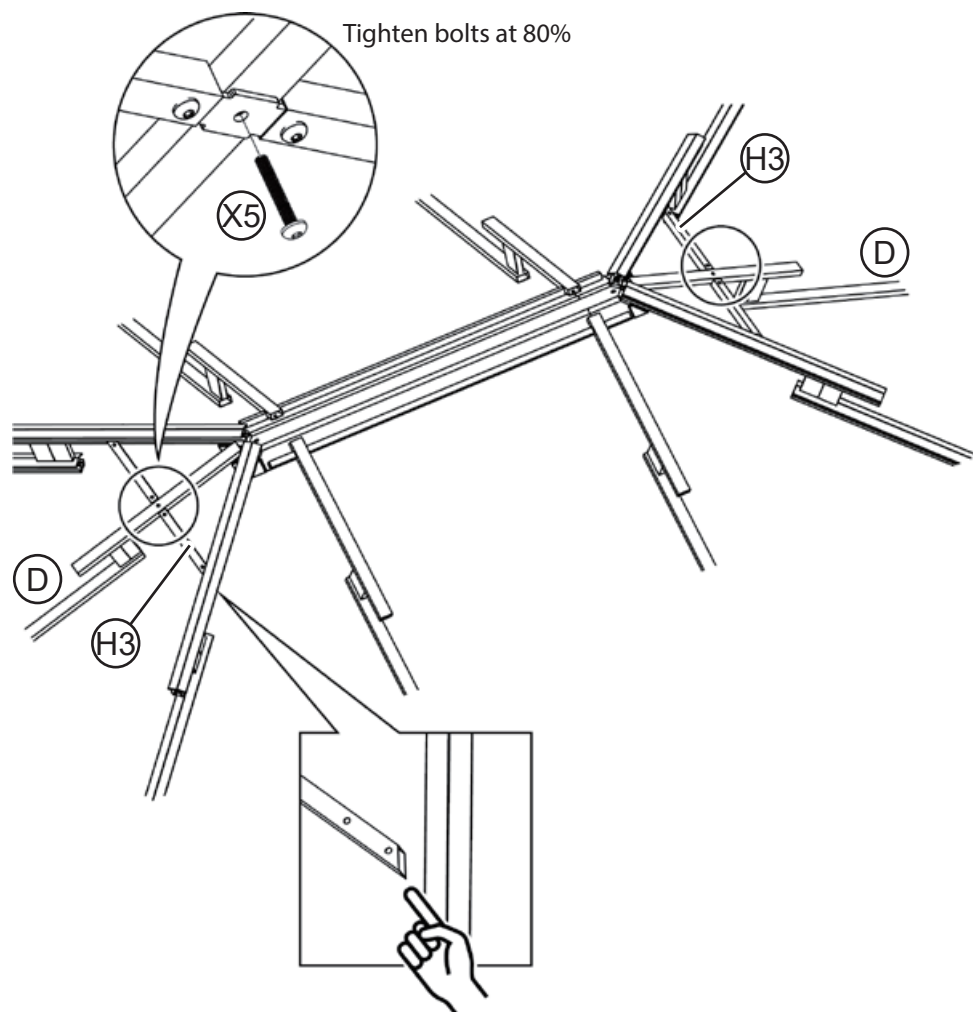
18

Attach sub roof supports (H3) to the roof support beams (D).



M6 x 42mm

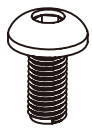
X5 2x



Tighten bolts at 80%

19

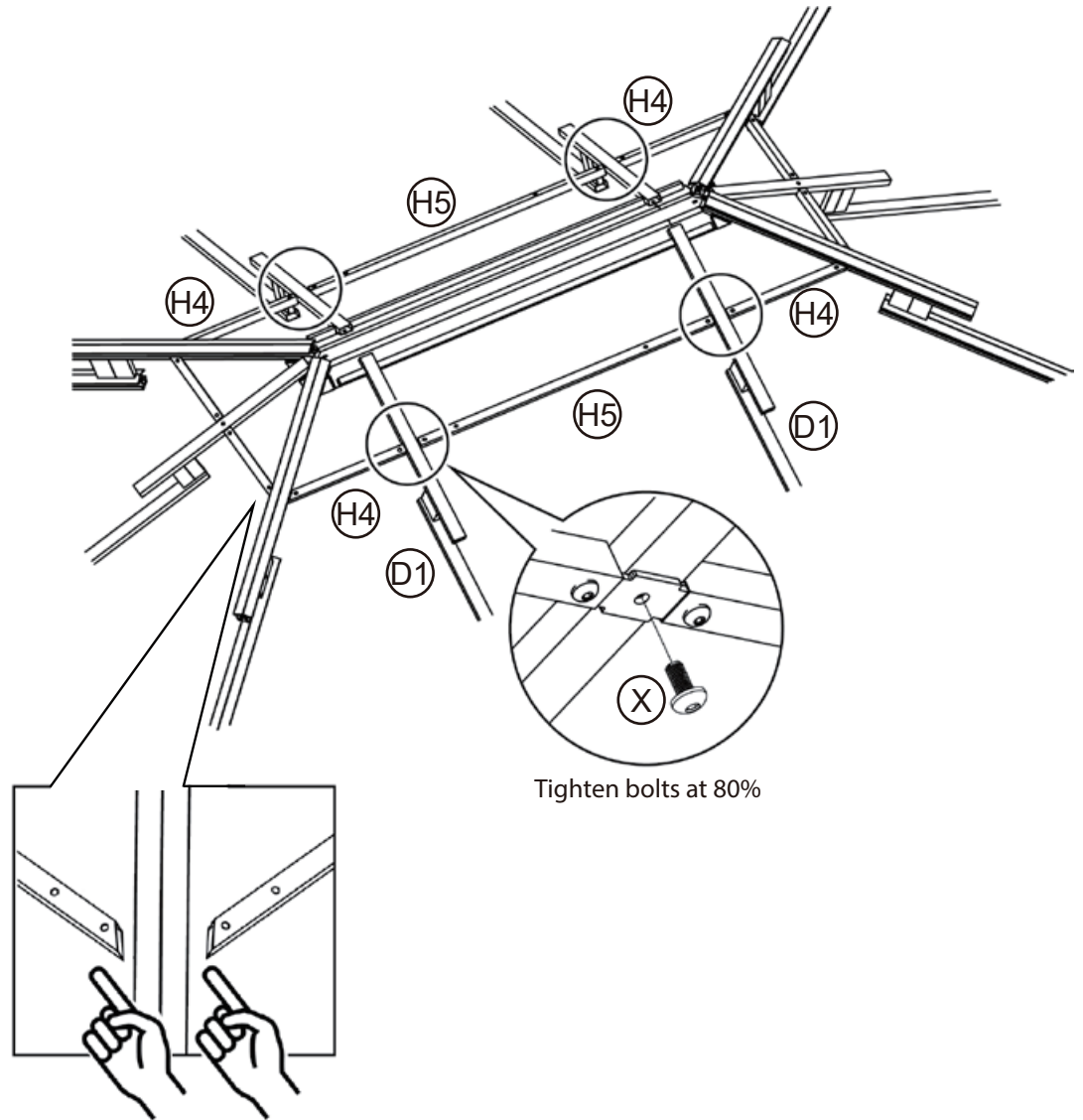
Secure the sub roof support to the roof support beam (D1).



M6 x 15mm



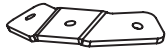
4x



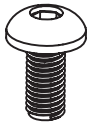
Tighten bolts at 80%

20

Further secure the sub roof support to the diagonal support bar (E).

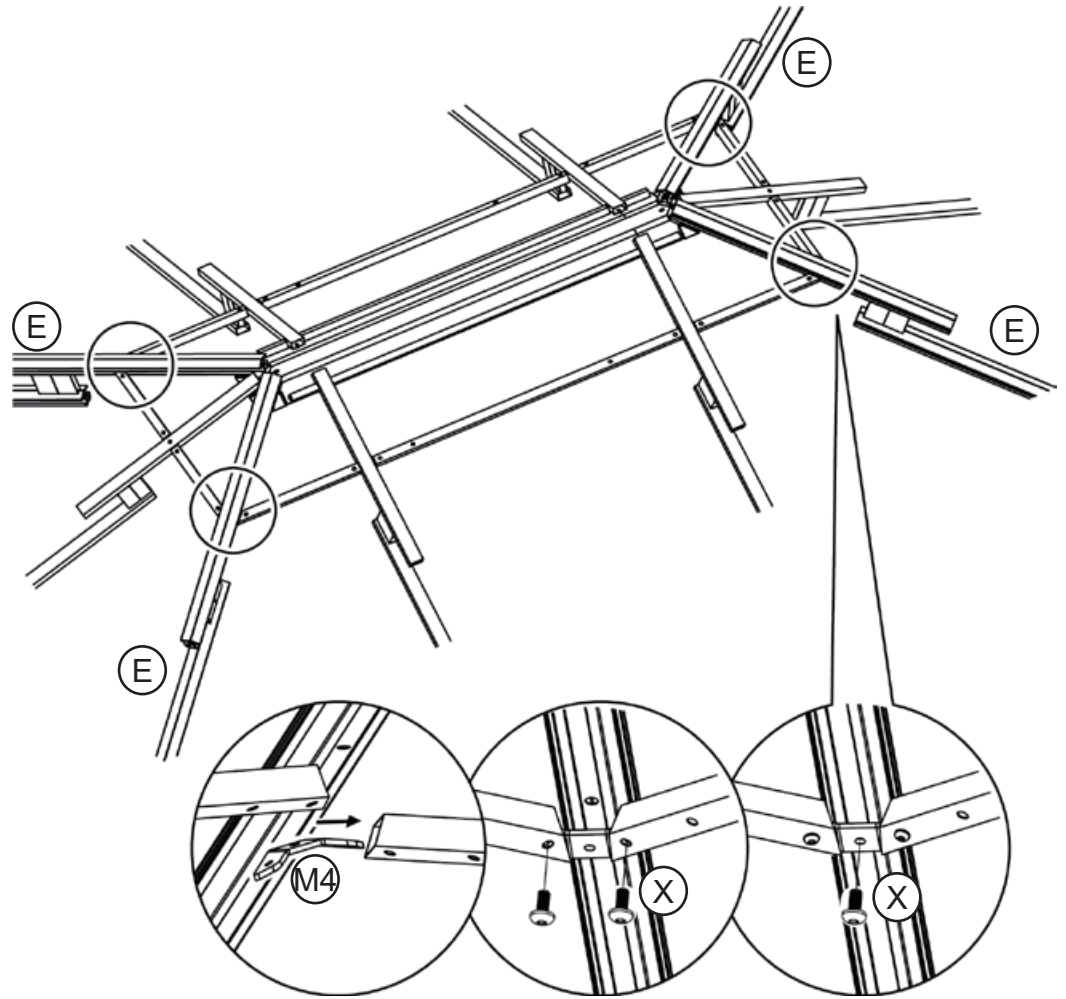


M4 4x



M6 x 15mm

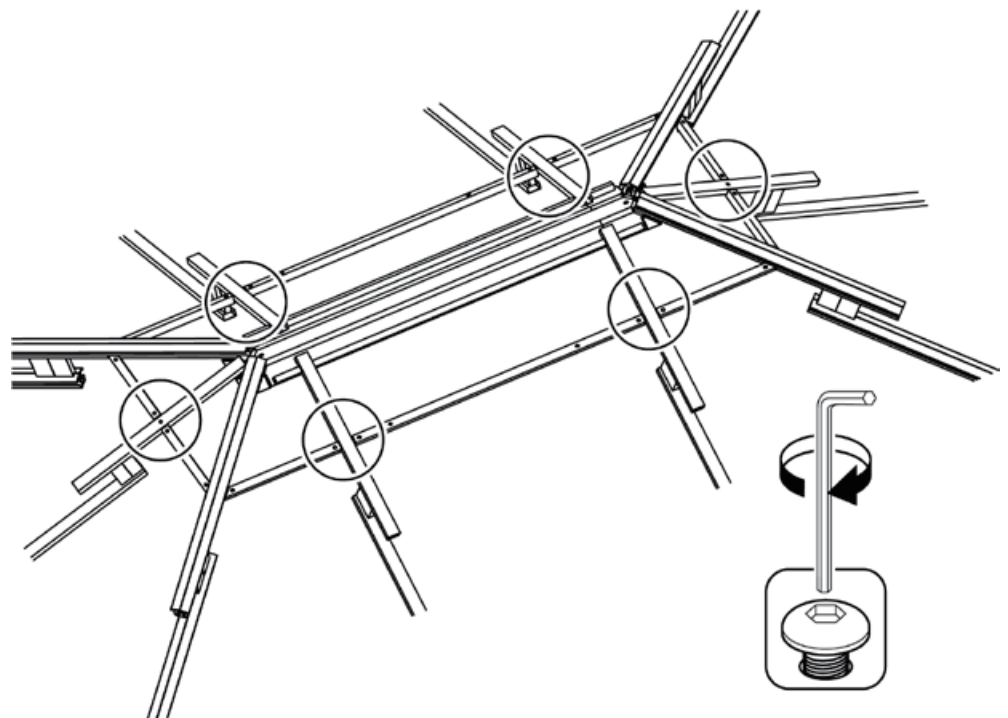
X 12x



Tighten bolts at 80%

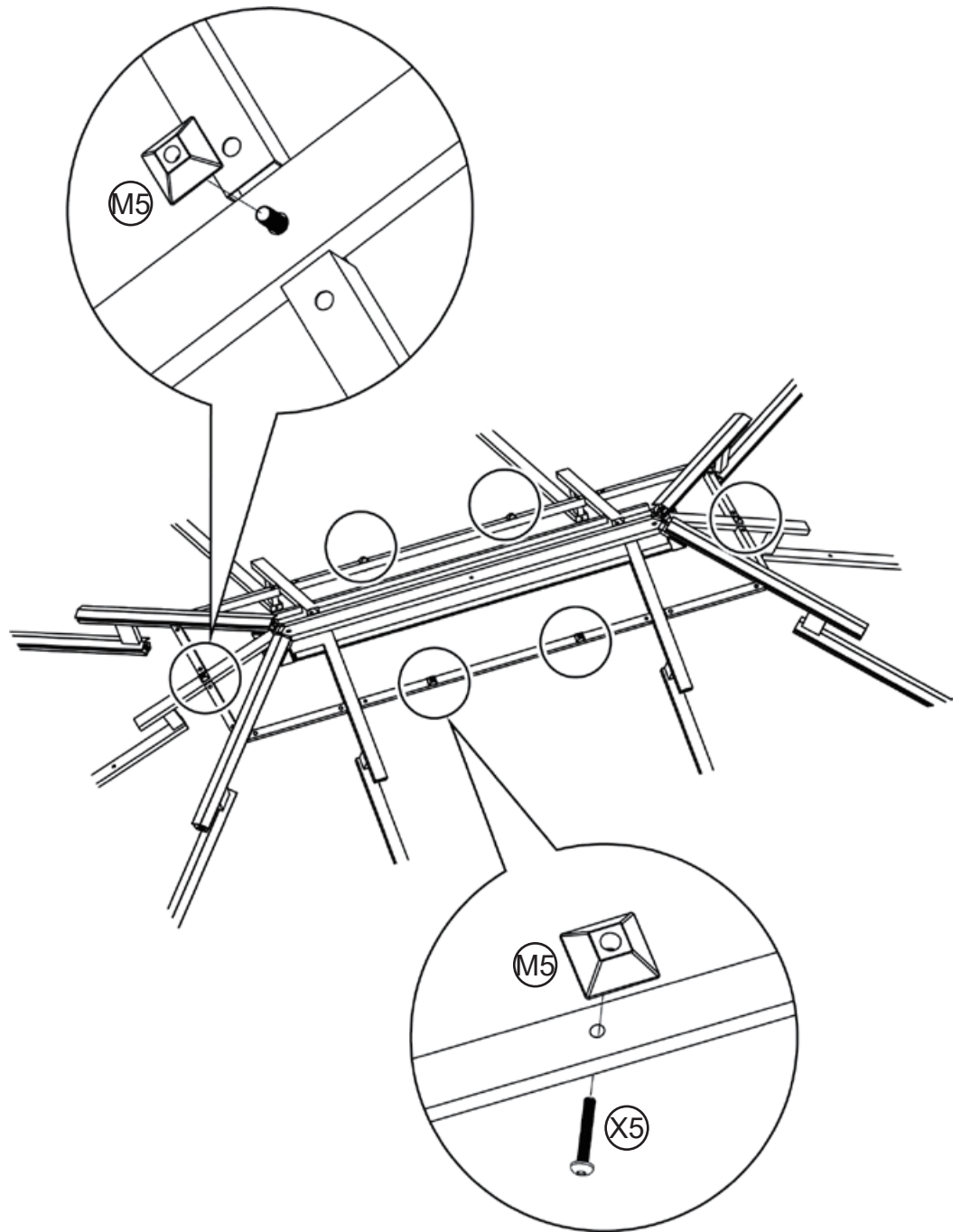
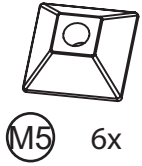
21

Tighten all the bolts on the sub roof support.



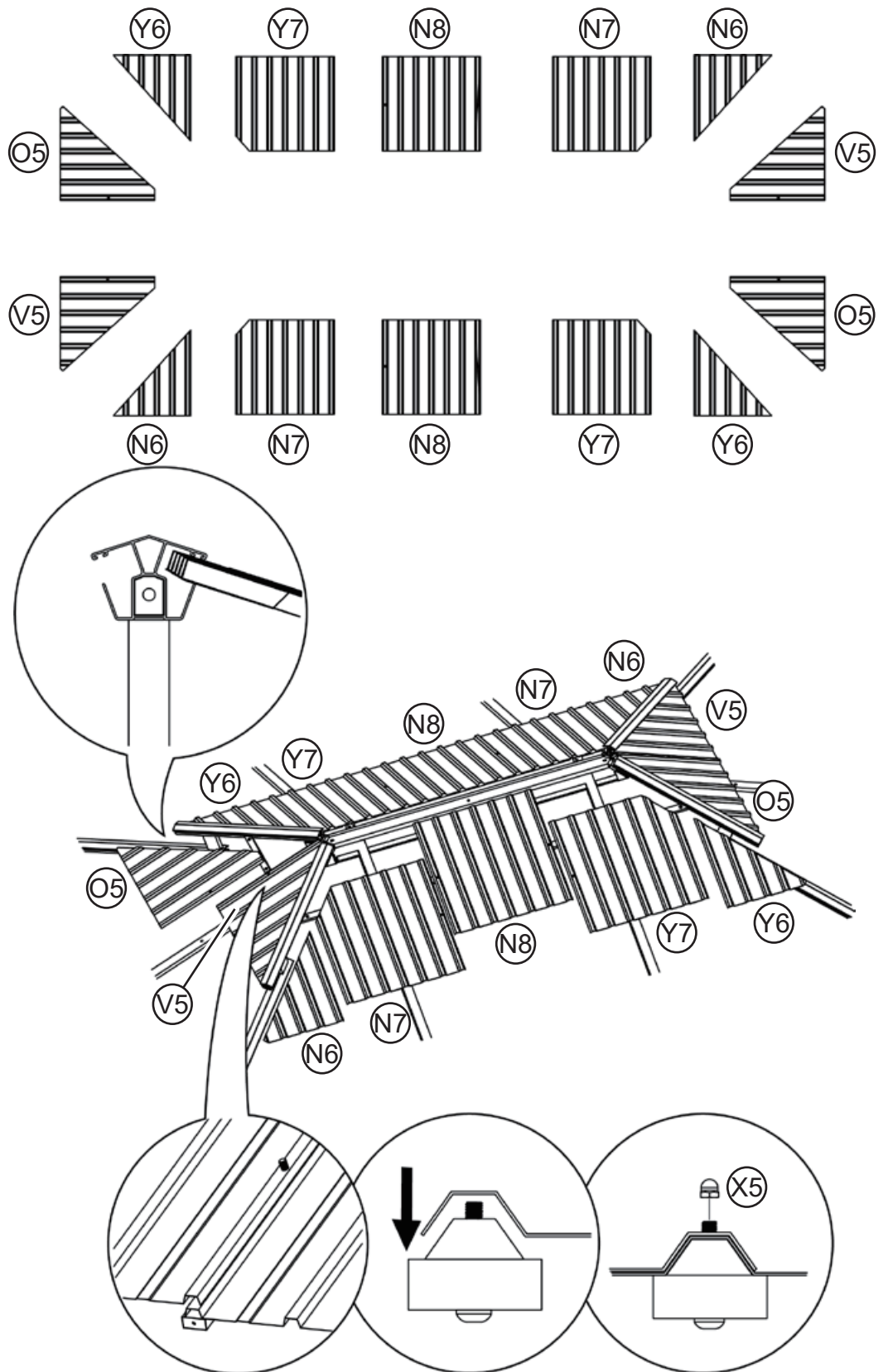
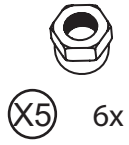
22

Attach roof spacers on the sub roof support.



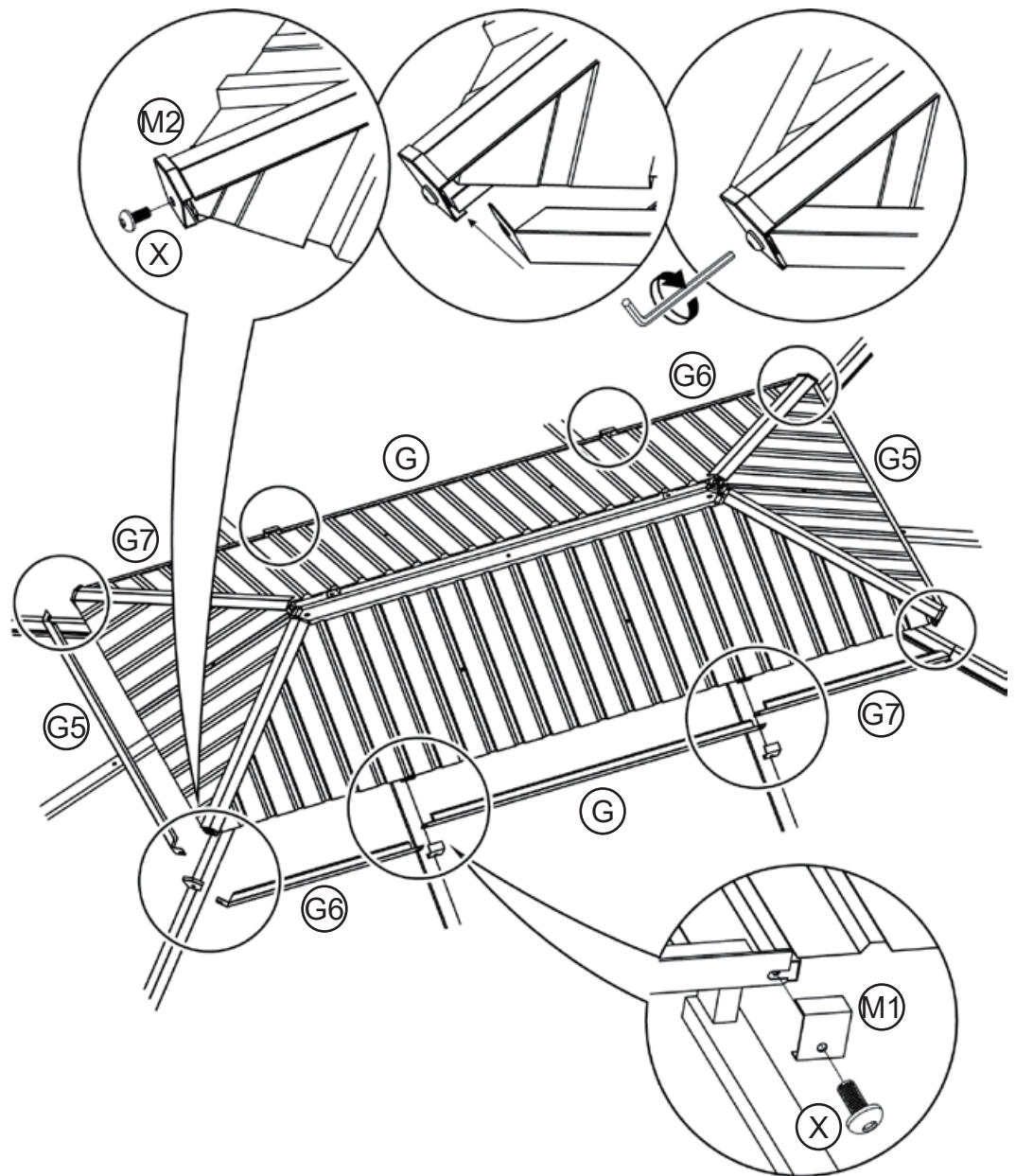
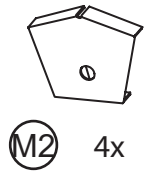
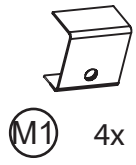
23

Layout the sub roof panels (N6, N7, N8, O5, V5, Y6, Y7) as the following graph and assemble the panels on top of the sub roof support.



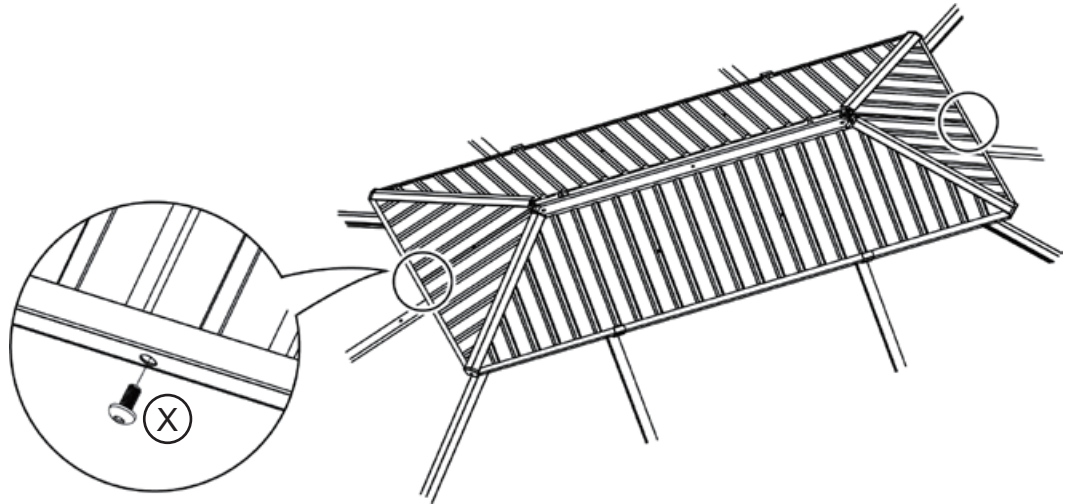
24

Assemble sub roof edge (G, G5, G6, G7) to the sub roof.



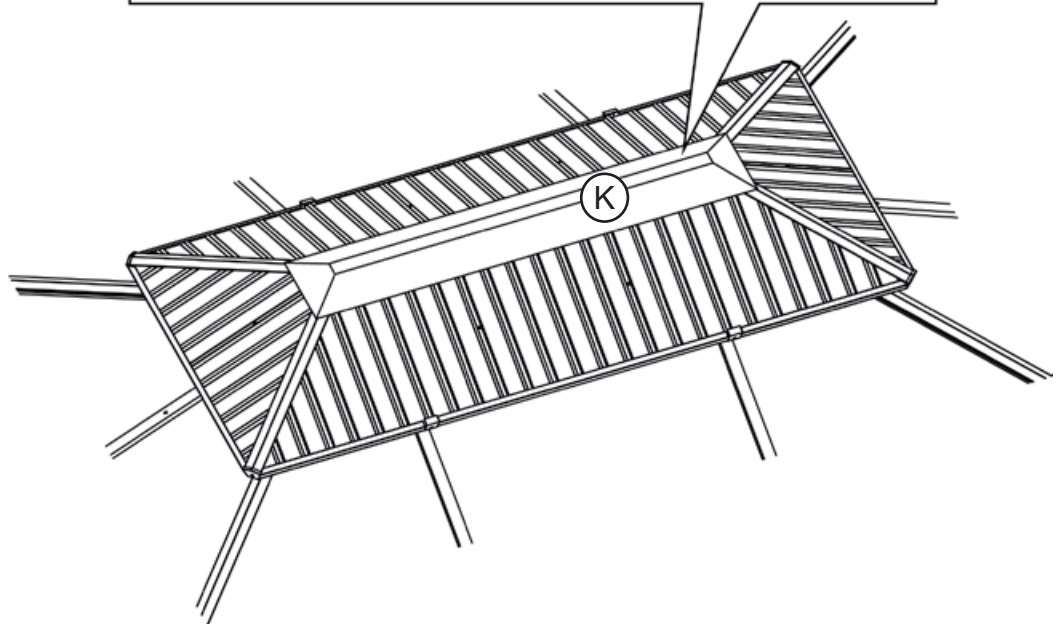
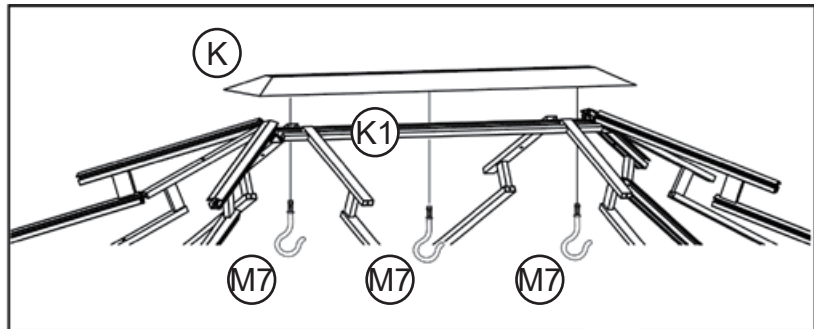
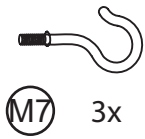
25

Further secure the sub roof edge in place.



26

Attach the finial (K) and large hook to the central hub (K1).



27

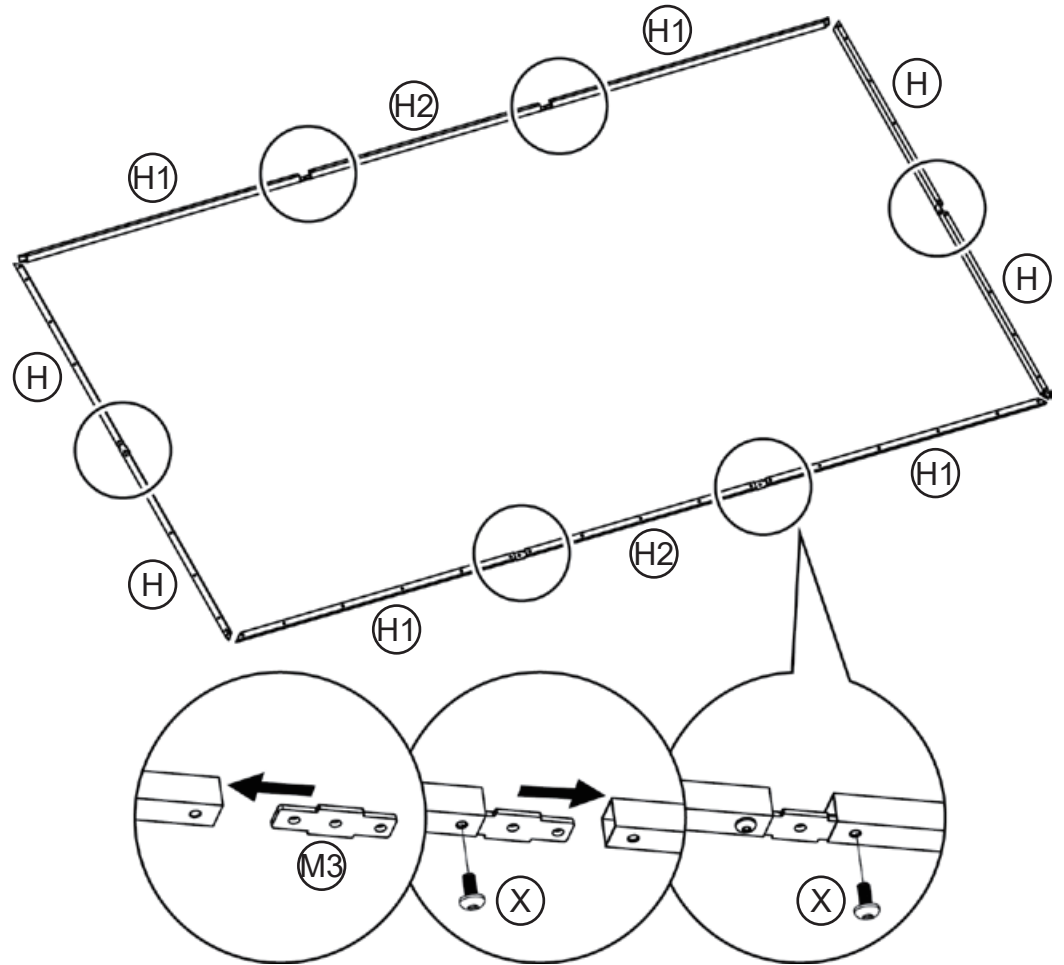
Connect main roof supports (H, H1, H2) with connection plates.



M3 6x



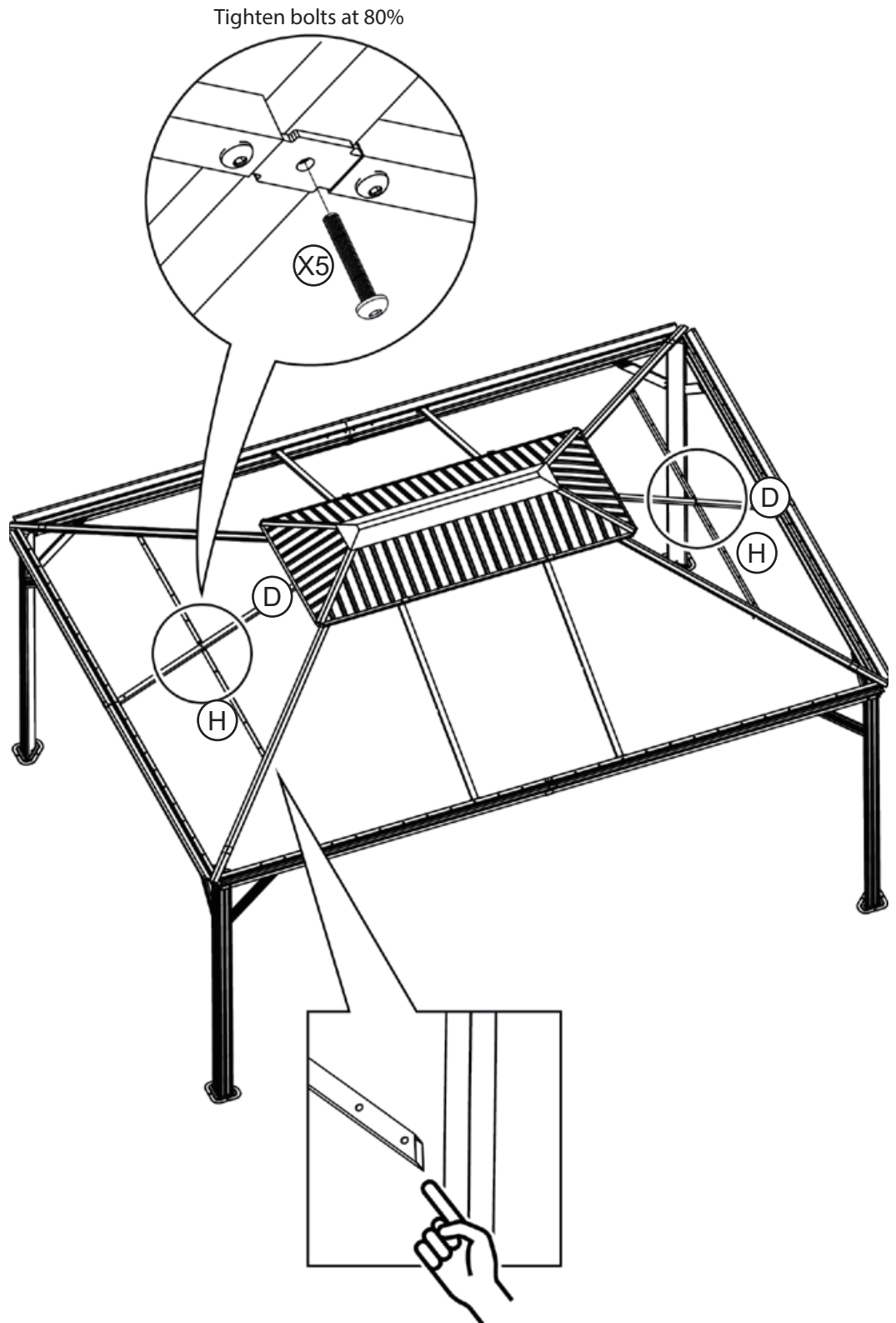
X 12x



Tighten bolts at 80%

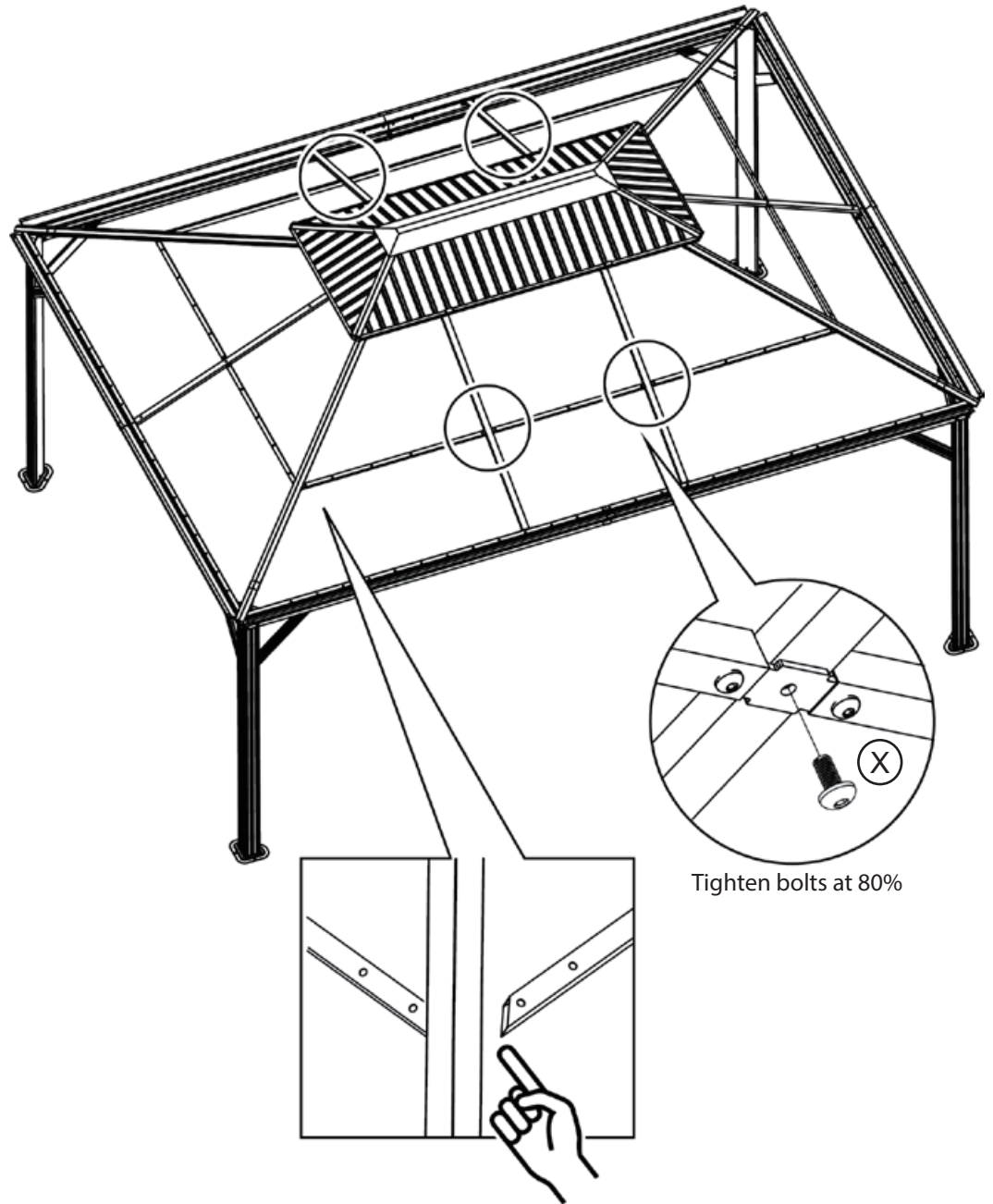
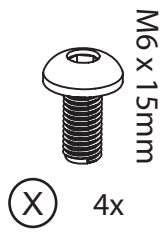
28

Attach main roof support (H) to the roof support beams (D)



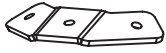
29

Continue secure main roof support on the roof support beam.

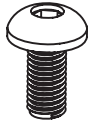


30

Secure the main roof support to the diagonal support bar.

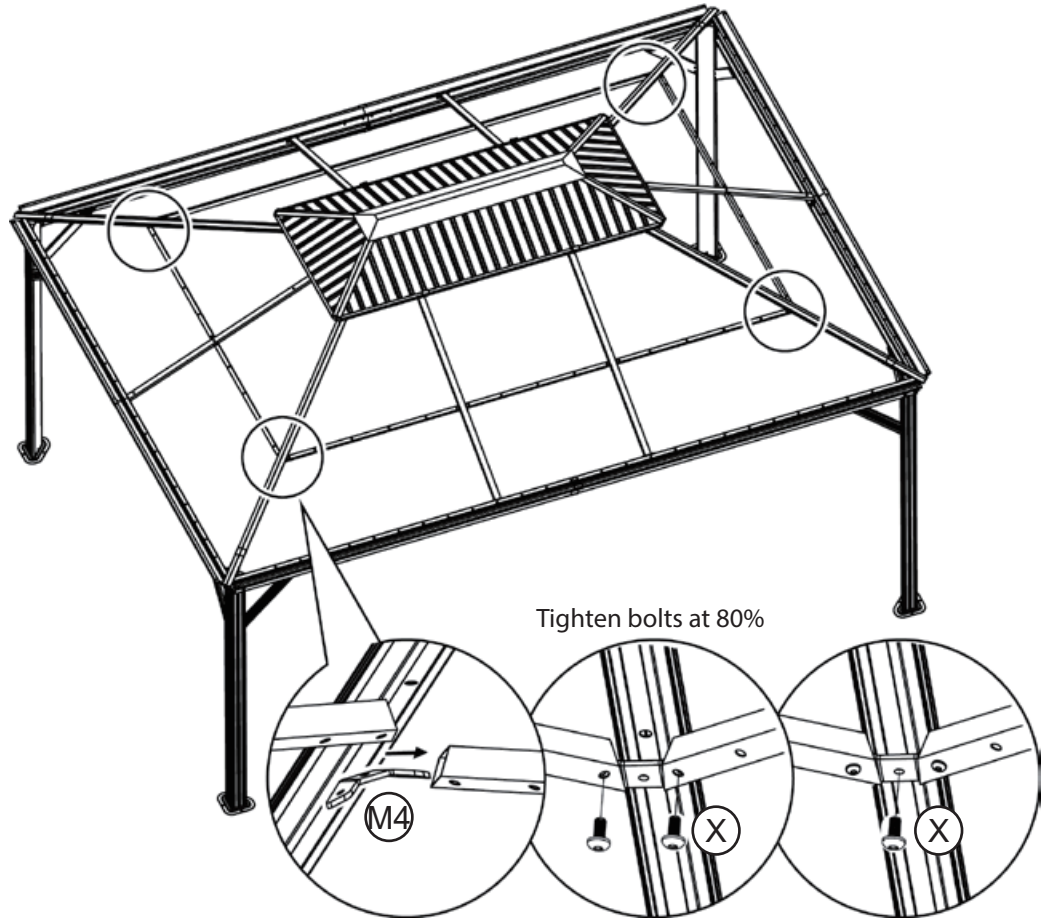


(M4) 4x



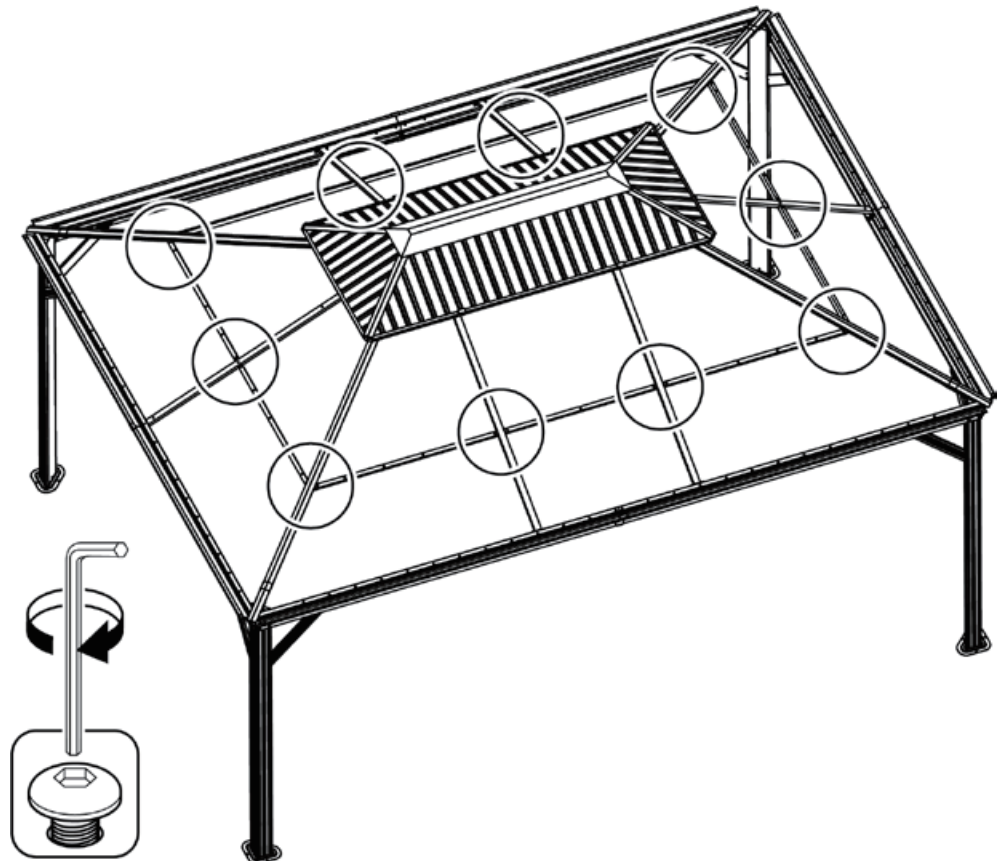
M6 x 15mm

(X) 12x



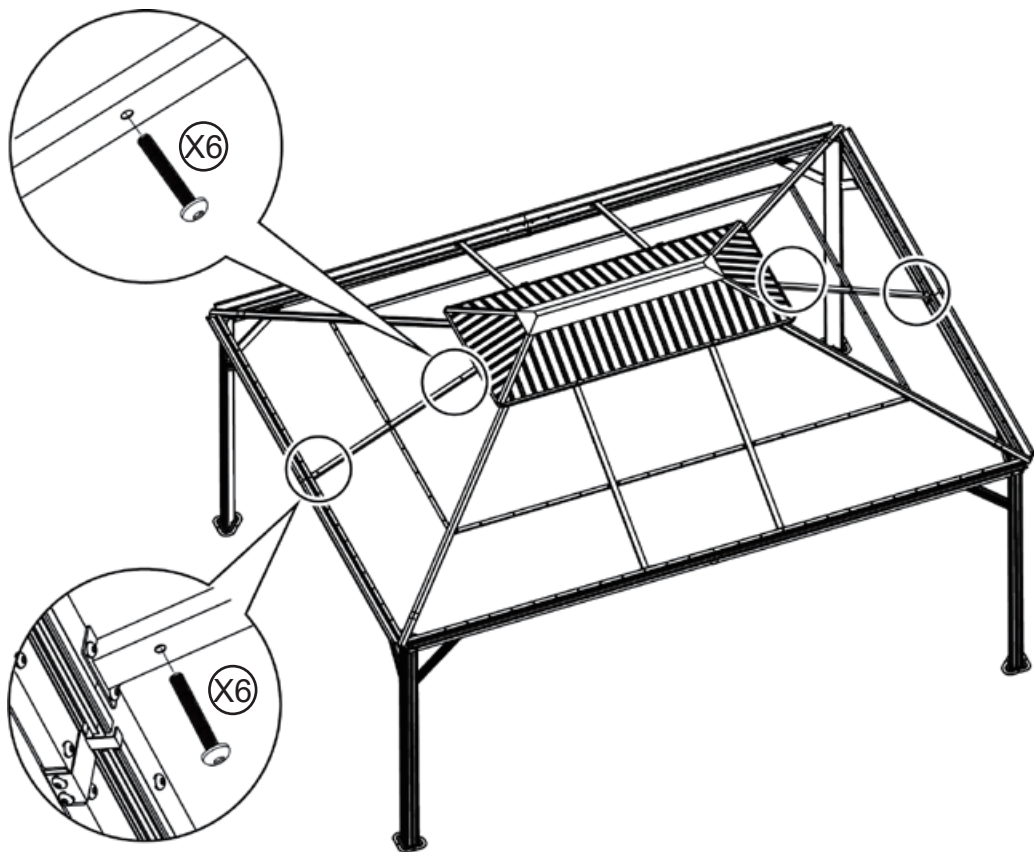
31

Tighten all bolts on the main roof support



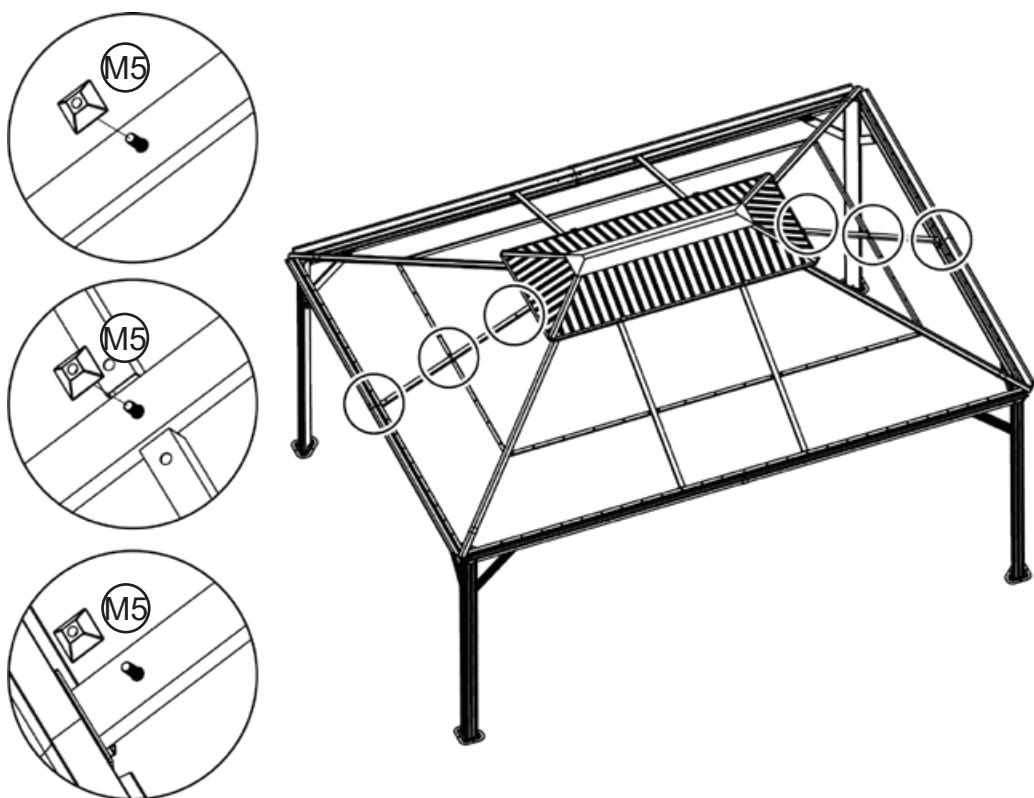
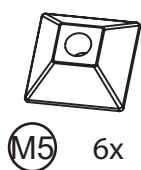
32

Insert M6x28 bolts through the roof support beam.



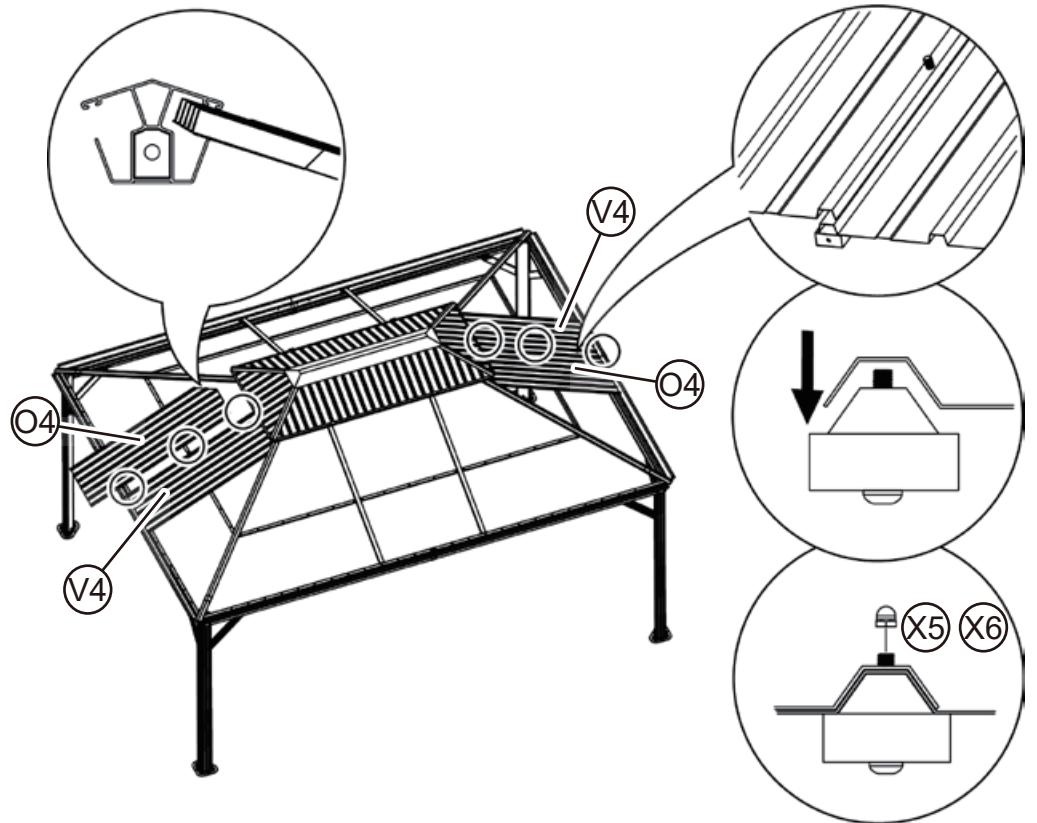
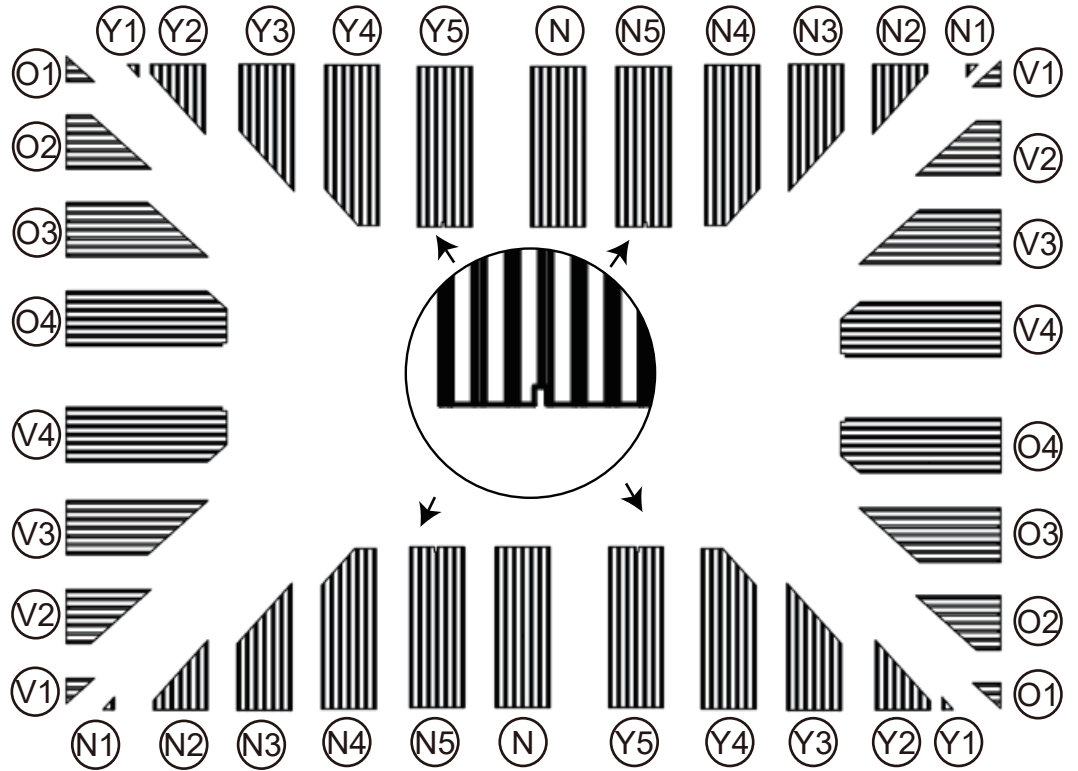
33

Place roof spacers on the roof support beam.



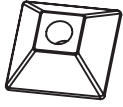
34

Lay out the main roof panels (N - N5, O1 - O4, V1 - V4, Y1 - Y5) according to the following graph and then assemble roof panels onto the main roof support.



35

Secure main roof panels on the main roof supports.



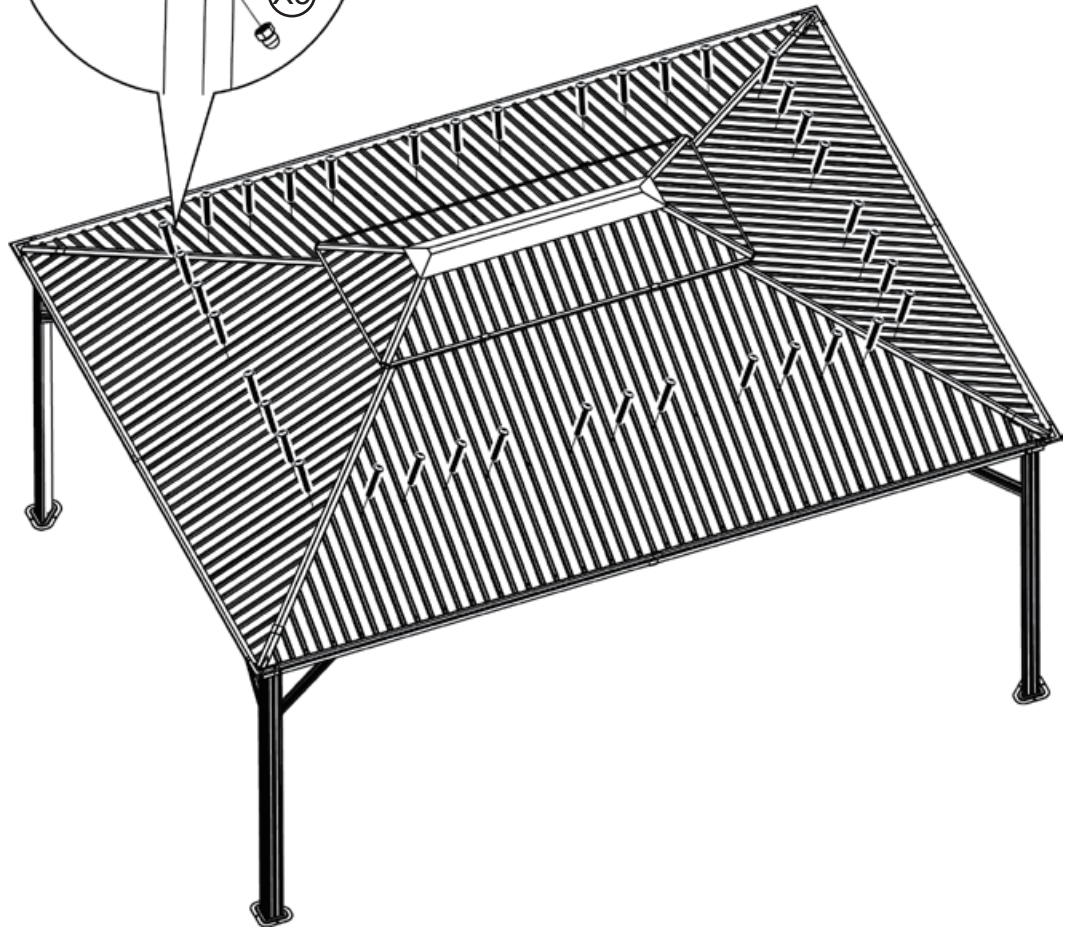
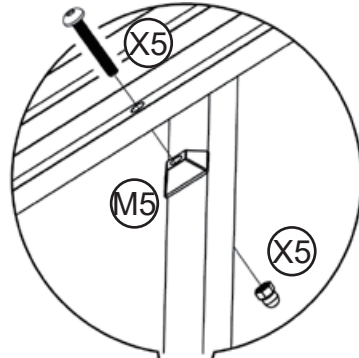
(M5) 38x



M6 x 42mm

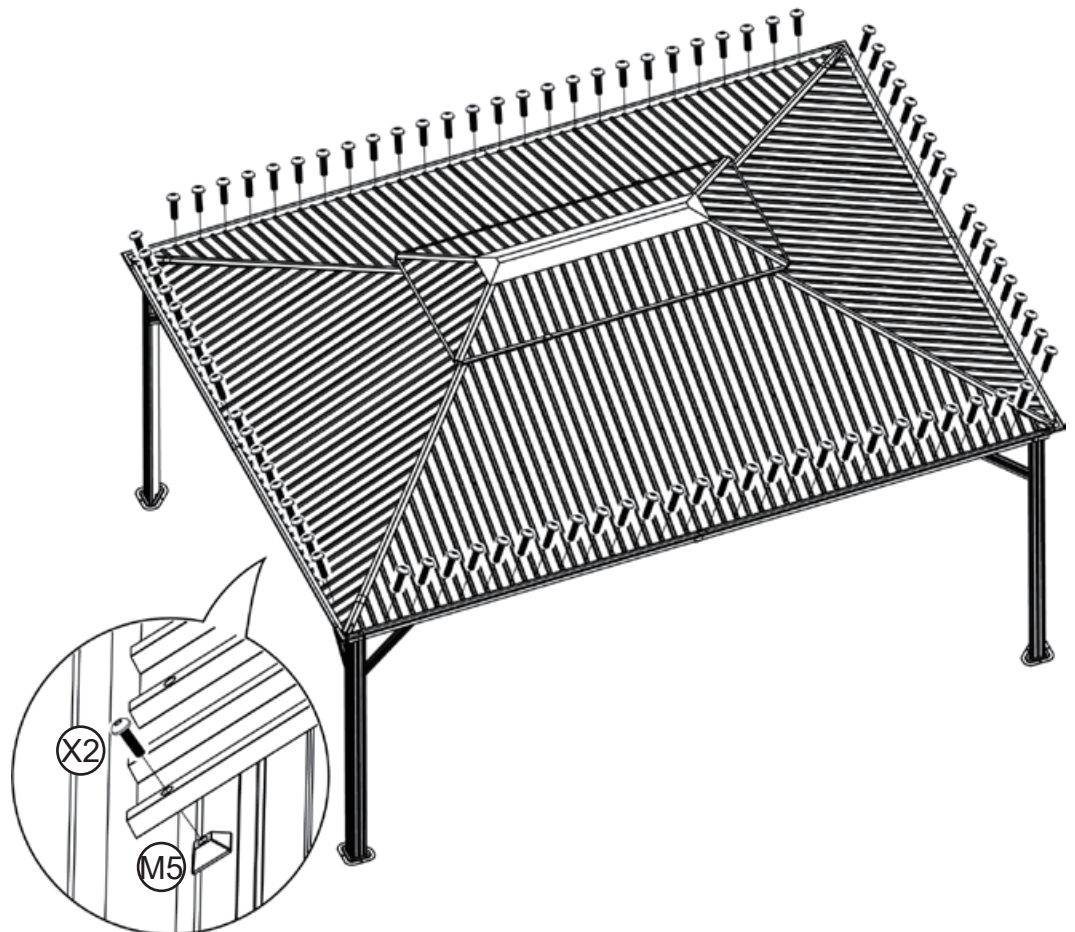
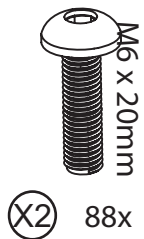
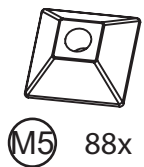


(X5) 38x



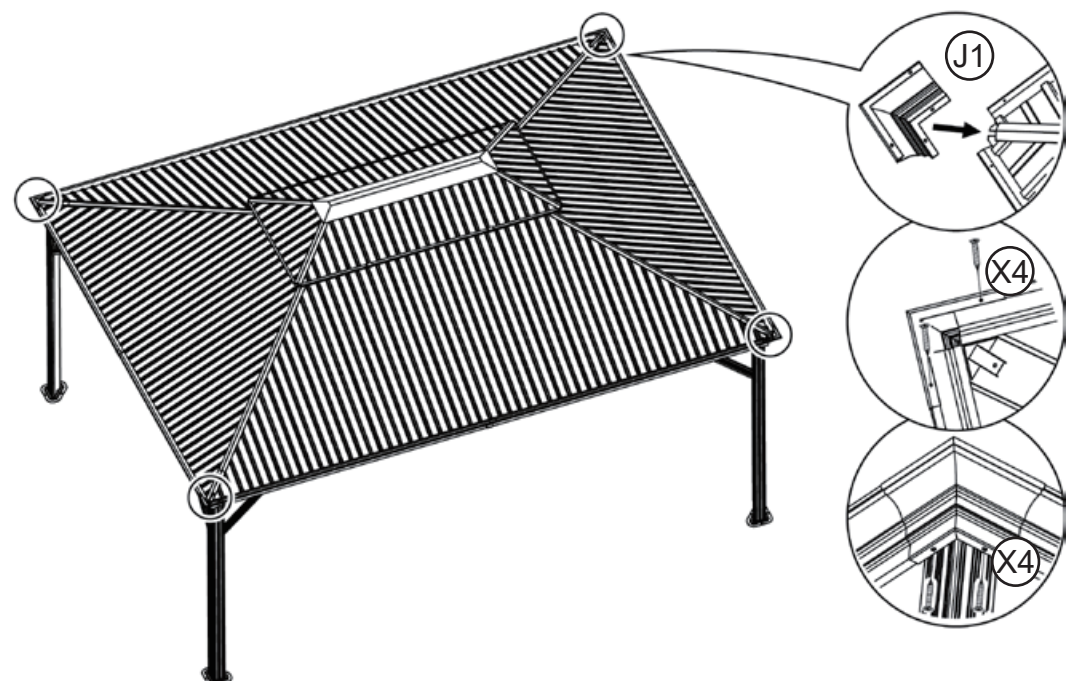
36

Secure the main roof panels on the main beam.



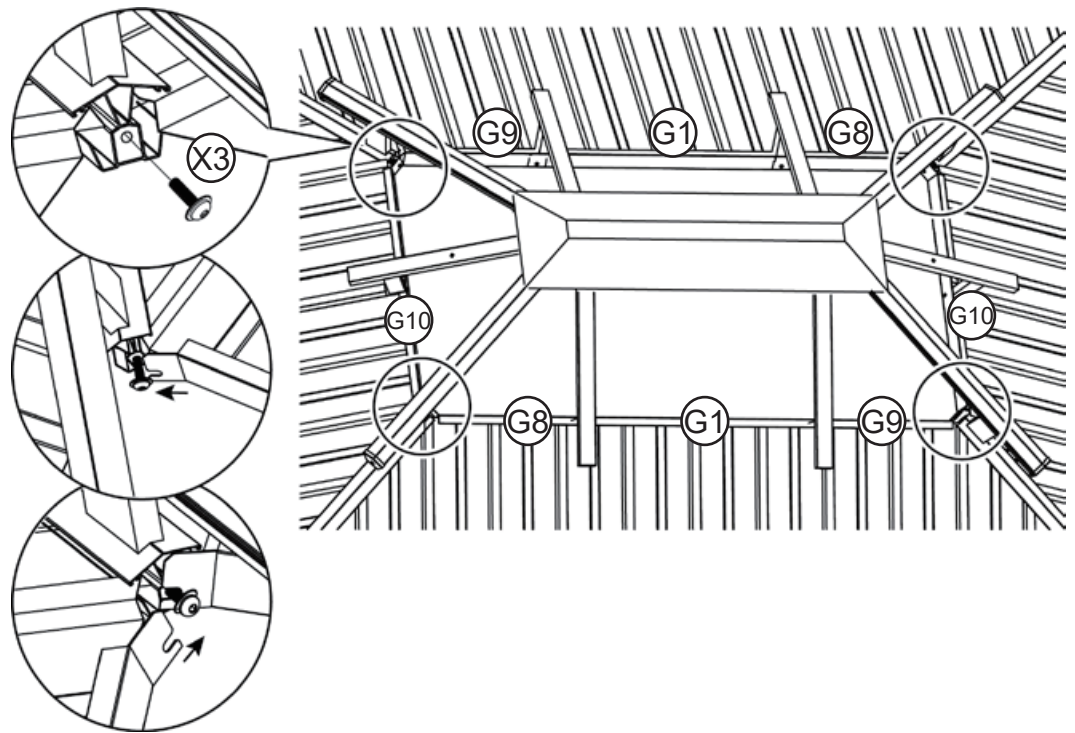
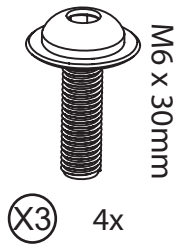
37

Attach roof corner caps (J1) to the gazebo.



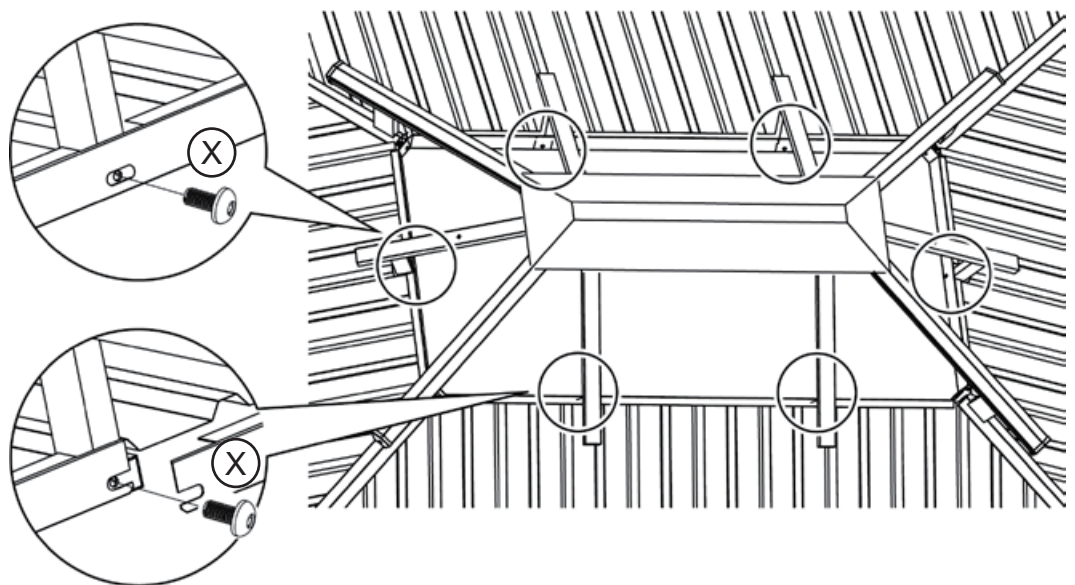
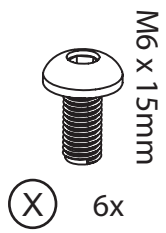
38

Attach main roof edges (G1, G8, G9, G10) to the top of the main roof.



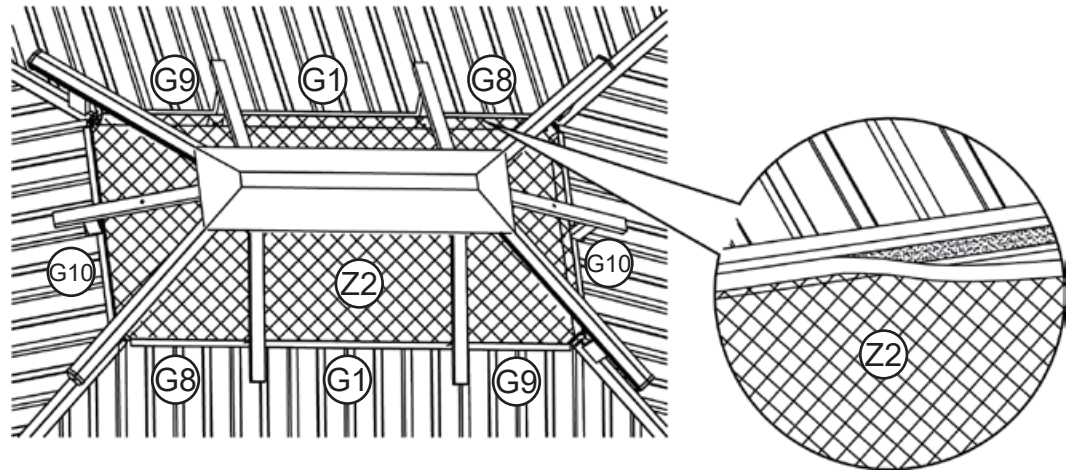
39

Secure the main roof edge in place.



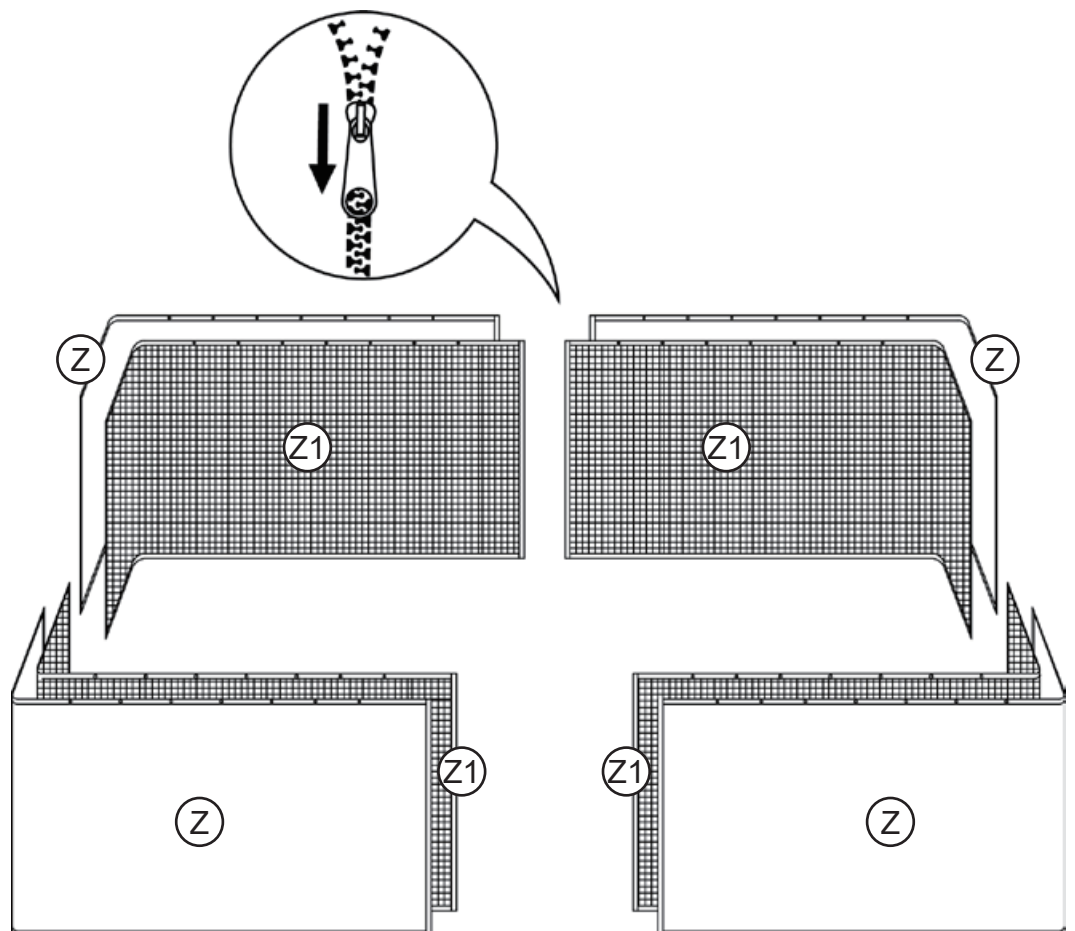
40

Attach net screen (Z2) to the main roof edge.

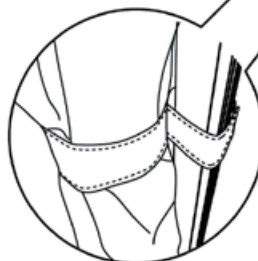
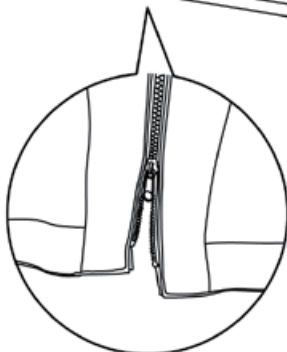
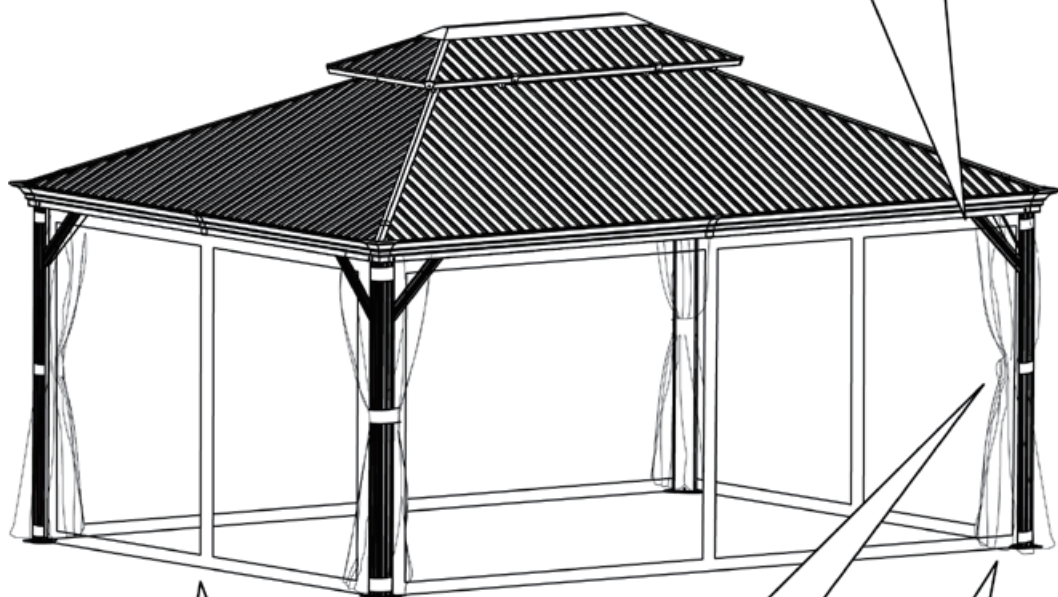
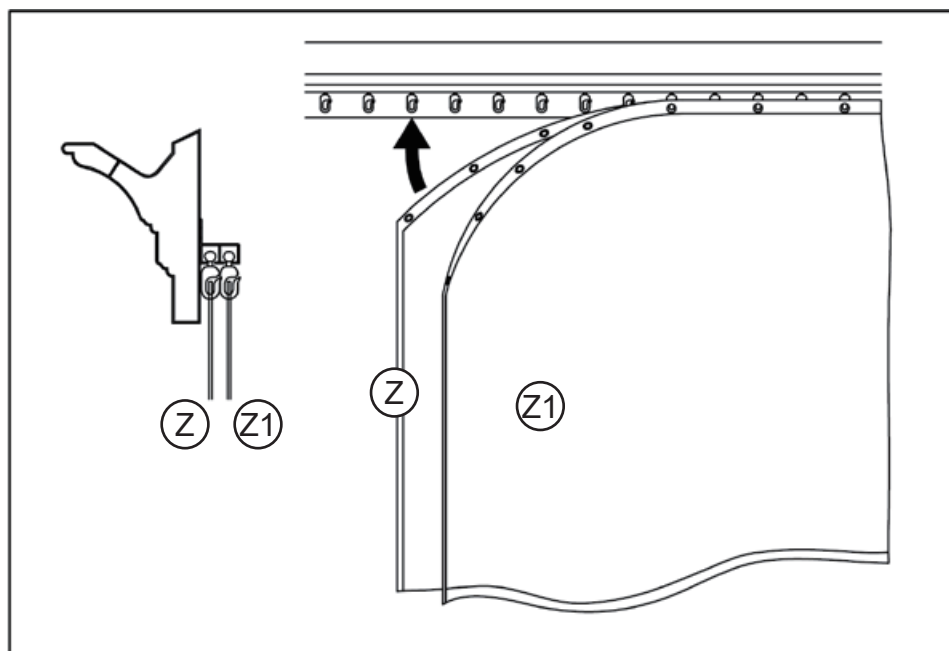


41

Lay out the outer curtain (Z) and gauze curtain according to the following graph.



Hang the curtains onto the curtain rail hooks.



43

Affix the gazebo to the ground.



(T1) 12x

or



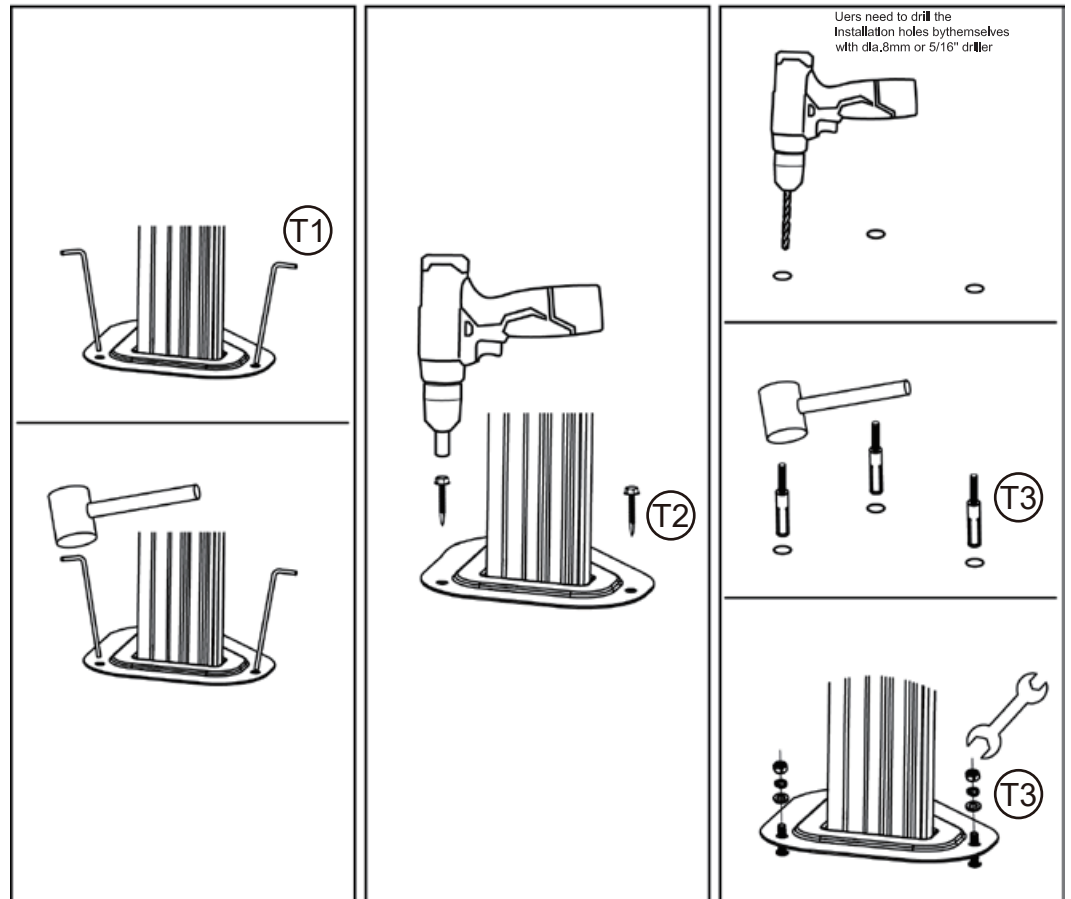
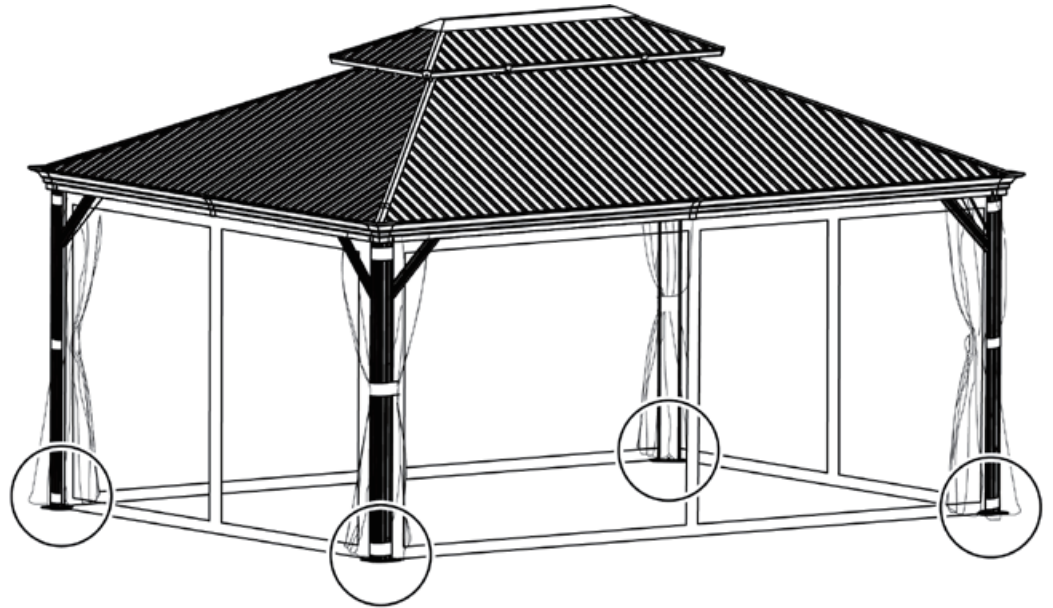
(T2) 12x

or



(T3) 12x

M6 x 50mm



On Lawn

On Wood Flooring

On Concrete Pavement

Users need to drill the installation holes by themselves with dia. 8mm or 5/16" drill

YOU'RE FINISHED!

BELLEZE®

FURNITURE CARE AND MAINTENANCE

Thank you for your purchase. We want your item to last as long as possible. To ensure the product gives you years of longevity, please follow the recommendations in this care and maintenance guide.



MAINTENANCE

- Tighten all bolts and screws again within the first 2 weeks of assembly.
- Check the tightness of all bolts every 2 months and tighten them if necessary.



CLEANING

- Clean the surface of the gazebo with a lightly dampened cloth.
- A small amount of mild soap can be used if necessary.
- Dry the surface immediately after cleaning.

⚠ DO NOT use bleach or alcohol to clean the curtains.

⚠ WARNING

The manufacturer and seller are not responsible for any and all liability relating to personal injury, property damage or losses, whether direct, indirect, or incidental, resulting from the incorrect attachment, improper use, inadequate maintenance, unapproved modification or neglect of this product.

© All copyright of this document belongs to BELLEZE.
This document may not be printed, translated, reproduced, or distributed in whole or in part without written permission from BELLEZE.

WARRANTY

BELLEZE products come with a 1-year warranty from the date of delivery.
Register your product on our website to enjoy our limited lifetime warranty!



AFTER-SALE SERVICE



Encounter any difficulties or missing parts?



Contact us at **1-800-682-6376** or email us at **support@belleze.com**



We will send you replacement.



Hassle free!
No need to worry about repackaging and sending your item back.

We hope you enjoy your new BELLEZE furniture!
Share your photos on Instagram and tag us: @bellezefurniture.

FOLLOW US:



@bellezefurniture

CONTACT INFO:

support@belleze.com
1-800-682-6376

BELLEZE®