
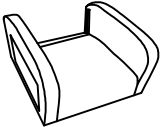


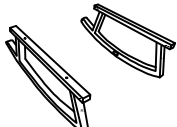
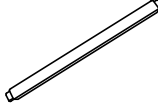
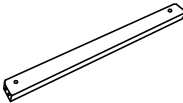


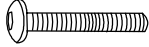


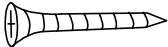



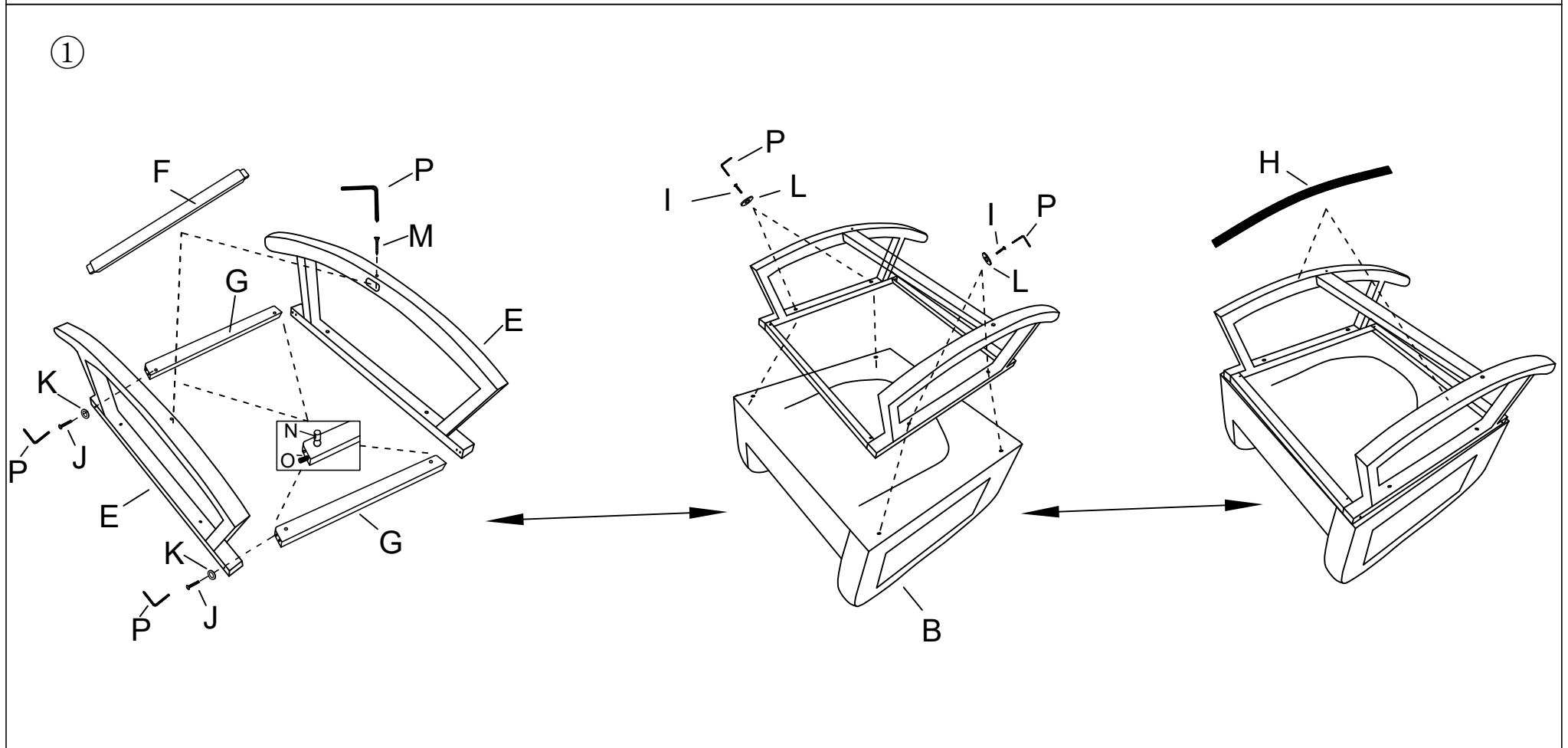
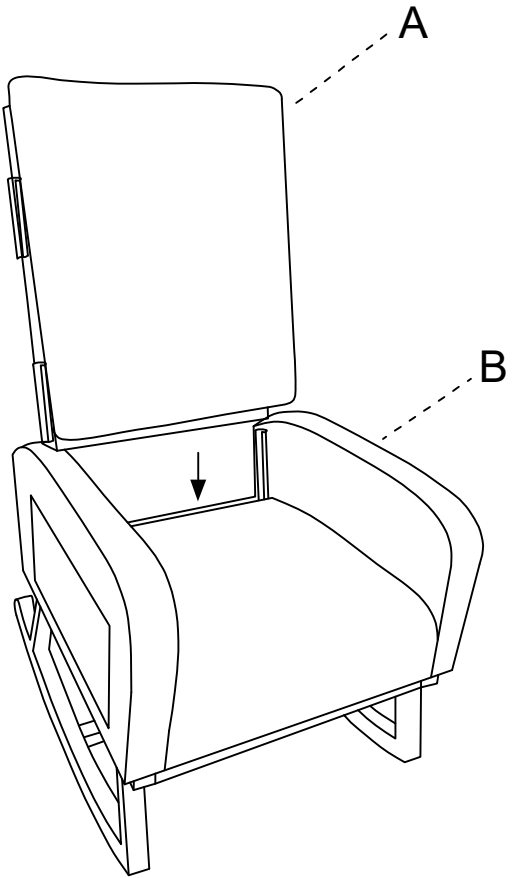


ASSEMBLY INSTRUCTION

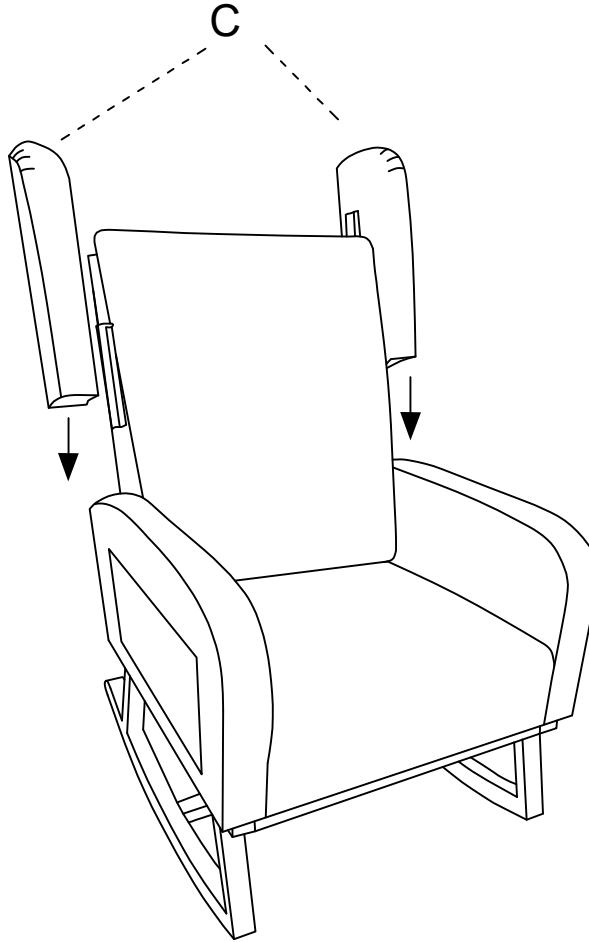
Ax1 	Bx1 	Cx2 	Dx1 	Ex2 	Fx1 	Gx2 	Hx2 
Ix4 m6*50mm 	Jx4 m8*70mm 	Kx4 $\phi 14$ mm 	Lx4 $\phi 22$ mm 	Mx2 	Nx4 	Ox4 	Px1 



②



③



④

