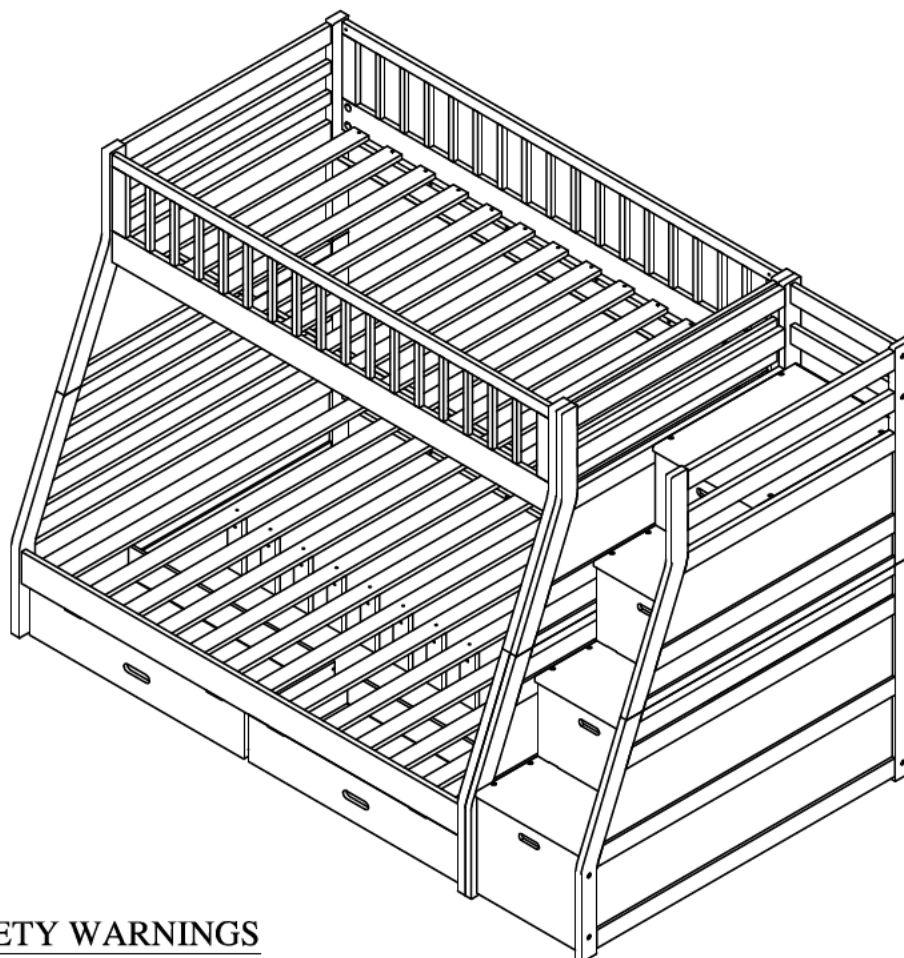


ASSEMBLY INSTRUCTION

NOTE : Do Not Fully Tighten Screws until Fully Assembled

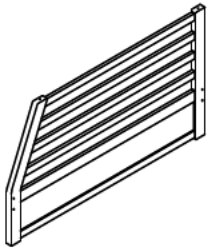
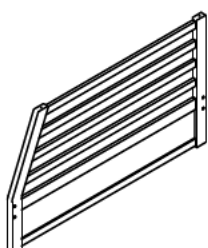

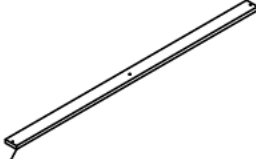
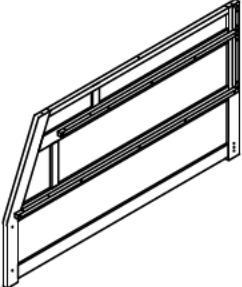
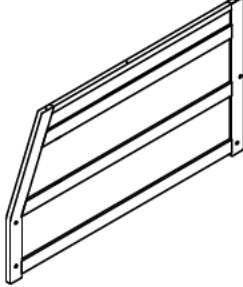
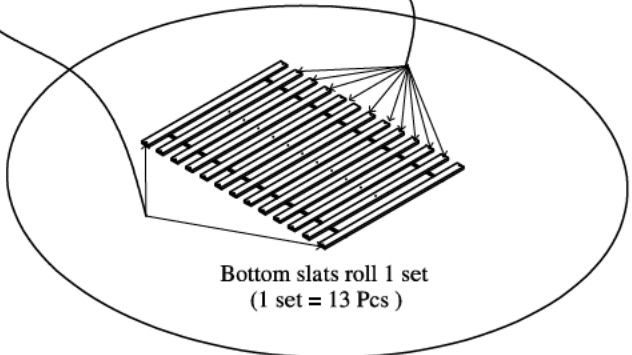


SAFETY WARNINGS


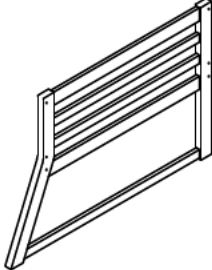
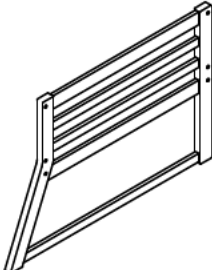
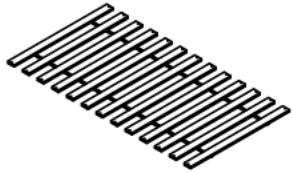
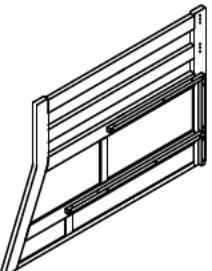
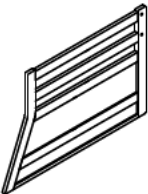
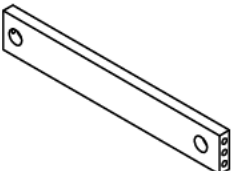
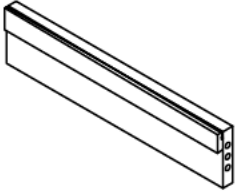
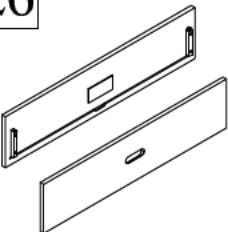
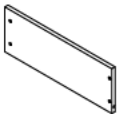
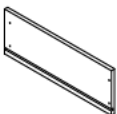
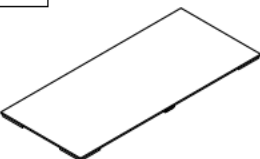

1. Follow the information on the warning label appearing on the upper bunk end structure and on the carton... **Do not remove warning label from bed.**
2. Always use the recommended size mattress or mattress support, or both, to help prevent the likelihood of entrapment or falls.
3. Surface of mattress must be at least 5 inches below the upper edge of guard rails.
4. Do not allow children under 6 years to use the upper bunk.
5. Prohibit more than one person on upper bunk.
6. Periodically check and ensure that the guardrail, ladder, and other components are in their proper position, free from damage, and that all connectors are tight.
7. Do not allow horseplay on or under the bed and prohibit jumping on the bed.
8. Always use the ladder for entering and leaving upper bunk.
9. Do not use substitute part. Contact the manufacturer or dealer for replacement part.
10. Use of night light may provide added safety precaution for a child using the upper bunk.
11. If the bunk bed will be placed next to a wall, the guardrail that runs the full length of the bed should be placed against the wall to prevent entrapment between the bed and the wall.
12. Always use guardrail on both long sides of the upper bunk.
13. The use of water or sleep flotation mattresses is prohibited.
14. Keep these instruction for future reference.
15. Strangulation Hazard - Never attach or hang items to any part of the bunk bed that are not designed for use with the bed, for example, but not limited to hooks, belts and jump rores.

Note : Do Not Fully Tighten Screws until Fully Assembled

Box A (1 + 2 + 5 + 6 +16 + 17)



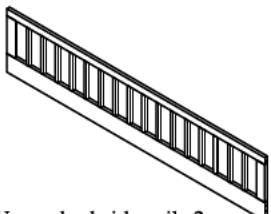
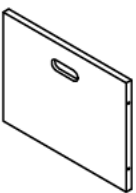
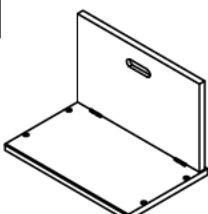
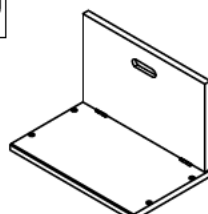
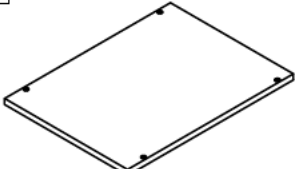
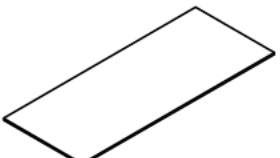
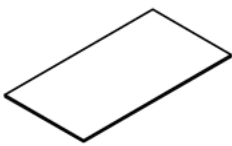
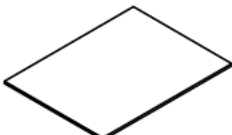
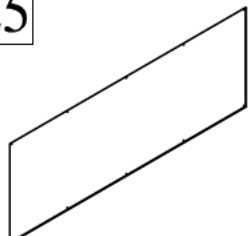
<p>1</p>  <p>Bottom bed left panel 1pc</p>	<p>2</p>  <p>Bottom bed right panel 1pc</p>	<p>5</p>  <p>Bottom slats 2pcs</p>	<p>6</p>  <p>Bottom slats 11 pcs</p>
<p>16</p>  <p>Bottom left panel 1pc for steps</p>	<p>17</p>  <p>Bottom right panel 1pc for steps</p>	 <p>Bottom slats roll 1 set (1 set = 13 Pcs)</p>	

Box B (7 + 8 + 9 + 11 + 12 + 13 + 14 + 15 + 26 + 27A+27B + 28 +29)

<p>7</p>  <p>Center supports 11 pcs</p>	<p>8</p>  <p>Top bed left panel 1pc</p>	<p>9</p>  <p>Top bed right panel 1pc</p>	<p>11</p>  <p>Upper slats roll 1 set (1 set = 13 Pcs)</p>	
<p>12</p>  <p>Top left panel 1pc for steps</p>	<p>13</p>  <p>Top right panel 1pc for steps</p>	<p>14</p>  <p>Upper back bars 2pcs for steps</p>	<p>15</p>  <p>Lower back bar 1pc for steps</p>	
<p>26</p>  <p>Front drawers 2pcs</p>	<p>27A</p>  <p>Drawer left side panel 2 pcs</p>	<p>27B</p>  <p>Drawer right side panel 2 pcs</p>	<p>28</p>  <p>Bottom drawers 2pcs</p>	<p>29</p>  <p>Back drawers 2pcs</p>






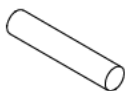






Note : Do Not Fully Tighten Screws until Fully Assembled

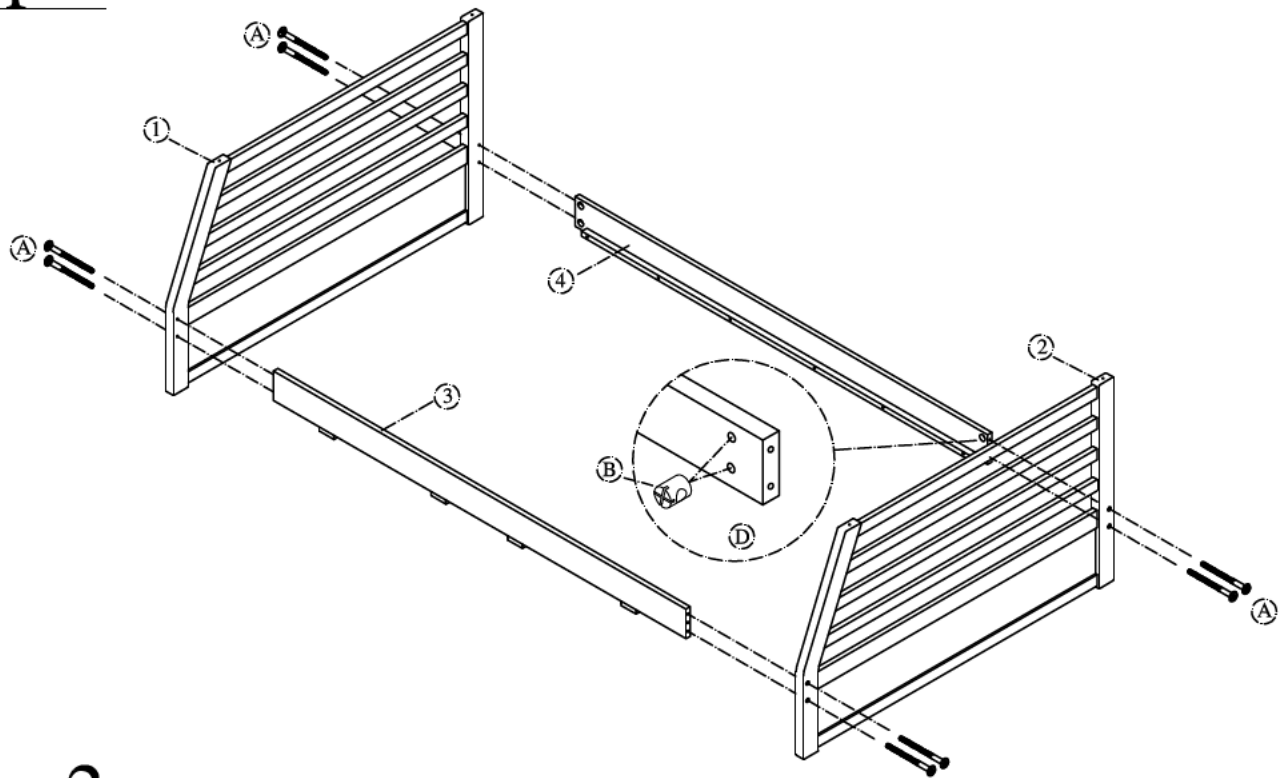
Box C (3+4+10+18+19+20+21+22+23+24+25)

3  Lower bed front side rail with drawer stopper 1pc	4  Lower bed back side rail 1pc	10  Upper bed side rails 2pcs	18  Front panel steps (A) 1pc
19  Front panels (B)+ Step panel (A) 1 set	20  Front panels (B)+ Step panel (B) 2 set	21  Bottom panel (A) 1pc for steps	22  Bottom panel (A) 1pc for steps
23  Bottom panel (B) 1pc for steps	24  Bottom panel (C) 1pc for steps	25  Back panel 1pc for steps	

HARDWARE & ILLUSTRATION

Packing in Box A

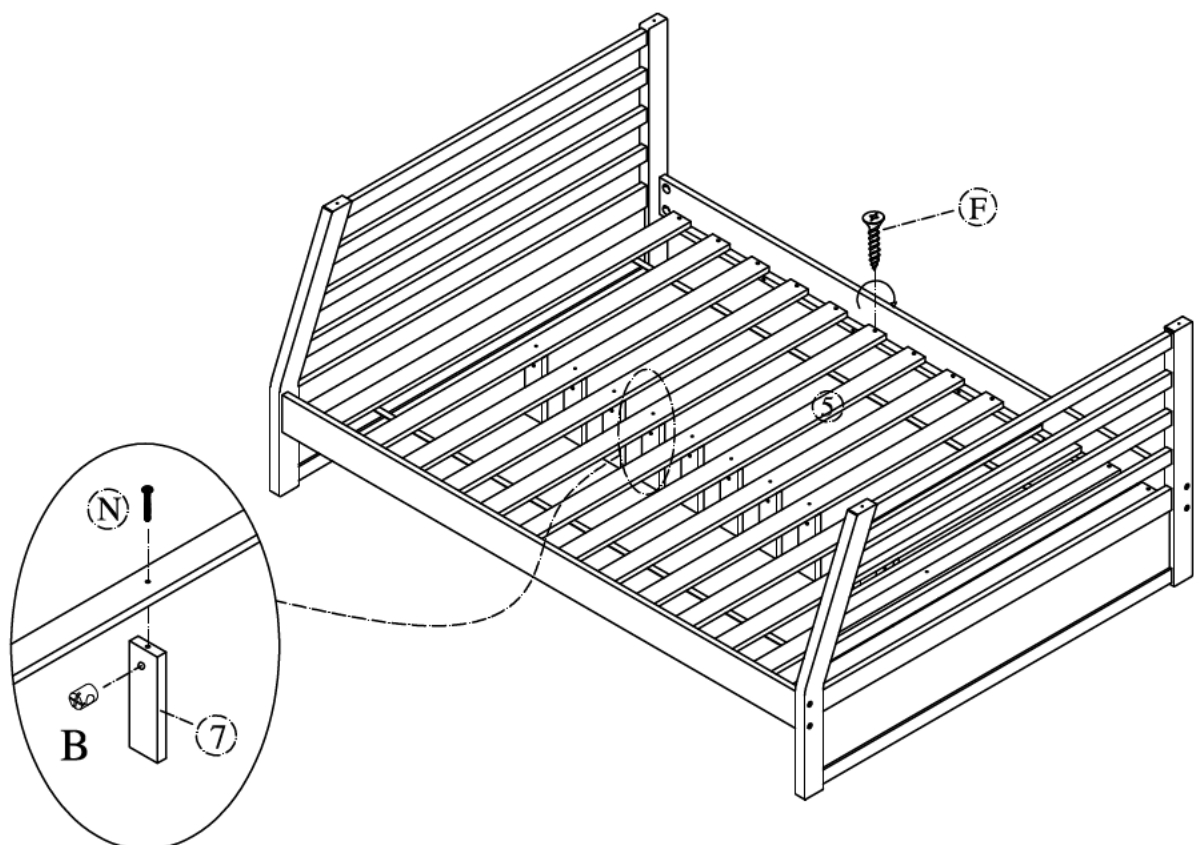
A  Ø15 x 1/4" x 76 mm Hex-Head bolts 26pcs	B  Ø10 x 1/4" x 12mm Horizontal-Hole bolts 37 pcs	C  Ø13 x 1/4" x 35 mm Hex-Head bolts 20 pcs	D  Ø8x 30 mm Wood dowel 14 pcs	F  Ø8 x 35 mm Wood Screws 60 pcs
H  Ø10 x 90 mm Stell dowel 8pcs	I  Wheels Small 8pcs	J  Allen Key 1pc	K  Ø7 x 15 mm Wood Screws 26 pcs	L  Ø8 x 20 mm Wood Screws 16pcs
M  Metal brackets 2pcs	N  Ø15 x 1/4" x 65 mm Hex-Head bolts 11 pcs			

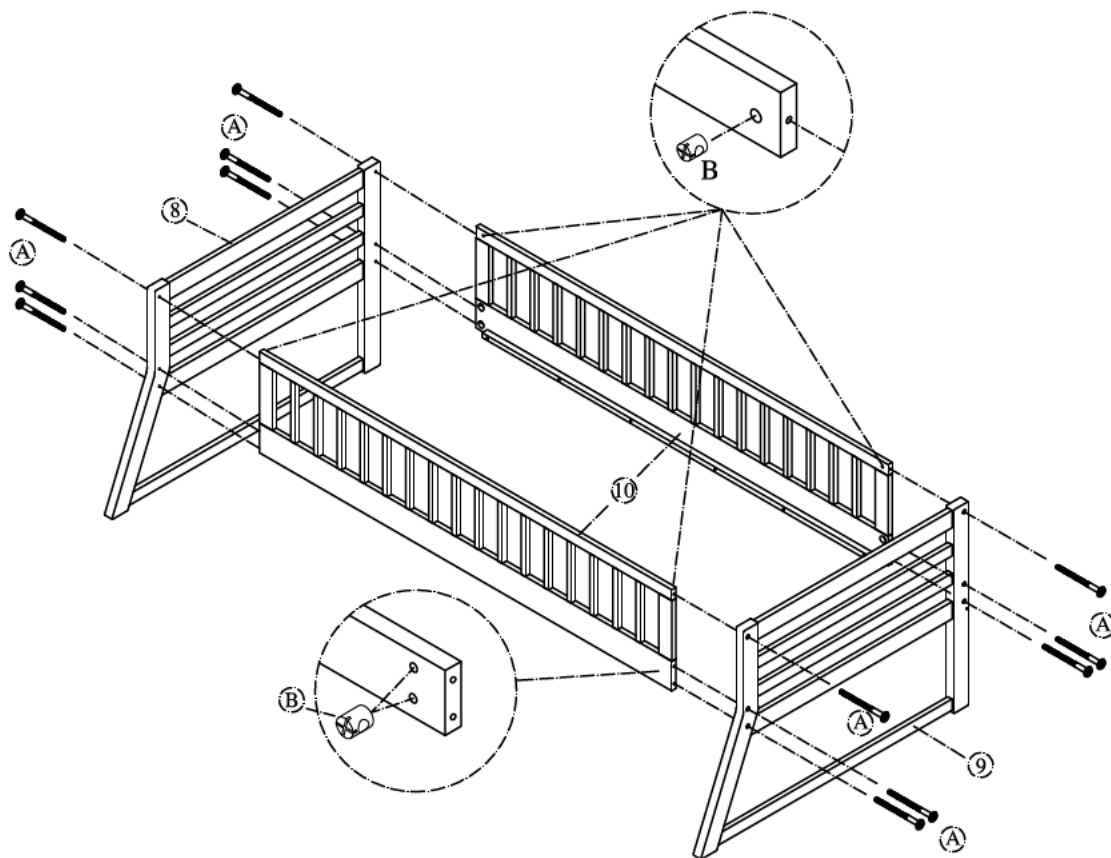


Step 2

NOTE.

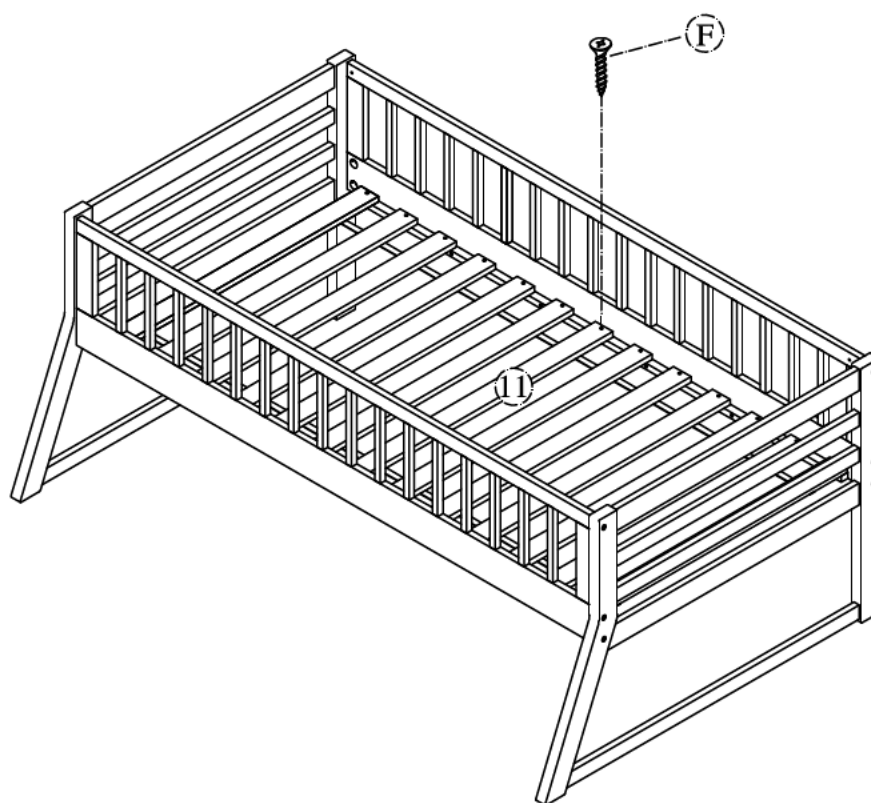
1. When installing the slats and optional support legs, please note that the far left and right slats will not have support legs.
2. Important Note: Remove the optional support legs when using the add-on trundle.
3. The slats have been precisely sized to fit standard mattresses. Side rails must be pushed together so that the slats are installed firmly on the slat support edge.



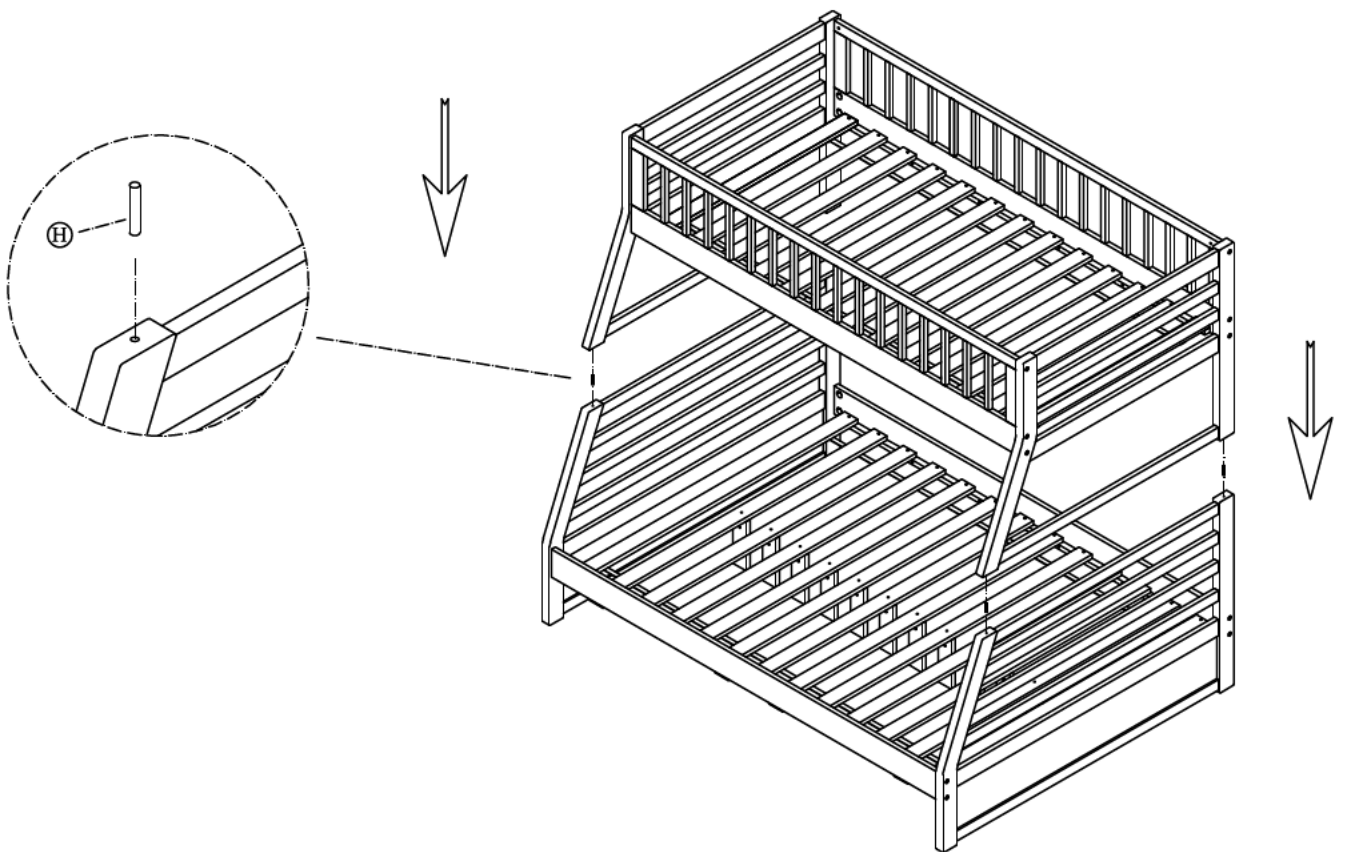


Step 4

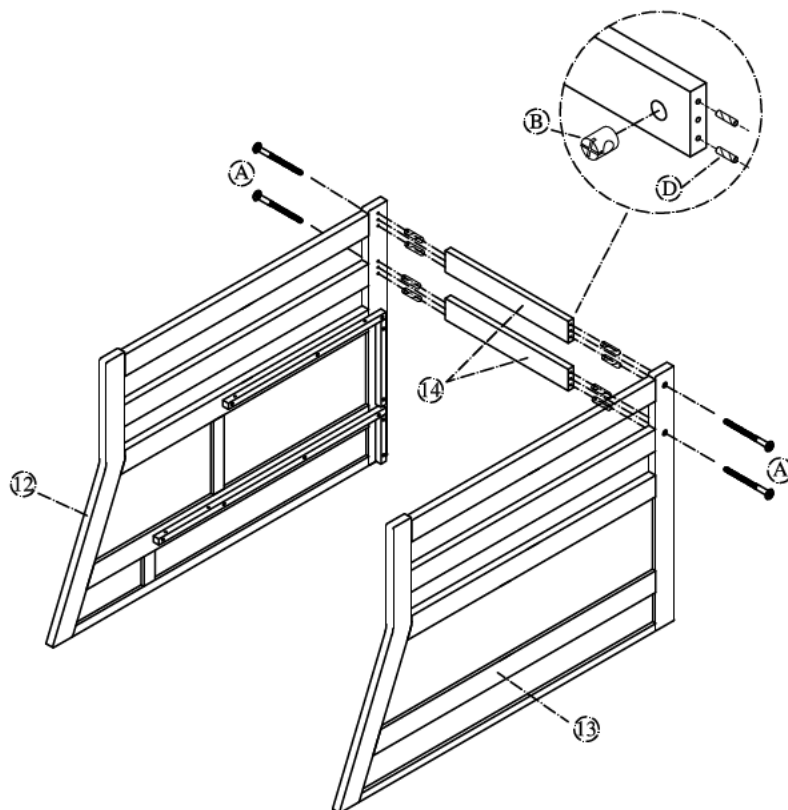
NOTE: The slats have been precisely sized to fit standard mattresses. Side rails must be pushed together so that the slats are installed firmly on the slat support edge.



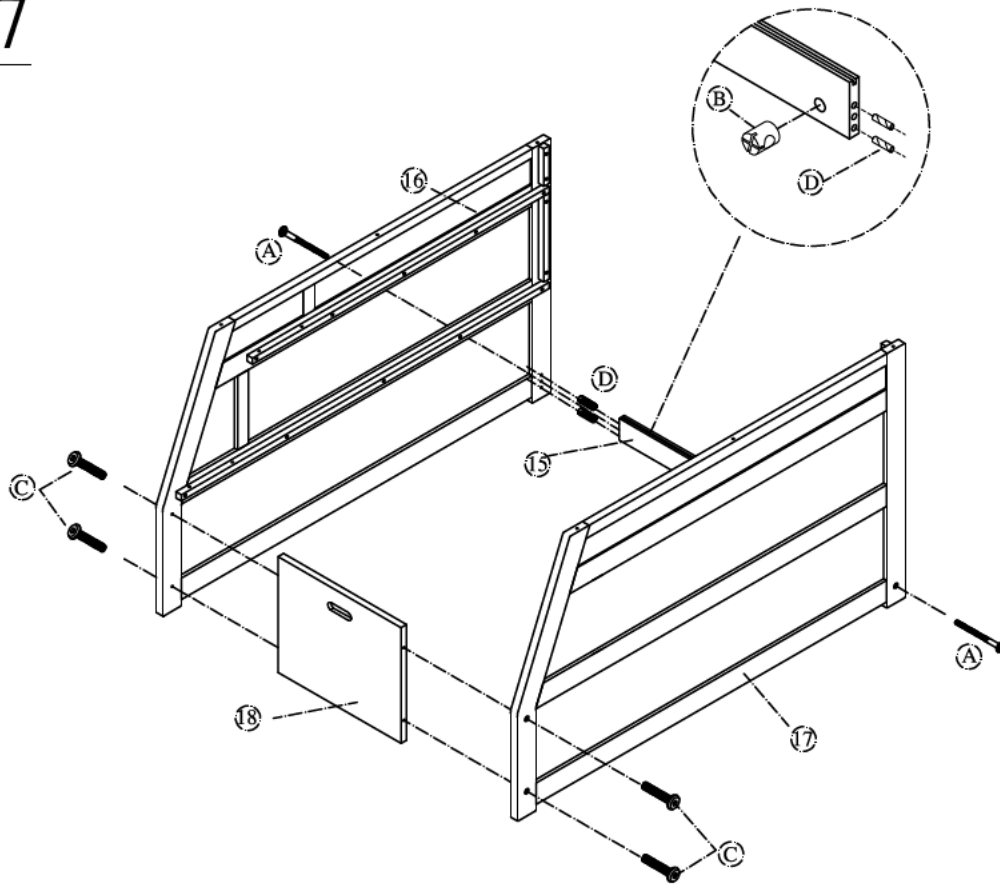
Step 5



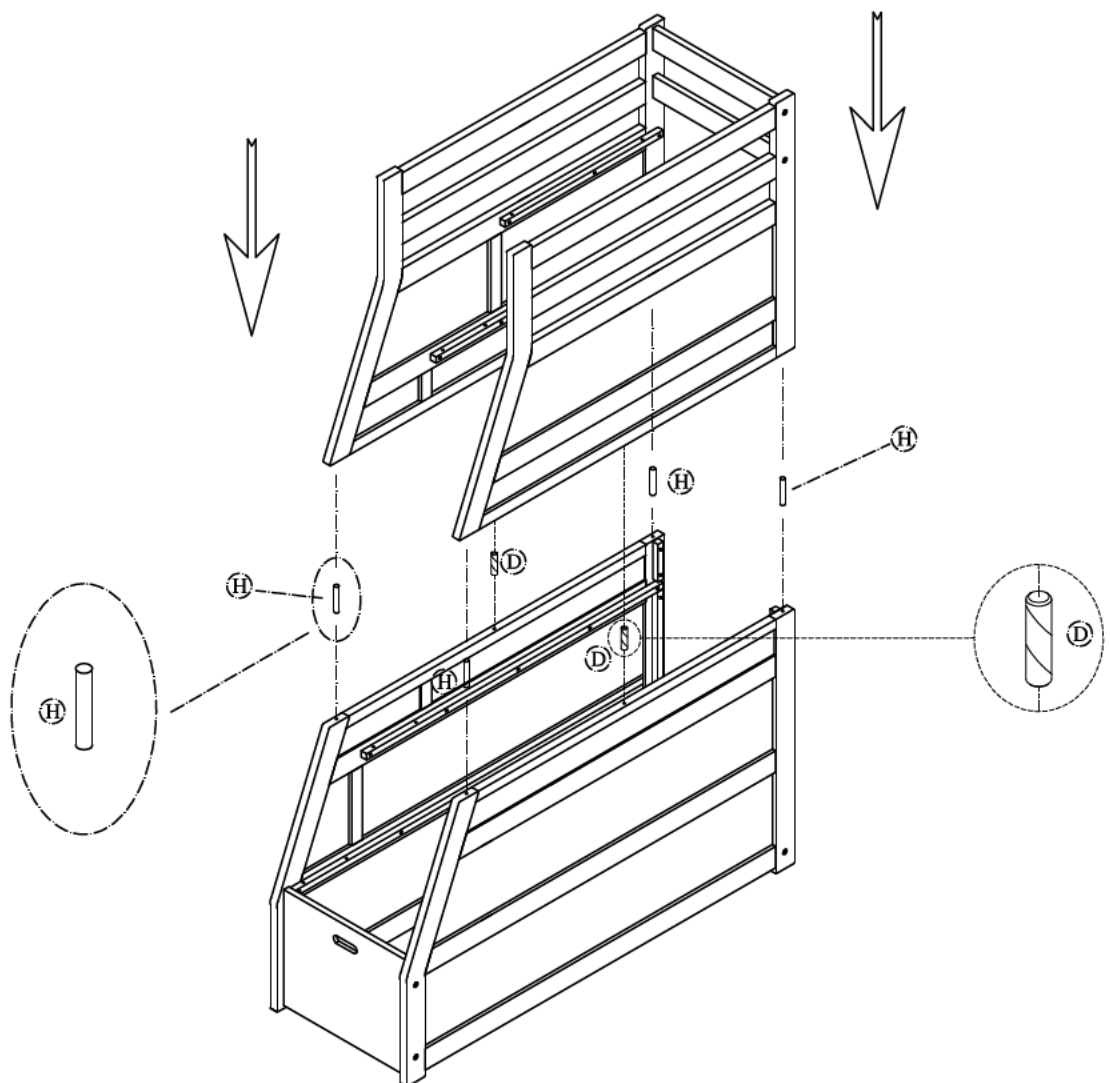
Step 6



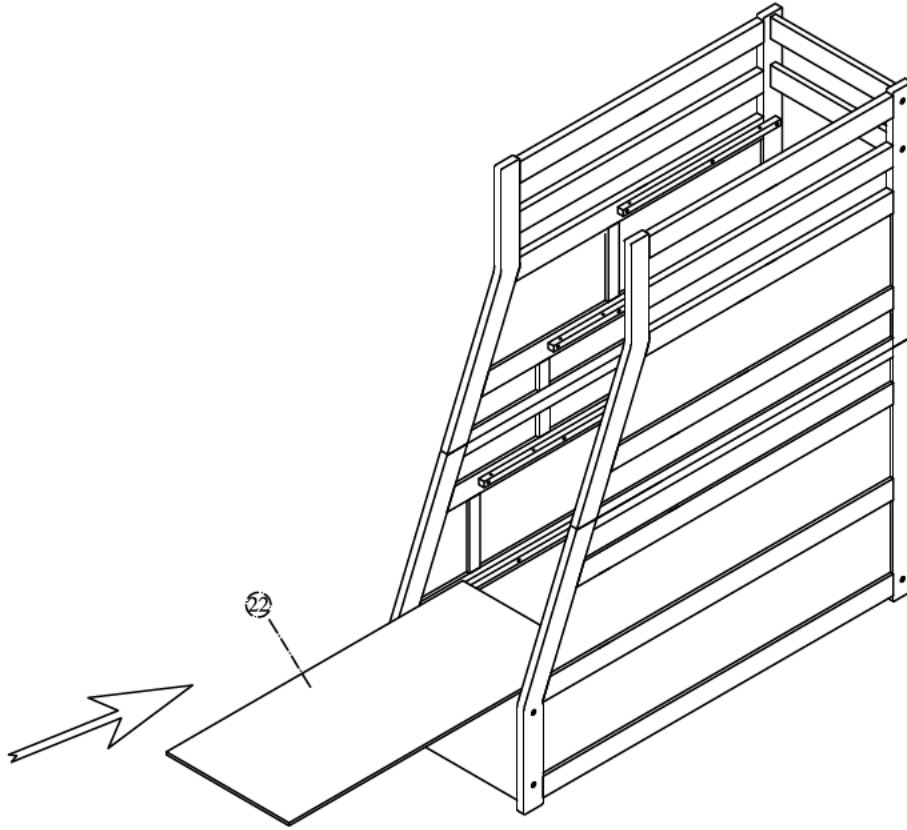
Step 7



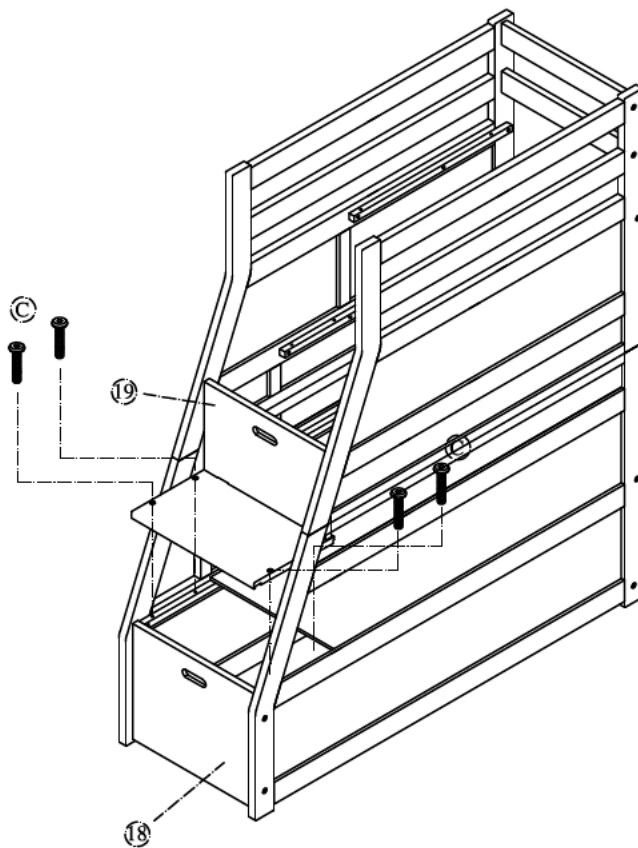
Step 8



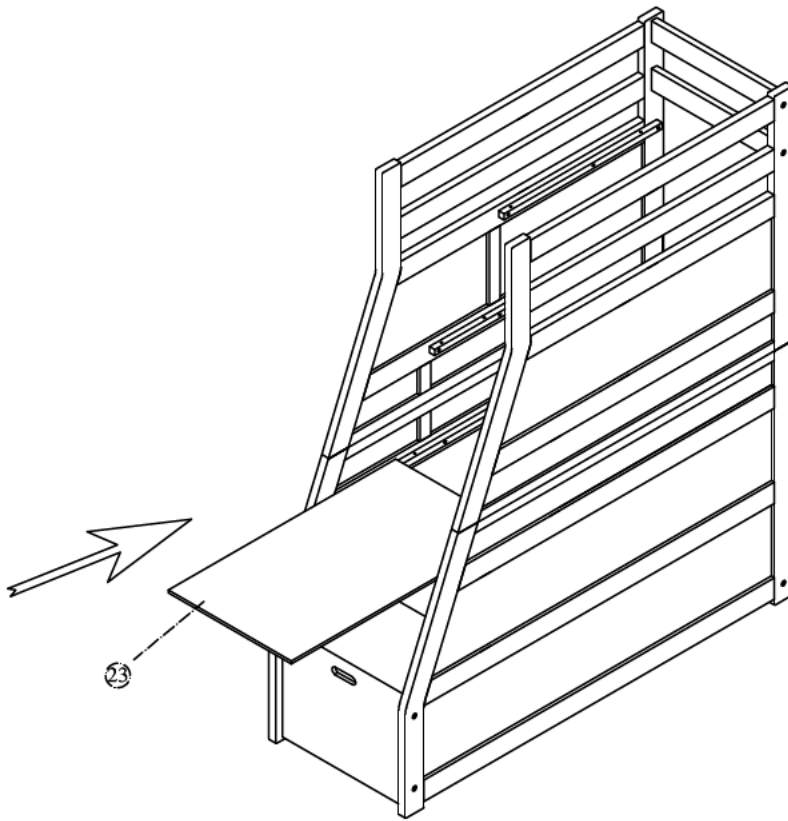
Step 9



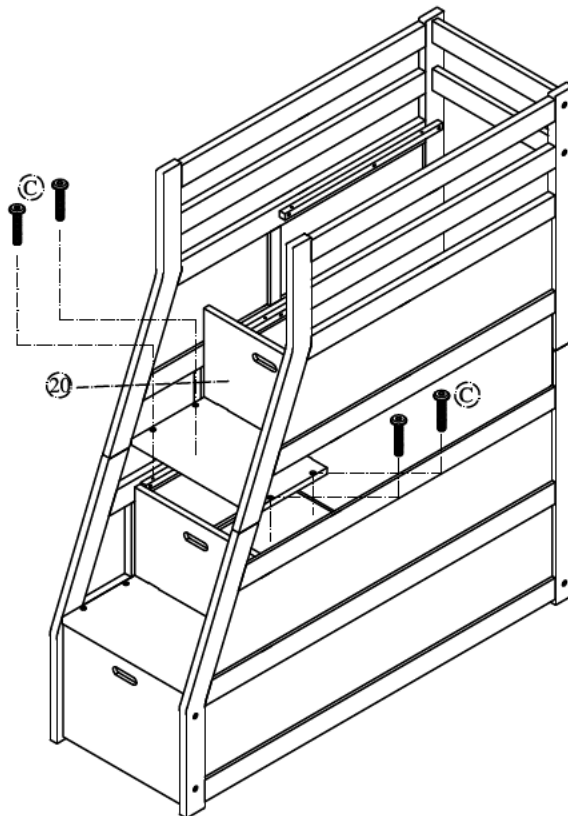
Step 10



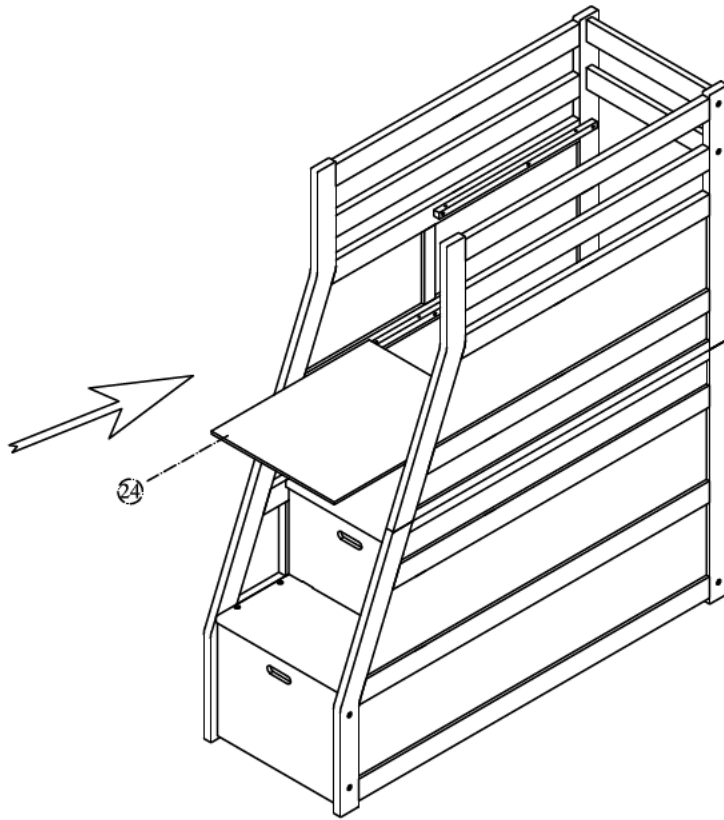
Step 11



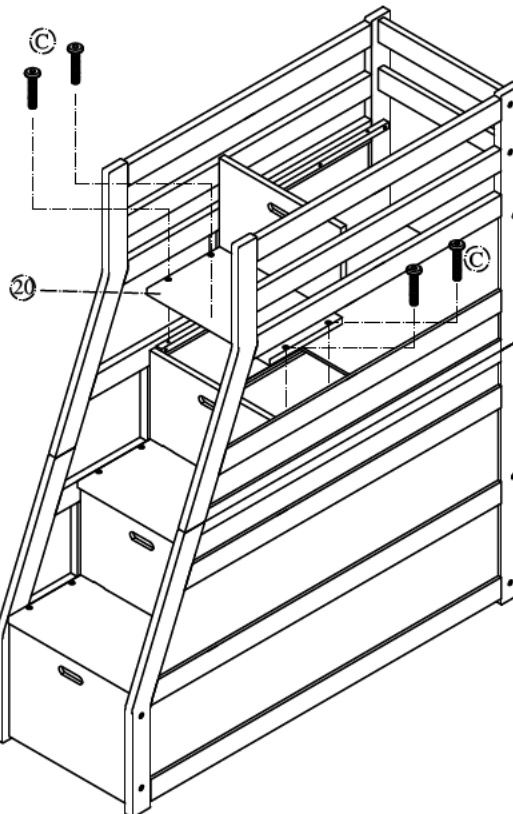
Step 12



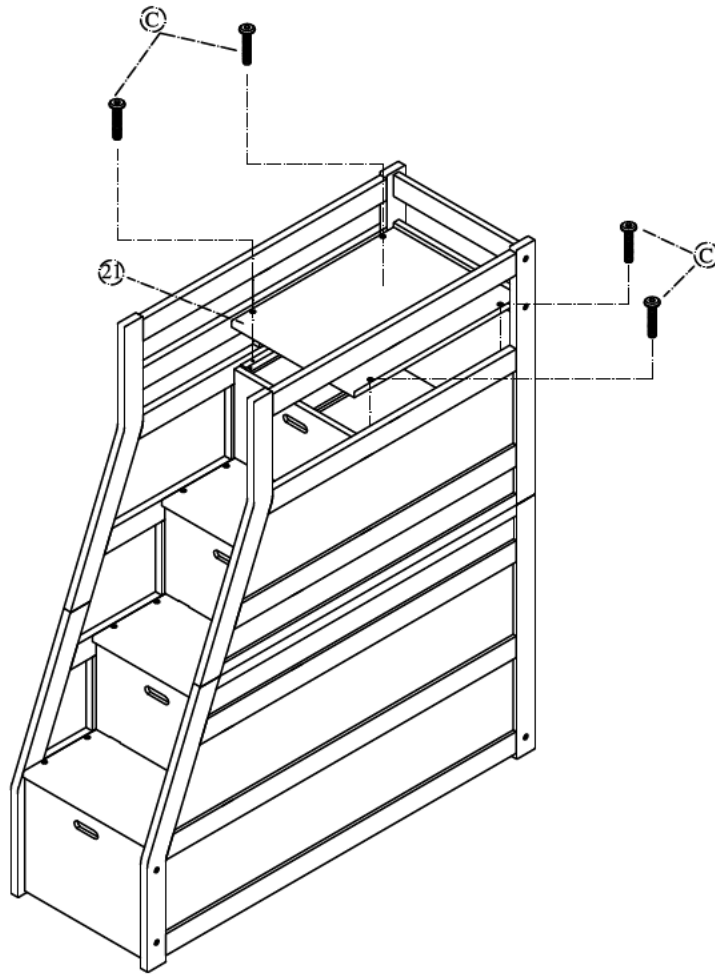
Step 13



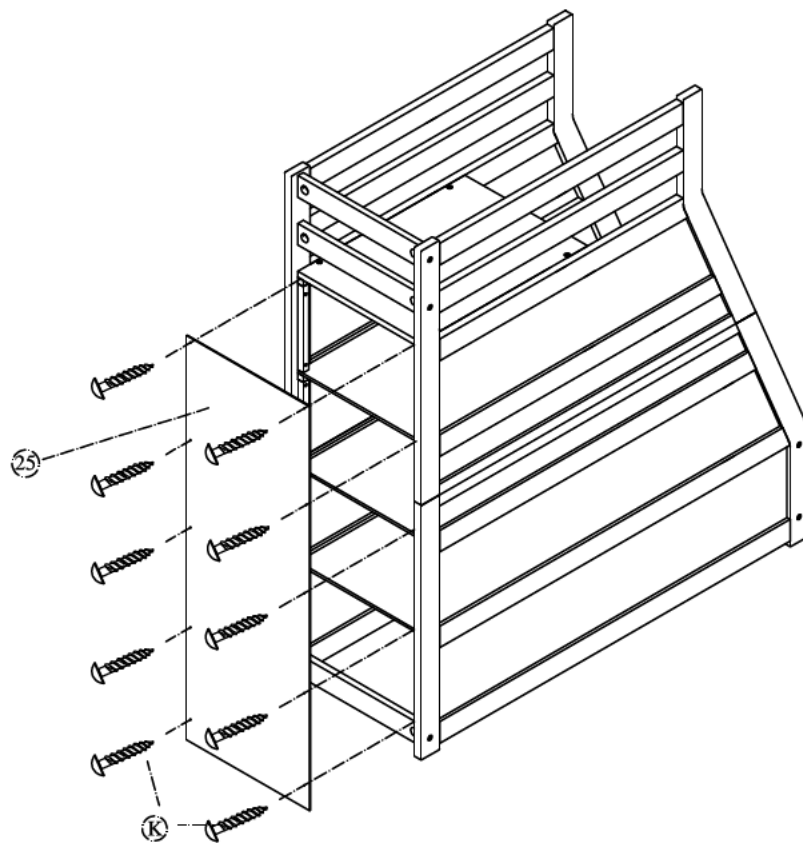
Step 14

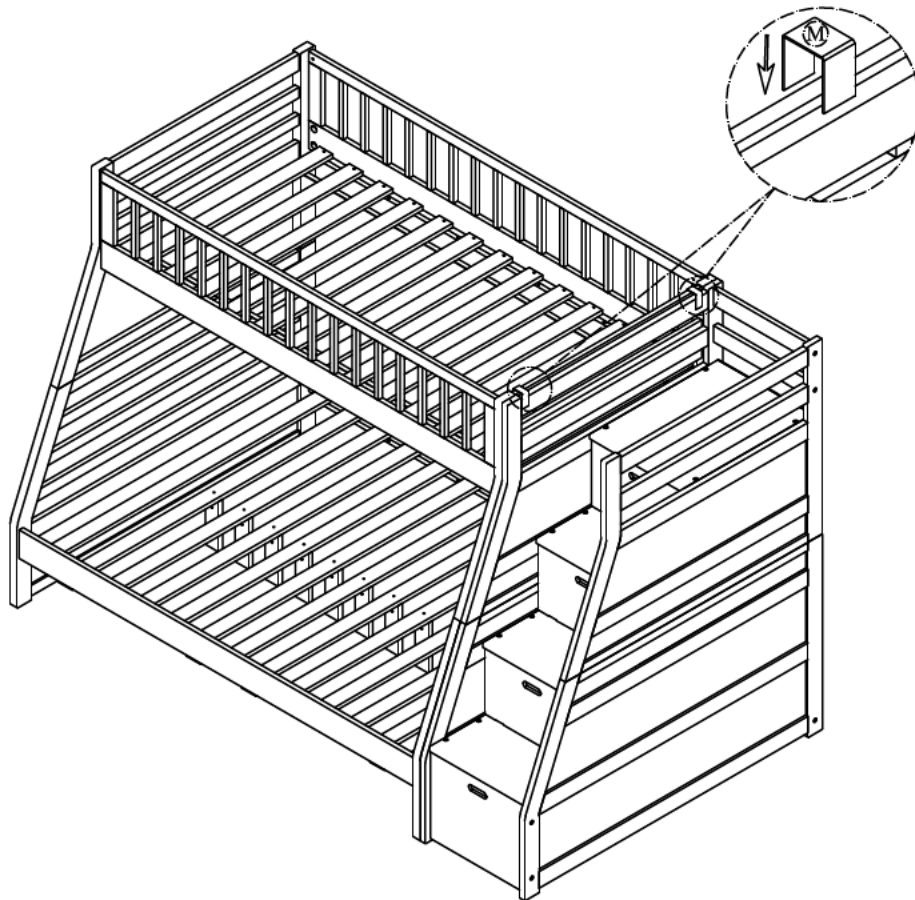


Step 15

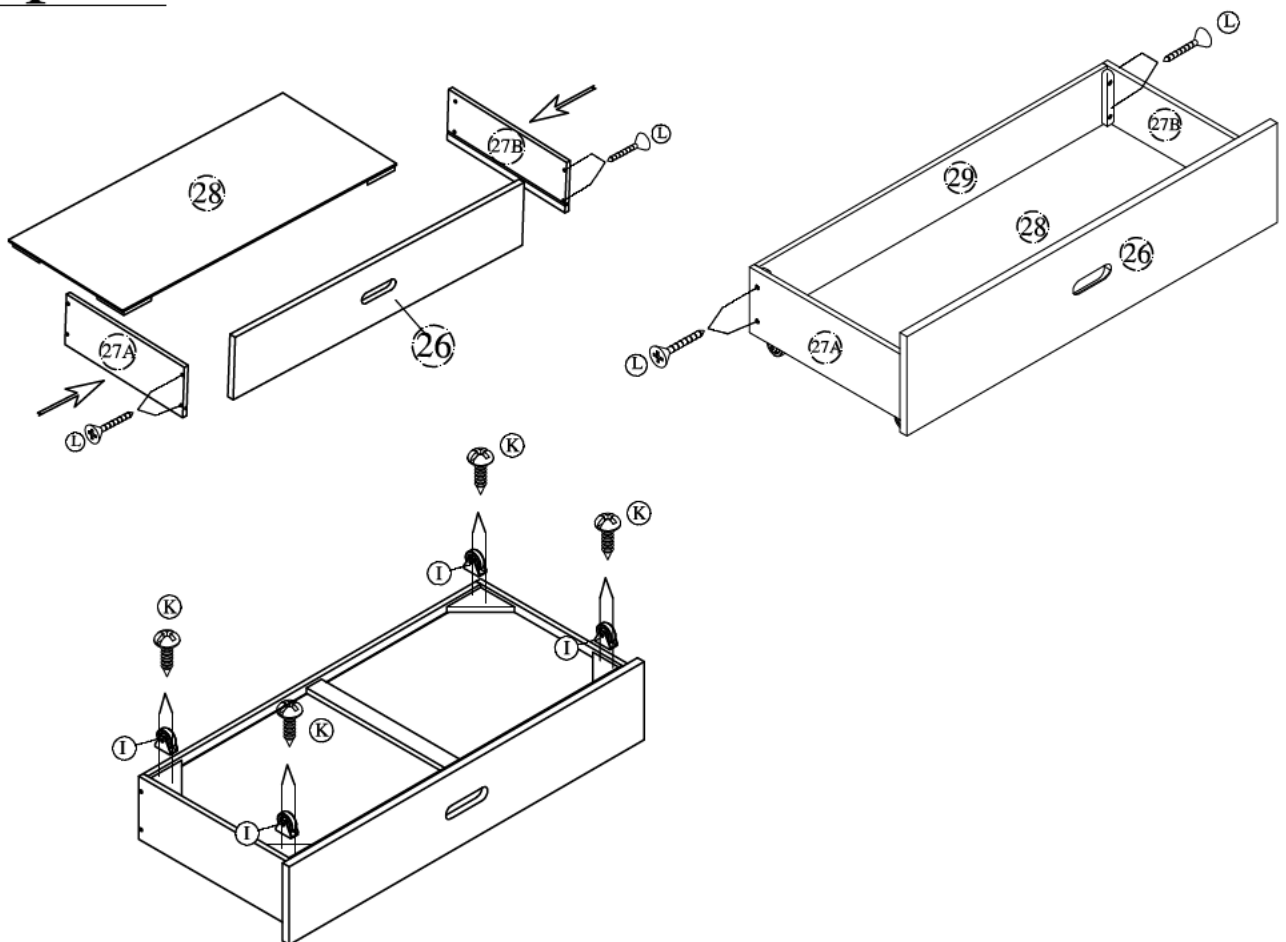


Step 16

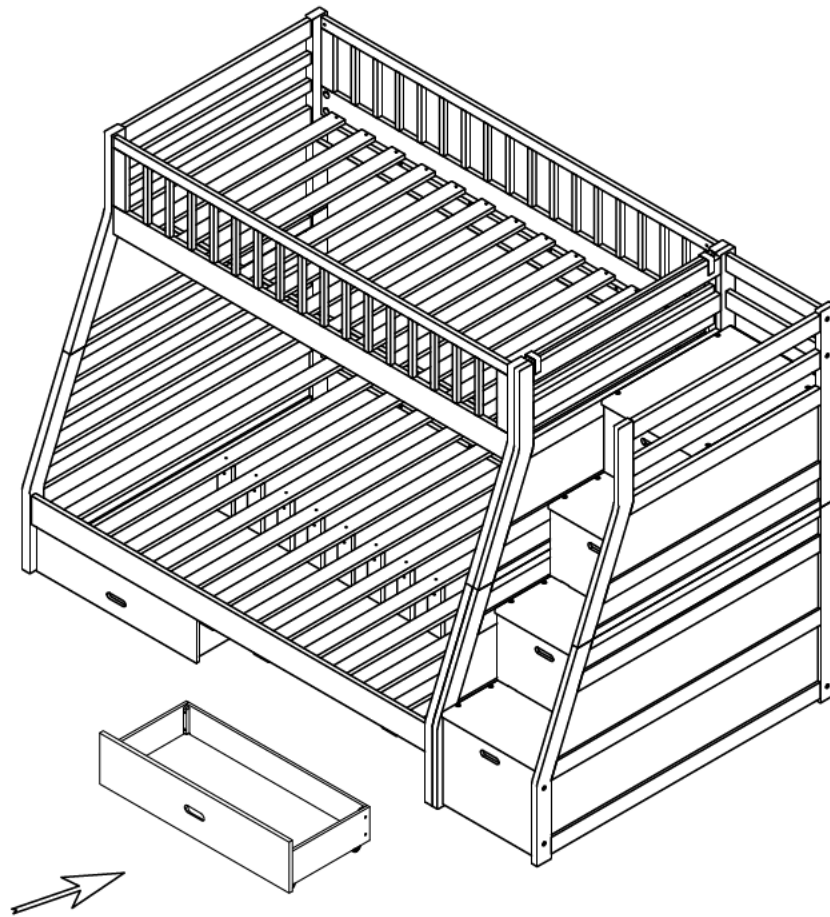




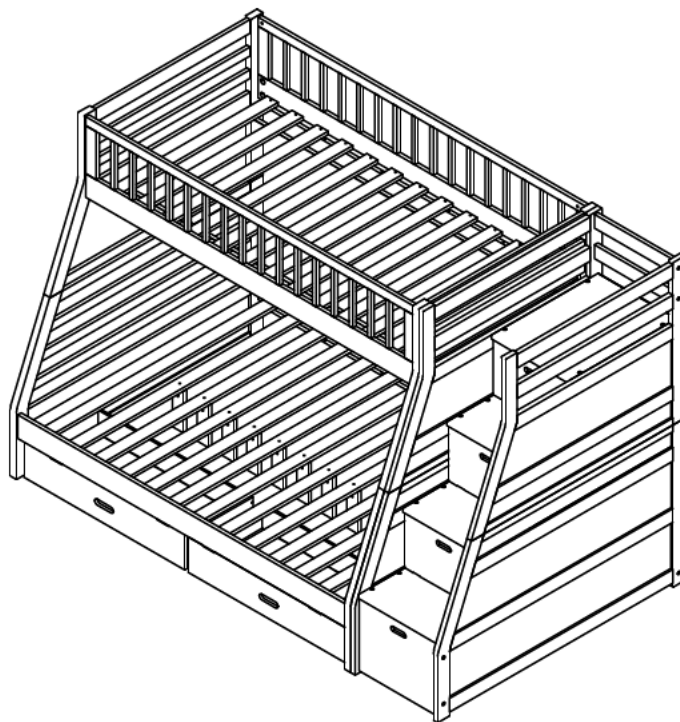
Step 18



Step 19



Step 20



ASSEMBLY COMPLETED