

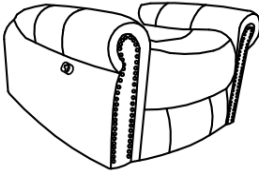
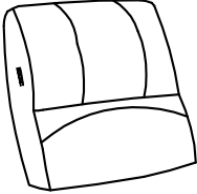


# Assembly Instructions

## CAUTION

**DO NOT** use any sharp objects to open plastic wrapped components as this may result damage to product or components .

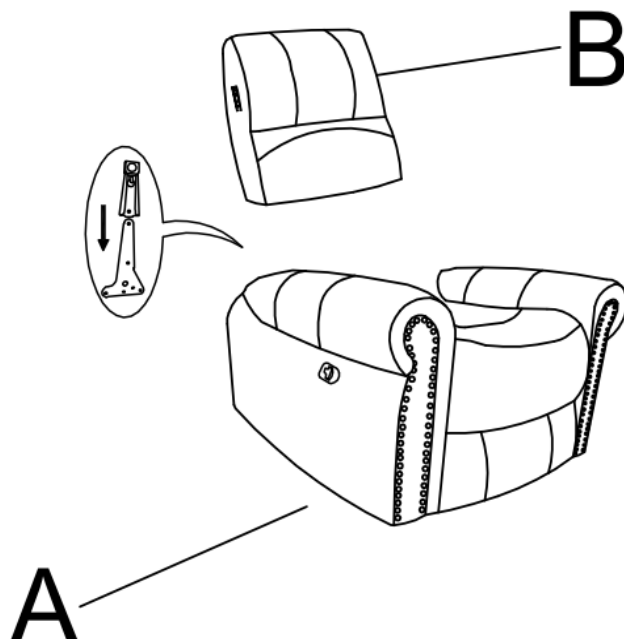
Your recliner comes packaged in **One** box. Carefully remove all of components from the packaging and setaside for assembly.

## Package Contents

<b>BOX 1</b>				
	<b>A*1</b>	<b>B*1</b>	<b>C*1</b>	<b>D*1</b>

### Step1 :

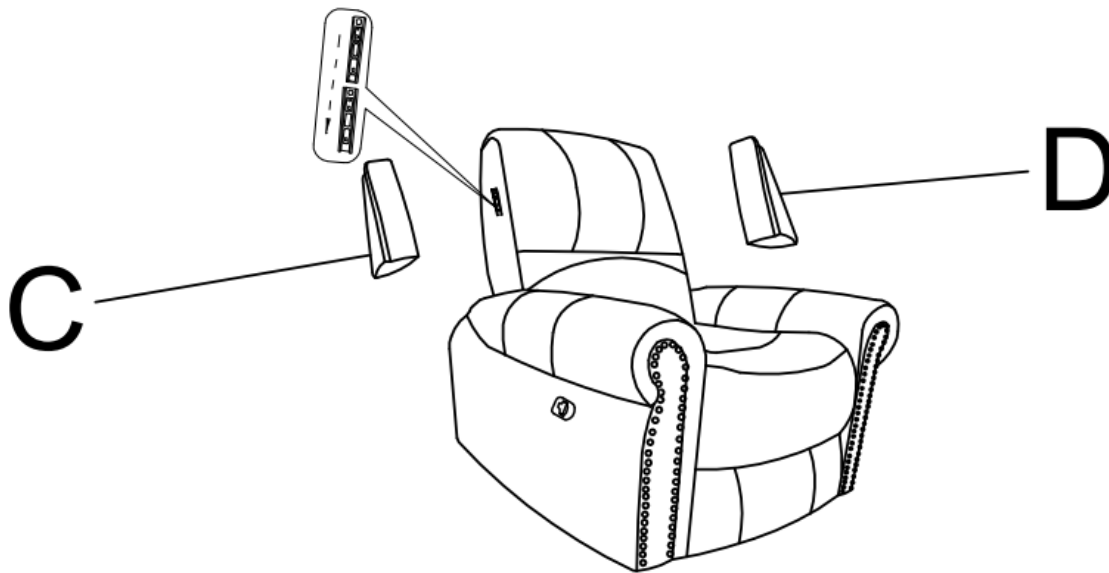
Install the **Chair Back (B)** on the **Chair Seat (A)** via aligning the metal grooves, making sure it is securely installed before use.



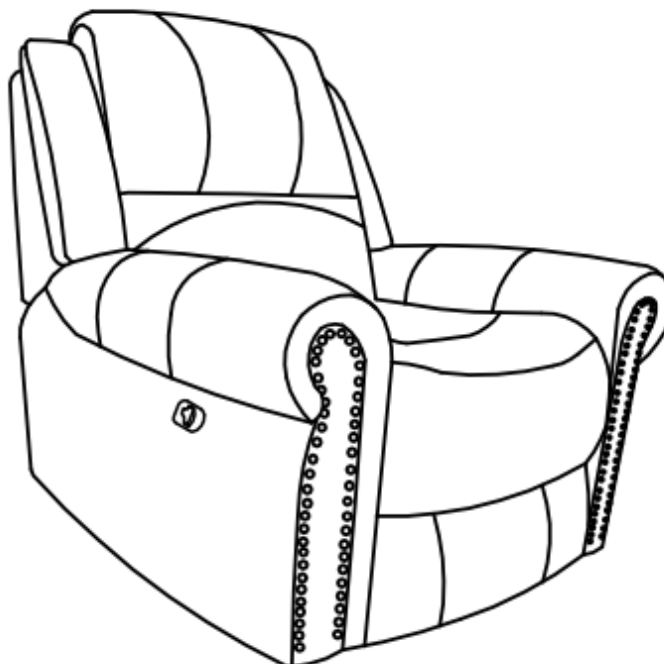
# 1 RECLINER ASSEMBLY - BODY SETUP

Step2 :

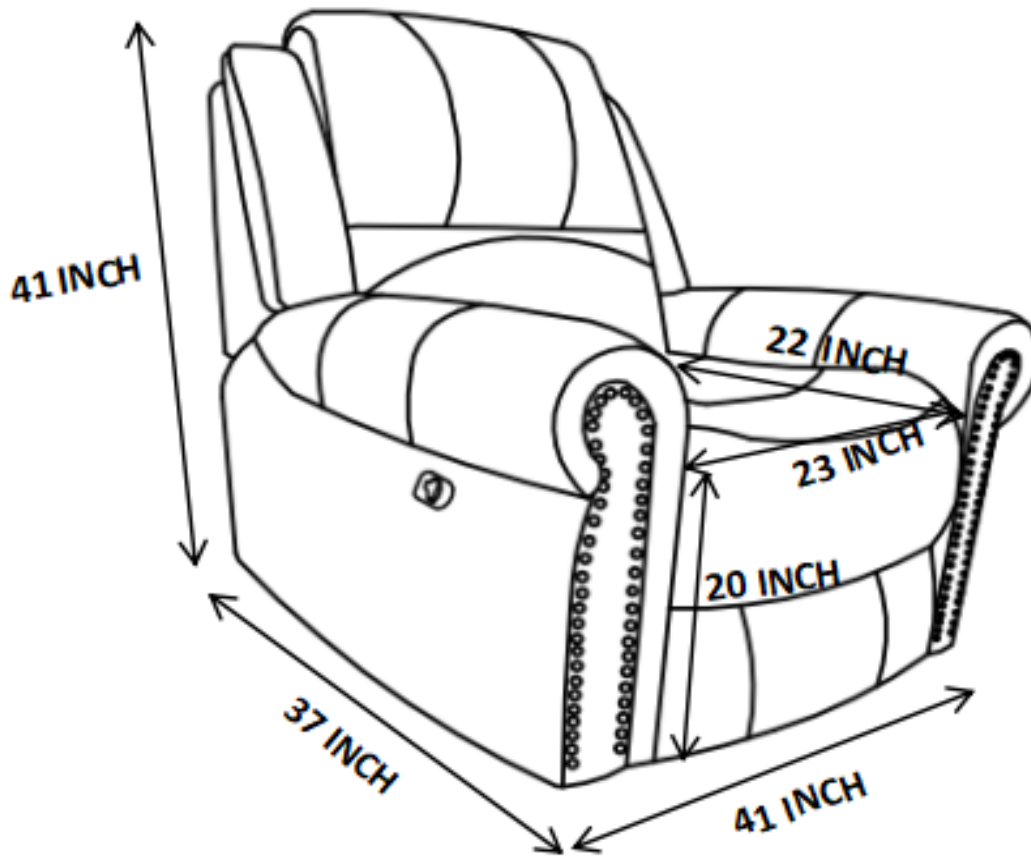
Attach **Ears (C&D)** to **Chair Back (B)** by aligning the metal sliders as shown. Ensure the **Ears (C&D)** slides down fully over the brackets on the **Chair Back (B)**.



**ASSEMBLY COMPLETED**



# 2 INSTRUCTIONS FOR USE - SIZE DIMENSIONS



## ⚠️ WARNINGS

1. Please check if the components of the chair are all included and can be used normally.
2. Assemble all components according to the instruction correctly before you connect the chair to the power.
3. Please DO NOT sit on the armrests or footrest to eliminate the risk of tipping over.
4. If the chair is damaged or doesn't match the website description, please send clear pictures of the product and label of the carton to our service team for further help.
5. If the recliner doesn't work, you may try the following measures for self-checking firstly:
  - a) check if all the cables are connected;
  - b) check if the light of transformer is on.

If the chair still doesn't work, please feed the information back to our customer service in time and we will help you solve the matter as soon as possible.

6. If you have any questions about our products, please contact us by:

