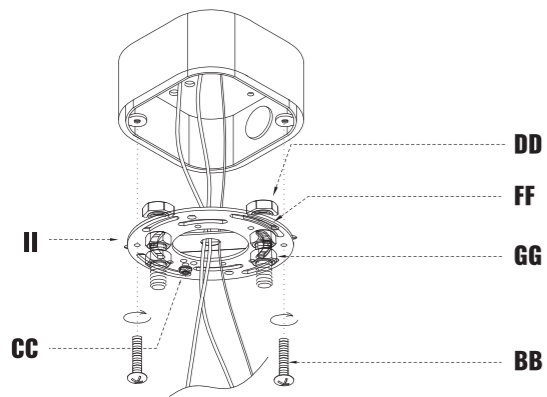


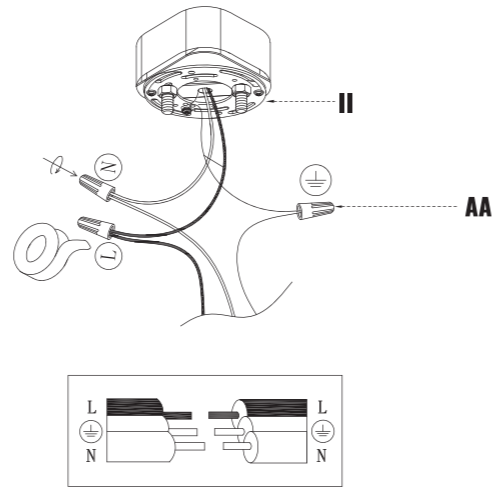
4. MOUNTING AND WIRING

STEP 1 Install Mounting Bracket.



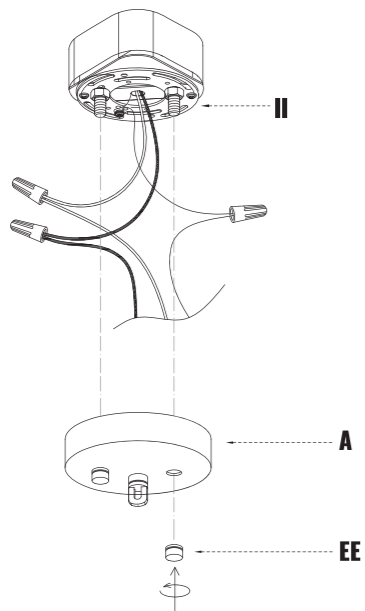
1. Loosen the cap nut (EE) from canopy (A), take out the mounting bracket (II).
2. Take off the screws from outlet box, secure the mounting bracket (II) onto the box with screws taken off or outlet box screw (BB).

STEP 2 Connect the Power Wires and Ground Wire.



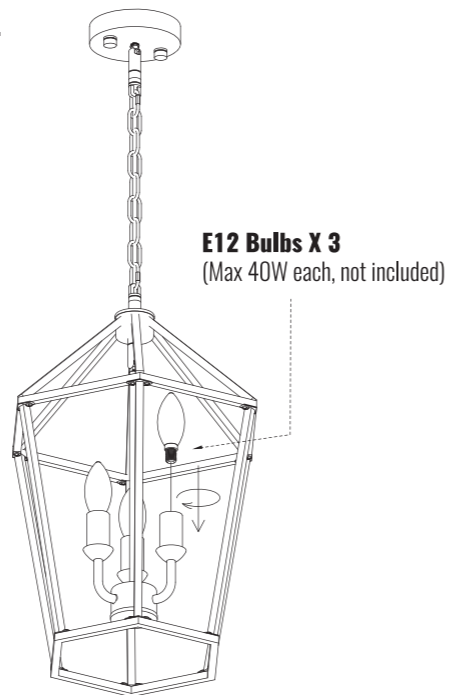
1. Connect the wires from the fixture to the house supply wires with wire nuts (AA), ground wire (green, green/yellow, or bare) to ground wire, neutral wire (white) to neutral wire, and hot wire (black) to the hot wire. Wrap the connection with electrical tape.
2. Spread apart the wires so that the hot wires are on one side of the outlet box and the neutral wires are on the other side.

STEP 3 Fix the Canopy.

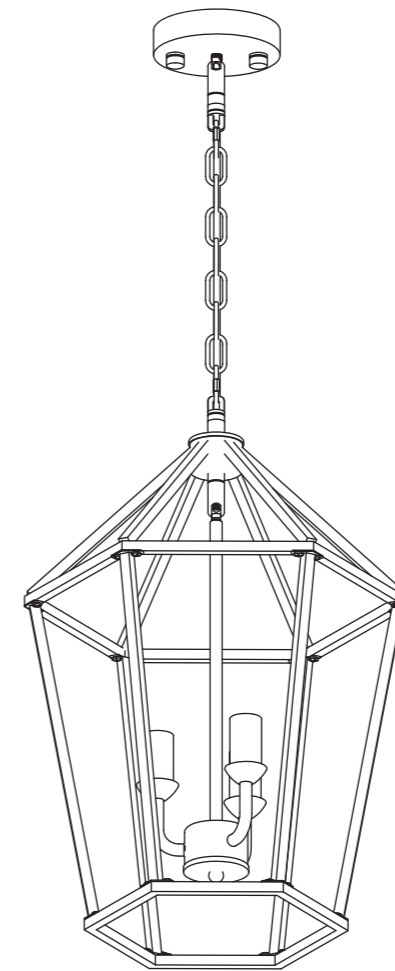


Fix the canopy (A) on to the mounting bracket (II) with cap nuts (EE) taken off.

STEP 4 Install Bulb.



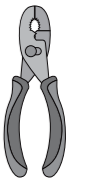
INSTALLATION MANUAL CHANDELIER



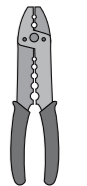
TOOLS REQUIRED



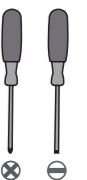
Ladder



Pliers

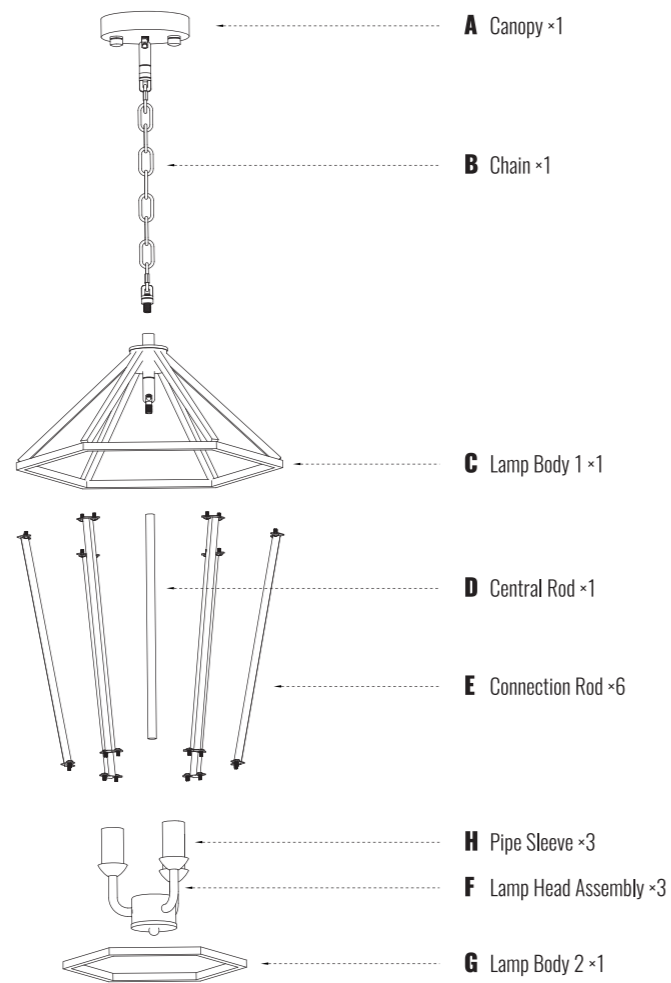


Wire Strippers



Screwdrivers

1. PACKING LIST



2. INSTALLATION KIT

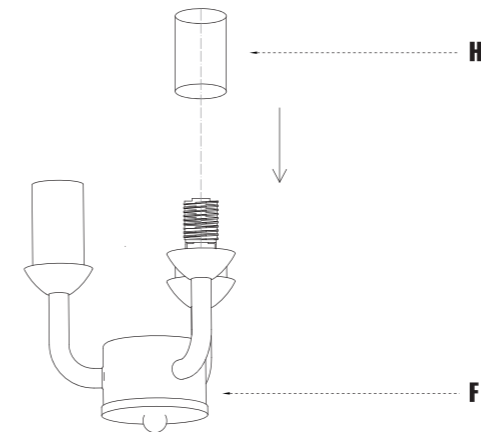
AA	3×	BB	2×	CC	1×	DD	2×	EE	2×
Wire Nut		Outlet Box Screw		Ground Screw		Hex Bolt		Cap Nut	
FF	2×	GG	4×	HH	24×	II	1×	JJ	1×
Flat Washer		Hex Nut M6		Setscrew M4		Mounting Bracket		Gloves	

NOTE:
 1. The setscrew M4 (HH) are already been pre-installed on the lamp body 1 (C) and lamp body 2 (G). You must loosen them before installation. (See step 3 in Installation)
 2. Parts (CC),(DD),(EE),(FF),(GG),(II) have already been pre-installed together with canopy (A).

3. INSTALLATION

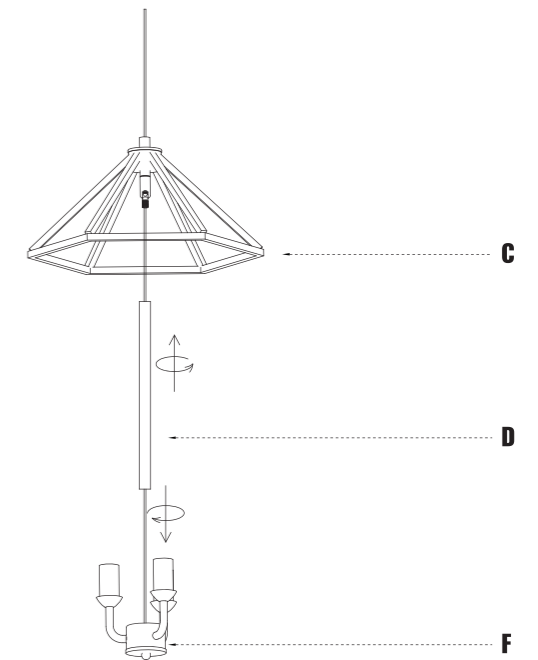
STEP 1

Fit the pipe sleeve (H) over the lamp head assembly (F).



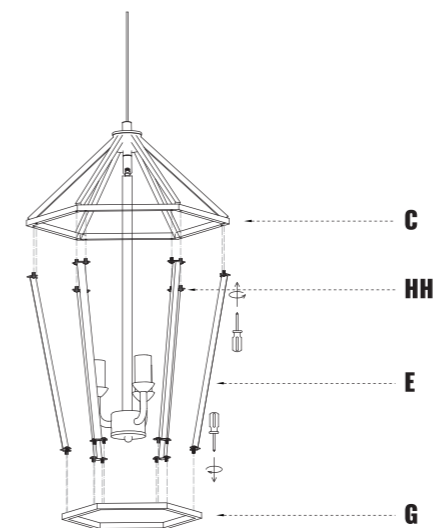
STEP 2

Join lamp body 1 (C) and lamp head assembly (F) using central rod (D).



STEP 3

Secure the setscrew M4 (HH) and connecting rod (E) tube to both lamp body 1 (C) and lamp body 2 (G).



STEP 4

Secure the connection by opening the shackle on hanging chain (B) and rotating it onto lamp body 1 (C).

