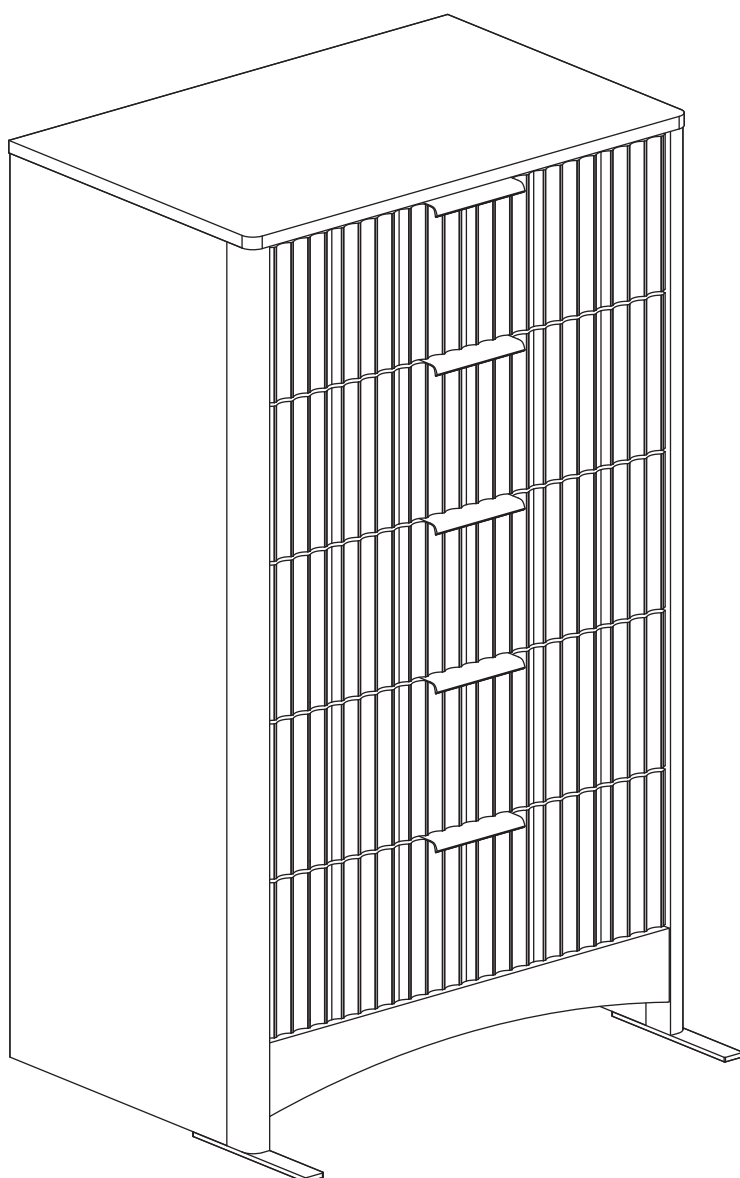
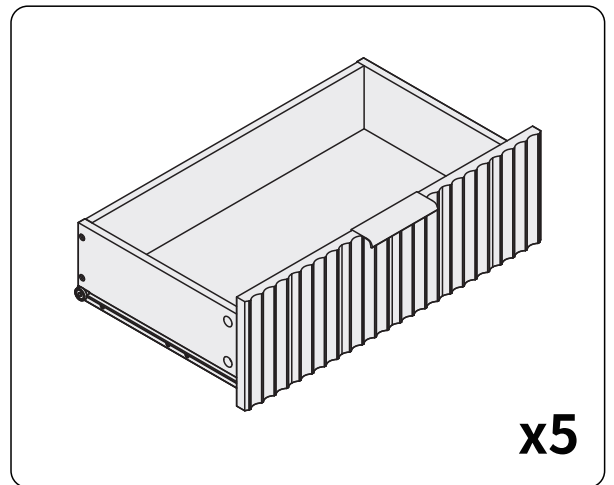
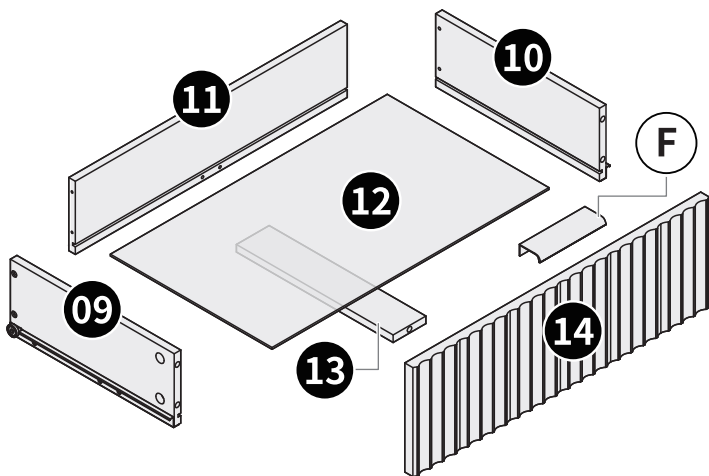
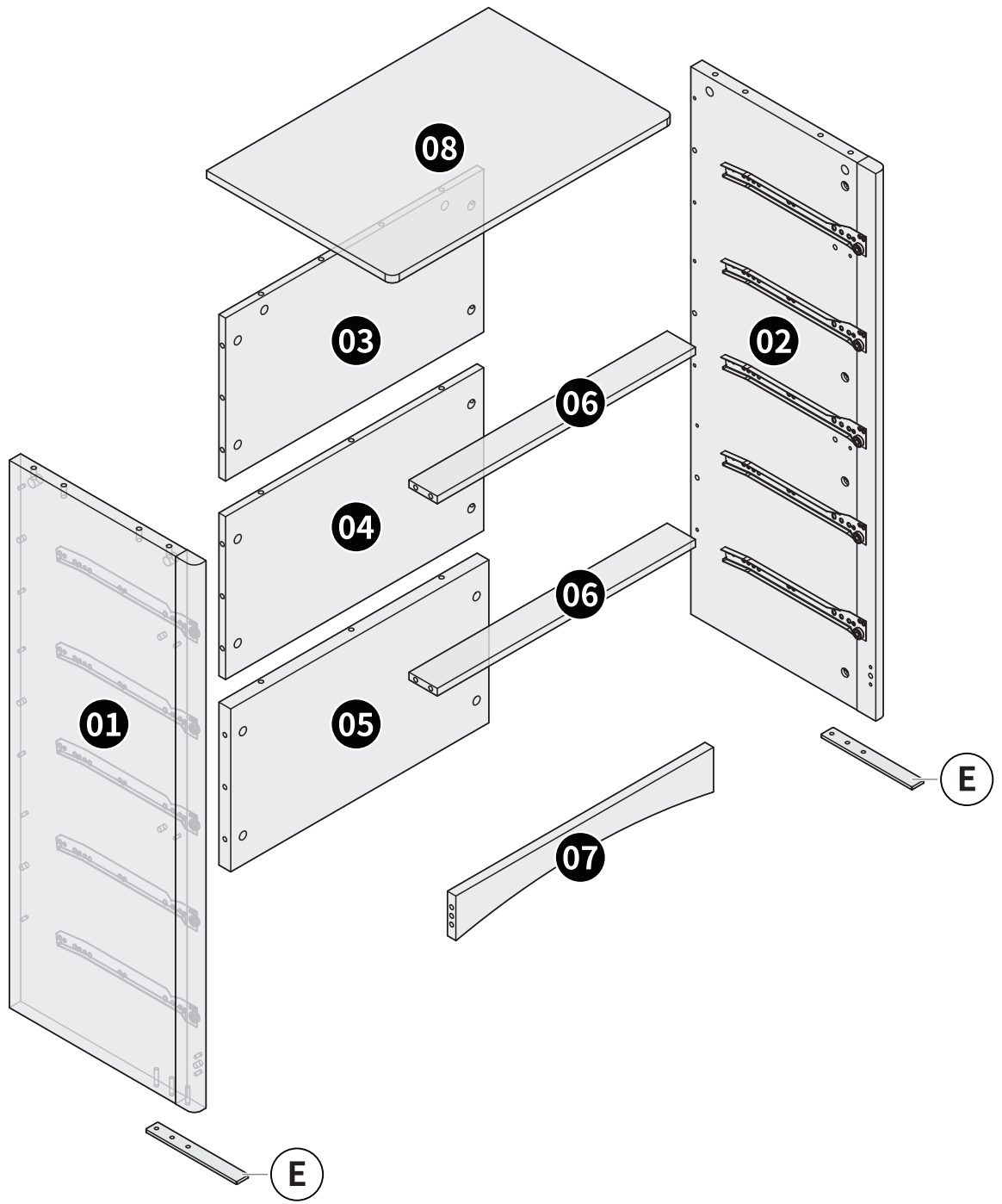
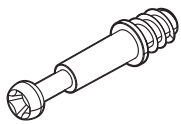
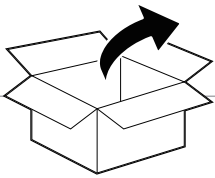
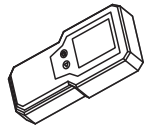
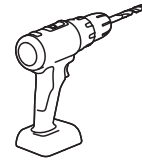
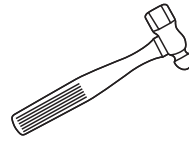
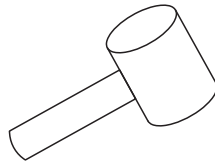
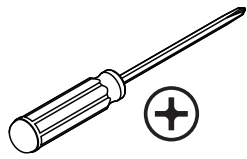
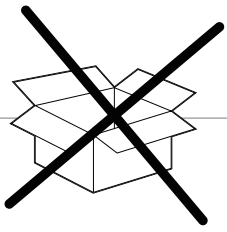


Installation & Assembly

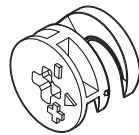






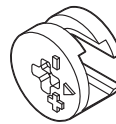
Ø6 x 35mm

(A) x 51



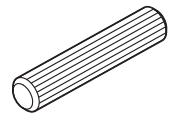
Ø15 x 11mm

(B1) x 26



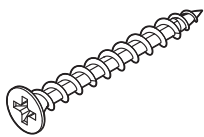
Ø15 x 9mm

(B2) x 25



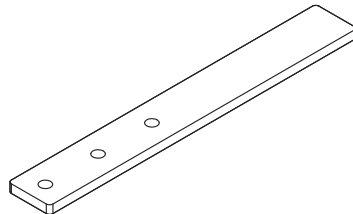
Ø8 x 30mm

(C) x 24

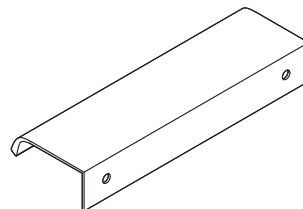


Ø4 x 38mm

(D) x 36



(E) x 2



(F) x 5

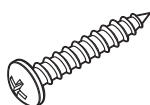


Ø3.5 x 12mm

(G) x 10



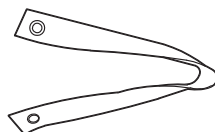
ST4 x 12mm
x 2



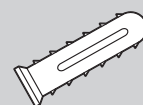
ST4 x 25mm
x 2



x 4



x 2



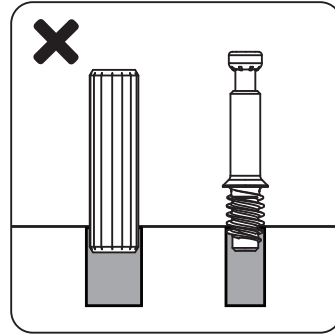
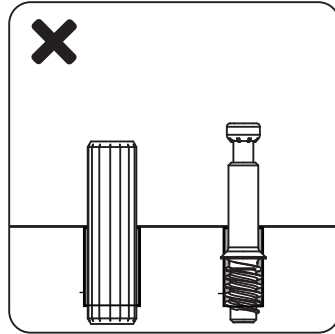
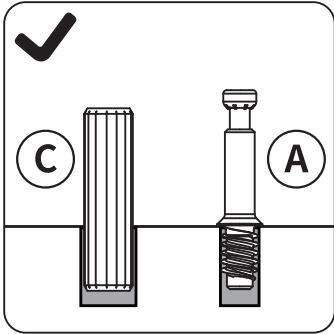
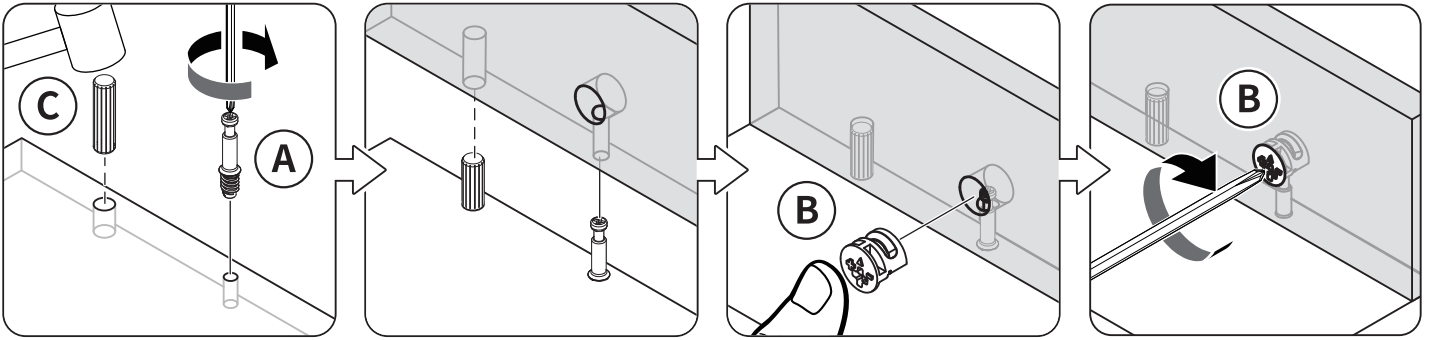
Ø8 x 30mm
x 2



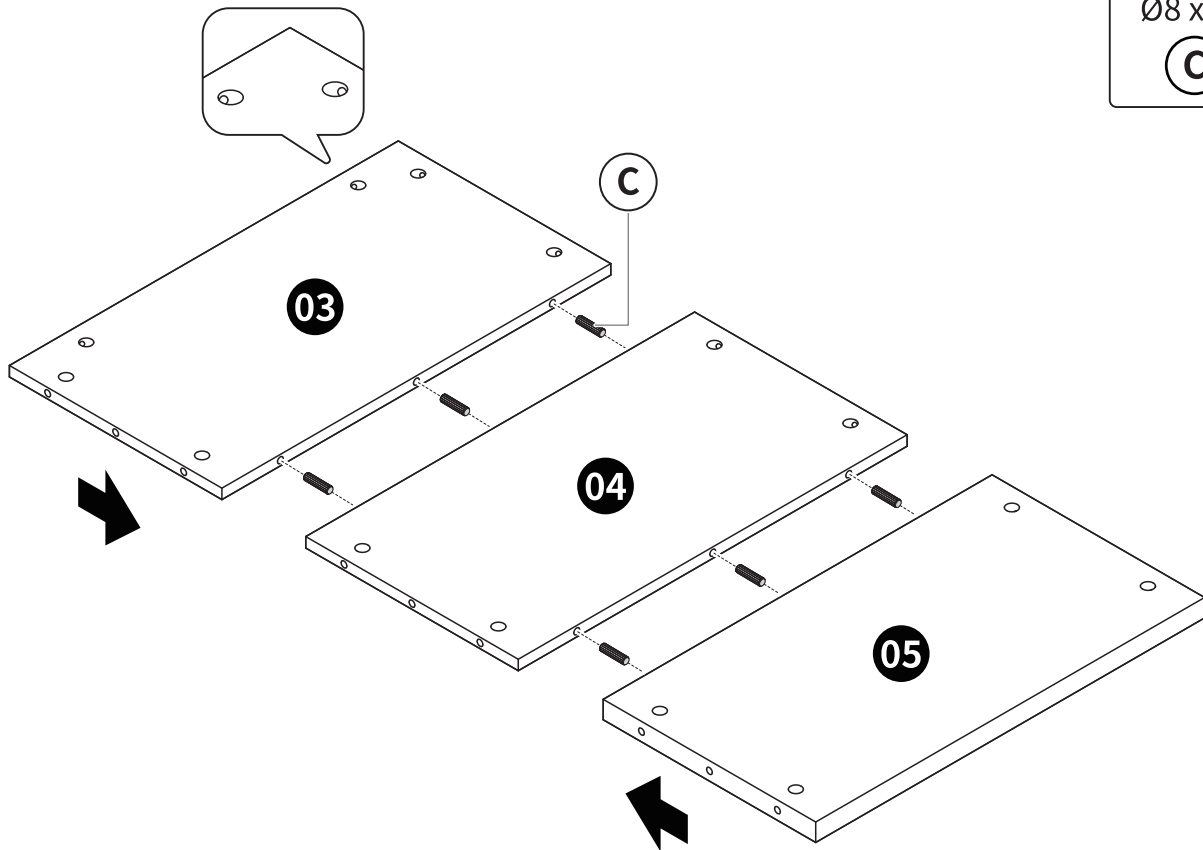
CAUTION!

This wall anchor is for concrete ONLY. DO NOT use them in drywall or wood studs.

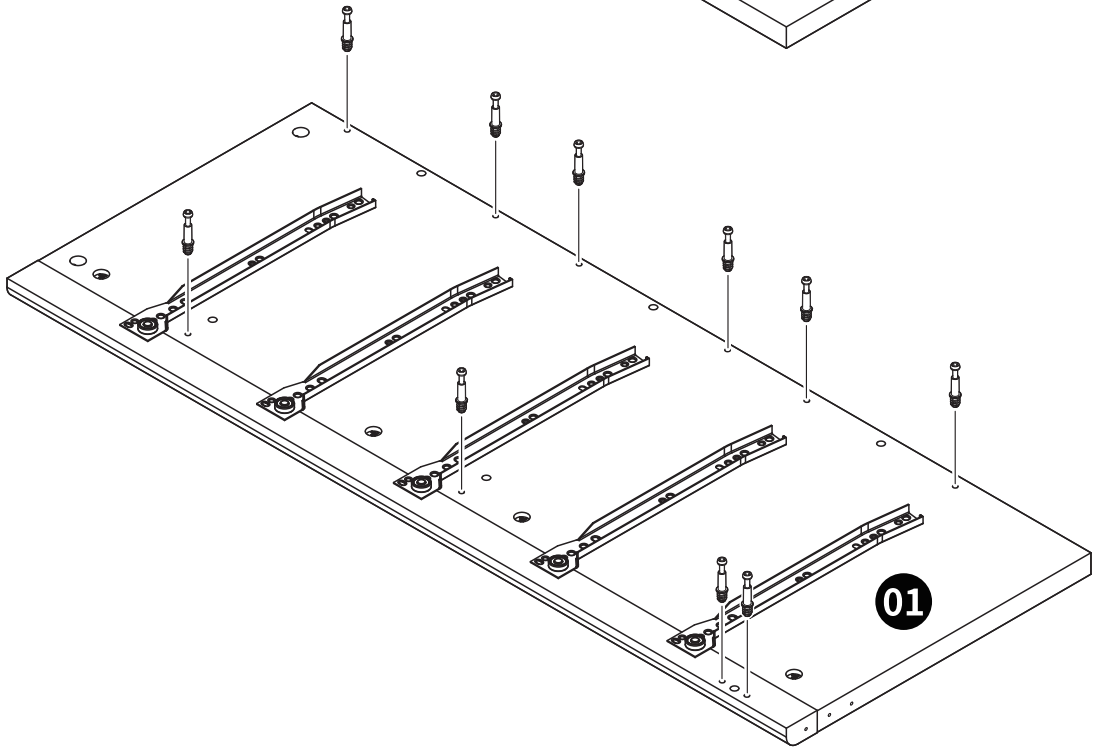
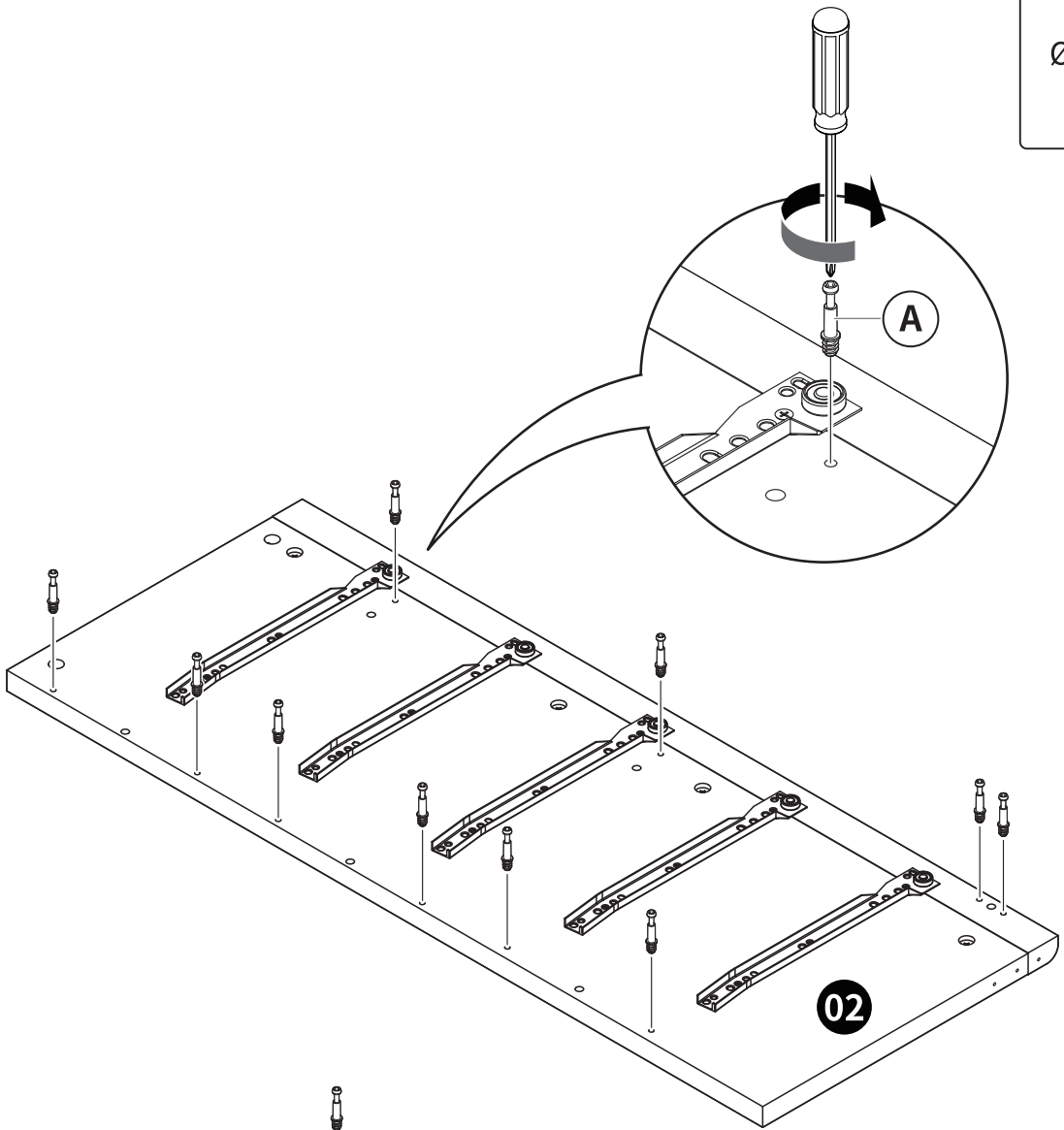
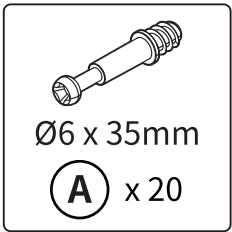
Installation Guide



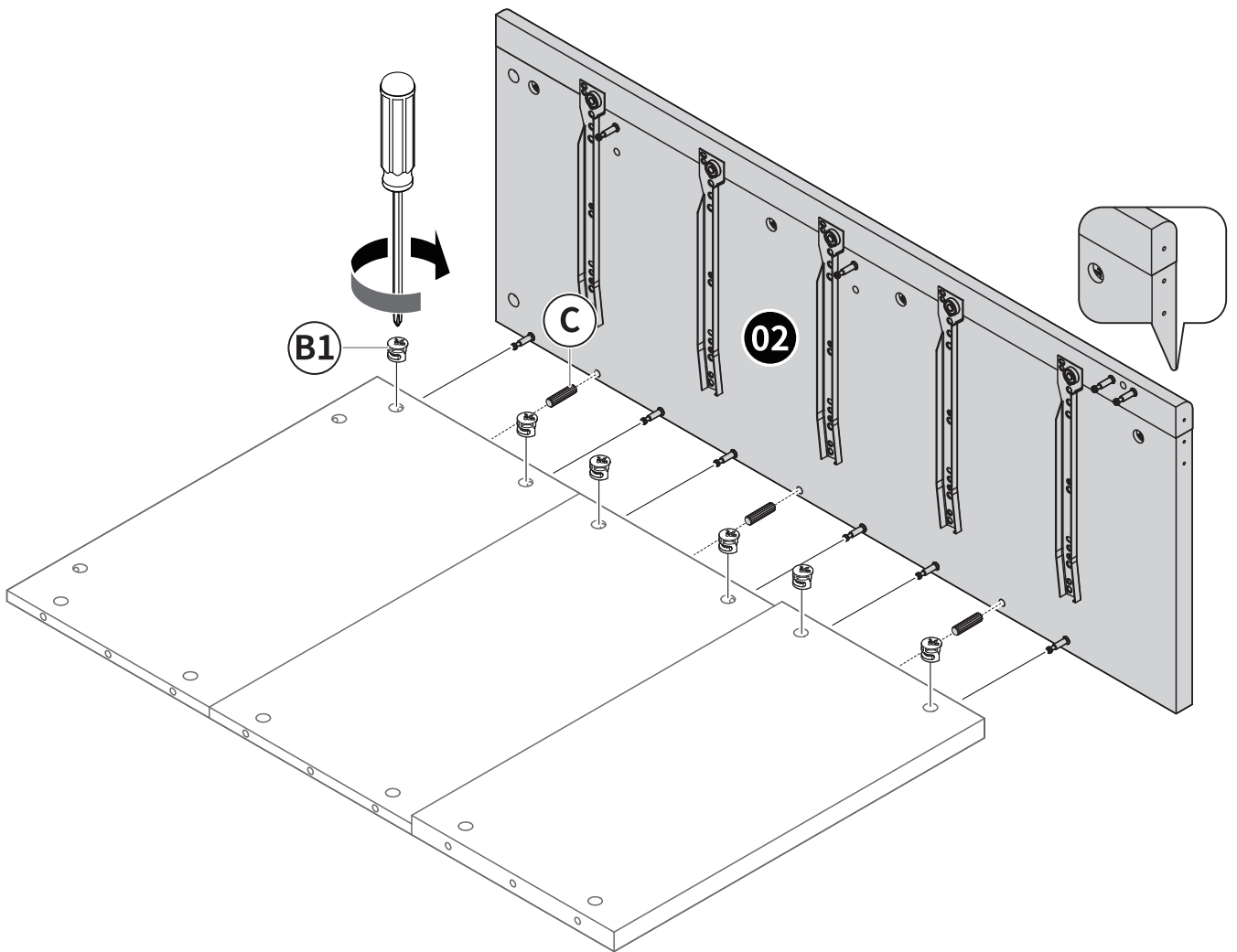
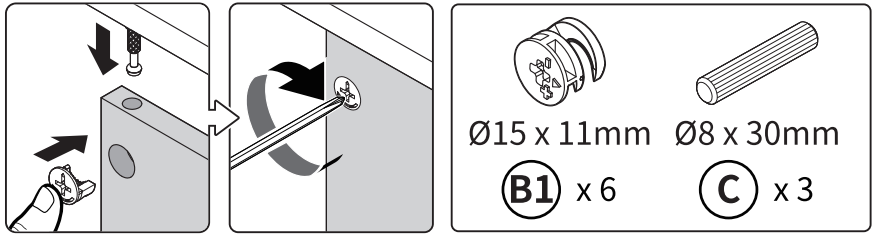
1



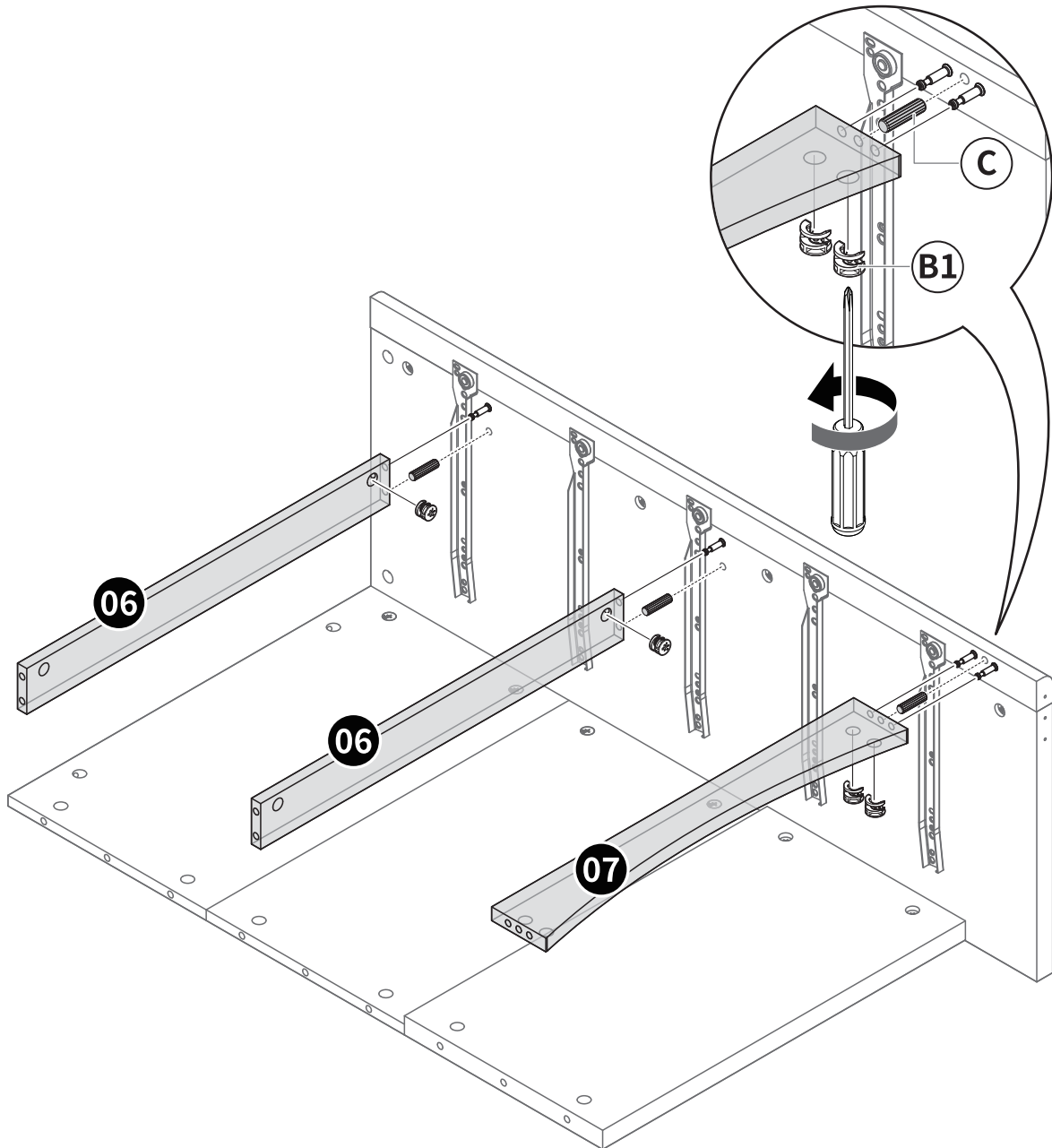
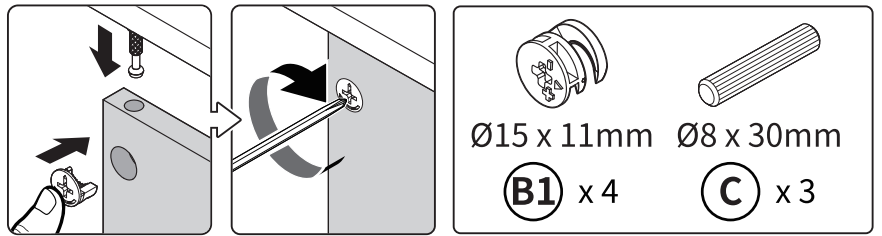
2



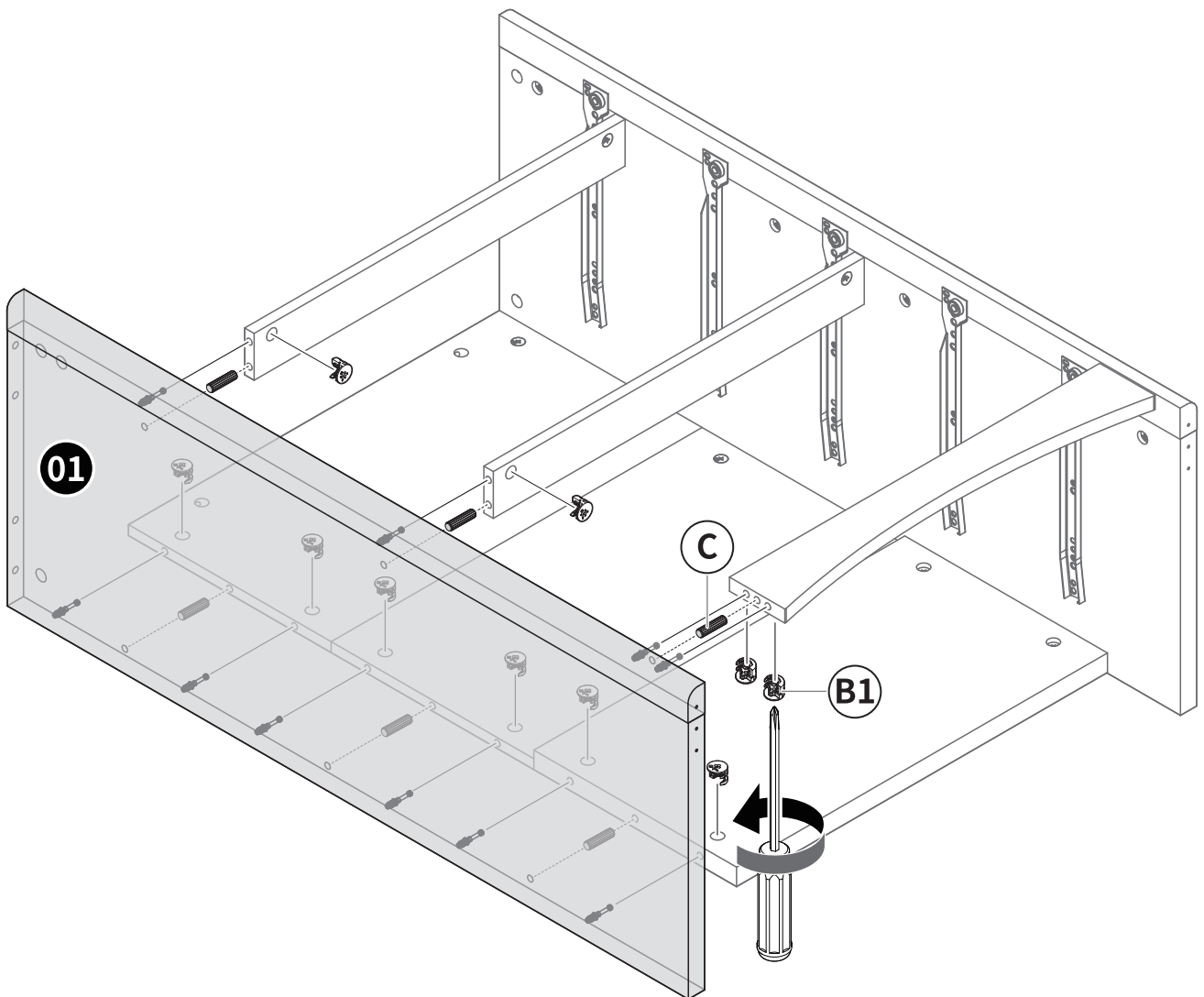
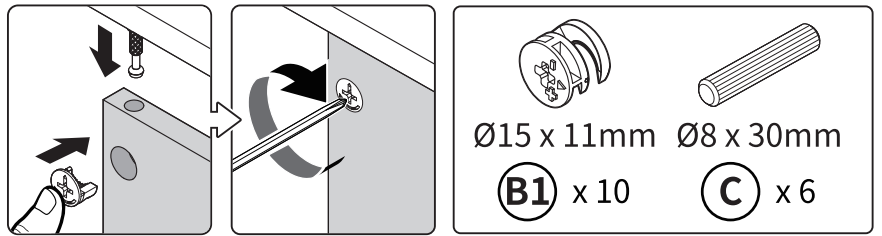
3

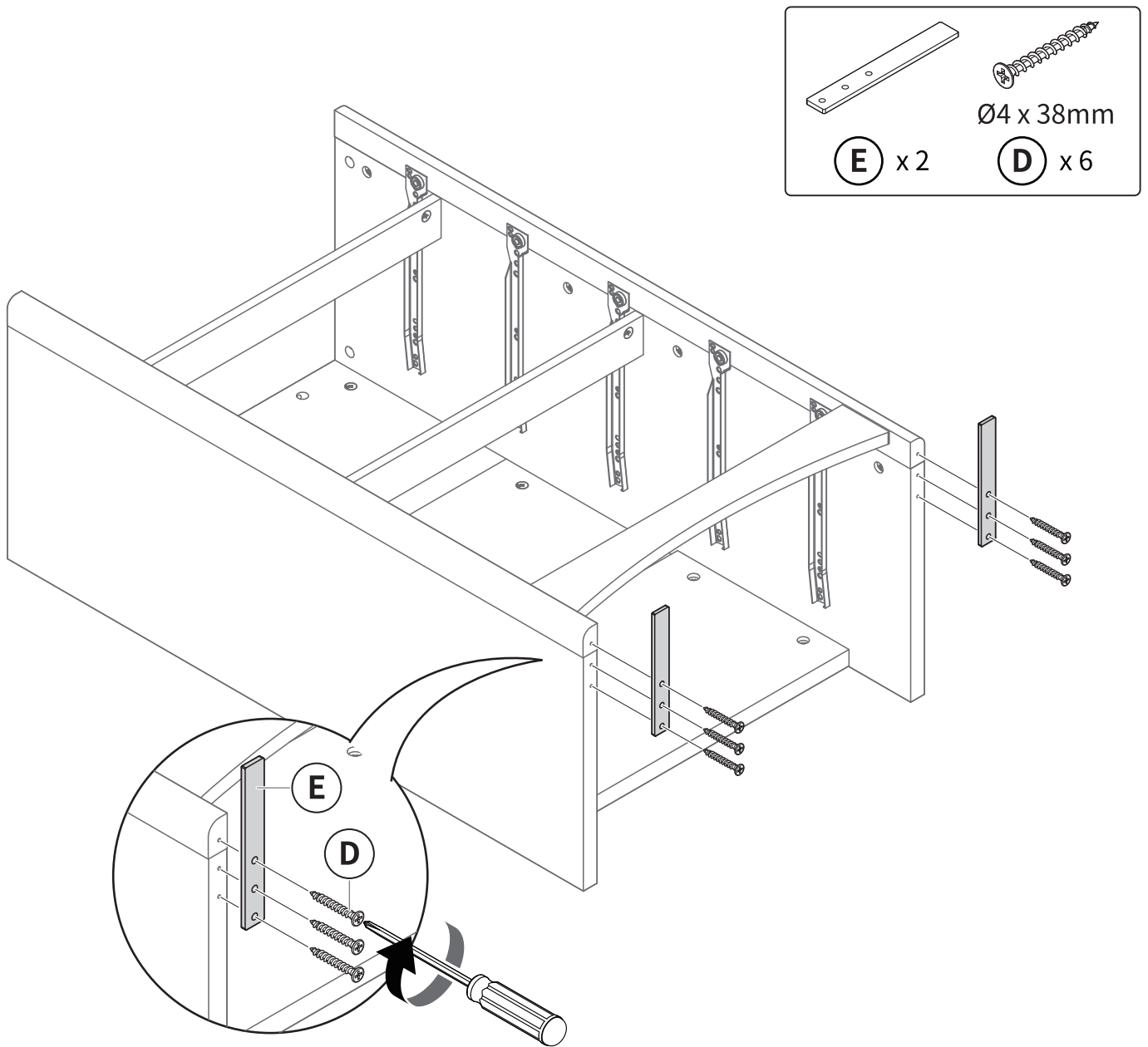


4

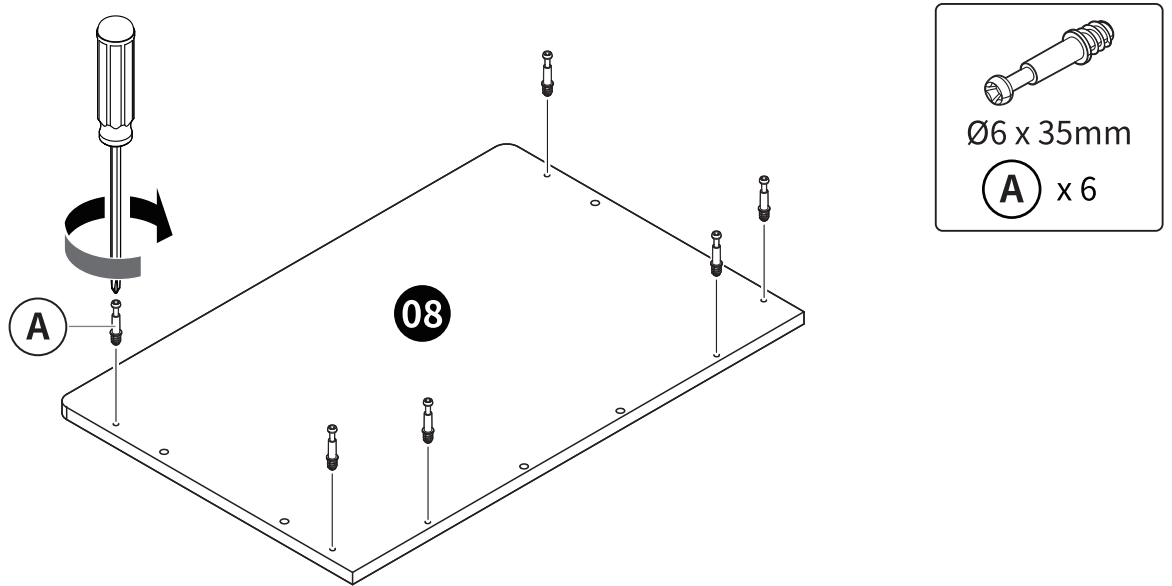


5

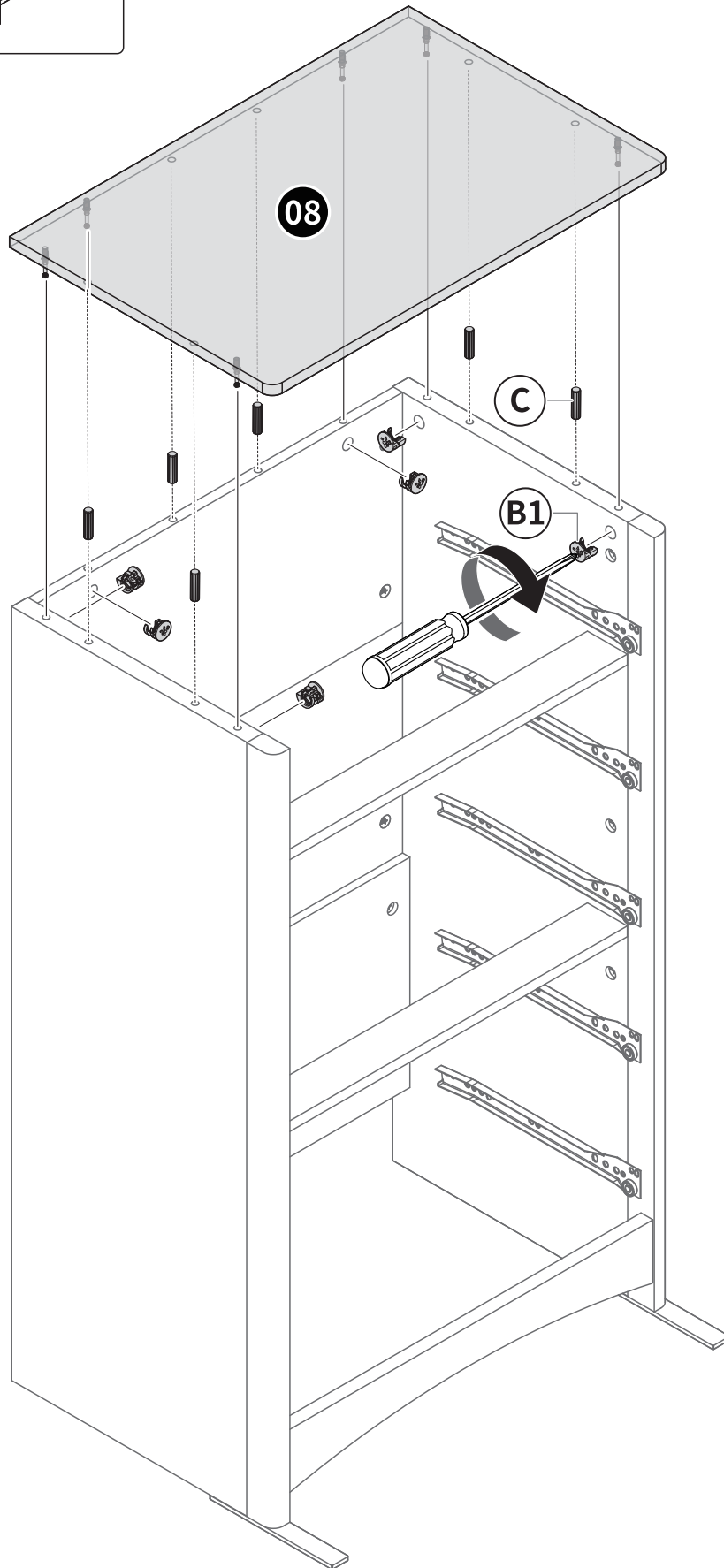
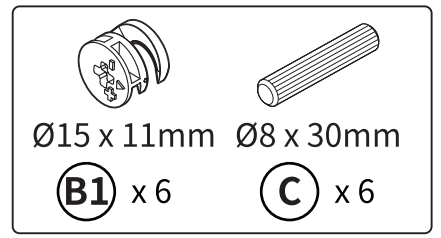
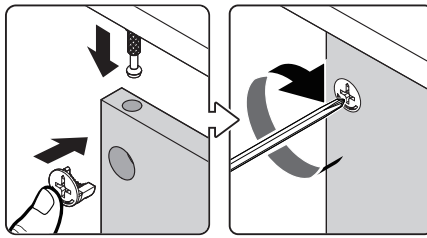
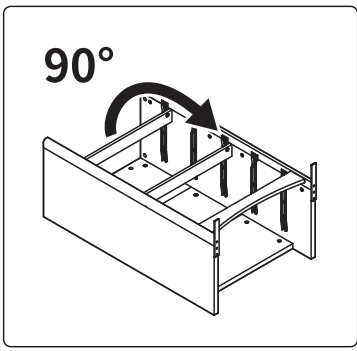




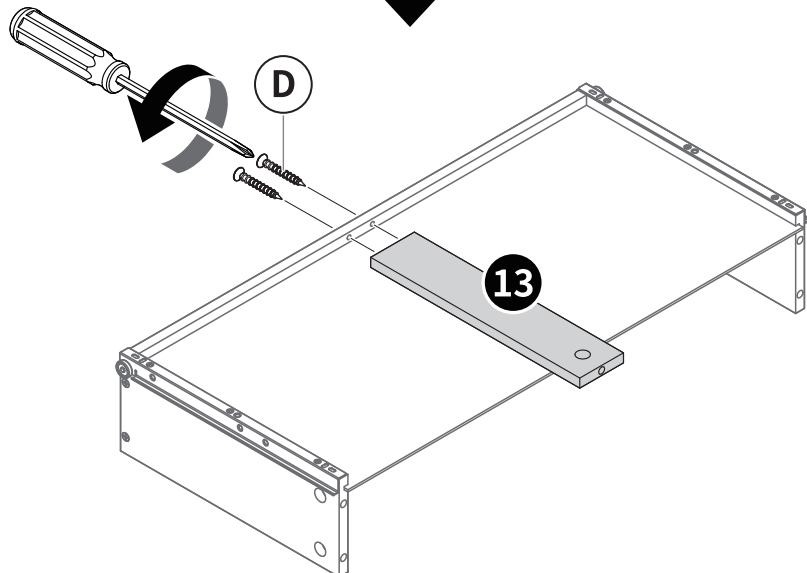
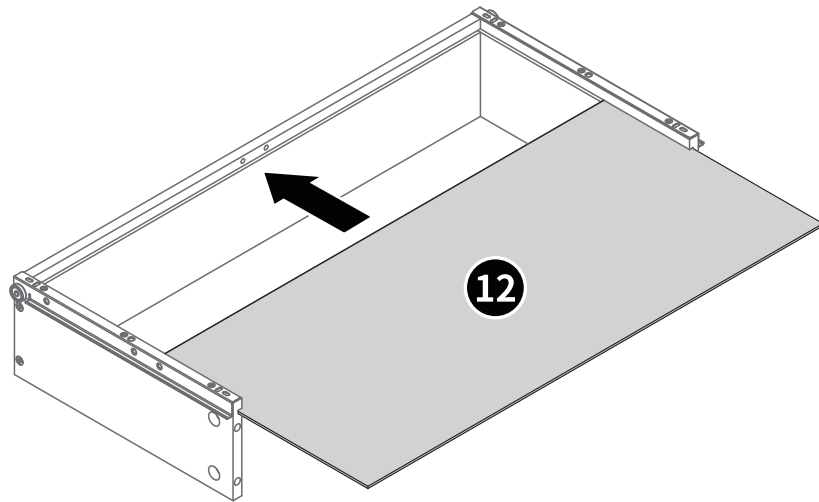
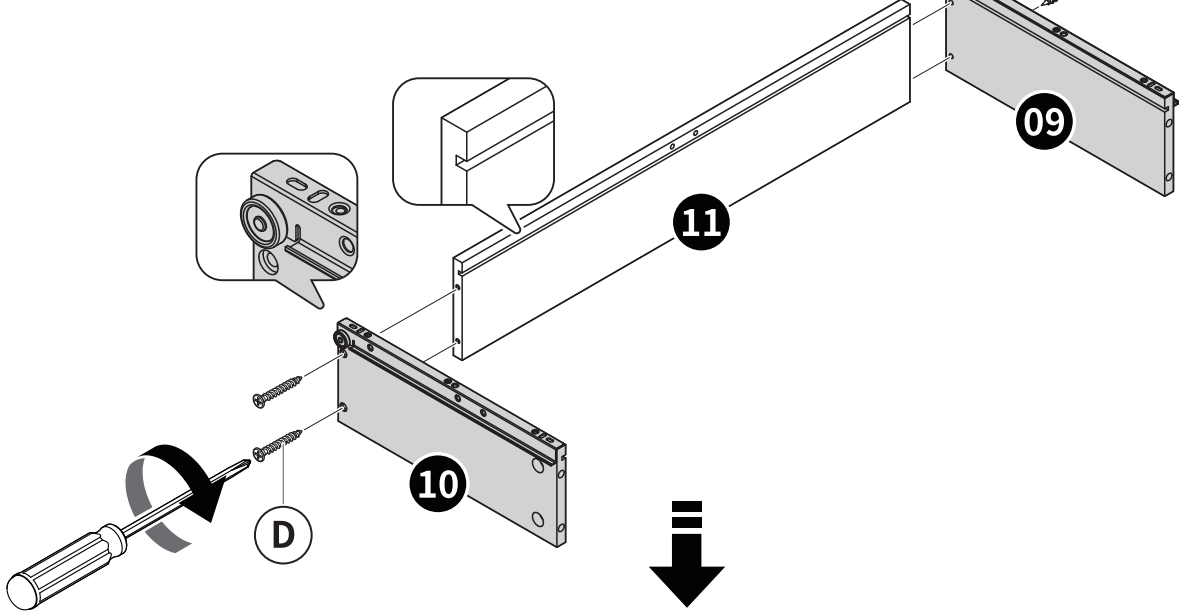
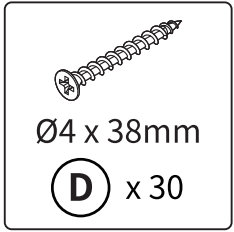
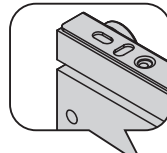
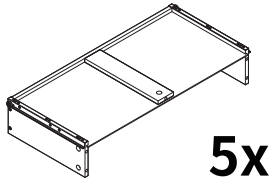
6



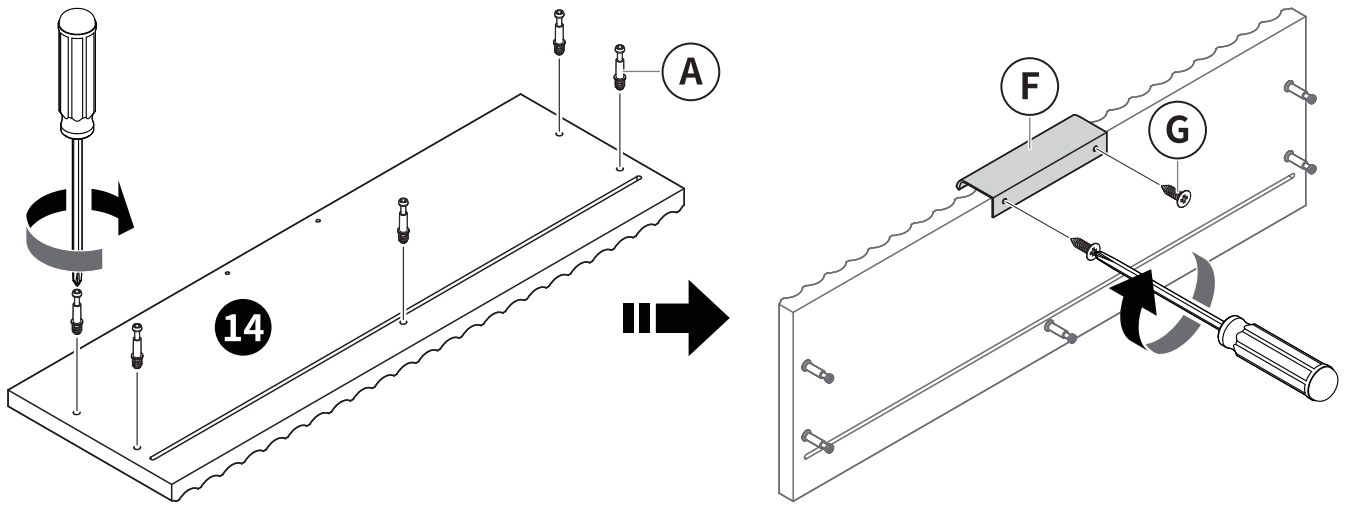
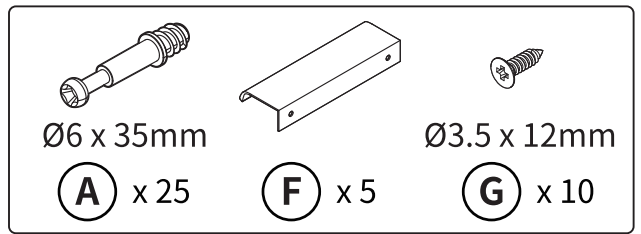
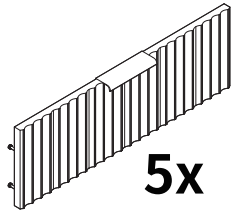
7



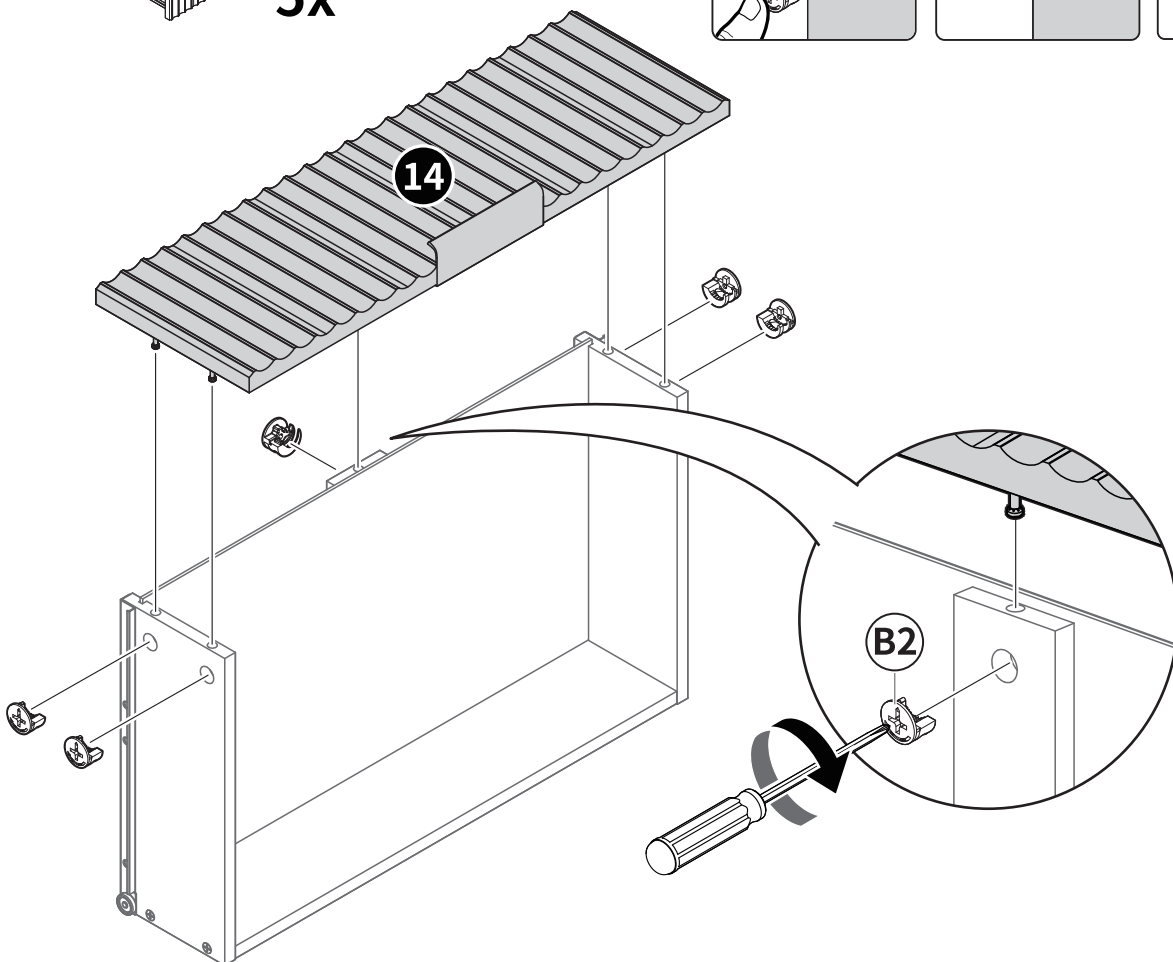
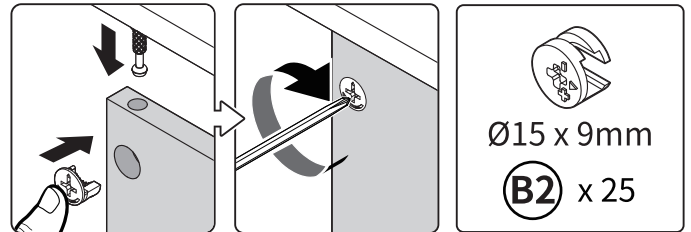
8

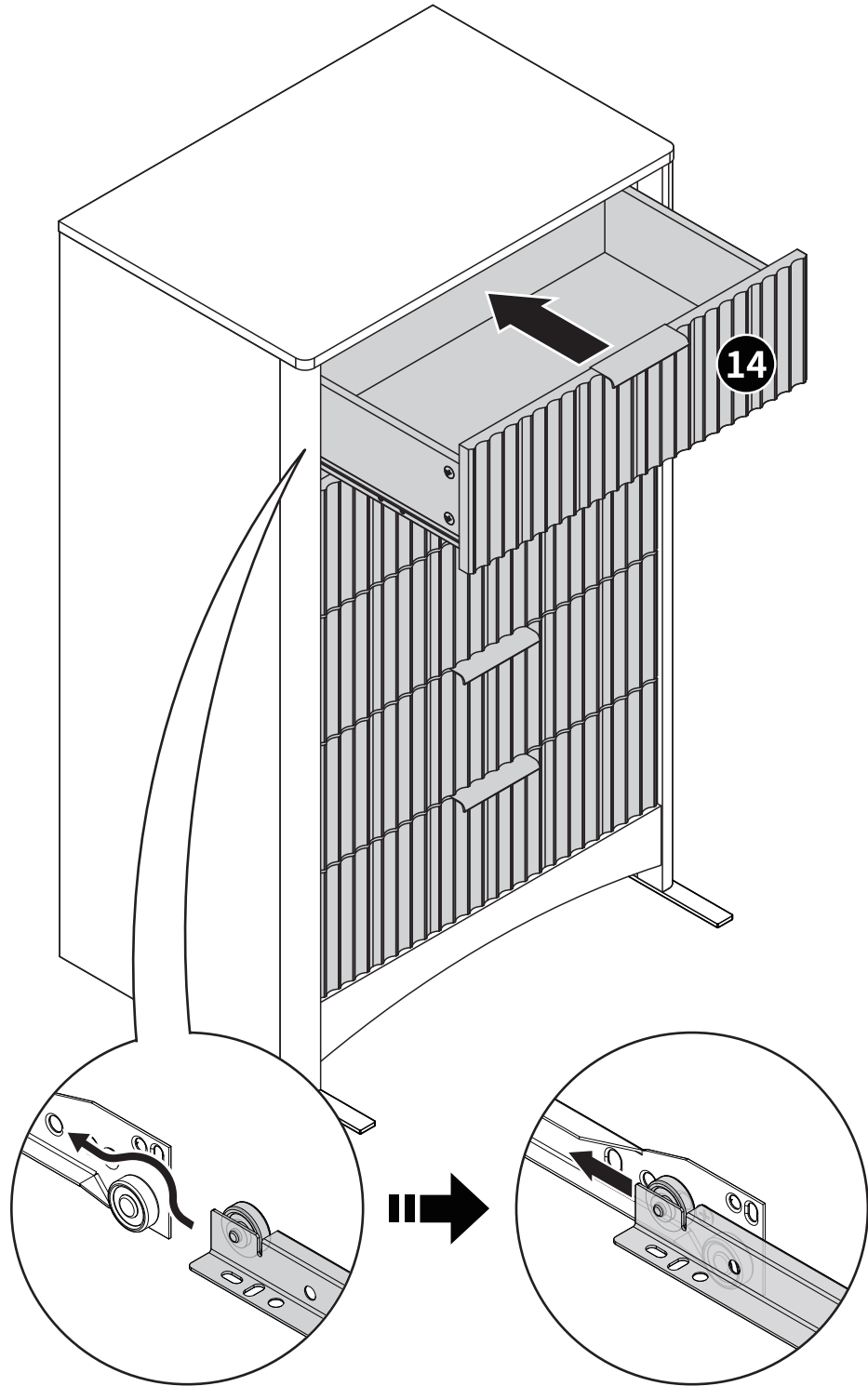


9

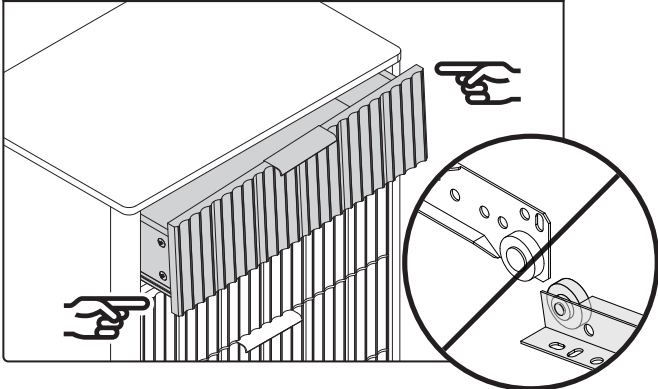


10

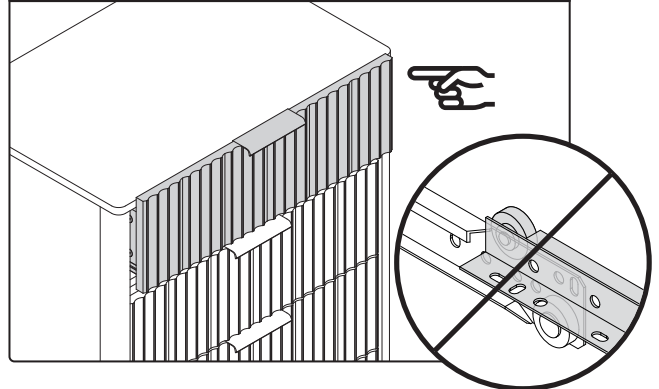


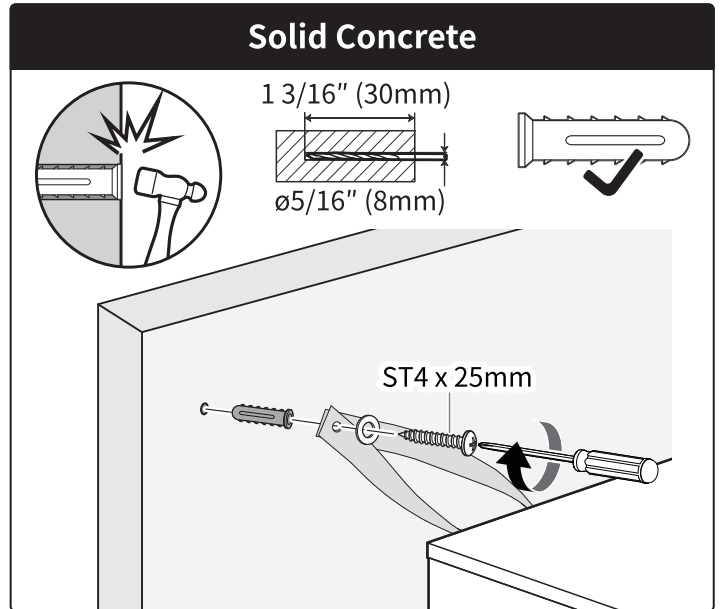
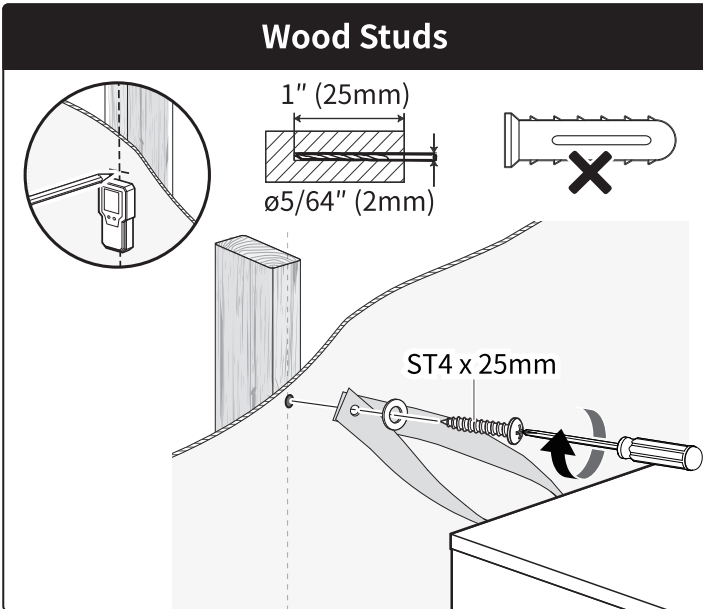
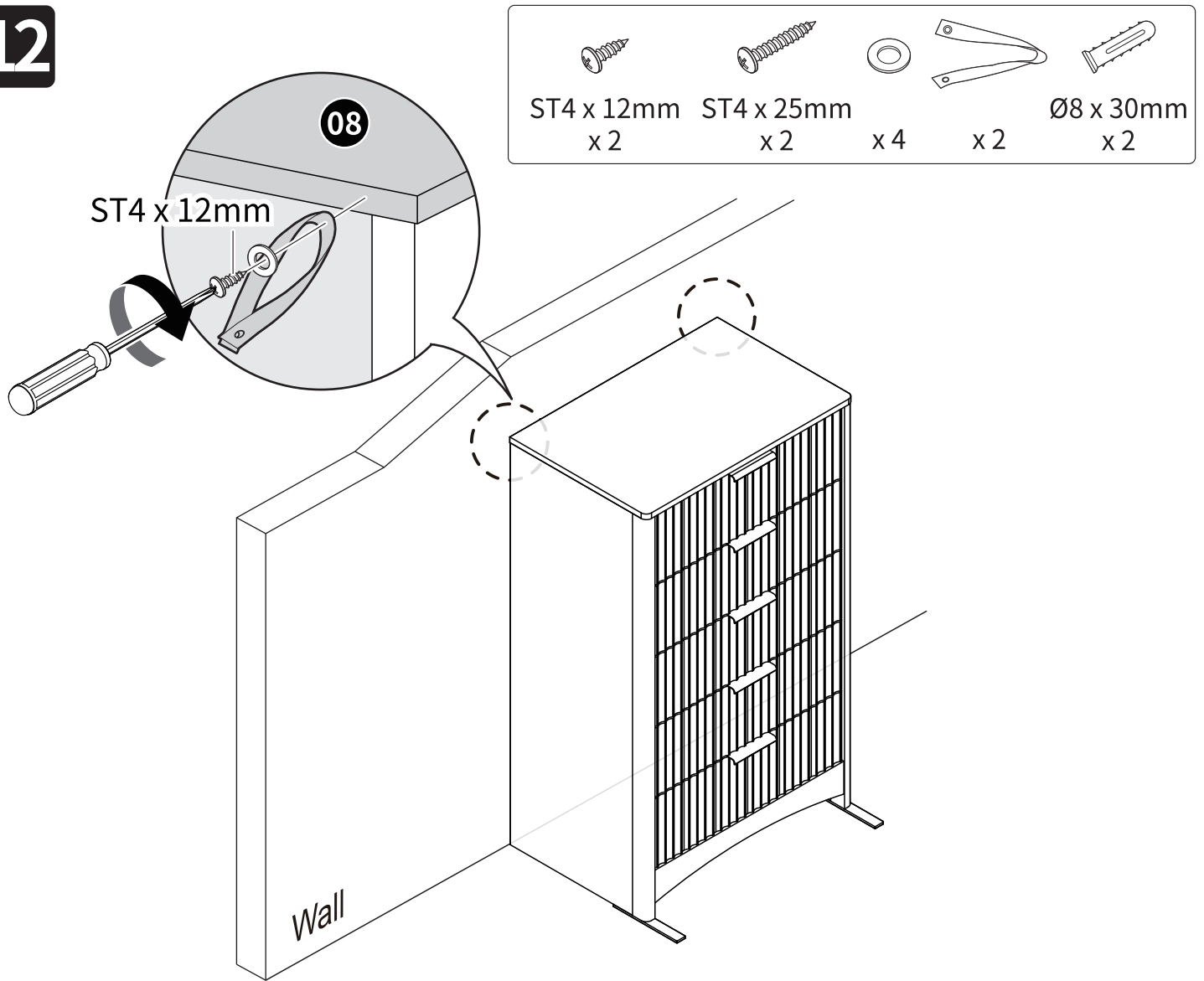


Drawer Silde Under Dresser Slide



Drawer Slide Not Aligned





Installation Instructions:

1. Secure the straps to the top of the dresser using short screws and washers.
2. Determine where the dresser is to be placed. If you have a wood stud wall, locate a stud using a stud finder and mark the centerline.
3. Drill pilot holes in the wall at the appropriate height.
4. Secure the straps to the wall using long screws and washers. Use wall anchors for solid concrete. Do not use them on wood studs.