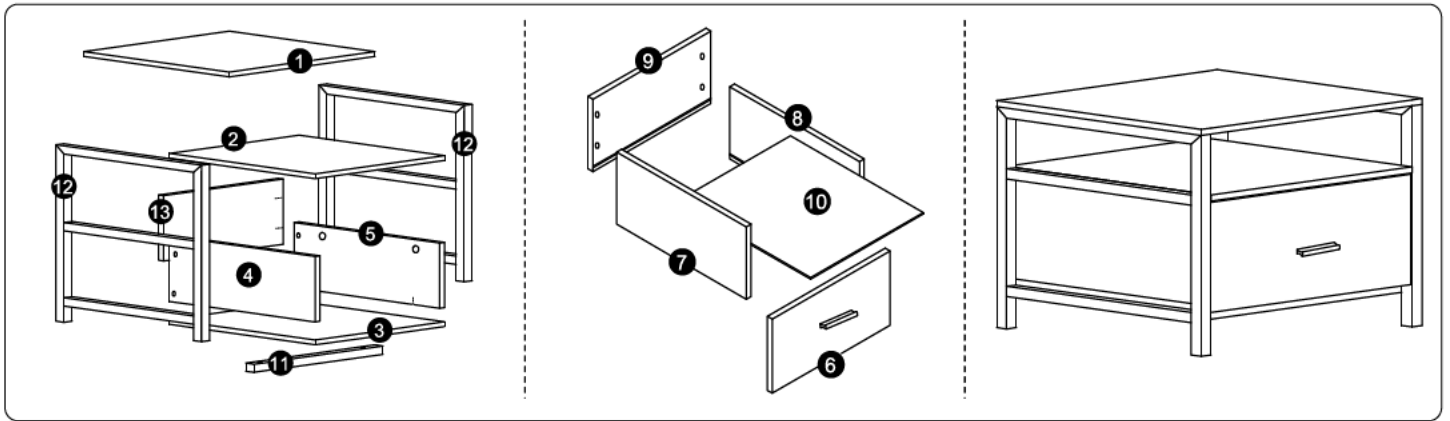


Instruction Manual

Tips!

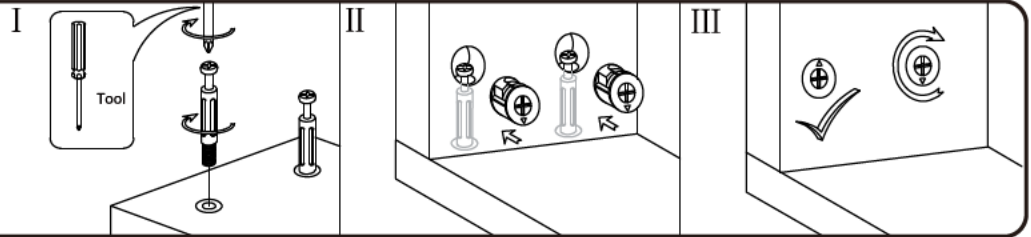
Check all the components & screws before assembly.
 Do not install in case part is missing, contact us to get.
 Send email with your question
 We will resend within 24 hours.



Components					
1		1	8		1
2		1	9		1
3		1	10		1
4		1	11		1
5		1	12		2
6		1	13		1
7		1			

Screws&Tools			
A			8
B		M5*40mm	14
D		M5*60mm	4
G		M6*30mm	5
H		M6*35mm	2
S		M4*15mm	2
Z			

"A" Hardware installation example



Step A: Drawer Assembly (1 2 3)

1

A
4PCS

2

3

B
M5*40mm
4PCS

4

S
M4*15mm
2PCS

5

H
M6*35mm
2PCS

6

B
M5*40mm
4PCS

7

G
M6*30mm
1PCS

Note:
The screw holes in part ③ should be downward.

8

B
M5*40mm
PCS

D
M5*60mm
4PCS

9

A
4PCS

10

A
4PCS

11

B
M5*40mm
2PCS

G
M6*30mm
4PCS

12

To prevent drawer slide off, the hinge should be opened as the picture shows.

Hinge

13