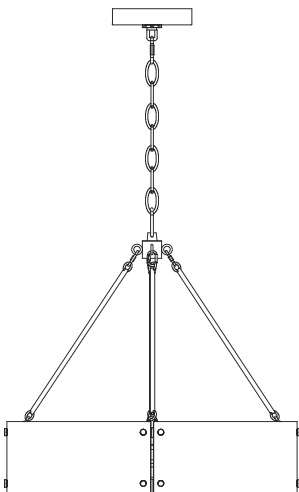




## Chandeliers

SKU: HCDL12A  
[Instruction Manual]



Please pay attention to the warning signs  
Read the instructions with caution before operating  
and keep it properly

## Warning:

Risk of fire. Min 167°F/75°C supply conductors. Consult a qualified electrician to ensure correct installation. Before installation, please turn off the main power of the circuit breaker to prevent possible electric shock.

## Installation Instructions

FIG.1. Turn the wall switch to the "OFF" position. Depending on which type of fuse box in your home:

FIG.2. Either turn the main (Master) switch to the "OFF" position to cut off the power supply of the entire home, or turn off the individual switch that supplies power to where the fixture will be installed.

OR

FIG.3. Either turn the main (Master) switch to the "OFF" position to cut off the power supply of the entire home, or unscrew the fuse that supplies power to where the fixture will be installed.

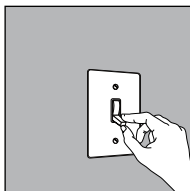


FIG.1 WALL SWITCH

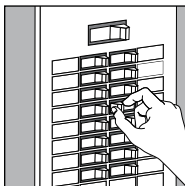


FIG.2 BREAKER PANEL

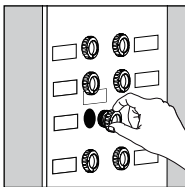
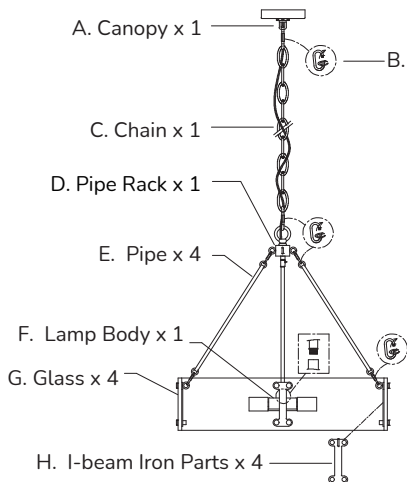


FIG.3 FUSE BOX







## PACKING LIST



1. Pass the power cord of Lamp Body (F) through Pipe Rack (D), Chain (C), Quick Link (B), and Canopy (A).

2. Tighten Pipe Rack (D) and Lamp Body (F) together, then connect Pipe (E) and I-beam Iron Parts (H) one by one using Quick Link (B), and fix Glass (G) with I-beam Iron Parts (H).

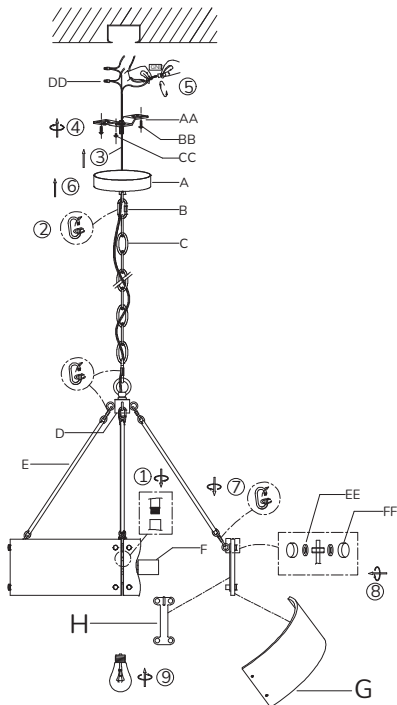
## INSTALLATION KIT

AA	x1	BB	x2	CC	x1	DD	x3
							
Mounting Bracket		Outlet Box Screw		Ground Screw		Wire Nut	
EE	x32	FF	x16				
							
Silicon Washer		Decorative Panel Base					

1. Silicon Washer (EE) have been pre-installed on Decorative Panel Base (FF).

2. Ground Screw (CC) have been pre-installed on Mounting Bracket (AA).

## INSTALLATION



### Step 1:

Tighten the connection between the Pipe Rack (D) frame and the Lamp Body (F).

### Step 2:

Loosen the Quick Link (B) fastener and remove the Canopy Loop.

### Step 3:

Pass the wire through the Chain (C) and extend it to the hanging board until it reaches the ceiling.

### Step 4:

Take off the screws from the outlet box, and secure the Mounting

Bracket (AA) onto the box with the screws taken off or Outlet Box Screw (BB).

**Step 5:**

1. Wrap the ground wire from the outlet box around the Ground Screw (CC) on the Mounting Bracket (AA), and then connect the ground wire from the fixture to the ground wire from the outlet box.
2. Connect the wires from the fixture to the house supply wires, neutral wire (white) to neutral wire, and hot wire (black) to hot wire.
3. Spread apart the wires so that the hot wires are on one side of the outlet box and the neutral wires are on the other side.

**Step 6:**

Tie Canopy (A) tightly to the ceiling, tighten the hanger, and lock Quick Link (B).

**Step 7:**

Connect the Pipe (E) to I-beam Iron Parts (H) using Quick Link (B).

**Step 8:**

Use Decorative Panel Base (FF) to secure Glass (G) onto the I-beam iron sheet (H) and attach Silicon Washer (EE) on both the inner and outer sides of the glass (G)

**Step 9:**

E26 Bulbs X 6

(Max 60W each, not included)

## Specifications

- Input Voltage: 120VAC 60Hz
- Max.load Power: Incandescent Bulb 60w
- Socket Type: Standard Medium E26

## One Year Limited Warranty

Supported by our professional R&D team and QC team, we provide One Year Warranty for materials and workmanship from the purchase date. Please note that the warranty does not cover damage caused by personal misuse or improper installation.

Please attach your Order ID and Name so that our dedicated customer service team can help you better.



Made in China