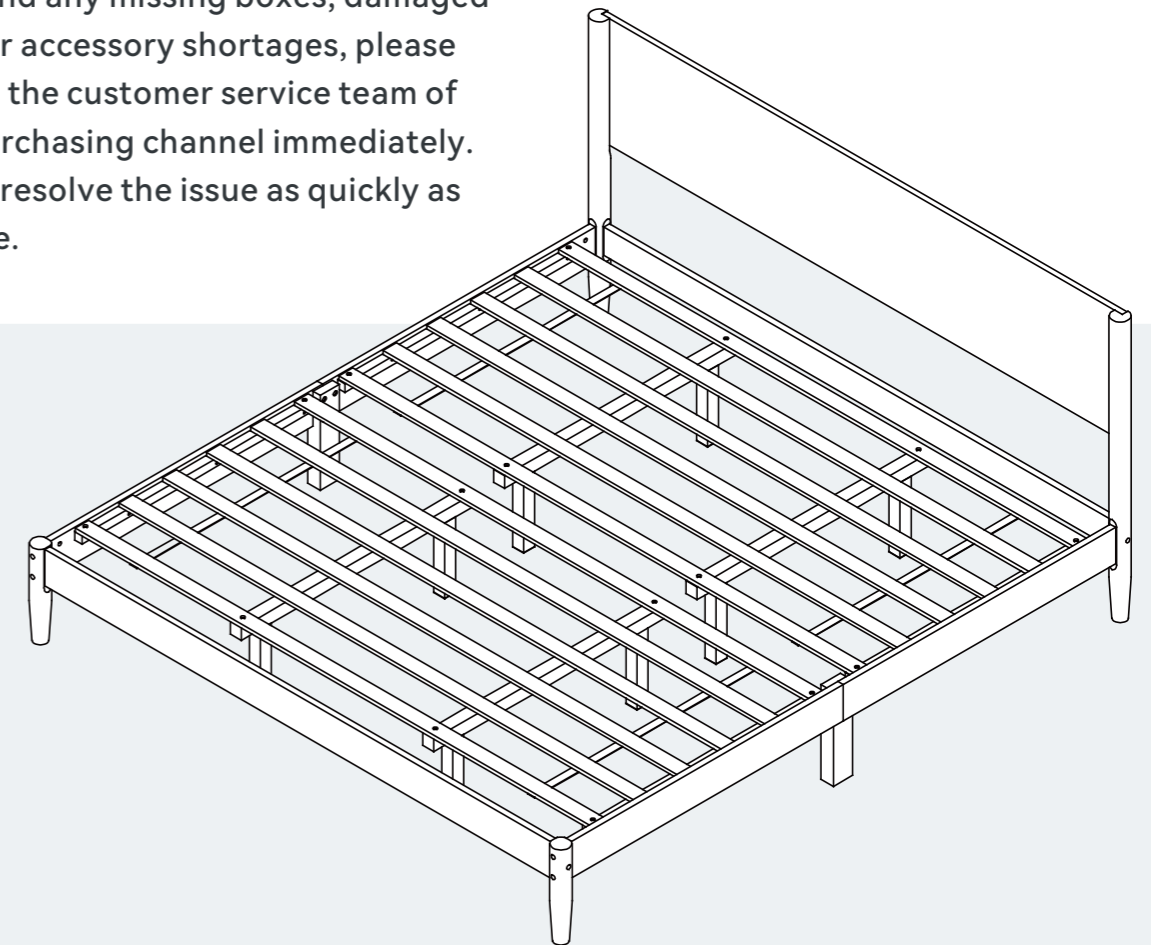


Solid Wood Bed

Assembly Instruction – Please keep properly for future reference.

If you find any missing boxes, damaged parts, or accessory shortages, please contact the customer service team of your purchasing channel immediately. We will resolve the issue as quickly as possible.



CONTACT US

- **Email:** service@grandtunnel.com
In order to receive assistance more quickly, please provide

THE FOLLOWING INFORMATION:

- Order number
- Purchase platform
- Purchase date
- Detailed description of the issue along with photos (if applicable)

Important – Please read these instructions carefully before starting the installation.

Solid Wood Bed

SKU:
BK036X-1K0A0
BK036X-1K0B0
BK036X-1K0C0

V1.0

EN

Before Assembly



Thank you for choosing this product!

To ensure safe use and long-term maintenance, please read this manual carefully and keep it properly for future reference.

Important Notice:

- To ensure a smooth and successful installation, please read this guide carefully. It provides essential information about the required tools, materials, and assembly steps. Follow the instructions in each section to avoid any issues caused by improper installation.
- Please review all operational and safety guidelines to ensure proper and secure assembly.
- This guide reflects the most current product information available at the time of printing. We reserve the right to make changes to product features, packaging, or availability without prior notice.
- Before starting assembly, ensure that all necessary electrical and environmental preparations are completed.
- This manual contains important instructions regarding installation, cleaning, and maintenance. Please read it thoroughly and keep it for future reference.

Safety Warnings



1. Follow Warning Labels

Do not remove, alter, or obscure any warning labels on the product or packaging. Always adhere to the displayed safety instructions to ensure proper usage.

2. Conduct Regular Inspections

Periodically inspect all components to ensure they are properly installed, undamaged, and securely fastened. Report any issues to customer support immediately.

3. Practice Safe Usage

Avoid playing, jumping, or engaging in activities on or under the bed, as this may cause injury or structural damage.

4. Beware of Rope Hazards

Do not attach ropes, hooks, straps, or any non-designated accessories to any part of the bed, as this may pose a safety hazard.

5. Keep This Manual for Reference

Store this manual in a safe and accessible place for future reference.

6. Safety is a Shared Responsibility

Ensuring safety is a joint responsibility between the manufacturer and the user. Please follow all safety precautions during assembly and use.

Disclaimer

We are committed to delivering safe, high-quality, and reliable products to our customers. If you have any questions, concerns, or require further assistance, please contact our customer service team without hesitation.

Maintenance and Care Recommendations



1. Regular Cleaning

To maintain hygiene and prevent bacterial growth, clean the product regularly. Use a damp, well-wrung cloth to avoid excess moisture and prevent surface scratches.

2. Prevent Corrosion

Keep the product away from acidic or alkaline substances, as they may cause corrosion or damage to the materials.

3. Use Only Authorized Replacement Parts

Do not use unauthorized or third-party replacement parts, as they may compromise the product's safety and durability. If a replacement is needed, contact the manufacturer or an authorized dealer for approved parts.

4. Cleaning Precautions

Do not machine wash or rinse any part of the product directly with water, as this may damage the materials and reduce product lifespan.

5. Prevent Pests

Keep wooden furniture away from damp or humid areas to prevent pest infestations and wood damage. Use a dehumidifier or air conditioner during humid seasons to maintain a dry environment.

6. Protect from Sunlight

Avoid placing furniture in direct sunlight, as prolonged exposure may cause cracking, discoloration, or fading. If sunlight exposure is unavoidable, use curtains or shades to minimize damage.

7. Keep Away from Fire

Position furniture away from heat sources and open flames to prevent damage and maintain its condition.

8. Perform Regular Care

Apply furniture oil periodically to maintain the wood's shine, prevent cracks, and extend its lifespan.

9. Clean Frequently

Regularly vacuum dust and debris, especially underneath furniture, to keep it clean and hygienic.

10. Maintain a Dry Environment

Ensure good ventilation to prevent moisture buildup, which can damage wood. Use a dehumidifier if necessary to protect the furniture.

11. Avoid Corrosive Liquids

Keep furniture away from acidic or alkaline substances, as these can damage the surface and reduce durability.

12. Use a Damp Cloth for Cleaning

Wipe furniture with a well-wrung damp cloth to prevent water damage or swelling. Avoid excessive moisture exposure.

13. Limit Sun Exposure

Excessive sunlight can dry out and weaken wood. Position furniture in shaded areas or use UV-blocking curtains to protect it from damage.

Customer Service Guide



Thank you for choosing our product! We are committed to providing you with excellent service. If you find any missing parts, damaged packaging, or product damage after receiving all packages, please follow the steps below to quickly contact our customer service team. We will do our best to resolve your issue.

1. Missing Parts

Verify Parts:

1. Refer to the "Parts List" in the manual to verify the name, specifications, and quantity of the missing parts.
2. Take a clear photo of the parts list and mark the missing parts with detailed information, e.g., "Missing 5 pieces of M6×30mm screws."

Contact Us:**By Email:**

Send an email to service@grandtunnel.com, with the subject line "Missing Parts Issue." Include the following in the email:

- A description of the missing parts and a photo of the parts list.
- Order details (order number, purchase platform, purchase date).

2. Product or Packaging Damage

If it affects normal use:**Steps:**

1. Take clear photos or videos showing the damaged parts and the extent of the damage (multi-angle shots are recommended).
2. Email the photos/videos along with order details to service@grandtunnel.com, with the subject line "Product Damage Issue."

Resolution:

After verification, we will arrange for a replacement part, product exchange, or refund as quickly as possible.

If it does not affect normal use:**Steps:**

1. Contact our customer service team (by email: service@grandtunnel.com).
2. Provide a description of the damage and include relevant photos or videos.

Resolution:

We will provide repair guidance or an appropriate compensation plan based on the specific situation.

Contact Us:

Customer Service Email: service@grandtunnel.com

Helpful Tips

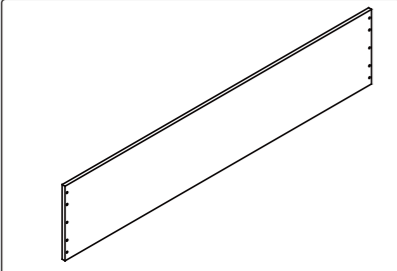
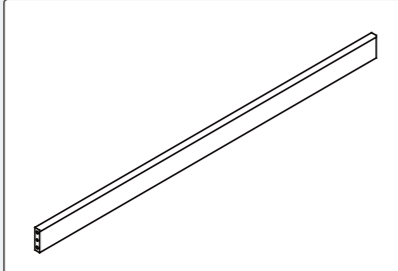
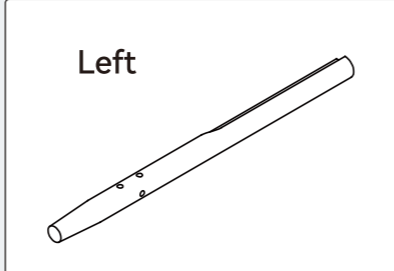
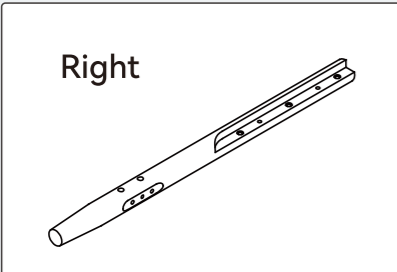
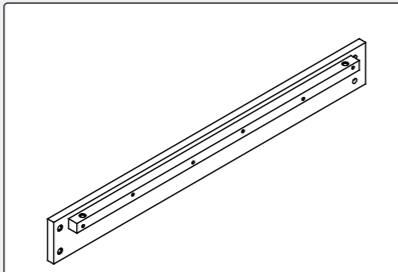
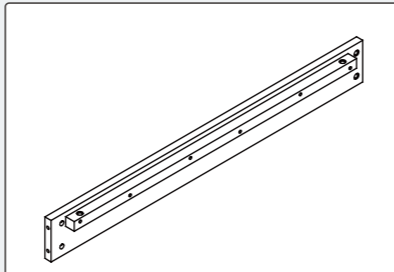
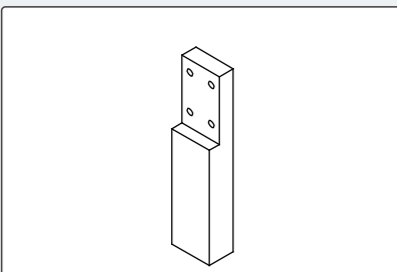
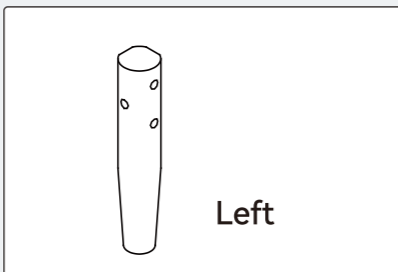
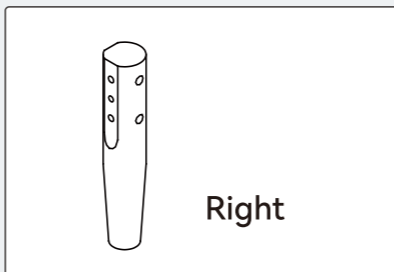
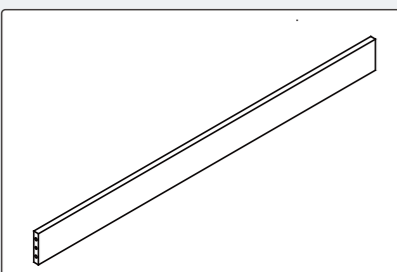
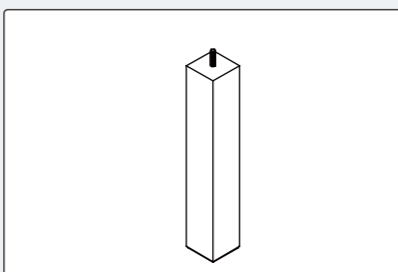
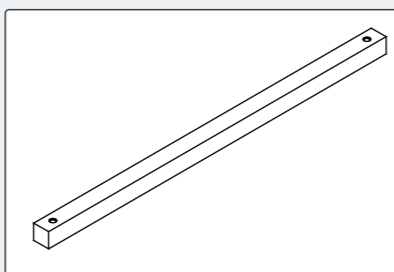
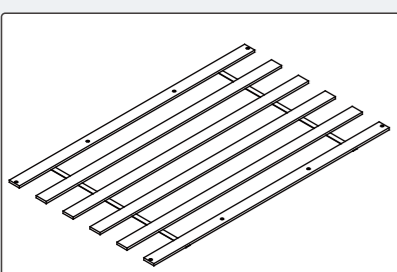
To process your issue efficiently, please prepare the following information:

- Order details (order number, purchase platform, purchase date).
- Clear photos or videos.
- We are committed to providing quick and professional solutions, no matter the size of the issue, to ensure your satisfaction.

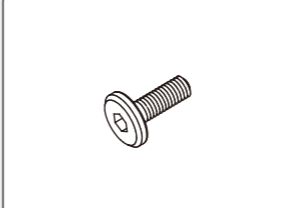
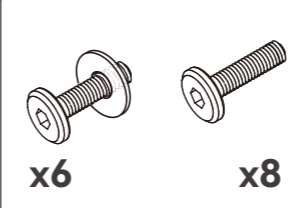
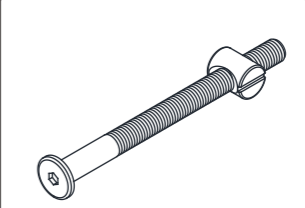
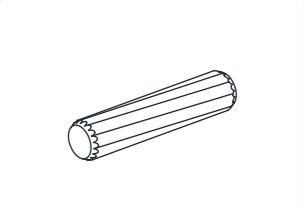
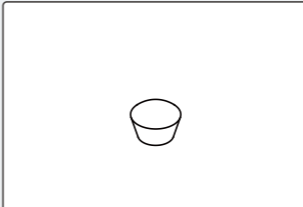
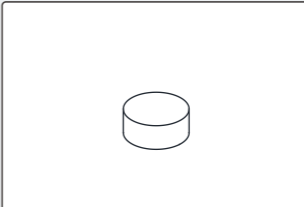
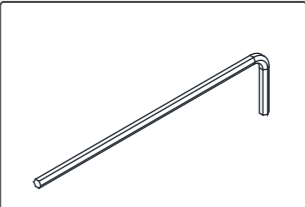
Thank you for your trust and support!
We hope you enjoy using our product!

Parts List

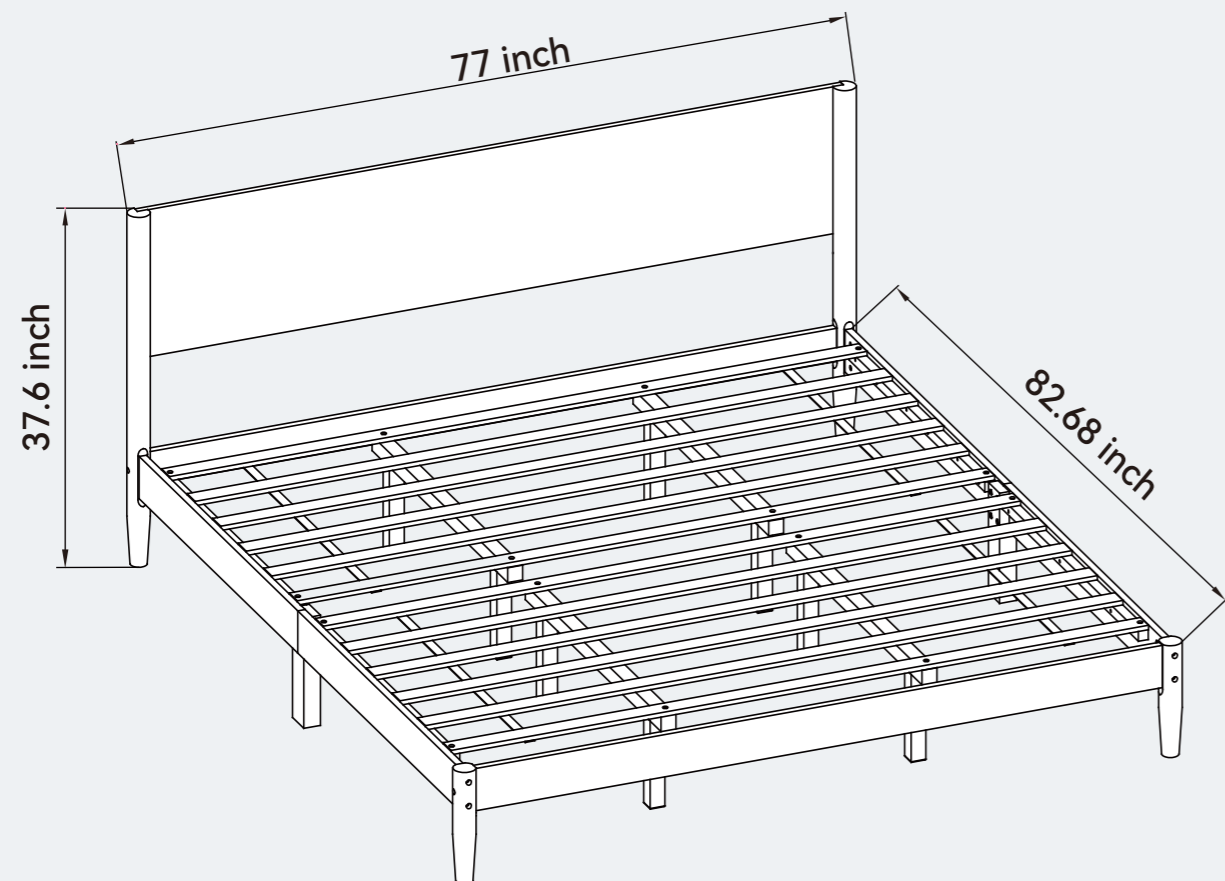


 1 x1	 2 x1	 3 x1
 4 x1	 5 x2	 6 x2
 7 x2	 8 x1	 9 x1
 10 x1	 11 x8	 12 x4
 13 x2set		

Hardware List

 A $\Phi 5/16 \times 25 \text{mm}$ x16	 B $\Phi 5/16 \times 38 \text{mm}$ x14	 C $\Phi 5/16 \times 90 \text{mm}$ x12	 D $\Phi 10 \times 30 \text{mm}$ x12
 E $\Phi 14.5 \times 10 \text{mm}$ x8	 F $\Phi 30 \times 13 \text{mm}$ x4	 G M4x100mm x1	

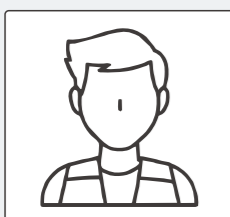
King Size



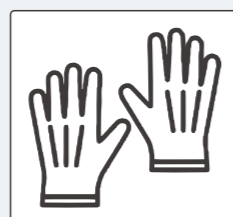
Important:

In each of the previous steps, tighten all screws to approximately 70% to stabilise the overall frame during assembly. Do not fully tighten any screws until the final step is completed.

Tools & Equipment



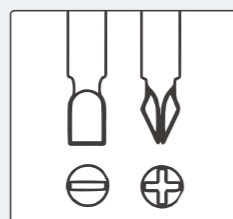
2 people needed



Work gloves

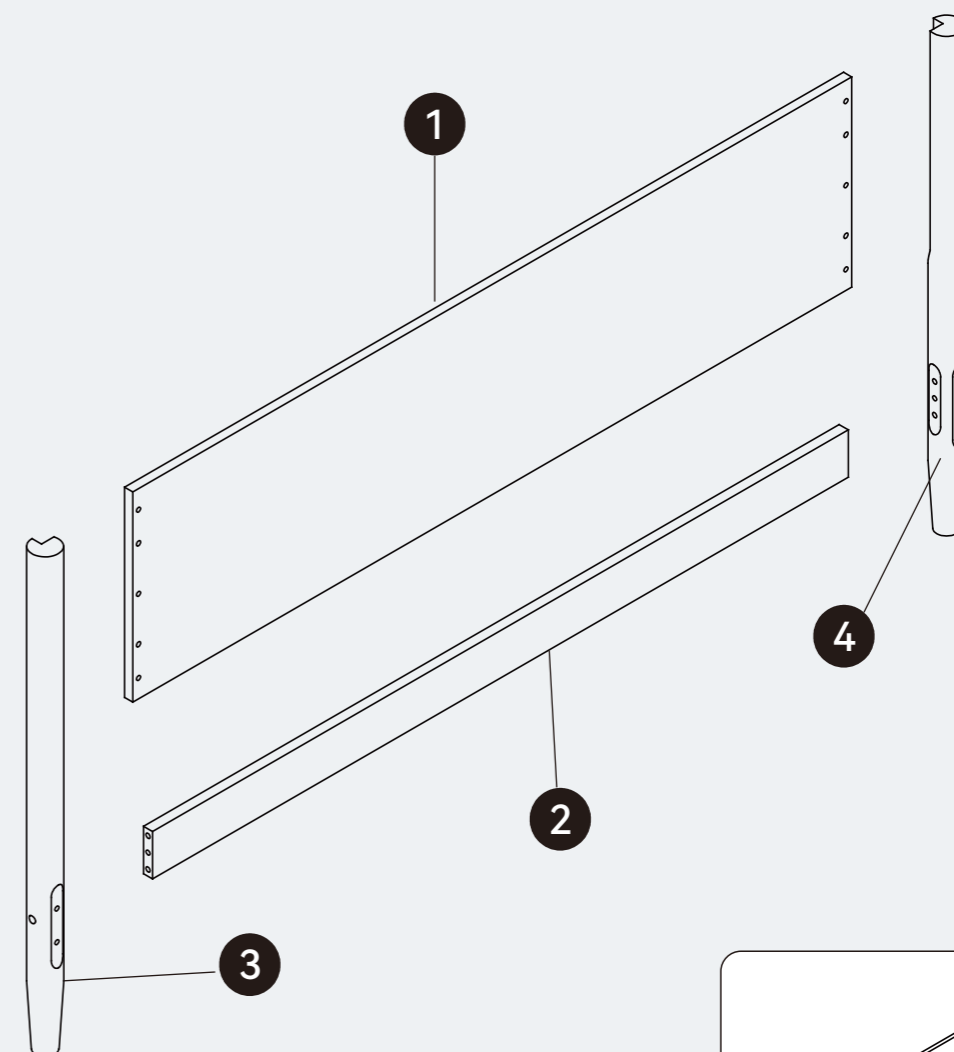


Tape measure

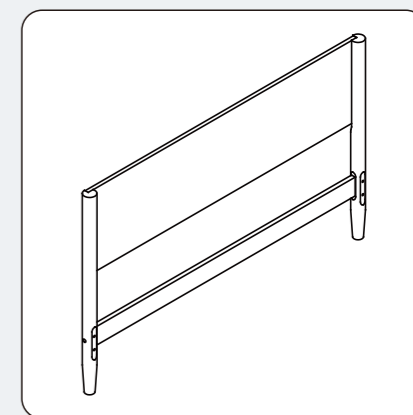


Other Tools Required
Phillips Screwdriver
(Not Included)

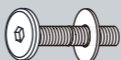


Headboard Section Installation



The headboard section assembly requires a total of labeled panels shown in the diagram. Please locate all of them and prepare them for use.



Hardware Accessory List

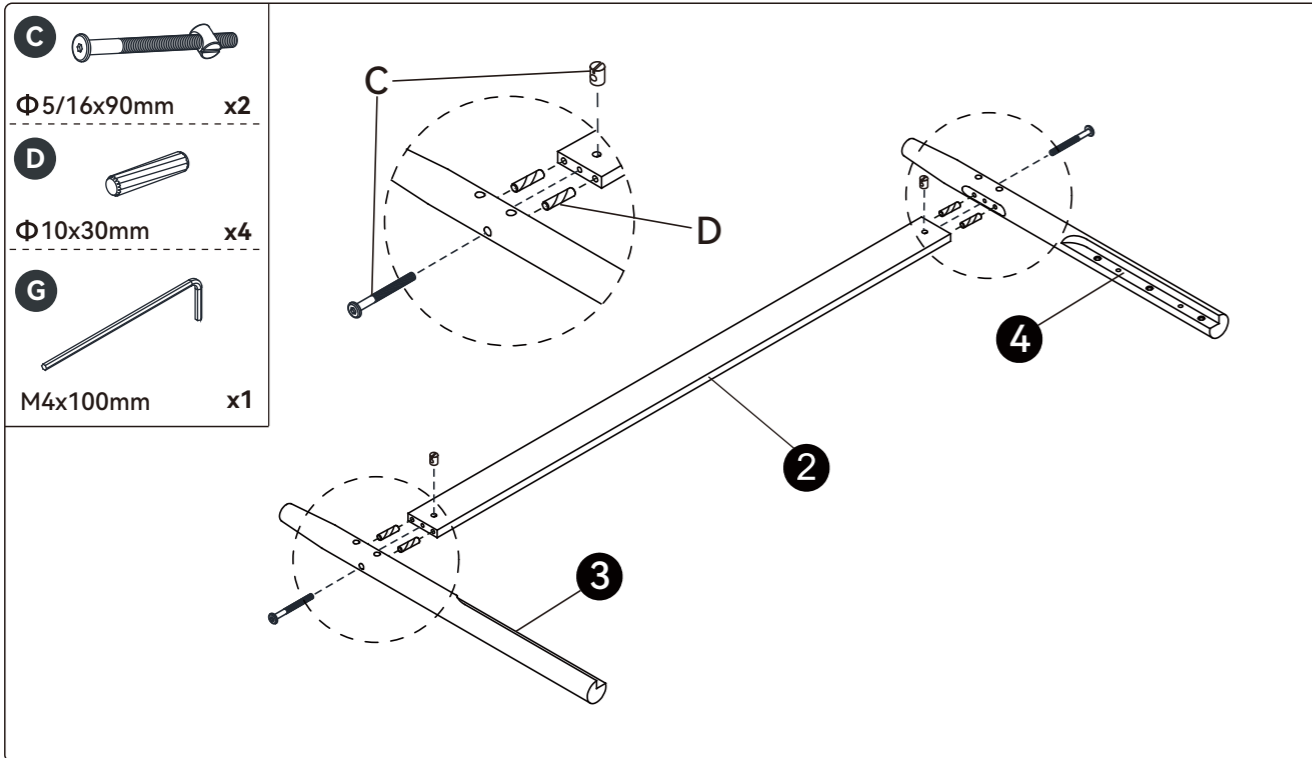
B		$\Phi 5/16 \times 38 \text{mm}$ x6
C		$\Phi 5/16 \times 90 \text{mm}$ x2
D		$\Phi 10 \times 30 \text{mm}$ x8

Note:

Ensure all hardware components are accounted for before beginning assembly. Missing or damaged hardware should be reported to customer service for replacement.

Step 1

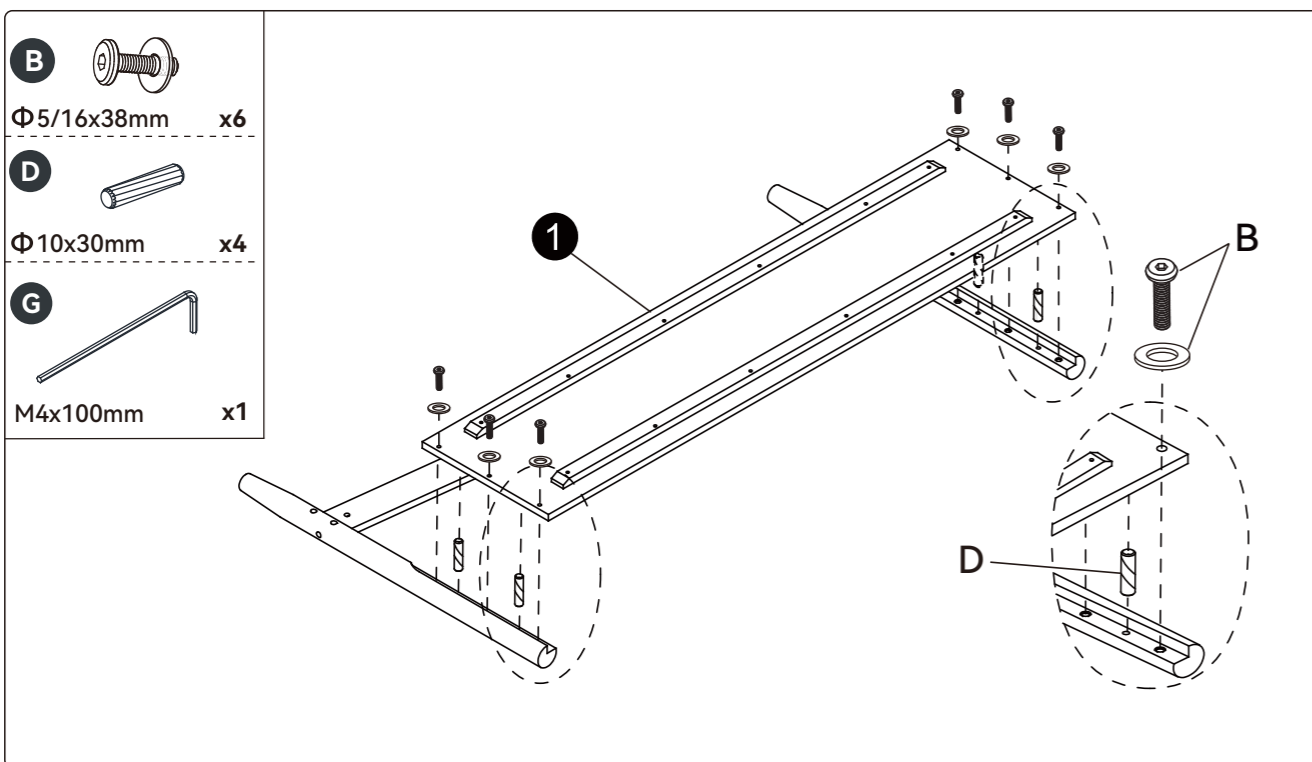
Headboard Section



Assemble the headboard bottom frame (2) with the headboard legs (3 & 4) using barrel nuts (C) and wood dowels (D), as illustrated.

Step 2

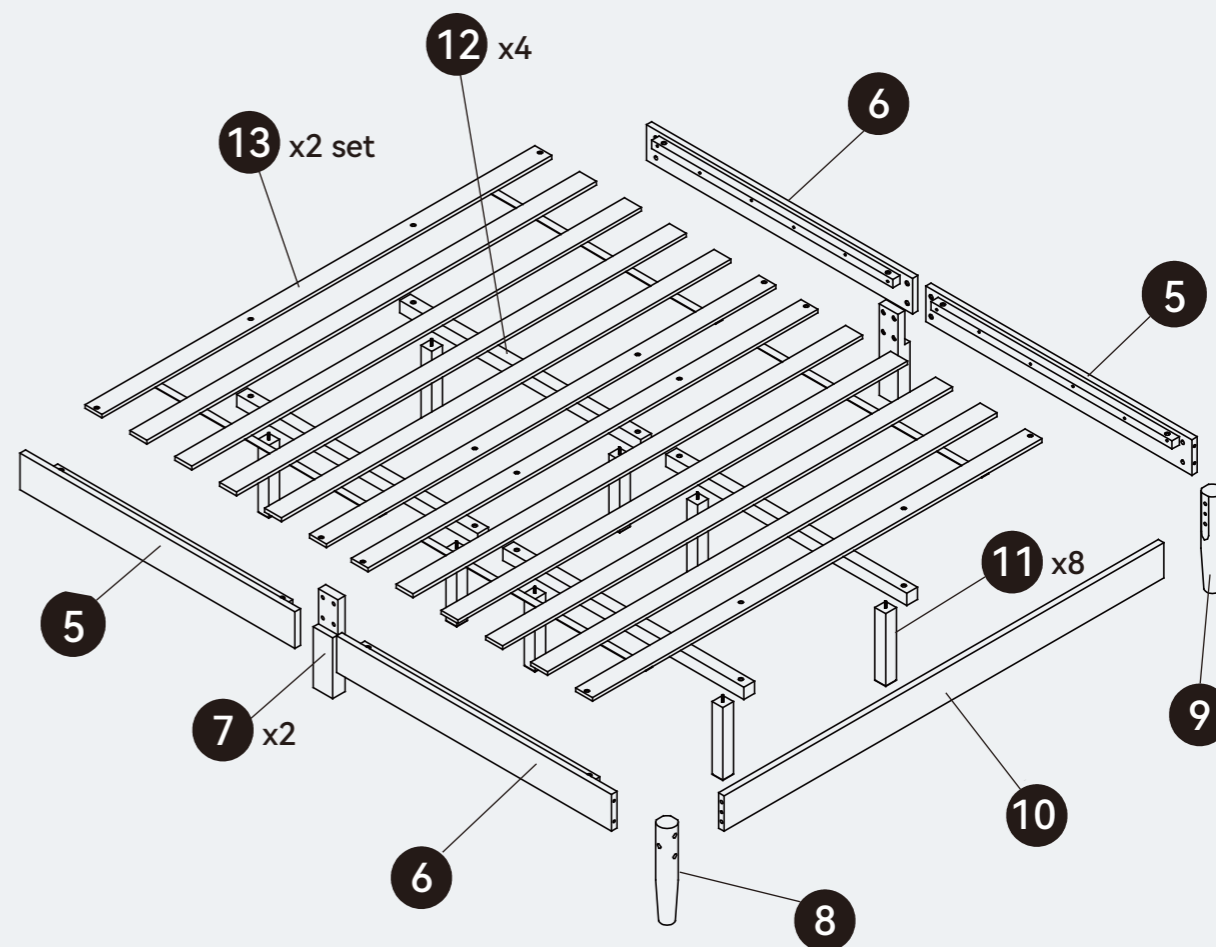
Headboard Section



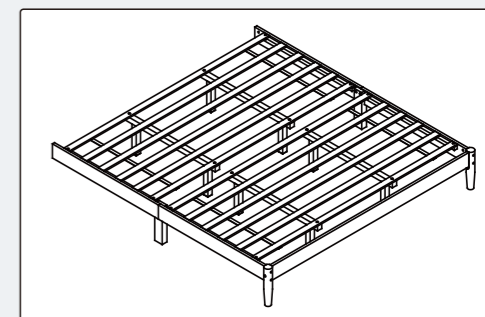
Insert the wood dowels (D) into the legs first, then align the headboard onto the L-shaped cut area and tighten it with bolts (B), as illustrated.



Frame Parts Section Installation



The frame parts section assembly requires a total of labeled panels shown in the diagram. Please locate all of them and prepare them for use.



Hardware Accessory List

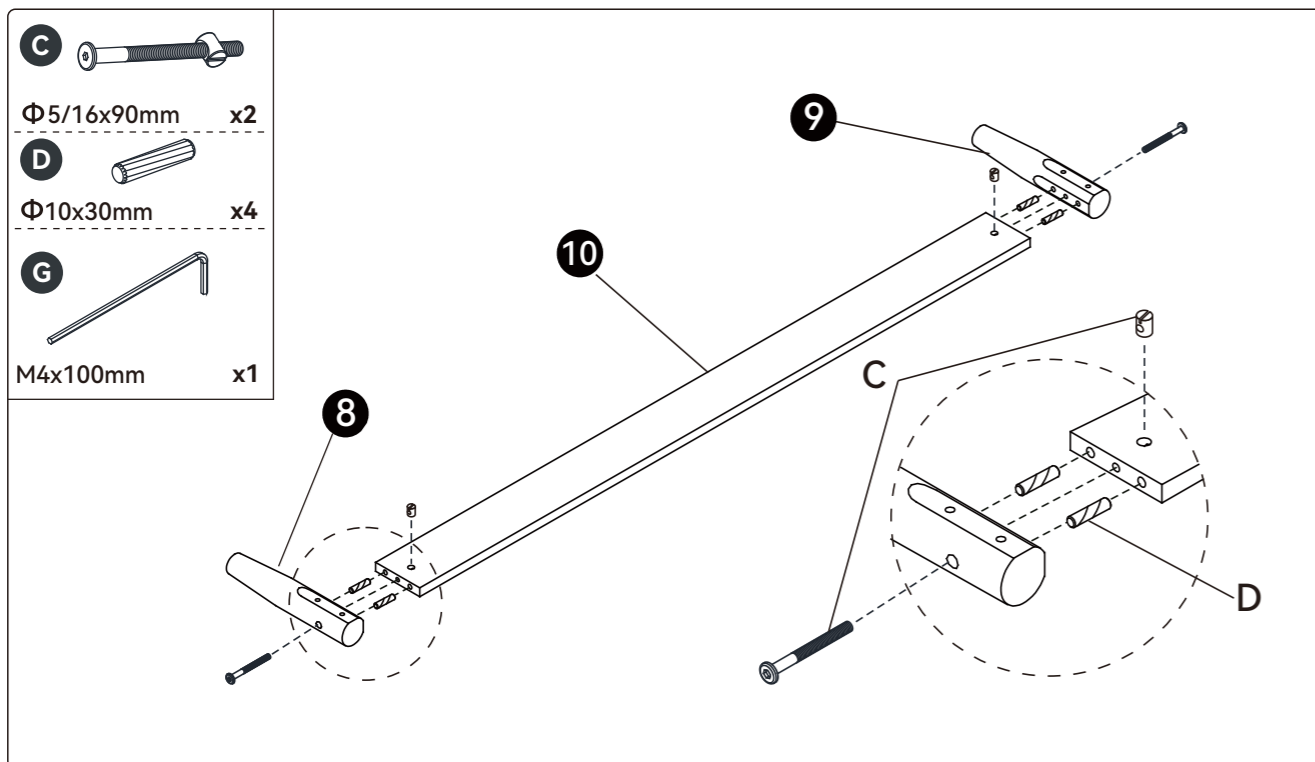
A		Φ5/16x25mm x16
B		Φ5/16x38mm x8
C		Φ5/16x90mm x10
D		Φ10x30mm x4

Note:

Ensure all hardware components are accounted for before beginning assembly. Missing or damaged hardware should be reported to customer service for replacement.

Step 3

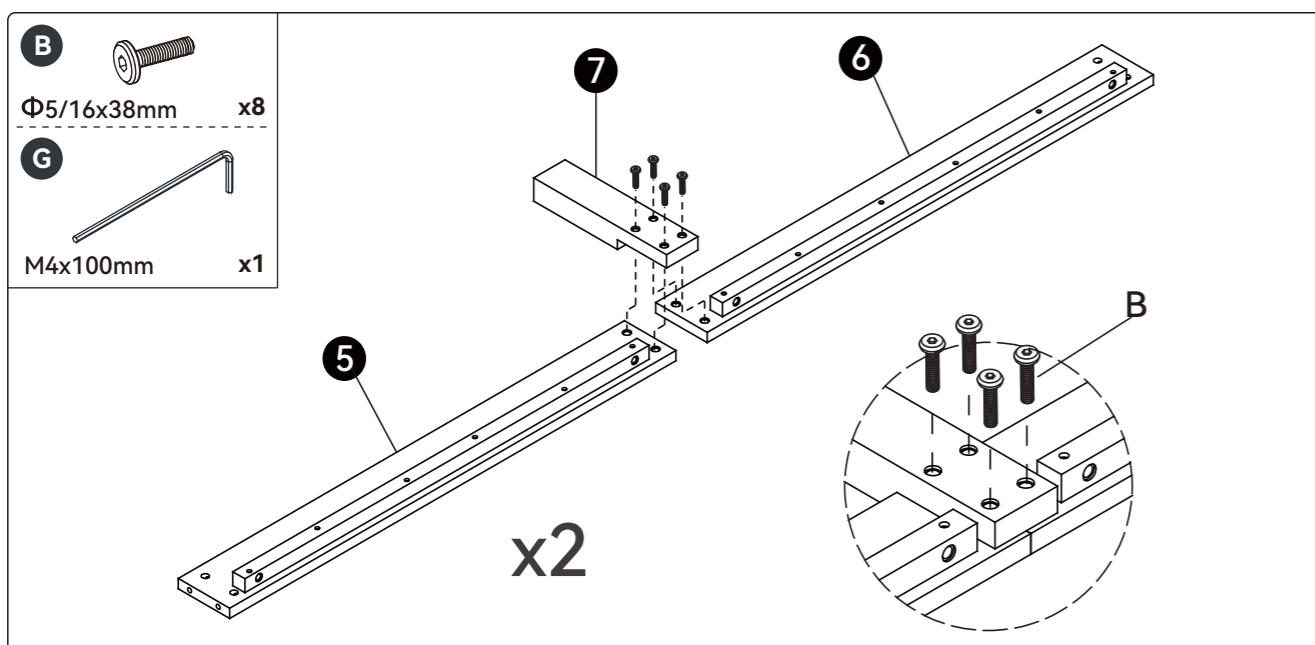
Frame Parts Section



Insert the wood dowels (D) into footboard legs (8 & 9), then tighten them with barrel nuts (C) from the outside of the legs, as illustrated.

Step 4

Frame Parts Section

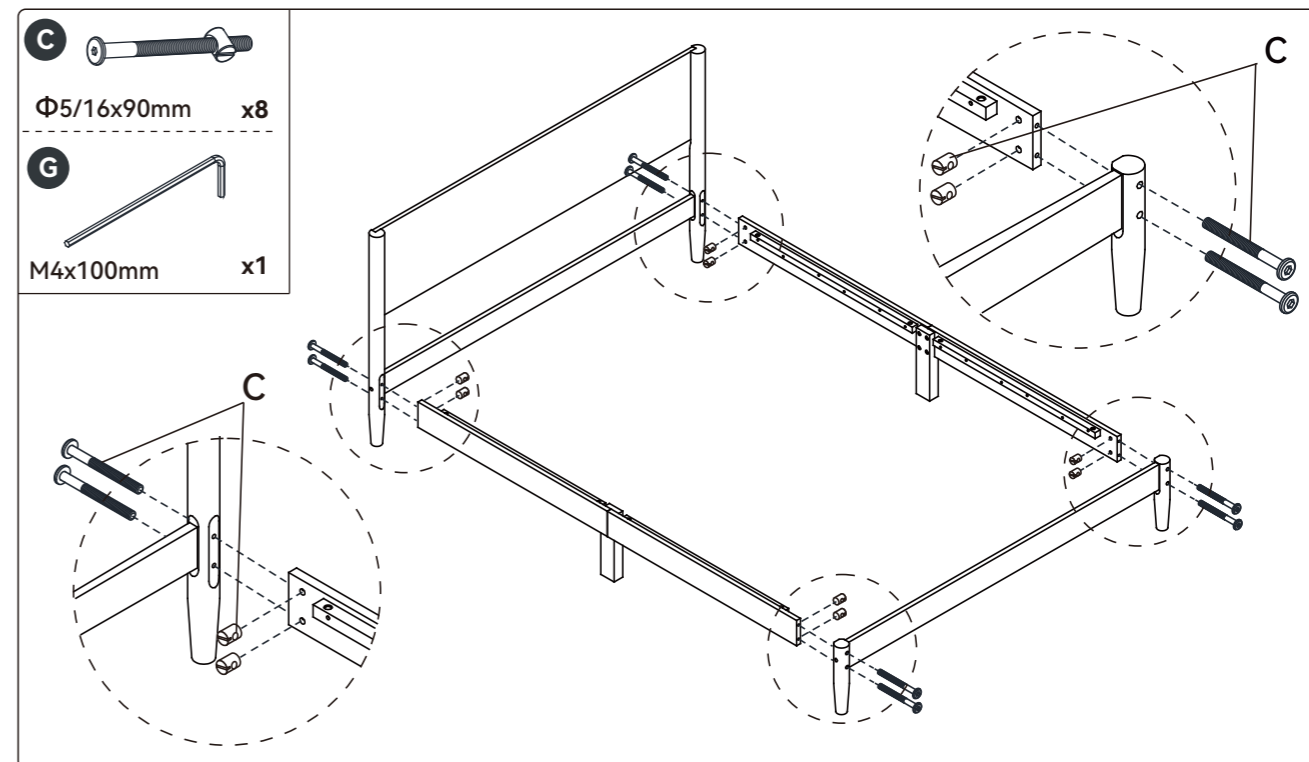


Assemble the side rails (5 & 6) with the side-rail legs (7) using bolts (B), as illustrated. Repeat this step twice to complete the two side rails of the bed.

Note:
The left and right side rails refer to the same orientation of the bed.

Step 5

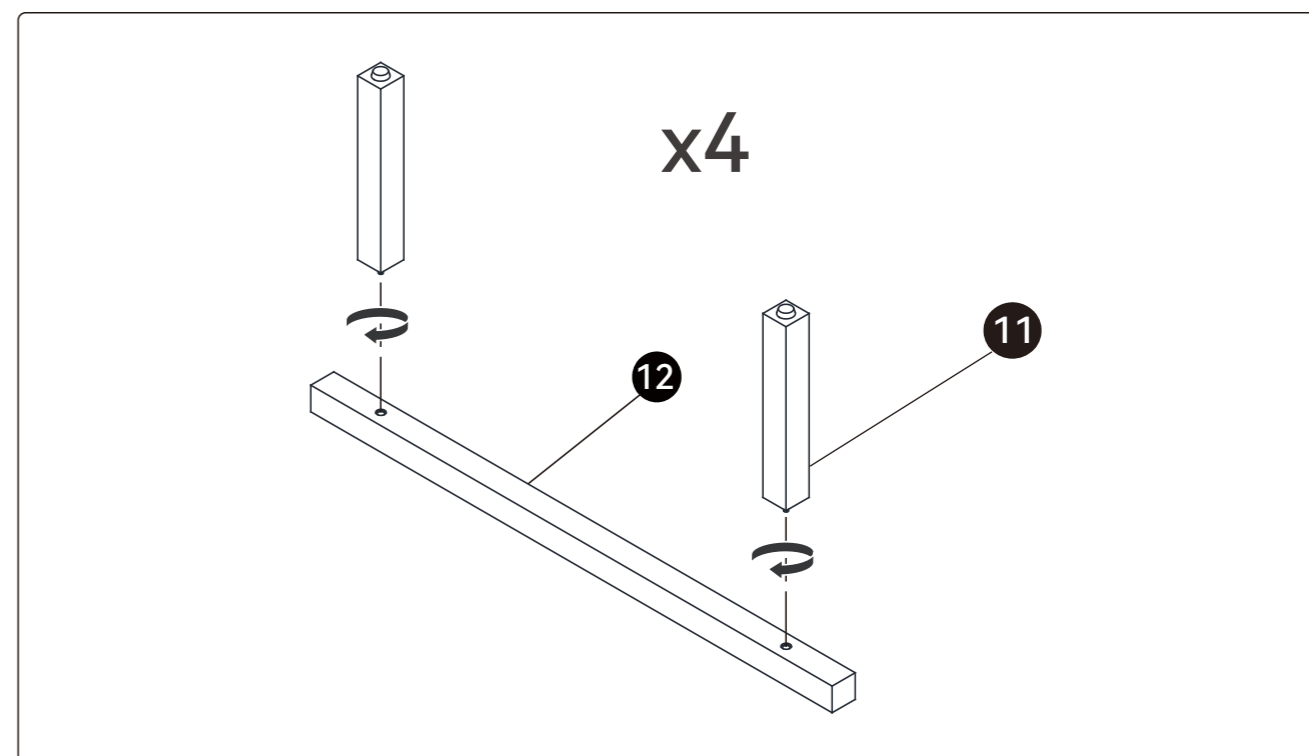
Frame Parts Section



Assemble both siderails to the headboard and footboard using barrel nuts (C), as illustrated. Tighten them with the Allen wrench (G).

Step 6

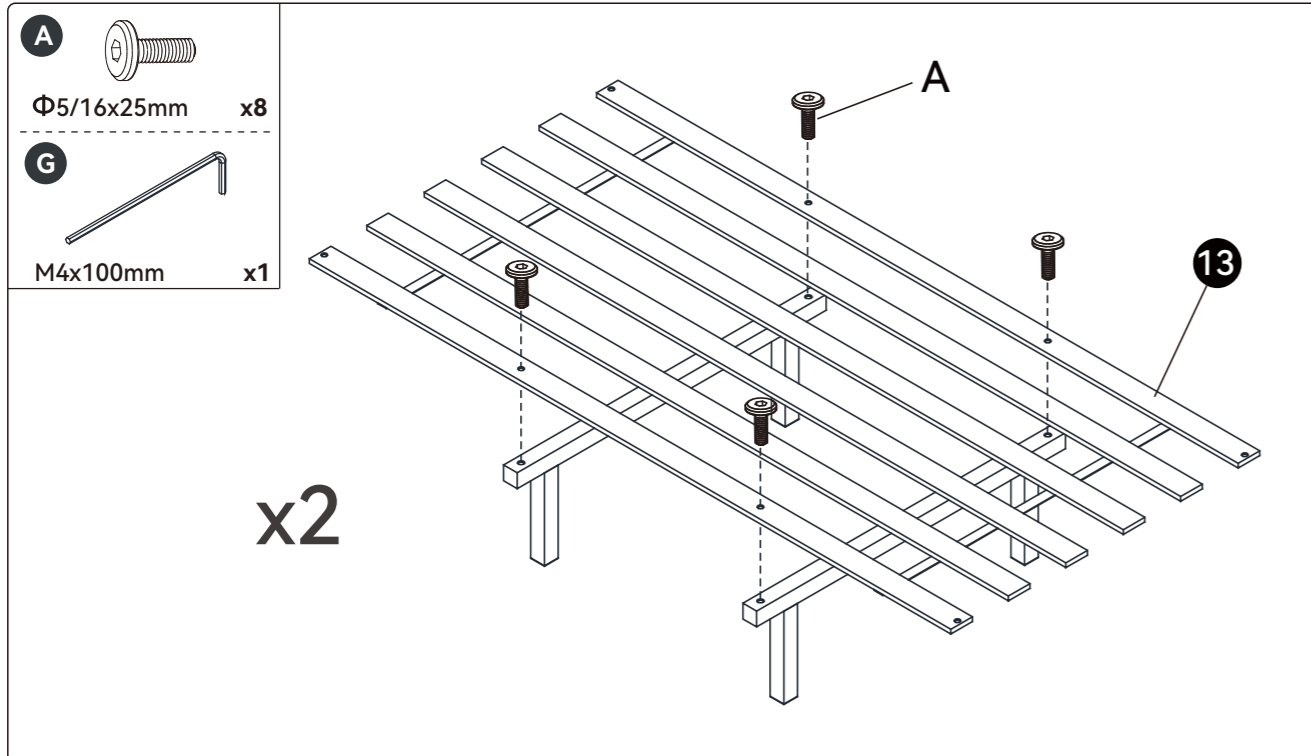
Frame Parts Section



Twist the middle legs (11) clockwise into the supporting rails (12). Repeat this step four times to complete.

Step 7

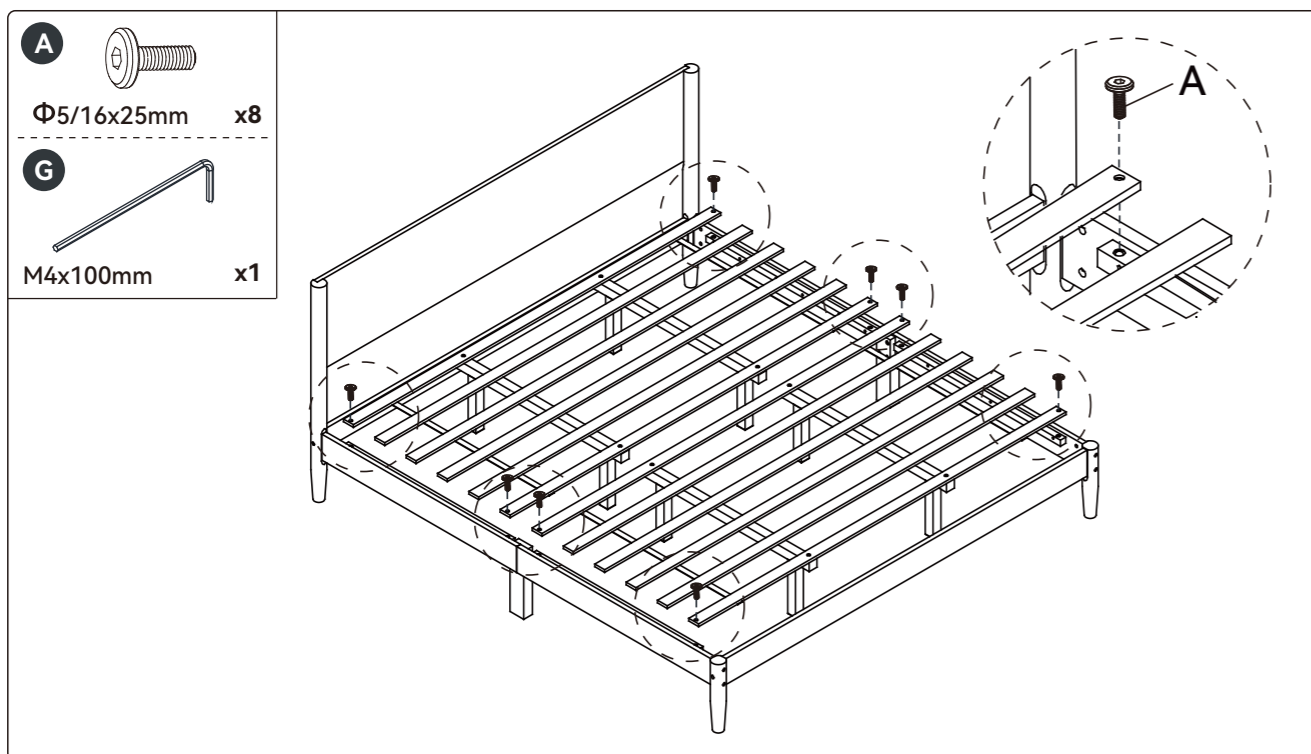
Frame Parts Section



Align the center-slat assembly (from Step 6) with the holes along the slat kit (13) and tighten using bolts (A). Repeat this step twice.

Step 8

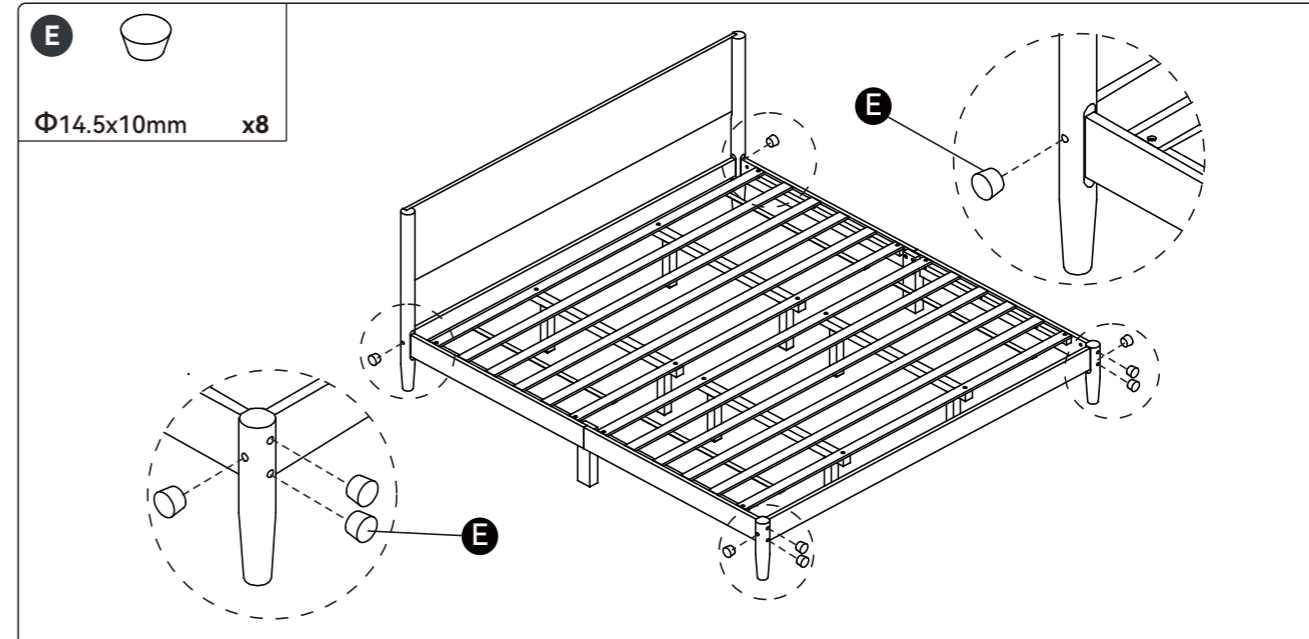
Frame Parts Section



Place the slat kit onto the side rails, then insert bolts (A) into both ends and tighten them using the Allen wrench (G).

Step 9

Frame Parts Section



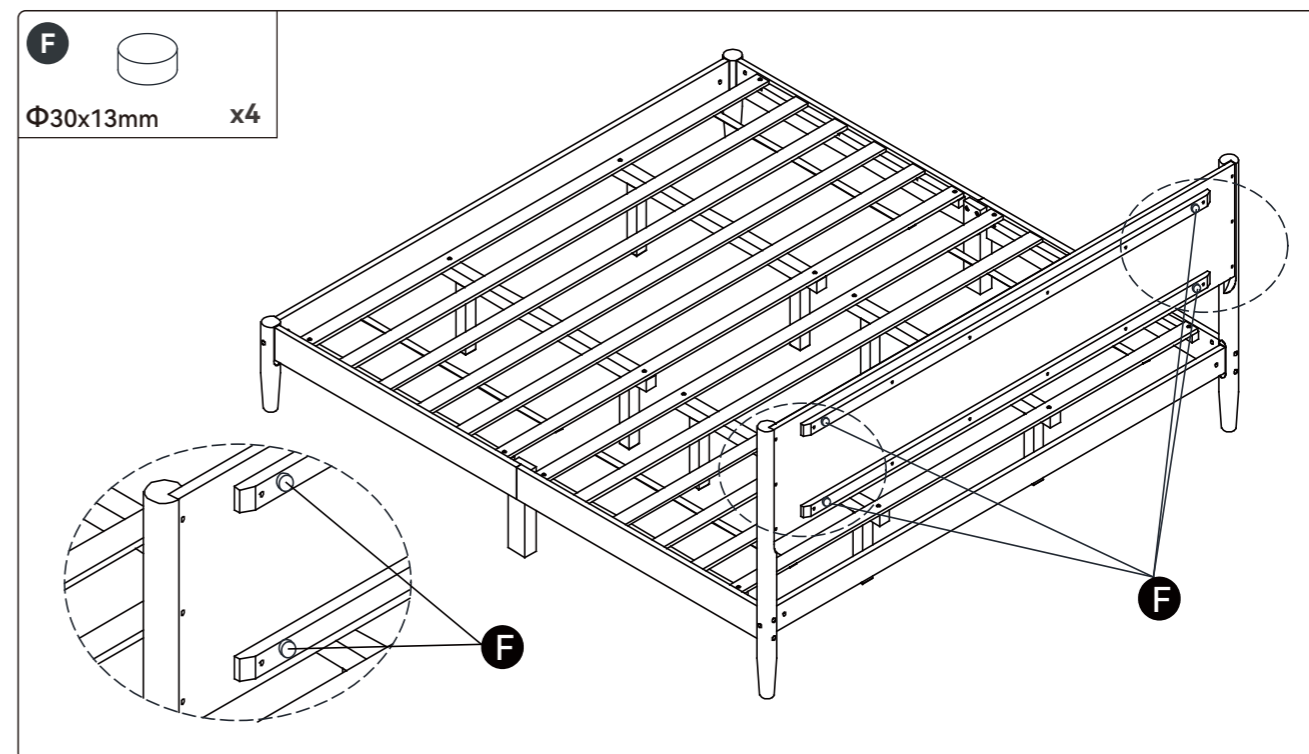
Insert the wooden blocks (E) into the bolt holes to cover the exposed bolts. (Optional)

Note:

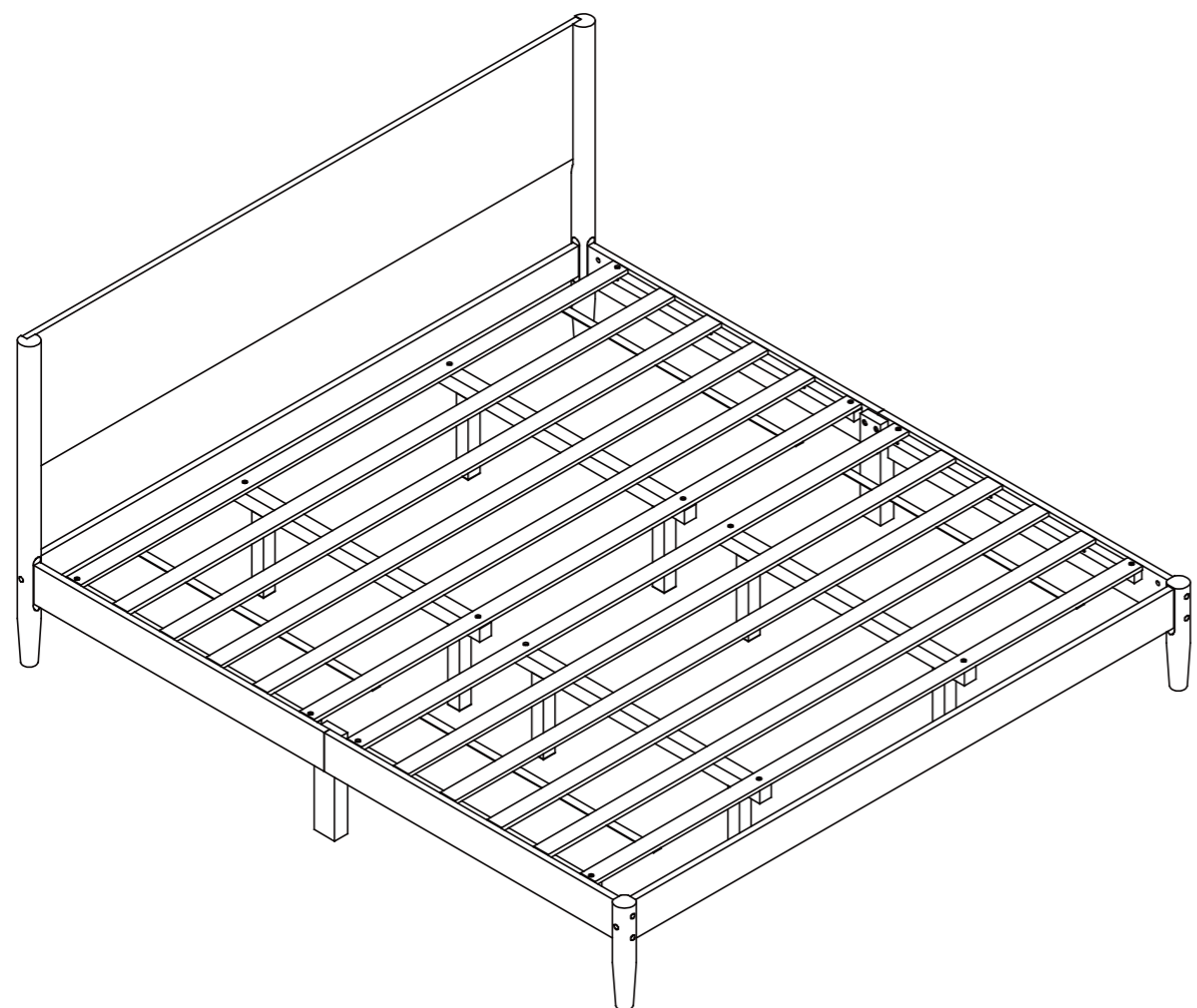
Be aware of children playing around, as they may swallow the blocks.

Step 10

Frame Parts Section



Attach the silent pad (F) as illustrated to provide cushioning.



ASSEMBLY IS COMPLETED!