

NOTICE

Please retain these instructions for future use.

Care should be taken when assembling the product. If you notice any required parts are missing please get in touch via cs@cheaper-online.co.uk.

Please stop using the product if any parts are broken, damaged or worn. We strongly advise awaiting repairs or factory replacements being installed before use in such cases.

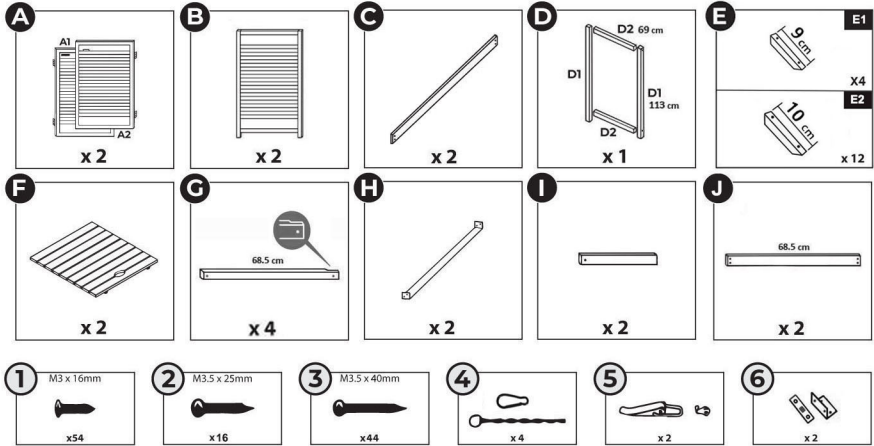


TWO PERSON



APPROX. 60 MIN SETUP

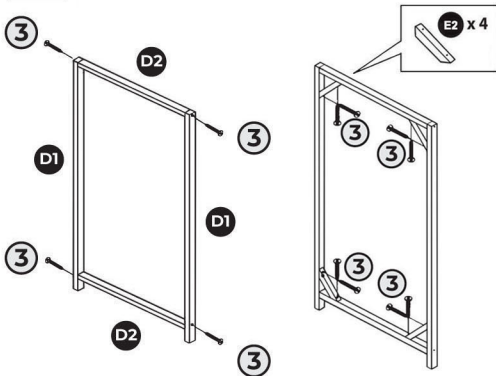
HARDWARE & PARTS



PRODUCT ASSEMBLY

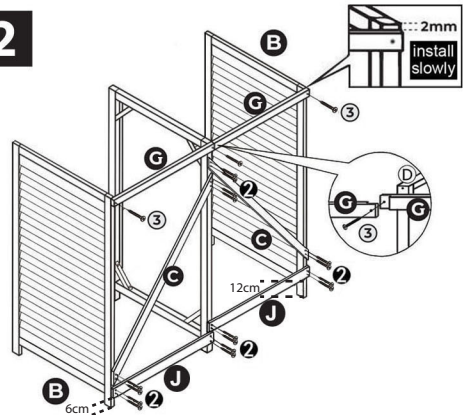
1

The frame should be built on a flat and level surface



Please install slowly when using screws. Installing screws too fast can cause cracks.

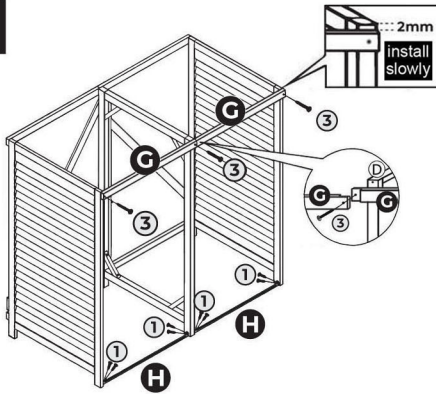
2



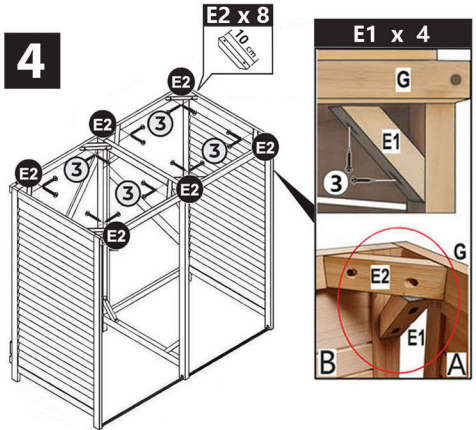
Assistance is required to hold the frame in place and ensure the frame is square before fixing part 1. We advise installing part 6 at the end of the assembly.

PRODUCT ASSEMBLY

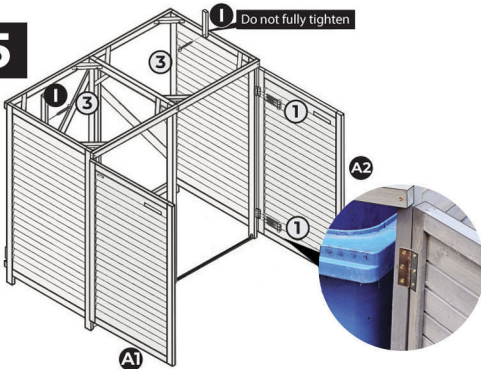
3



4

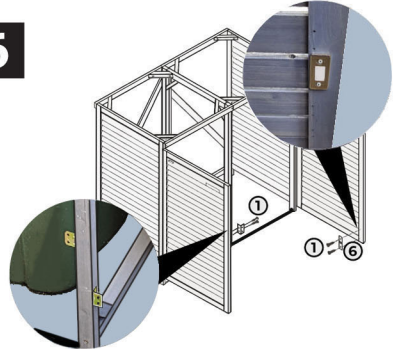


5



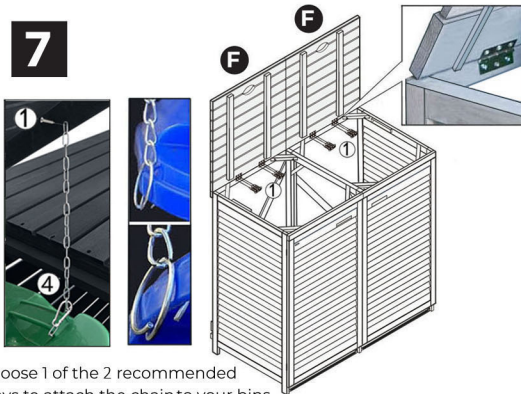
Align the tops of the doors with the top of the frame, leaving a small gap. The hinge attaches to the front face of the frame.

6



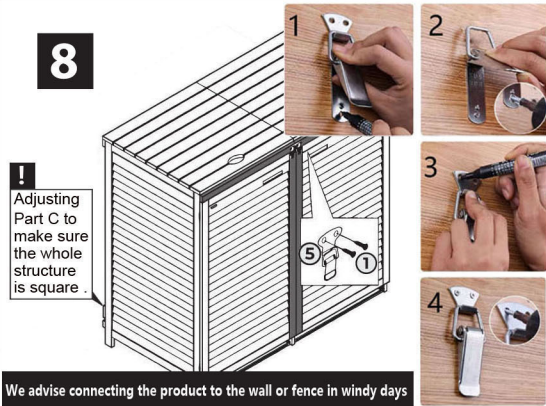
Fix the magnetic plate to the inside of the door. Ensure that the plate is higher than the wheels of your bin. Fix the magnet in the corresponding spot on the door to secure closing.

7



Choose 1 of the 2 recommended ways to attach the chain to your bins.

8



We advise connecting the product to the wall or fence in windy days