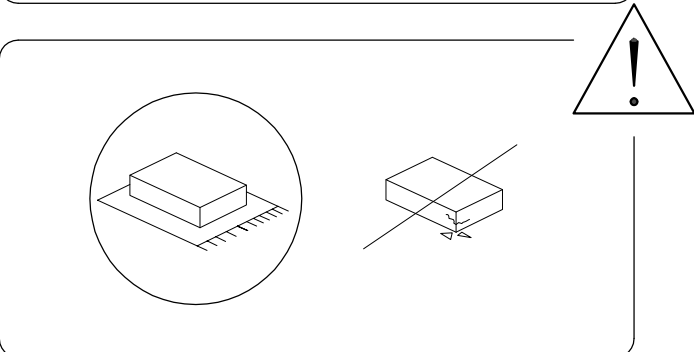
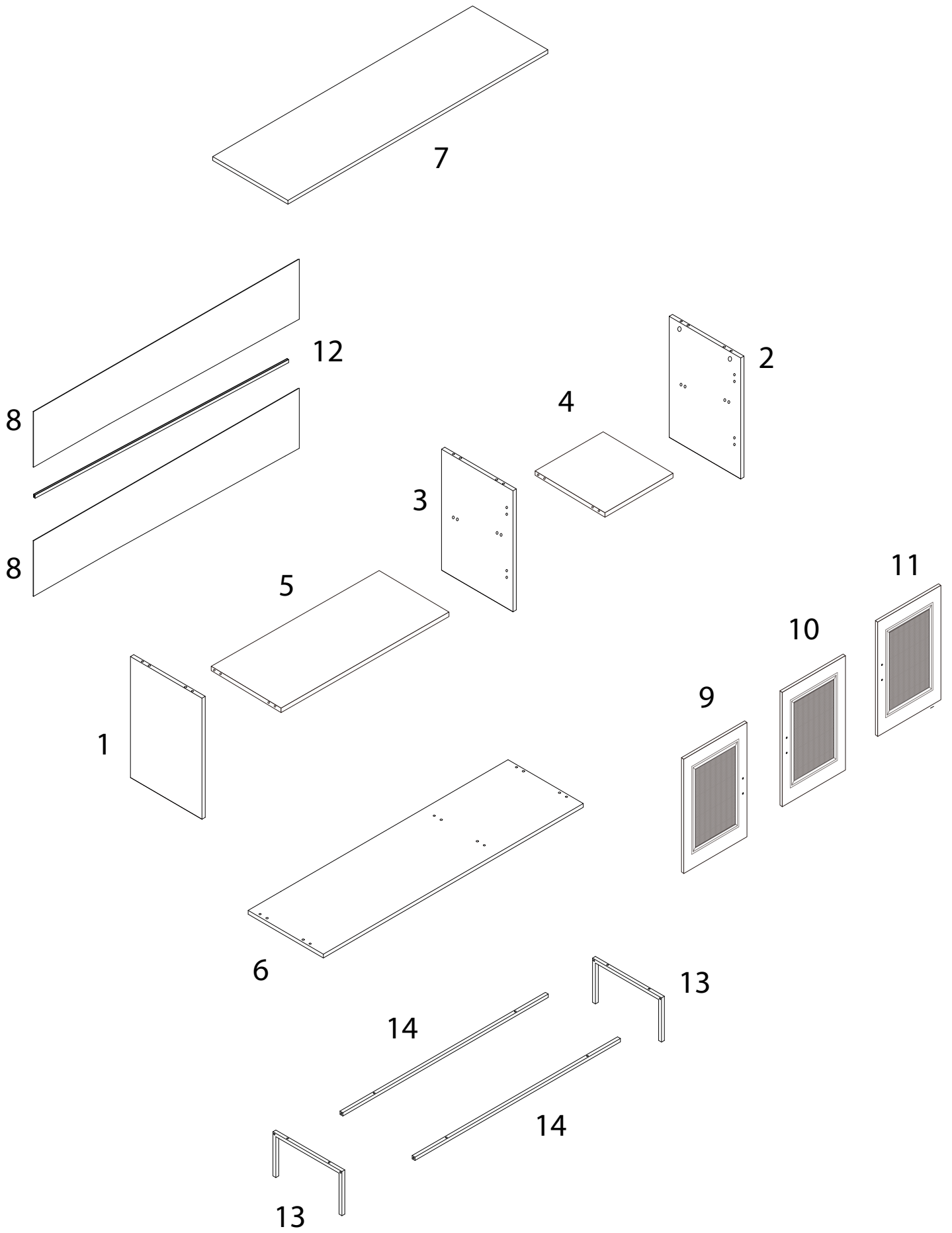


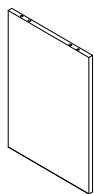
60'



2



1



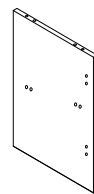
x 1

2



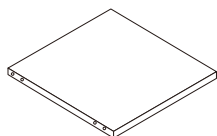
x 1

3



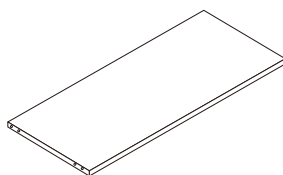
x 1

4



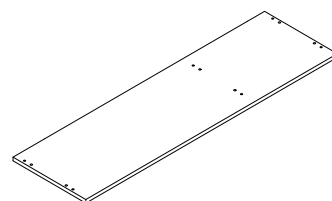
x 1

5



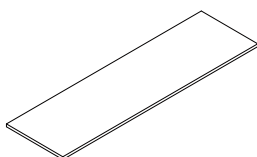
x 1

6



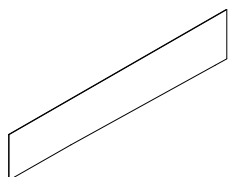
x 1

7



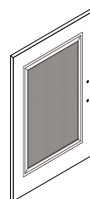
x 1

8



x 2

9



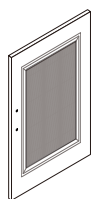
x 1

10



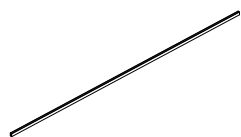
x 1

11



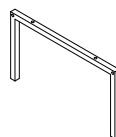
x 1

12



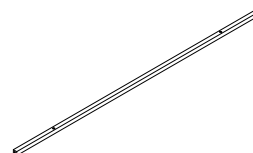
x 1

13


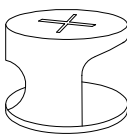
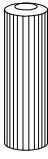
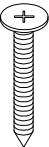
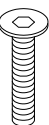
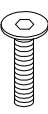
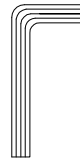
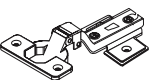

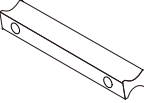

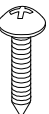

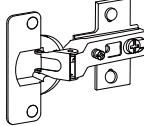


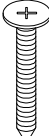

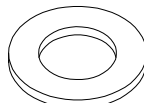


x 2

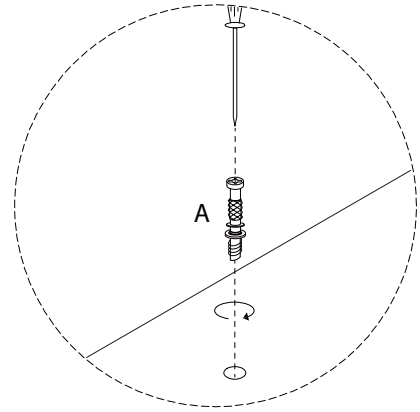
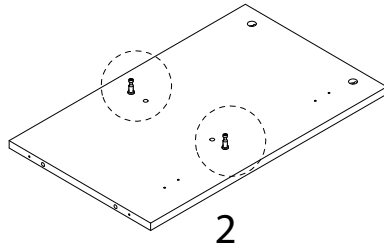
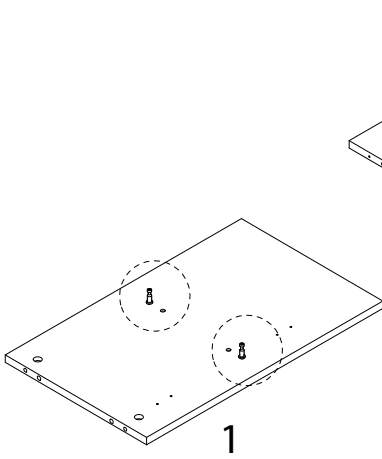
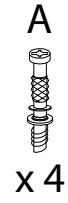
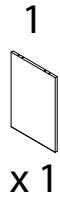
14



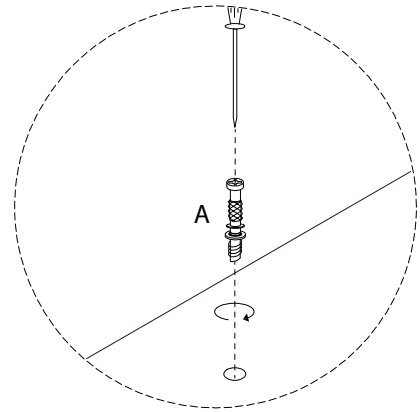
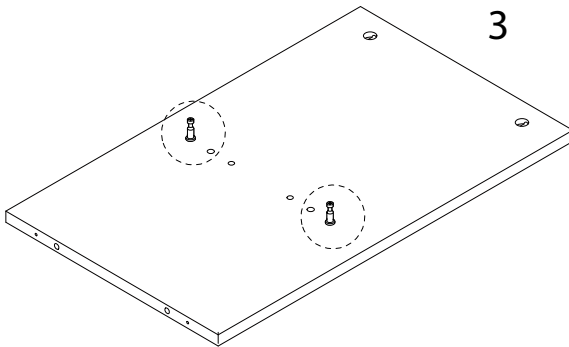
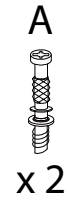
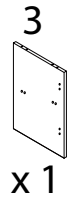
x 2

<p style="text-align: center;">A</p>  <p style="text-align: center;">x 12</p>	<p style="text-align: center;">B</p>  <p style="text-align: center;">x 12</p>	<p style="text-align: center;">C</p>  <p style="text-align: center;">M8 x 30</p> <p style="text-align: center;">x 16</p>	
<p style="text-align: center;">D</p>  <p style="text-align: center;">M5 x 40</p> <p style="text-align: center;">x 8</p>	<p style="text-align: center;">E</p>  <p style="text-align: center;">M6 x 30</p> <p style="text-align: center;">x 4</p>	<p style="text-align: center;">F</p>  <p style="text-align: center;">M6 x 25</p> <p style="text-align: center;">x 8</p>	<p style="text-align: center;">G</p>  <p style="text-align: center;">x 1</p>
<p style="text-align: center;">H</p>  <p style="text-align: center;">x 4</p>	<p style="text-align: center;">I</p>  <p style="text-align: center;">M3.5 x 14</p> <p style="text-align: center;">x 24</p>	<p style="text-align: center;">J1</p>  <p style="text-align: center;">x 3</p>	<p style="text-align: center;">J2</p>  <p style="text-align: center;">M4 x 18</p> <p style="text-align: center;">x 6</p>
<p style="text-align: center;">K</p>  <p style="text-align: center;">M3 x 16</p> <p style="text-align: center;">x 18</p>	<p style="text-align: center;">L</p>  <p style="text-align: center;">M8 x 50</p> <p style="text-align: center;">x 2</p>	<p style="text-align: center;">M</p>  <p style="text-align: center;">x 2</p>	<p style="text-align: center;">N1</p>  <p style="text-align: center;">x 2</p>
<p style="text-align: center;">N2</p>  <p style="text-align: center;">M3 x 16</p> <p style="text-align: center;">x 2</p>	<p style="text-align: center;">N3</p>  <p style="text-align: center;">M4 x 30</p> <p style="text-align: center;">x 2</p>	<p style="text-align: center;">N4</p>  <p style="text-align: center;">x 2</p>	<p style="text-align: center;">N5</p>  <p style="text-align: center;">x 4</p>

1

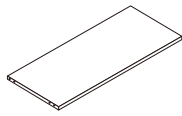


2



3

5

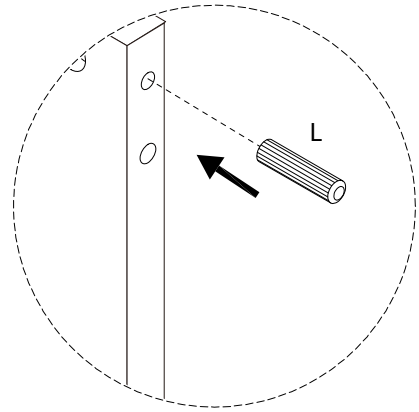
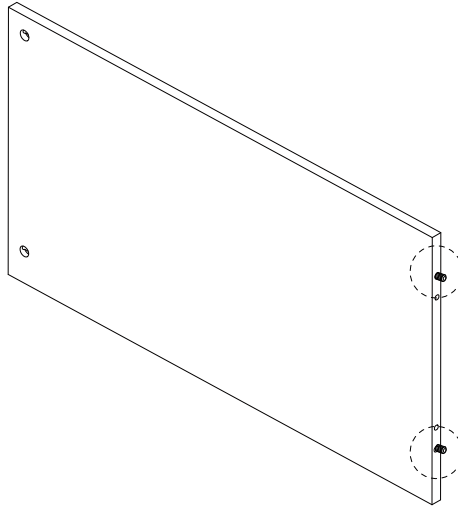


x 1

L

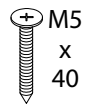


x 2

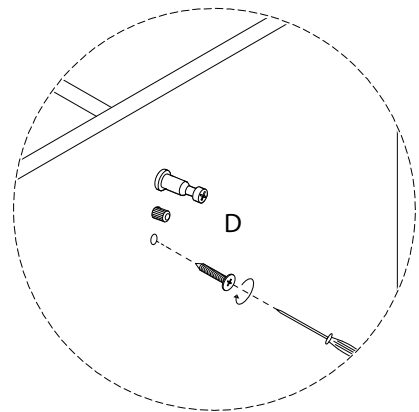
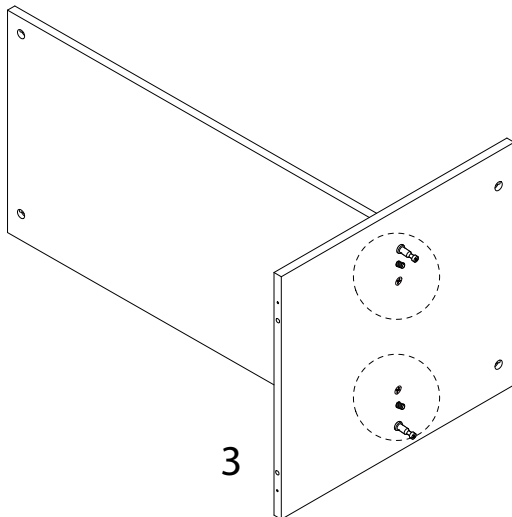


4

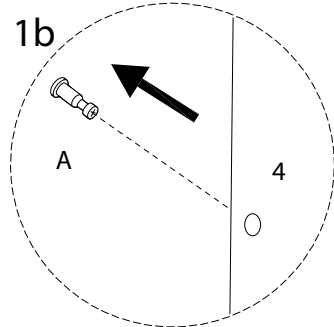
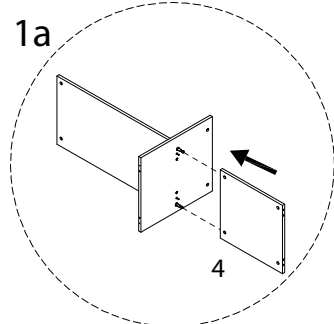
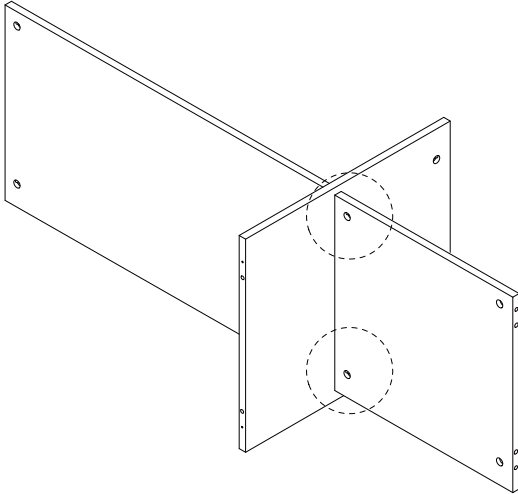
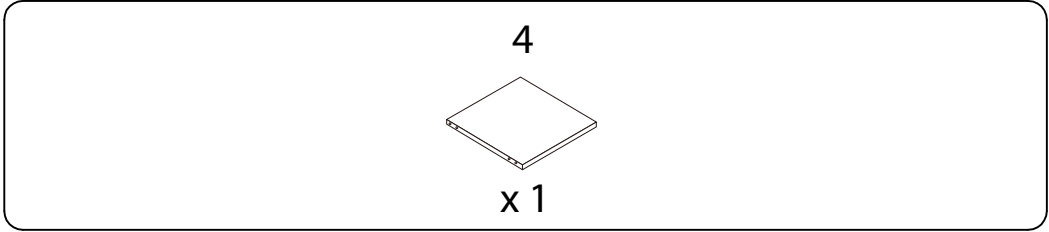
D



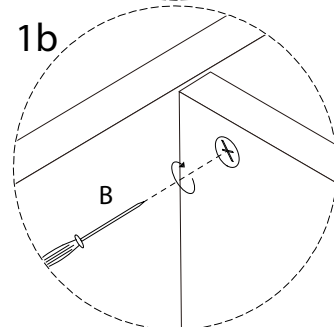
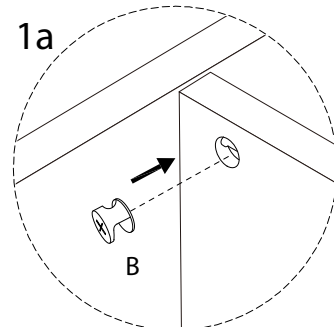
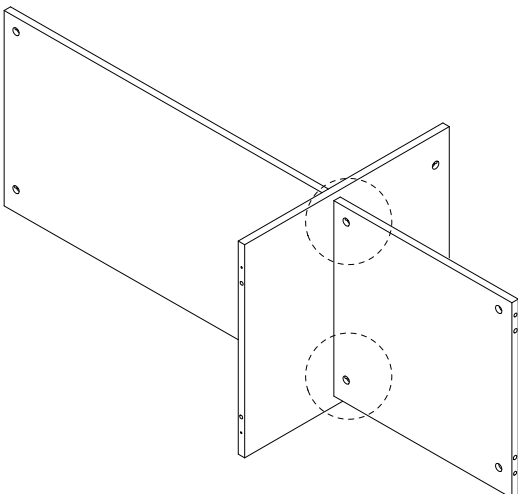
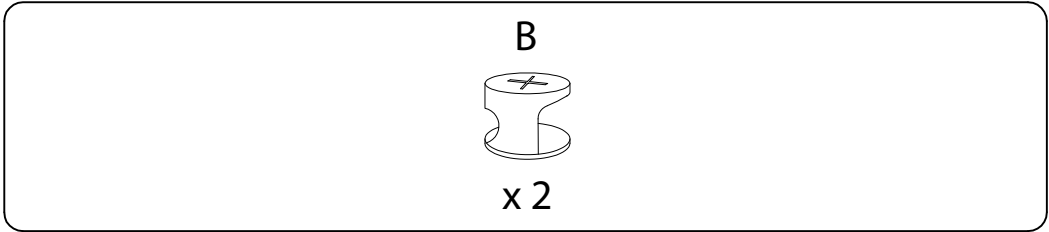
x 2



5



6

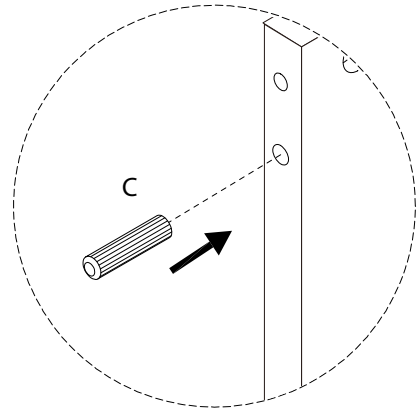
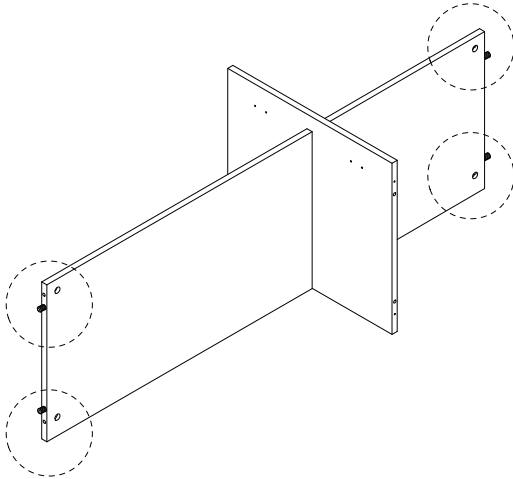


7

C



x 4

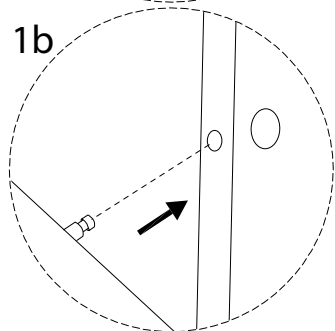
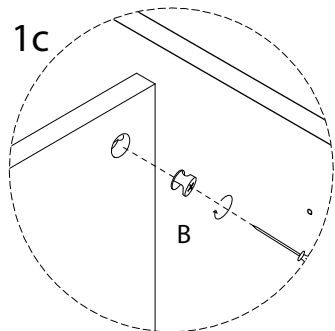
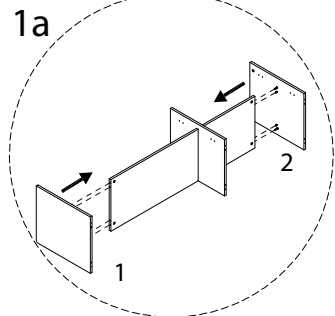
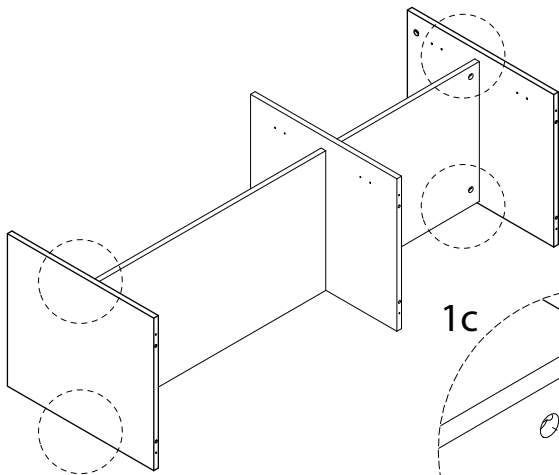


8

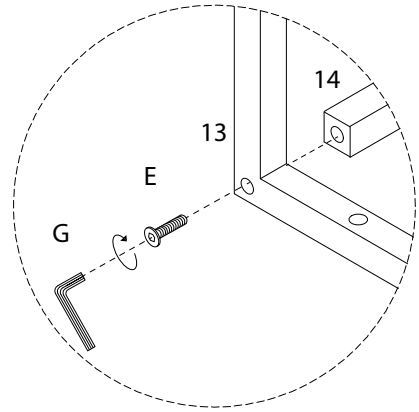
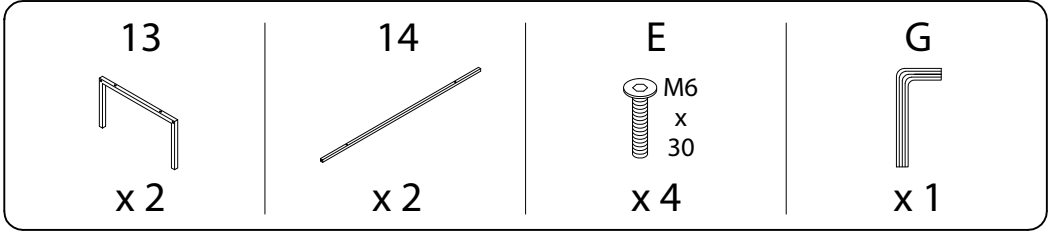
B



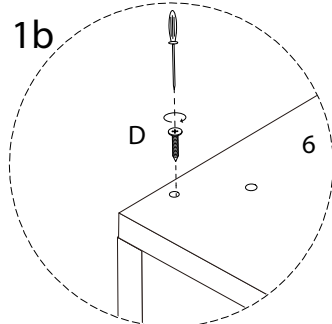
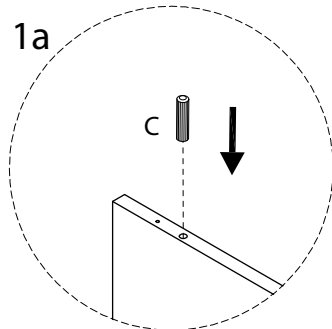
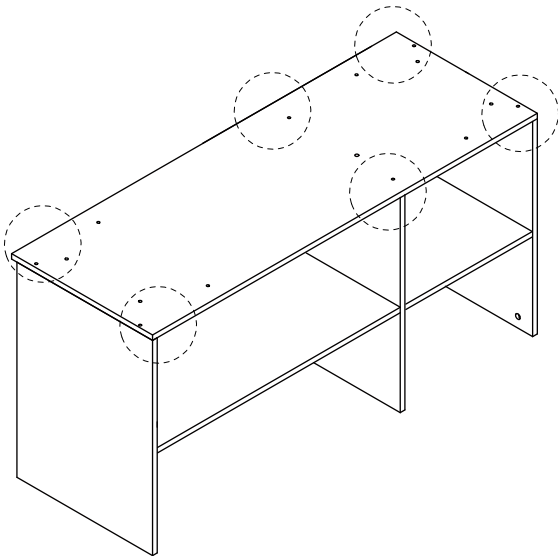
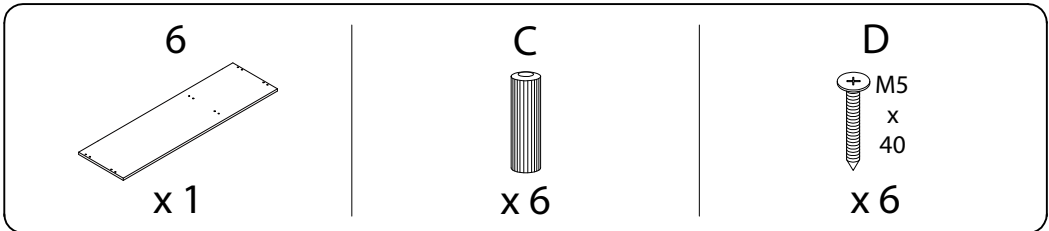
x 4



9

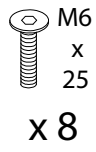


10

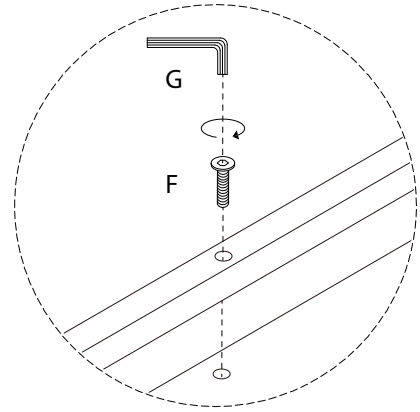
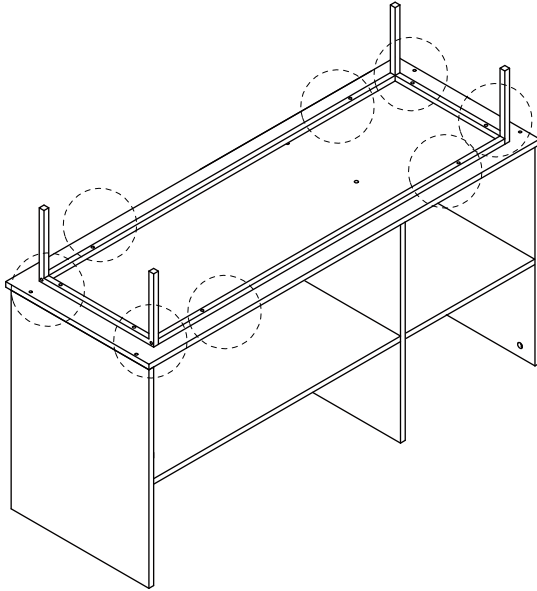


11

F

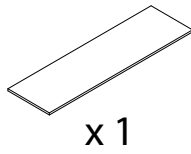


G

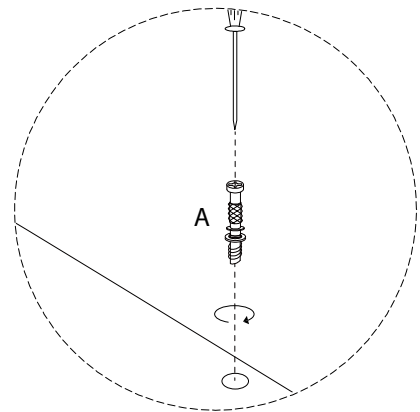
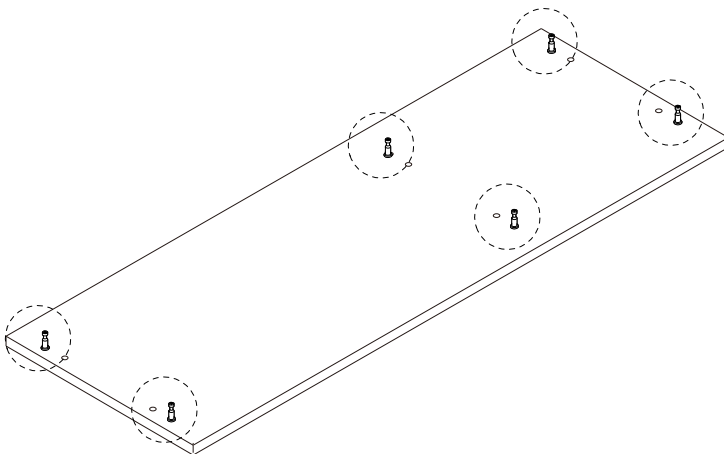
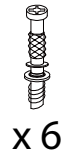


12

7



A

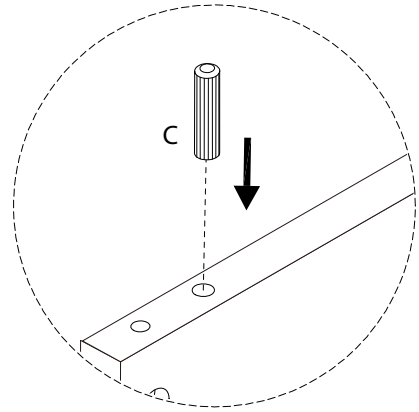
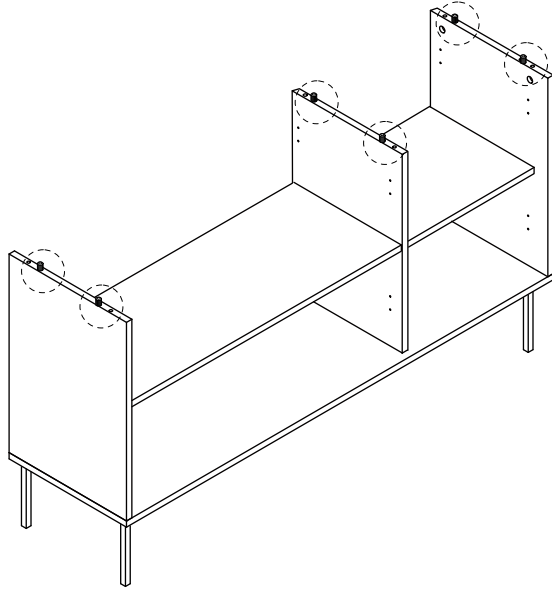


13

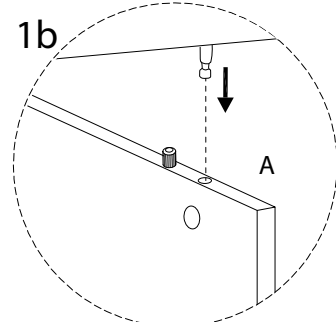
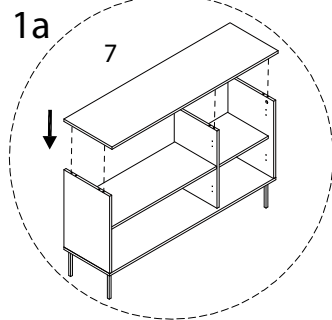
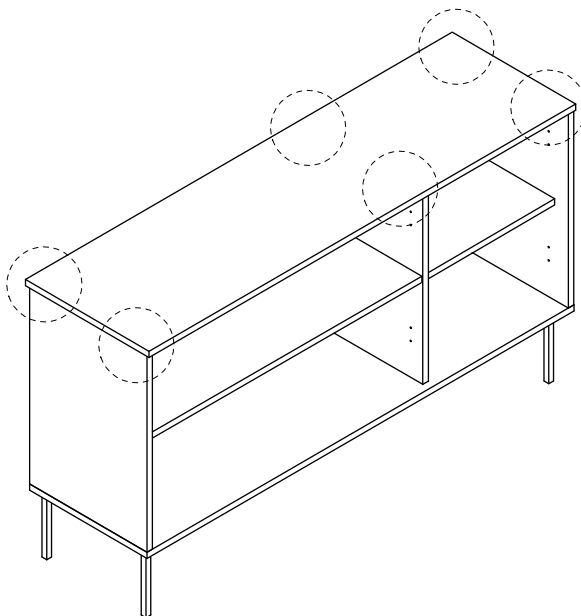
C



x6



14

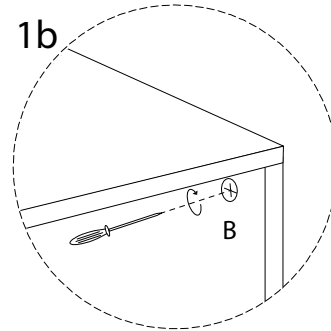
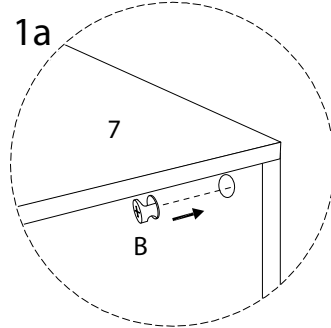
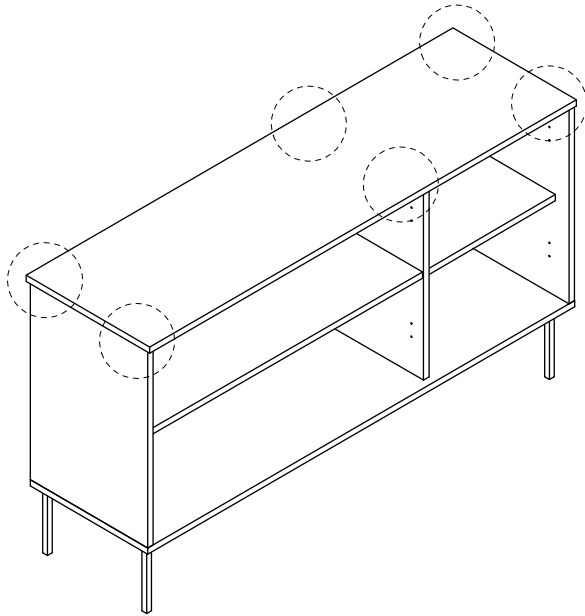


15

B

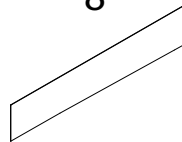


x 6



16

8



x 2

12

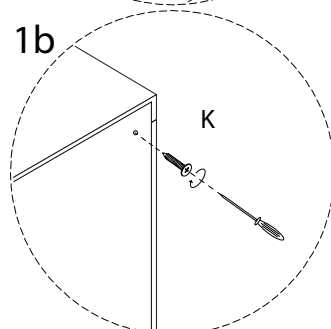
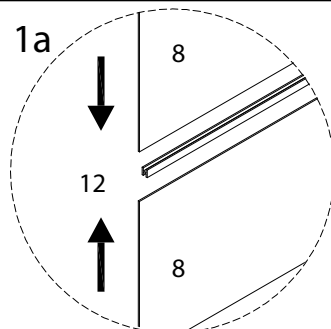
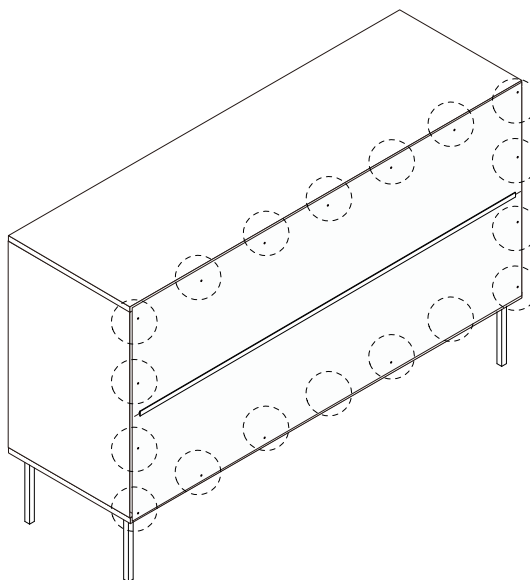


x 1




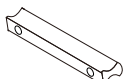

K

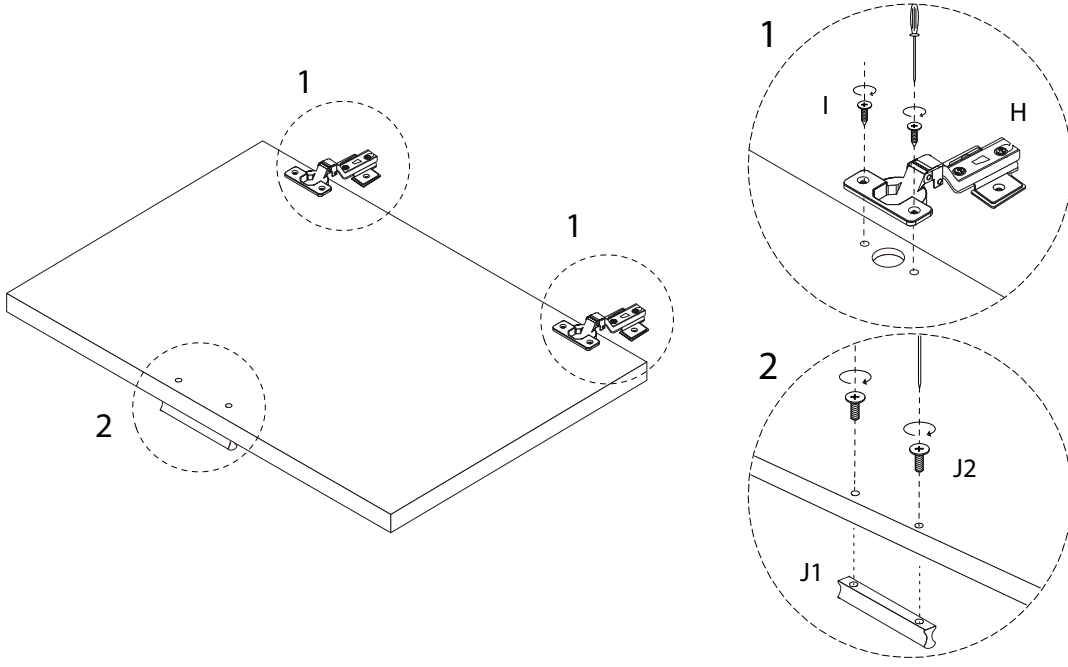


x 18




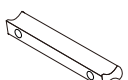



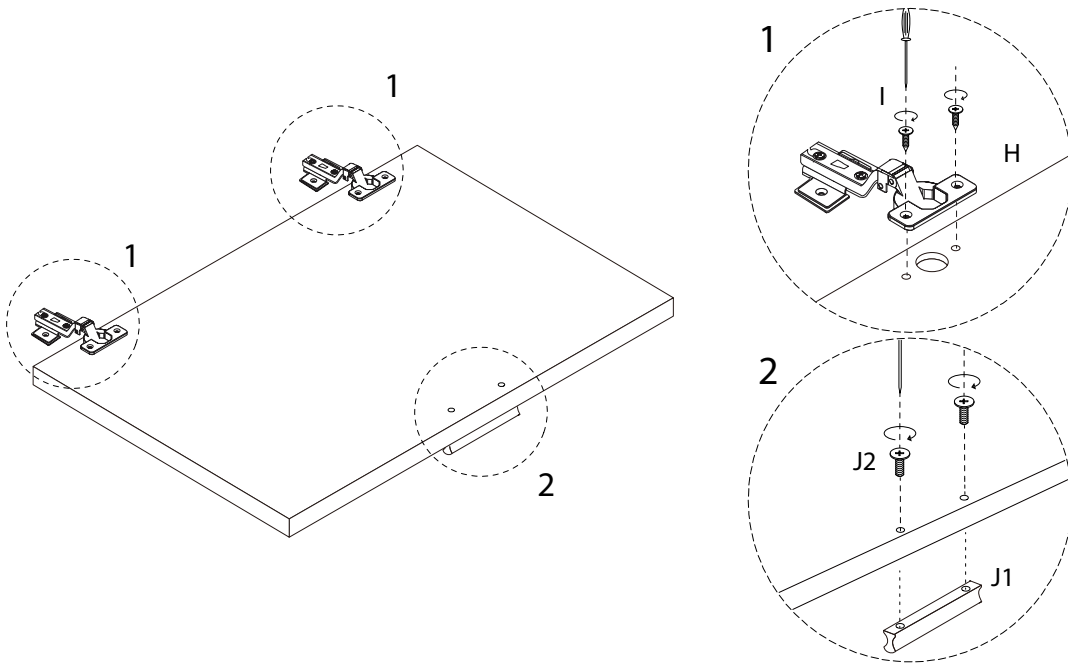
17

9  x 1	I  M3.5 x 14 x 4	H  x 2	J1  x 1	J2  M4 x 18 x 2
------------------------------------------------------------------------------------------------------	----------------------------------------------------------------------------------------------------------------------	------------------------------------------------------------------------------------------------------	---------------------------------------------------------------------------------------------------------	-----------------------------------------------------------------------------------------------------------------------



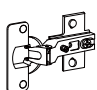
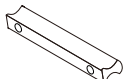



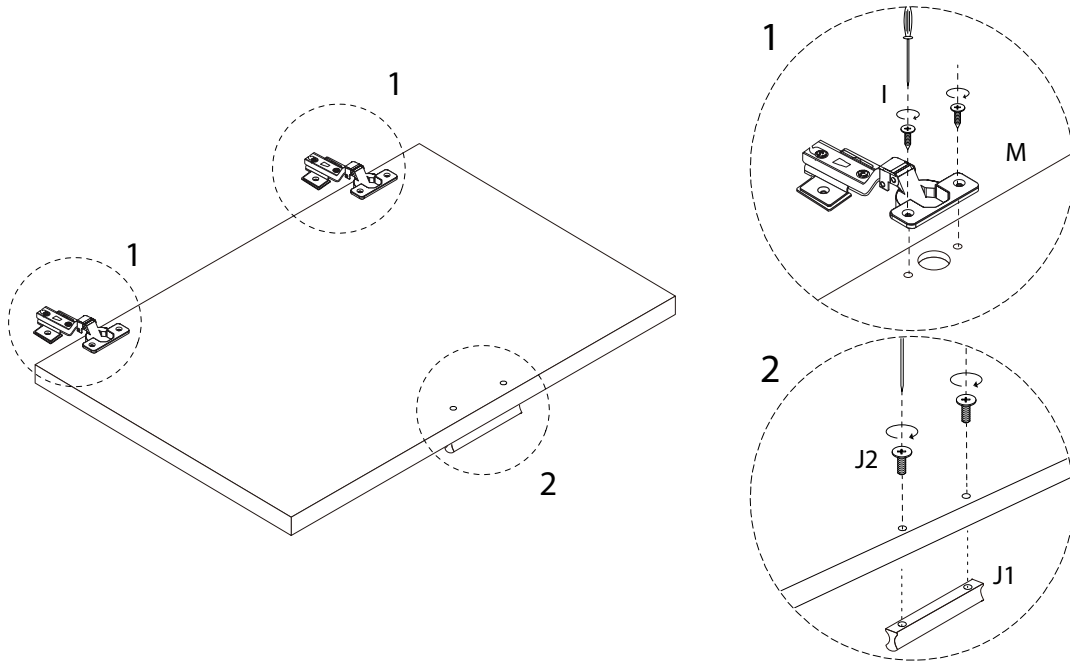
18

11  x 1	I  M3.5 x 14 x 4	H  x 2	J1  x 1	J2  M4 x 18 x 2
---------------------------------------------------------------------------------------------------------	------------------------------------------------------------------------------------------------------------------------	--------------------------------------------------------------------------------------------------------	-----------------------------------------------------------------------------------------------------------	-------------------------------------------------------------------------------------------------------------------------




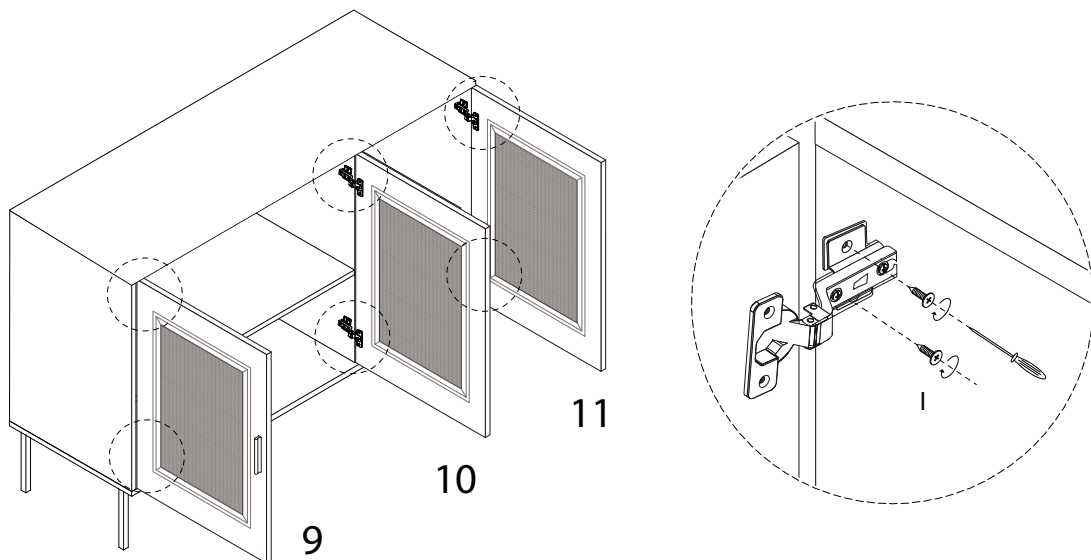
19

 10 x 1	 I M3.5 x 14 x 4	 M x 2	 J1 x 1	 J2 M4 x 18 x 2
------------------------------------------------------------------------------------------------	---------------------------------------------------------------------------------------------------------------	-----------------------------------------------------------------------------------------------	--------------------------------------------------------------------------------------------------	----------------------------------------------------------------------------------------------------------------



20

 I M3.5 x 14 x 12



21

N2



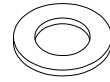
x 2

N4

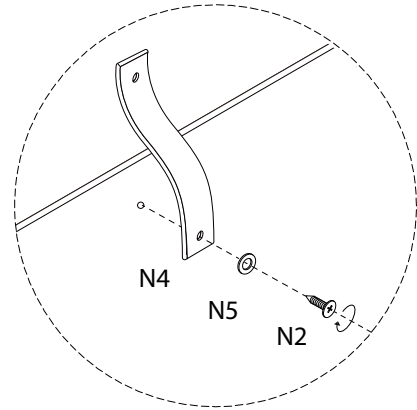
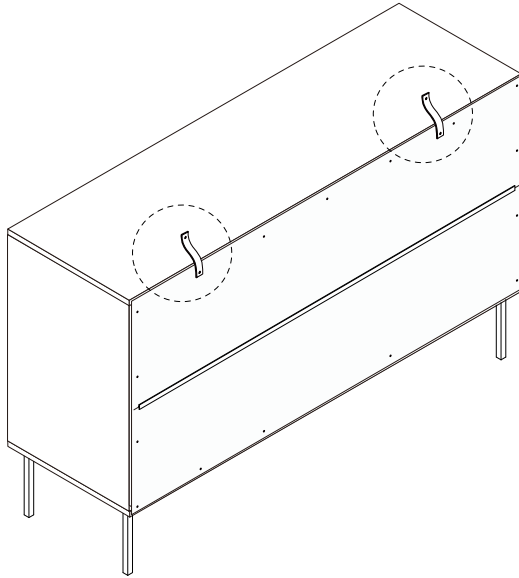


x 2

N5



x 2



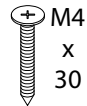
22

N1



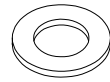
x 2

N3

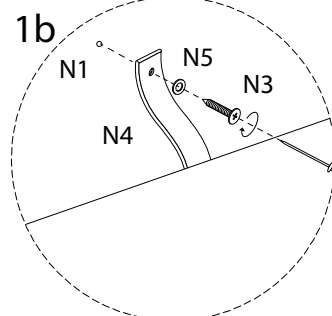
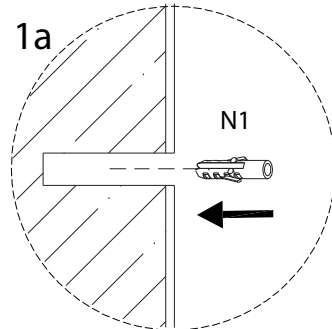
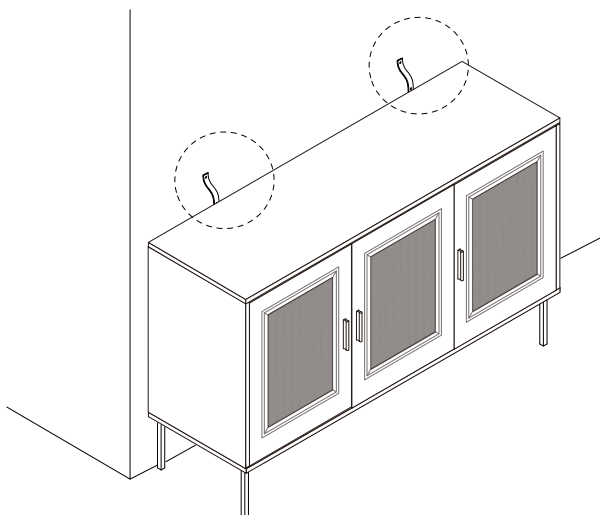


x 2

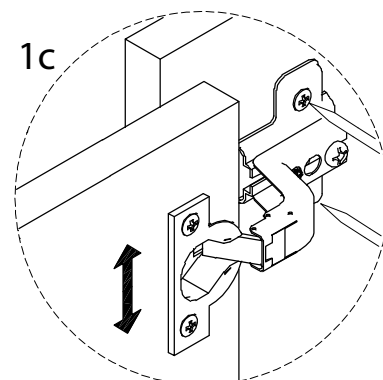
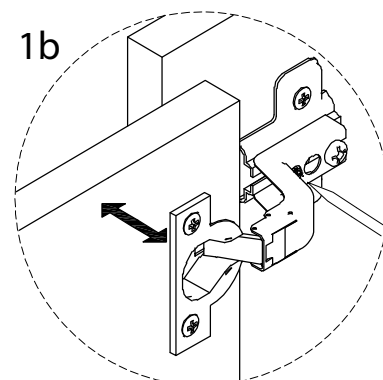
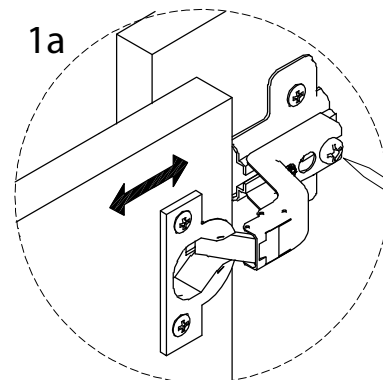
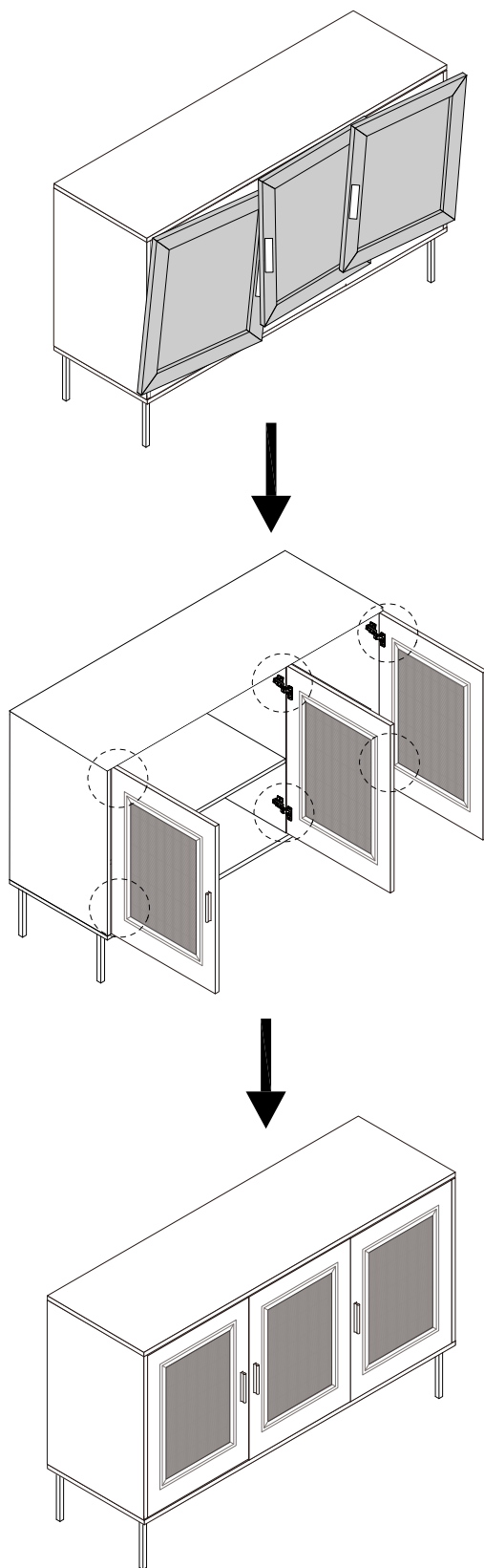
N5



x 2



23



!

