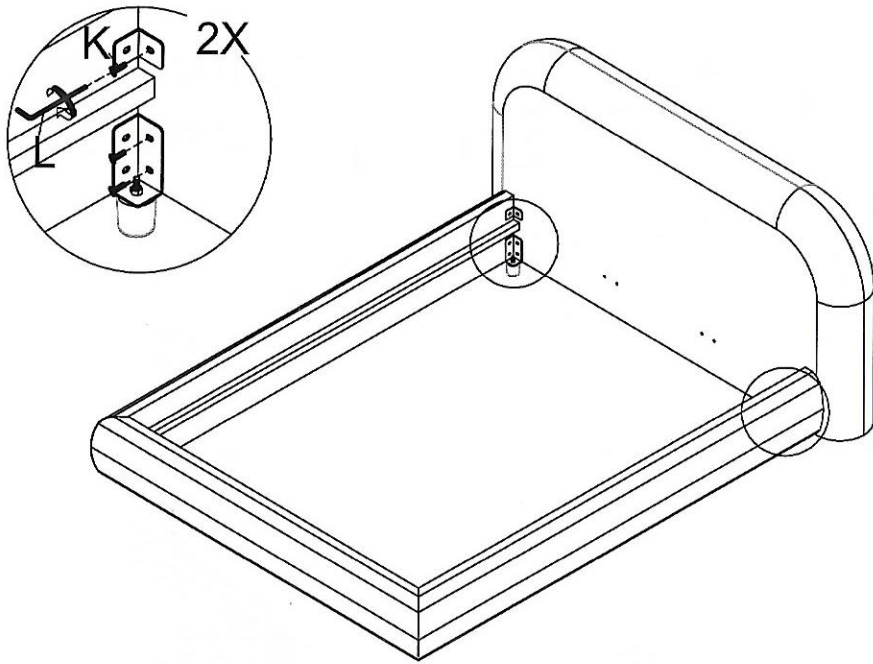
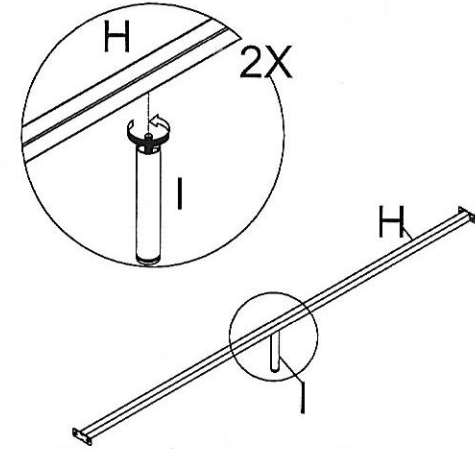


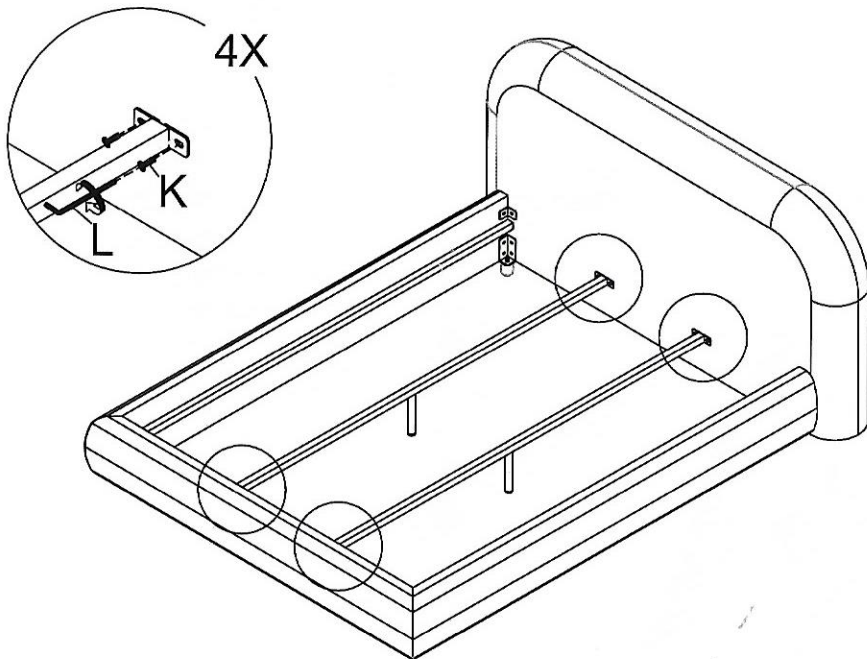
Step 5: Connect the headboard(A) and bed side(B)



Step 6: Put the middle leg(l) on center rail(H)



Step 7: Install the center rail(H) on bed



Step 8: Install the slat(E)

