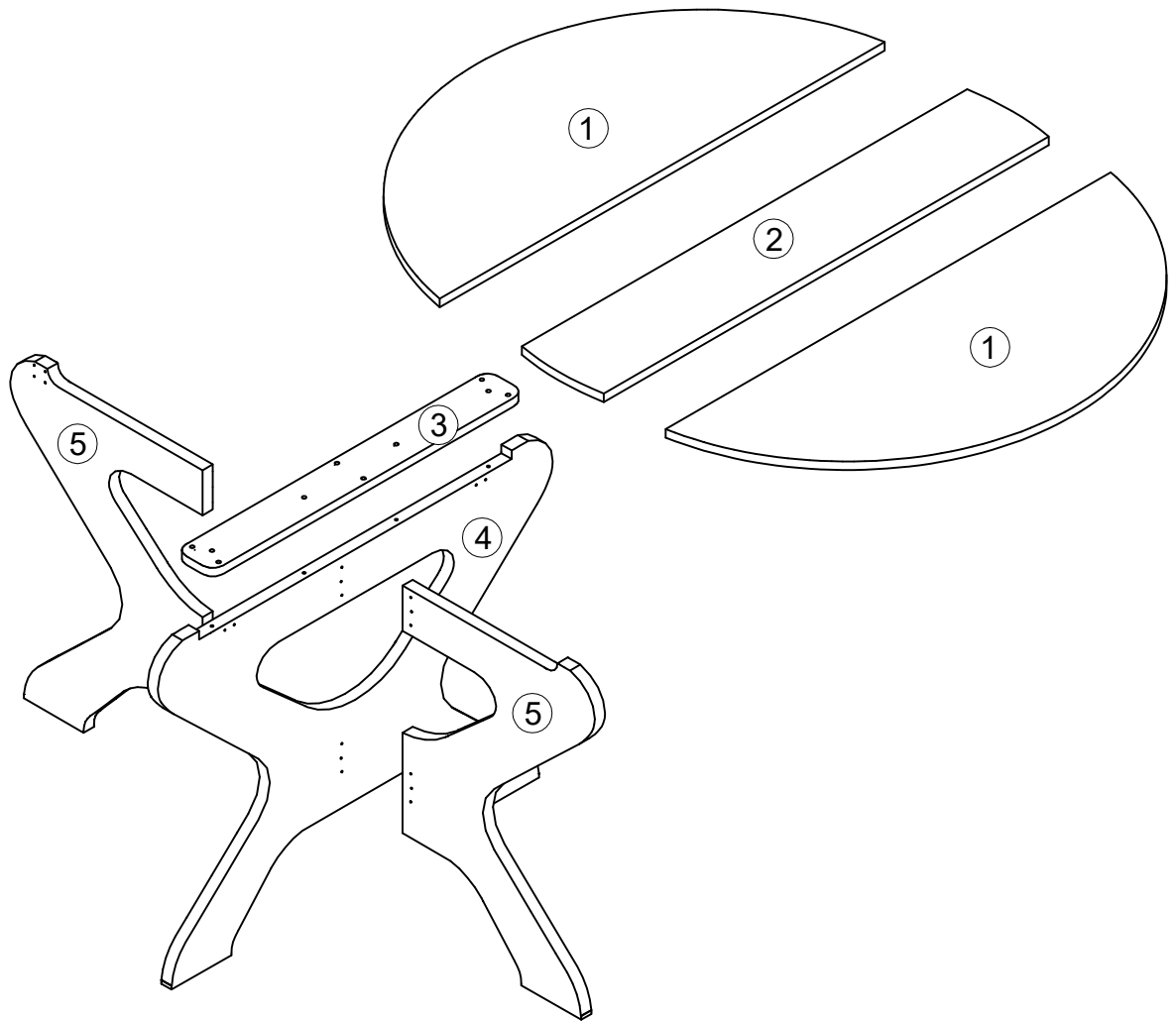



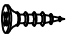







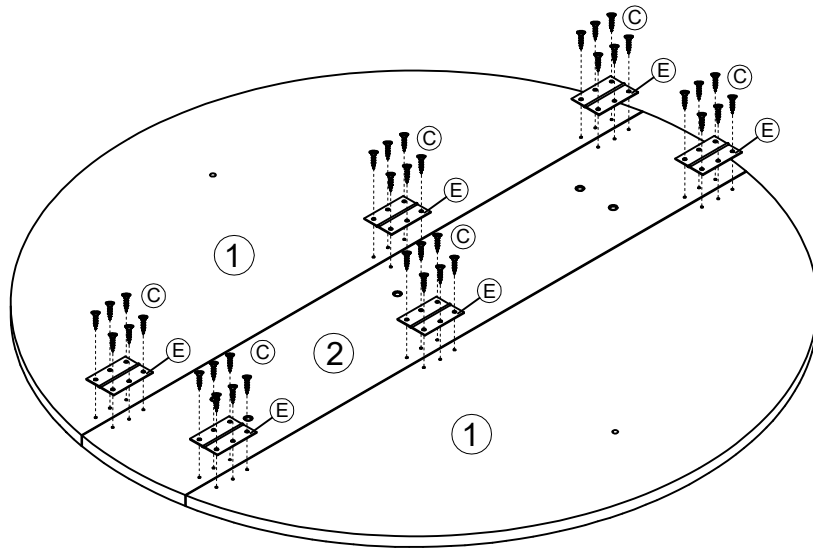
Instruction





(A)	X6	(B)	X4	(C)	X60	(D)	X24	(E)	X10	(F)	X4
											
M6*28mm		ST7*50mm		ST3.5*16mm		ST3.5*14mm					

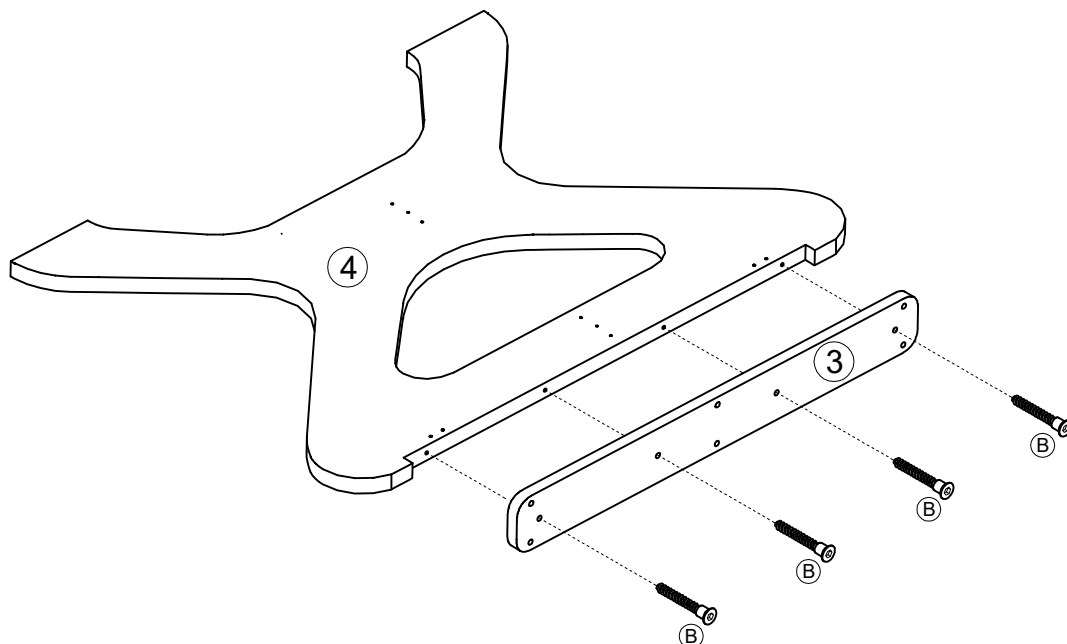
(G)	X2	(H)	X4	(I)	X1
					
				S4	


Step1



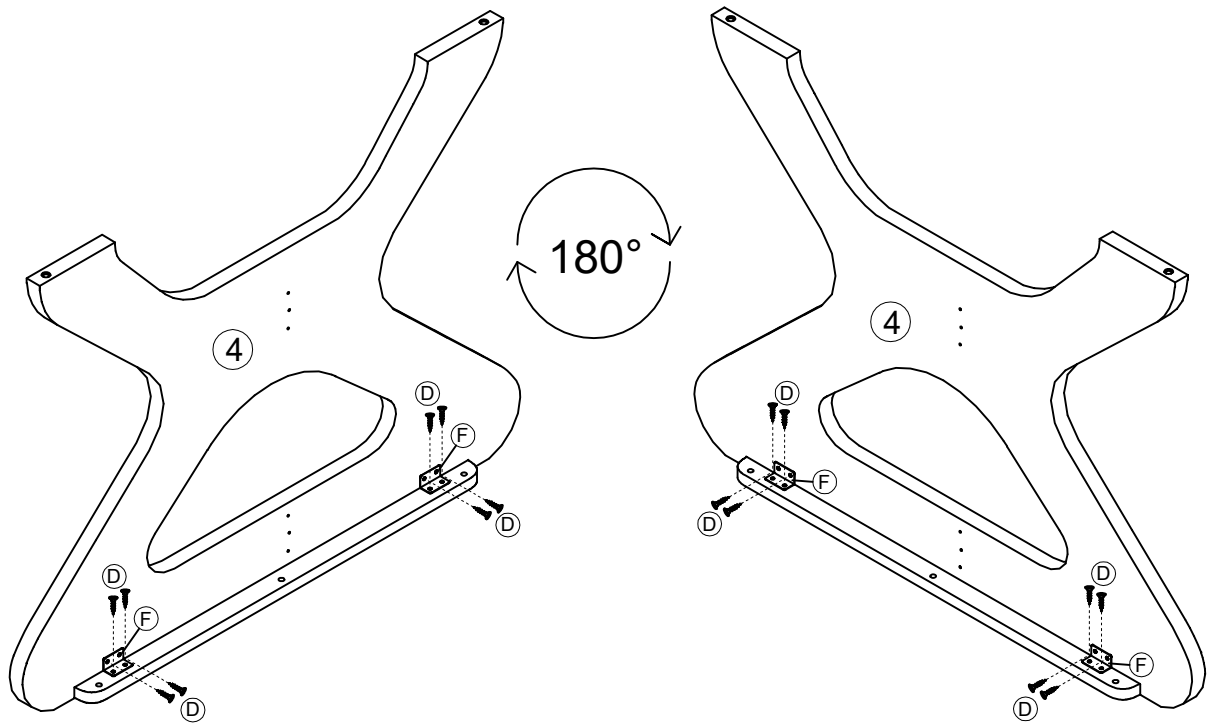
(E)	X6	(C)	X36
			
		ST3.5*16mm	



Step2



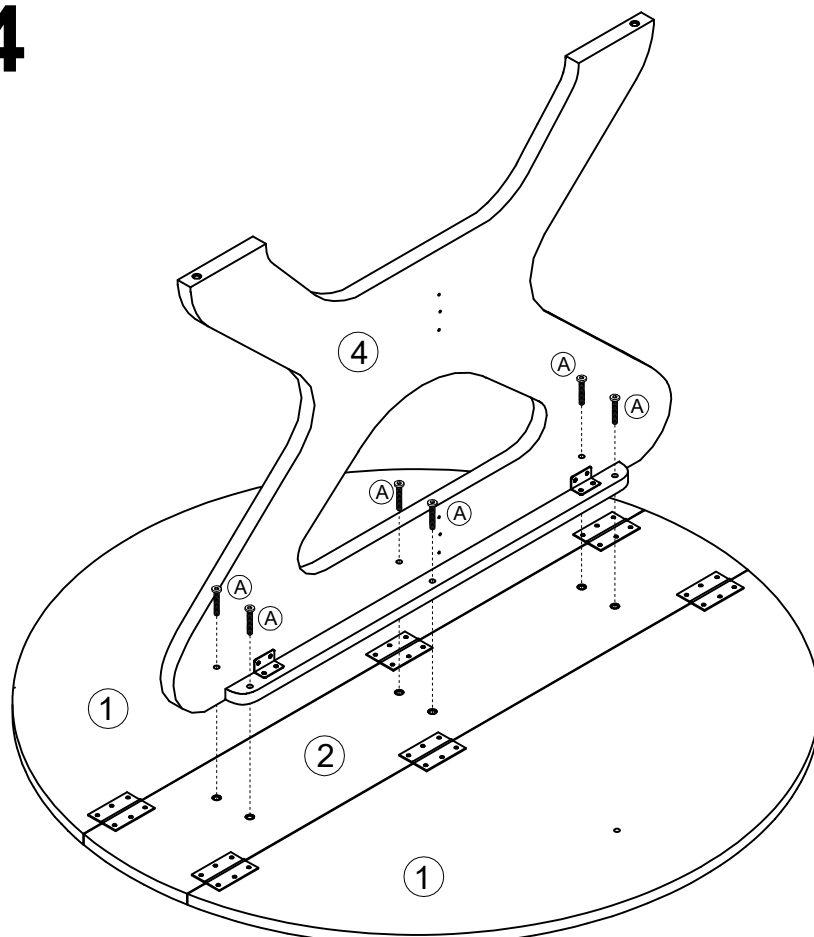
(B)	X4
	
ST7*50mm	


Step3



(F)	X4	(D)	X16
			
		ST3.5*14mm	

Step4

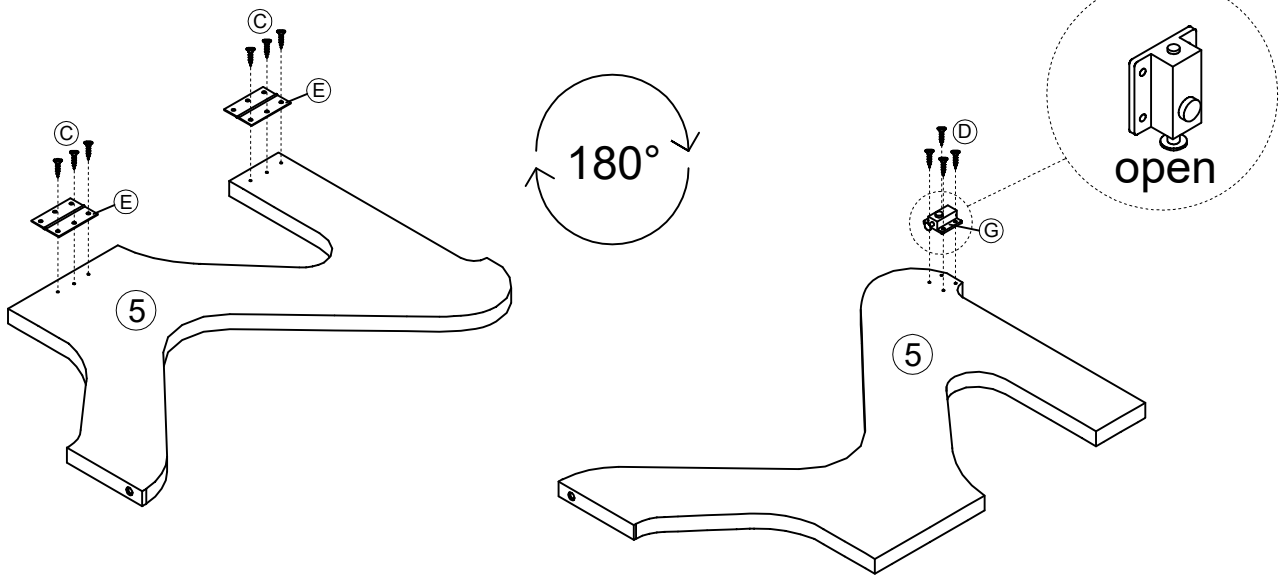


(A)	X6
	
M6*28mm	

Step5

X2

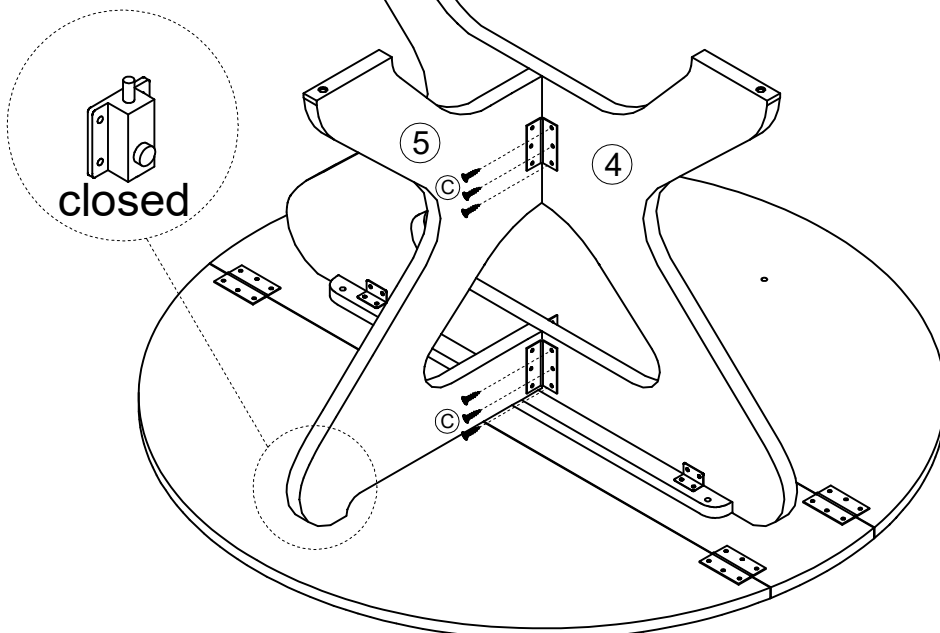
Note: F open status



(G)	X2	(E)	X4	(D)	X8	(C)	X12
				ST3.5*14mm		ST3.5*16mm	

Step6

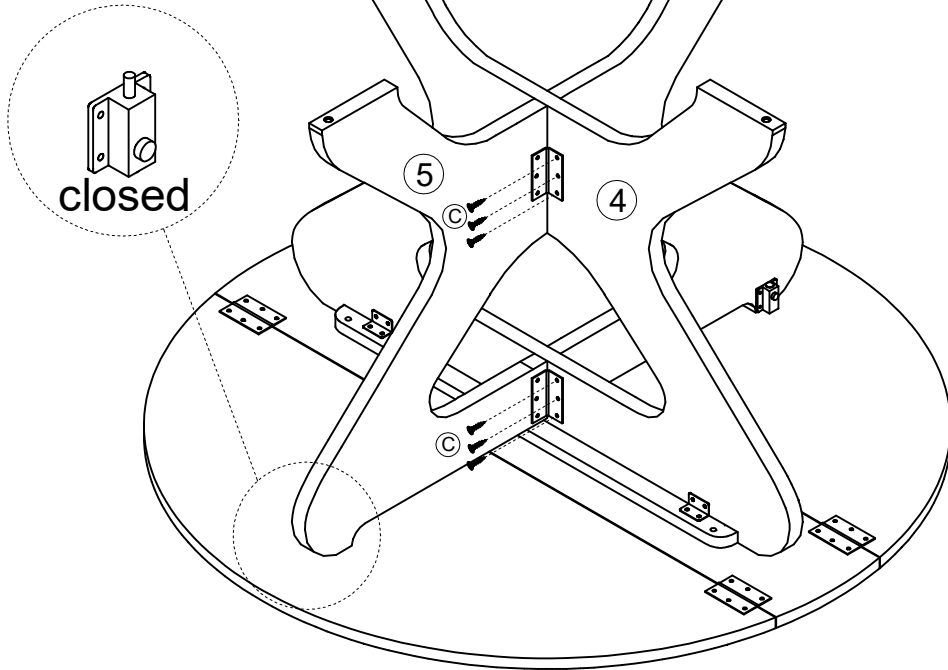
Note: F closed state




(C)	X6
ST3.5*16mm	

Step7

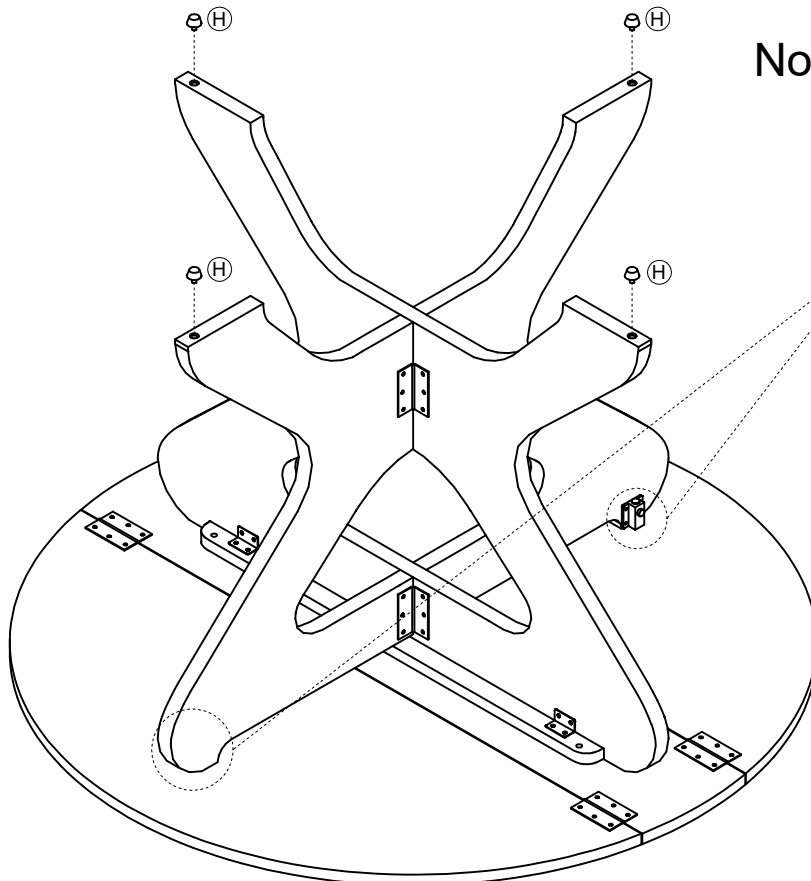
Note: F closed state




Ⓒ	X6
	
ST3.5*16mm	

Step8

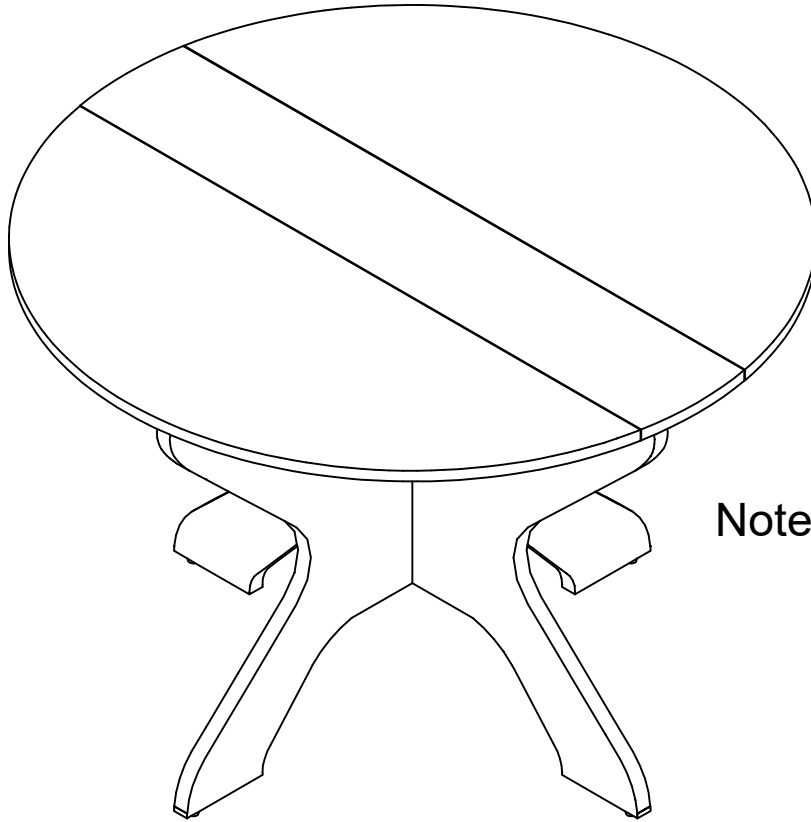
Note: F closed state



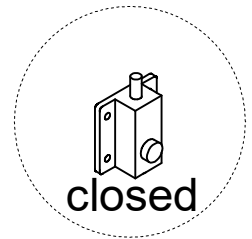
Ⓗ	X4
	

Step9

Option 1



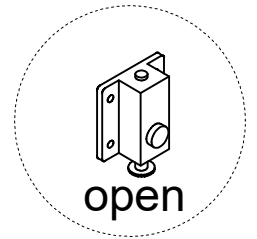
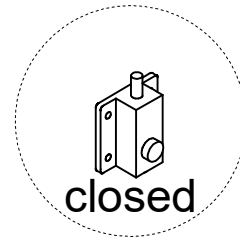
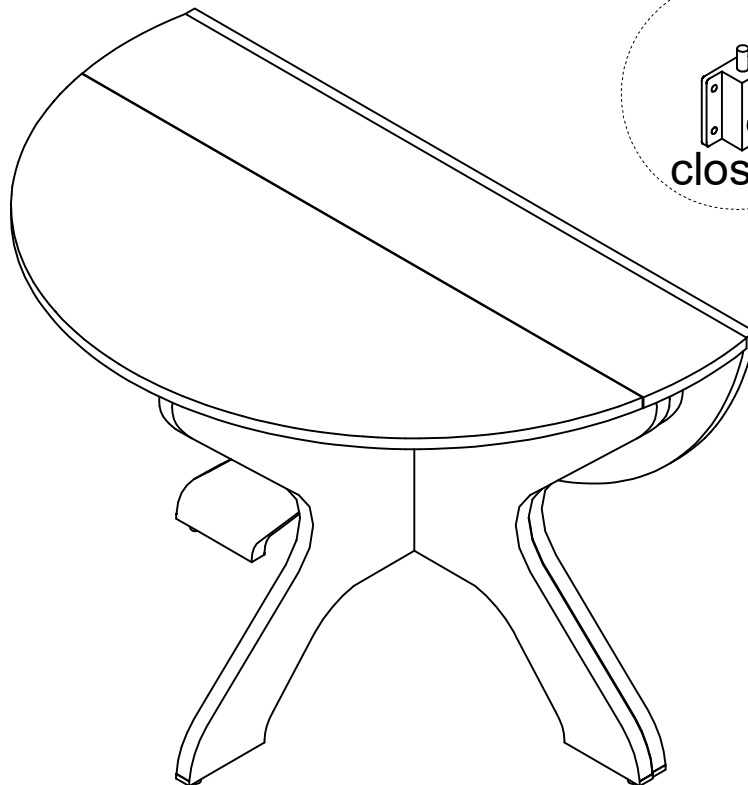
Note: F closed state



Step10

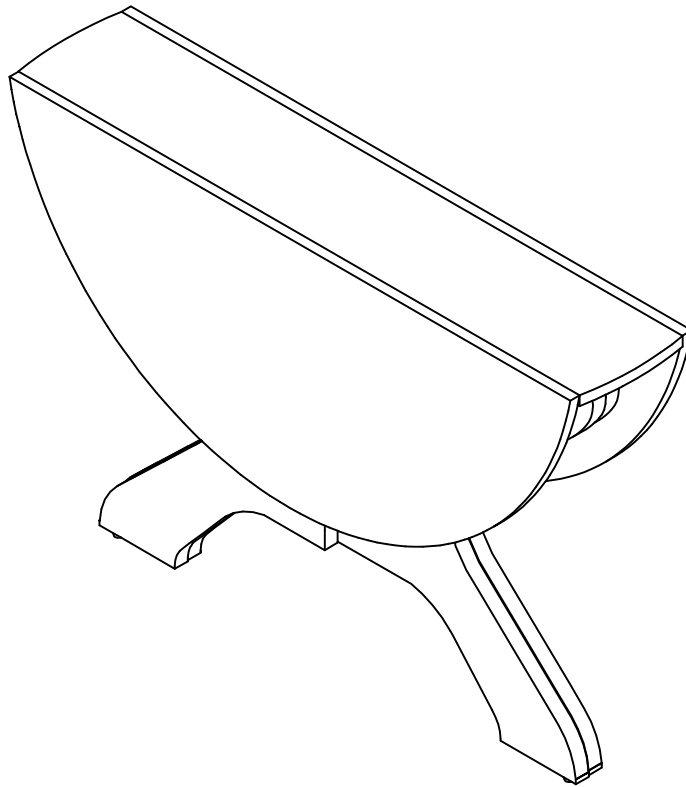
Note: F has one closed state and one open state

Option 2



Step11

Option 3



Note: F open status

