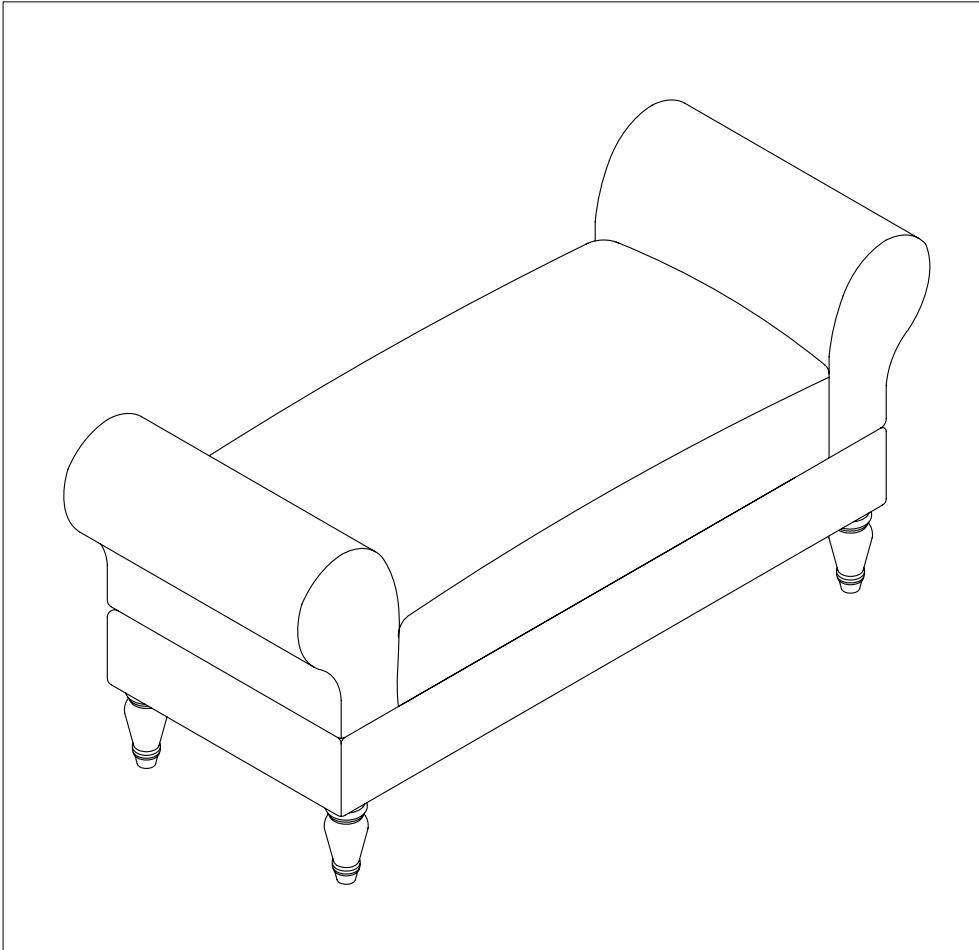
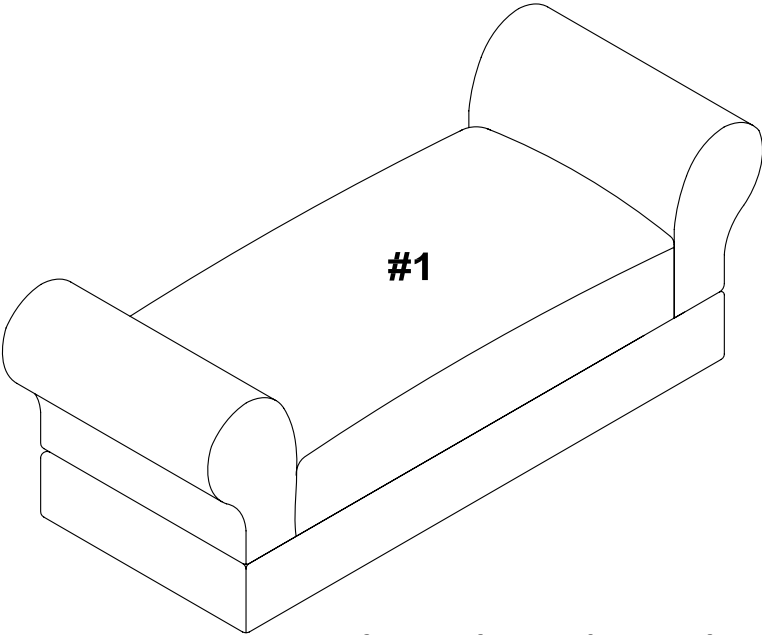


ASSEMBLY INSTRUCTIONS

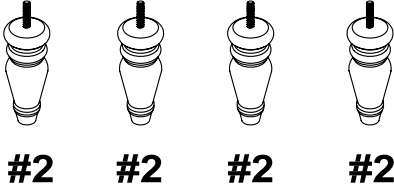


PARTS IDENTIFICATION

DESCRIPTION	QTY
SEAT	01
LEG	04



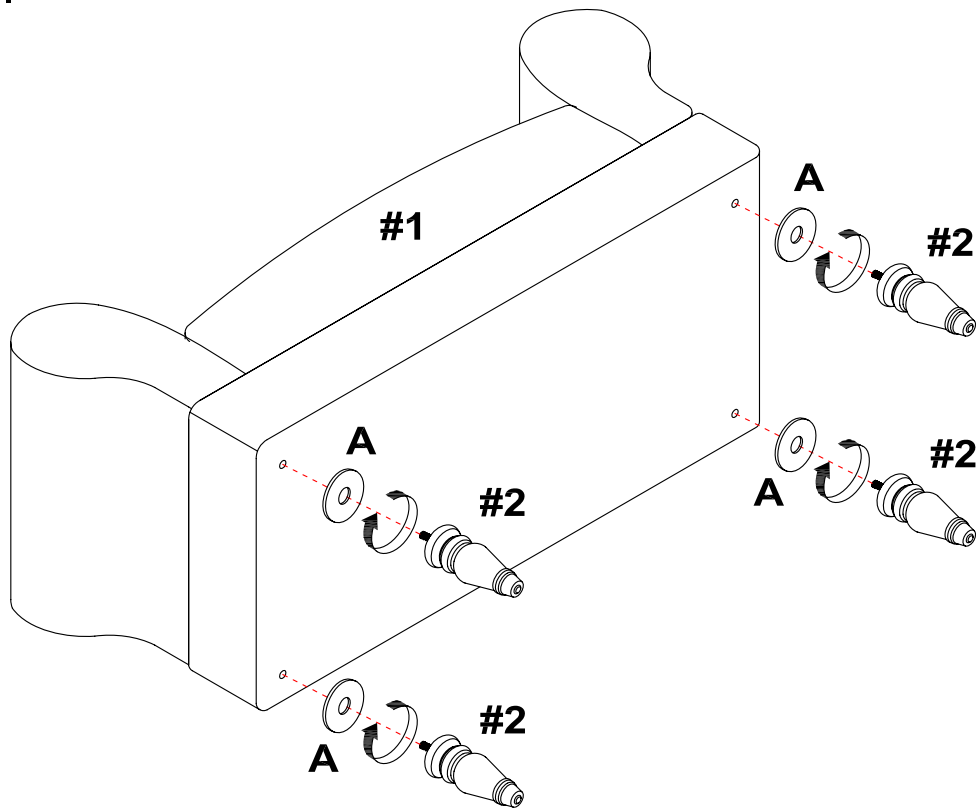
For ease of identification all parts are labeled to correspond to the Step number in which the part is used.



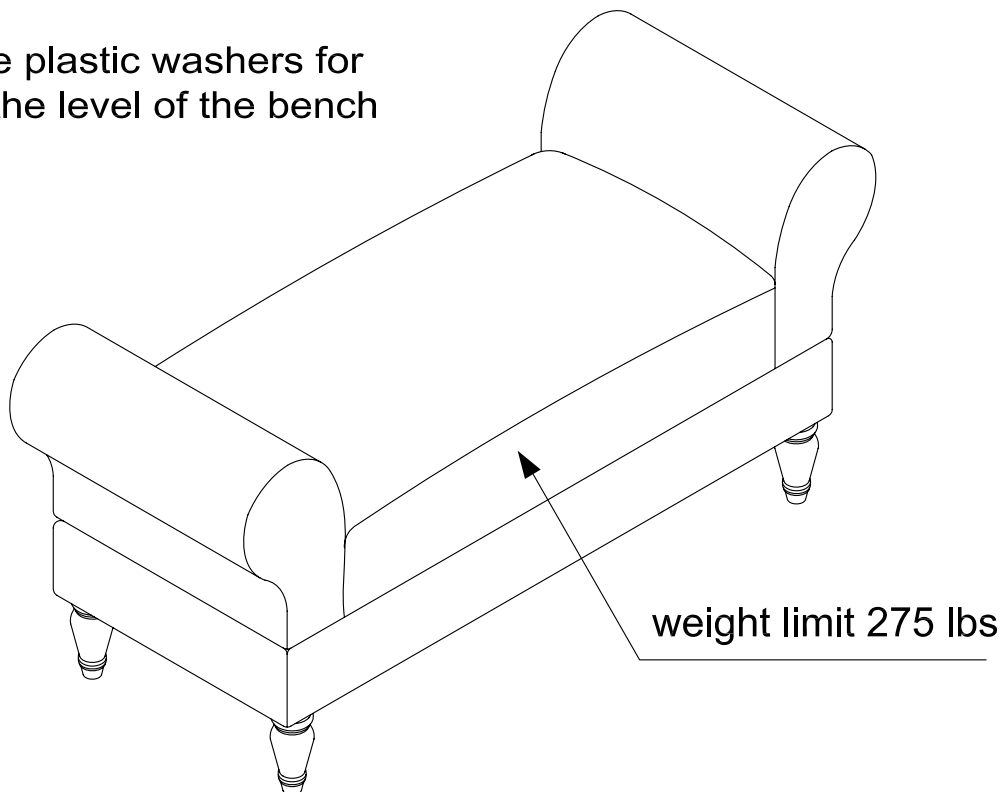
HARDWARE IDENTIFICATION

ITEM	PICTURE	DESCRIPTION	QTY
A	 Not to Scale	PLASTIC WASHER	07

STEP 1.



Extra three plastic washers for
adjusting the level of the bench

**IMPORTANT:**

1. DO NOT TIGHTEN BOLTS COMPLETELY UNTIL ALL BOLTS ARE COMPLETELY LINED UP AND INSERTED INTO HOLES / NUTS.
2. DO NOT OVER TIGHTEN SCREWS AND BOLTS TO AVOID STRIPPING.