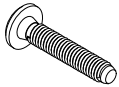




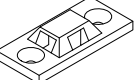





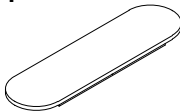
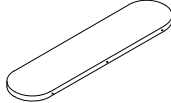
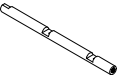
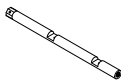
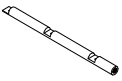
ASSEMBLY INSTRUCTIONS


3600012

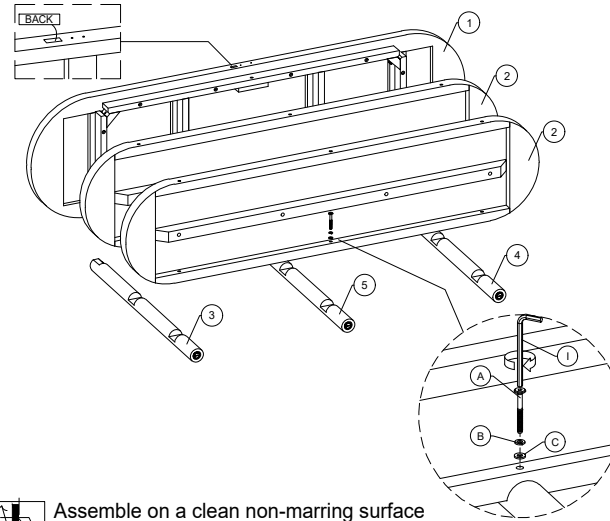
HARDWARE


A x 18  M6 X 50 mm	B x 18  Ø11 X 1.5 mm	C x 18  Ø12.5 X 1 mm	D x 2  38 mm	E x 2  19 mm
F x 2  20 X 47 mm	G x 2 	H x 1 	I x 1 	

PARTS

[1] x 1 	[2] x 2 	
[3] x 2 	[4] x 2 	[5] x 2 

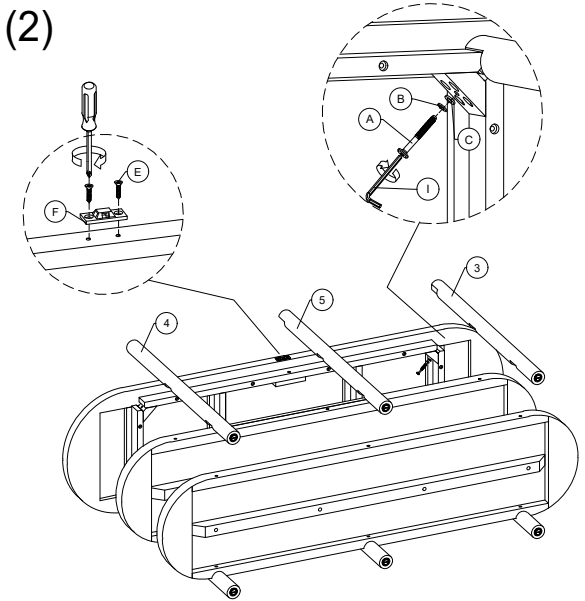
(1)  CAUTION : Due to the weight of this item, two people are recommended for safe lifting and assembly.



 Assemble on a clean non-marring surface (such as the product's packing foam)

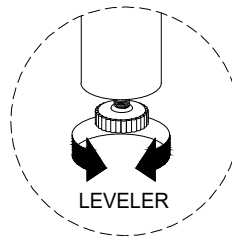
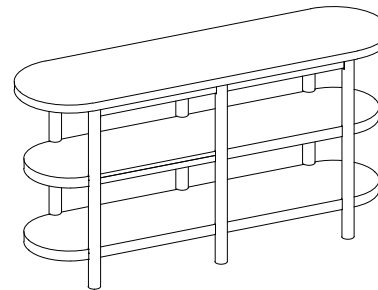
- Place the Legs (3),(4),(5) onto the floor. Attach Top (1) to the Legs using Bolts (A), Lock Washer (B), and Flat Washer (C). Secure each leg with the Allen Key (I).
- Repeat this step for the remaining 2 Shelves (2).

(2)



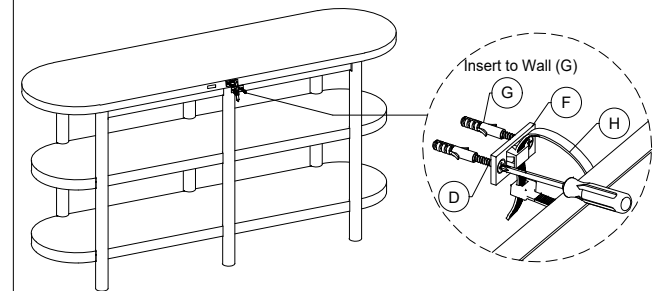
- Position the Legs (3),(4),(5) as shown in the drawing. Attach the legs using Bolts (A), Lock Washer (B), and Flat Washer (C). Secure each leg with the Allen Key (I).
- Install the Anti-tip Bracket (F) on the Top (1) using the Short Screws (E) in the pre-drilled holes provided.

(3)



- Stand the Console upright, then adjust the levelers located at the bottom of each Legs. Turn them outward, counterclockwise, to help compensate for uneven surfaces.

(4)



 WARNING

ALWAYS secure this furniture to the wall using anti-tip device

- Final step: Make sure to complete this step. Attach the Anti-Tip Bracket (F) to the wall (where the wall plug (G) has been installed) using the Long Screws (D) and tighten them with a screwdriver.
- Secure the Anti-tip Bracket (F) with the Anti-tip Strap (H).