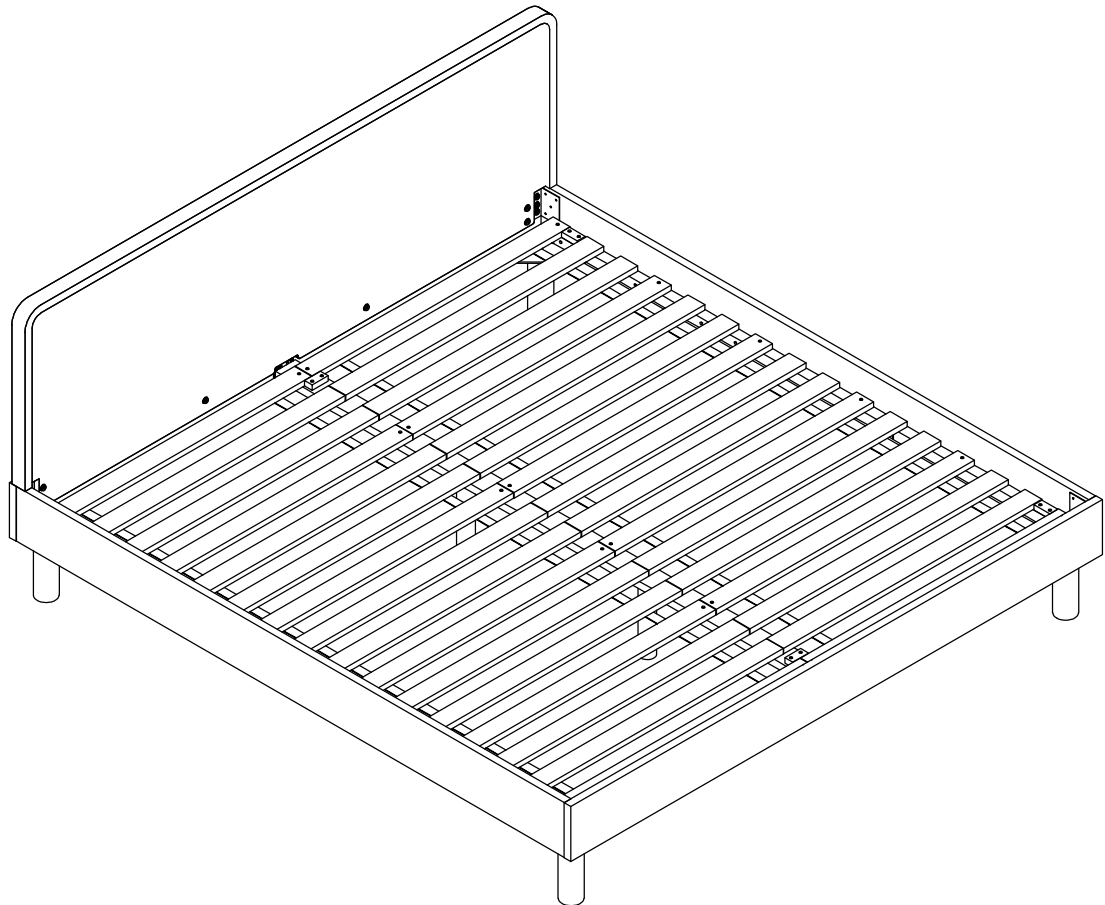


Assembly Instructions

WOODEN BED WITH HEADBOARD

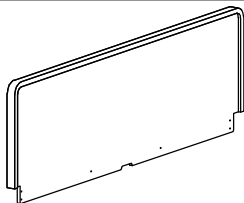

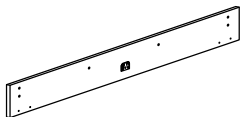

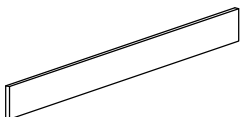

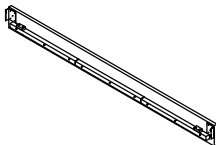












WOODEN BED WITH HEADBOARD

ASSEMBLY INSTRUCTIONS

Please kindly read these instructions carefully and keep for future reference. Refer to parts inventory for guidance, and ensure you have all pieces before starting. When assembling, place all parts on a soft, clean, and flat surface such as a carpet to prevent scratches. If you're having difficulty, our friendly Customer Care team is always here to help.



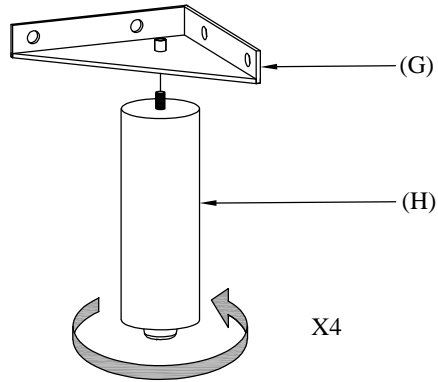
PART LIST			PART LIST		
ID	DESCRIPTION	QTY	ID	DESCRIPTION	QTY
(A)	 Headboard top	1 pc	(E)	 Center Support Rail	1 pc
(B)	 Headboard bottom	1 pc	(F)	 Slat	24 pcs
(C)	 Footboard	1 pc	(G)	 Bracket Triangle Corner	4 pcs
(D)	 Side Rail	2 pcs	(H)	 Leg	4 pcs
			(I)	 Center Leg	2 pcs

HARDWARE LIST			HARDWARE LIST		
	Bolt M8x40	6 pcs		Bolt M6x20	28 pcs
	Spring Washer Ø8.5xØ12	6 pcs		Spring Washer Ø6.5xØ10	28 pcs
	Flat Washer Ø8.5xØ19	6 pcs		Flat Washer Ø6.5xØ16	28 pcs
	Allen Key	1 pc		Screw M4x30	24 pcs

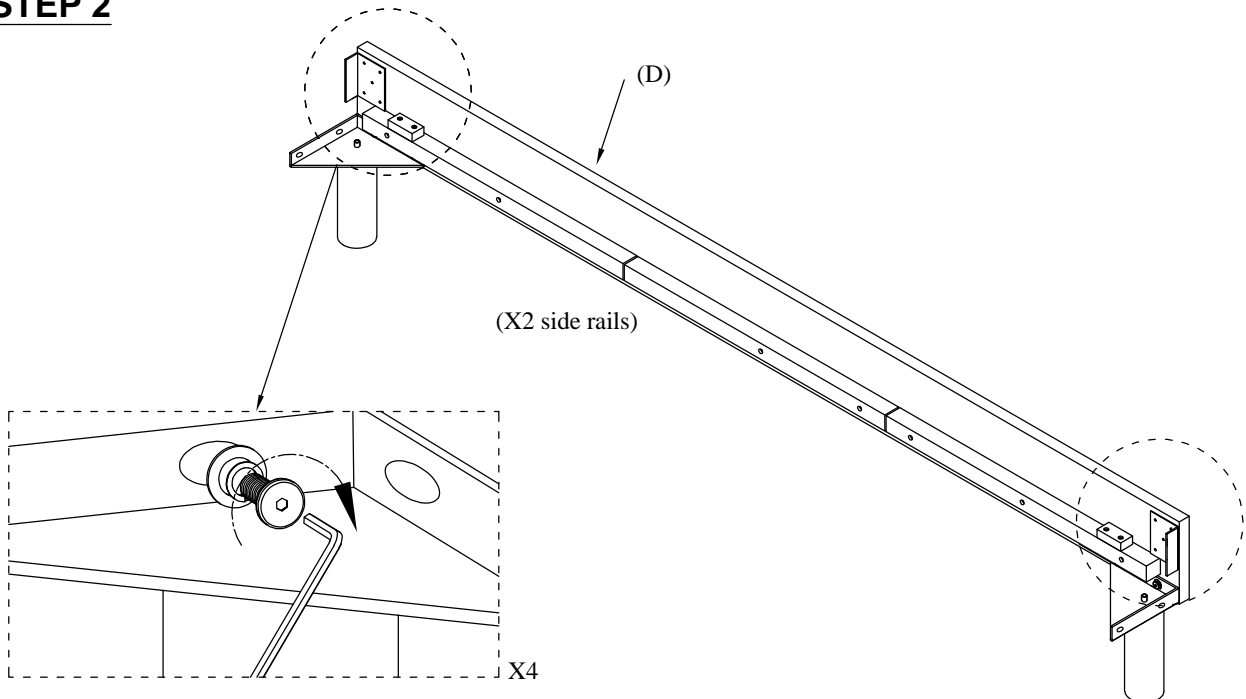
Note: Make sure you have all the parts and hardware with quantity listed above before assembling the product. A screwdriver is also required (not included)

WOODEN BED WITH HEADBOARD

STEP 1



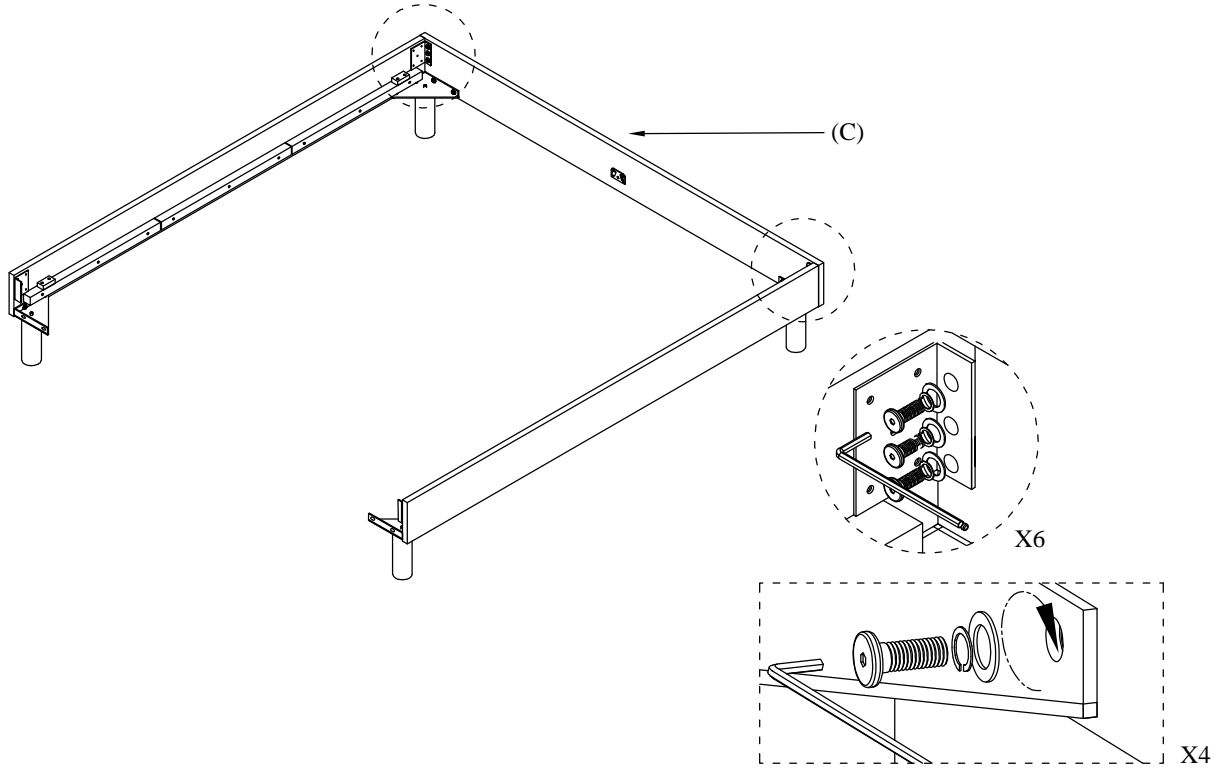
STEP 2



Note: DO NOT TIGHTEN ANY BOLT UNTIL ALL THE BOLTS ARE INSERTED PROPERLY

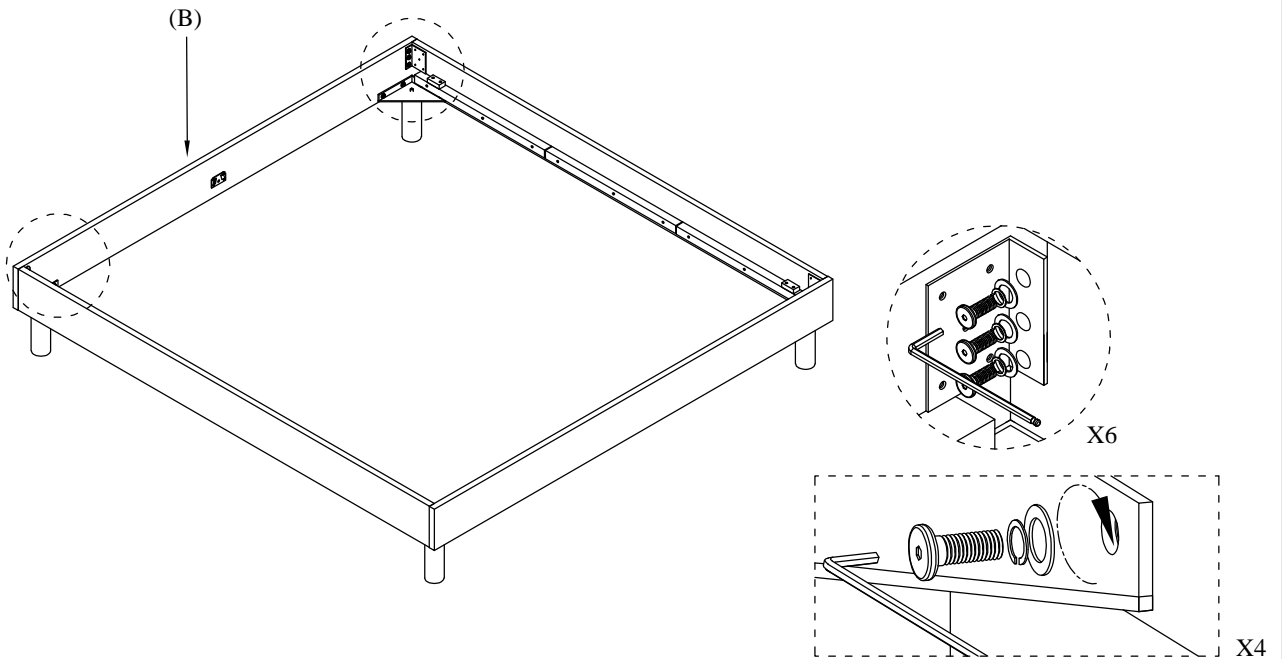
WOODEN BED WITH HEADBOARD

STEP 3



Note: DO NOT TIGHTEN ANY BOLT UNTIL ALL THE BOLTS ARE INSERTED PROPERLY

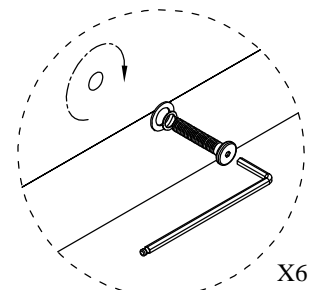
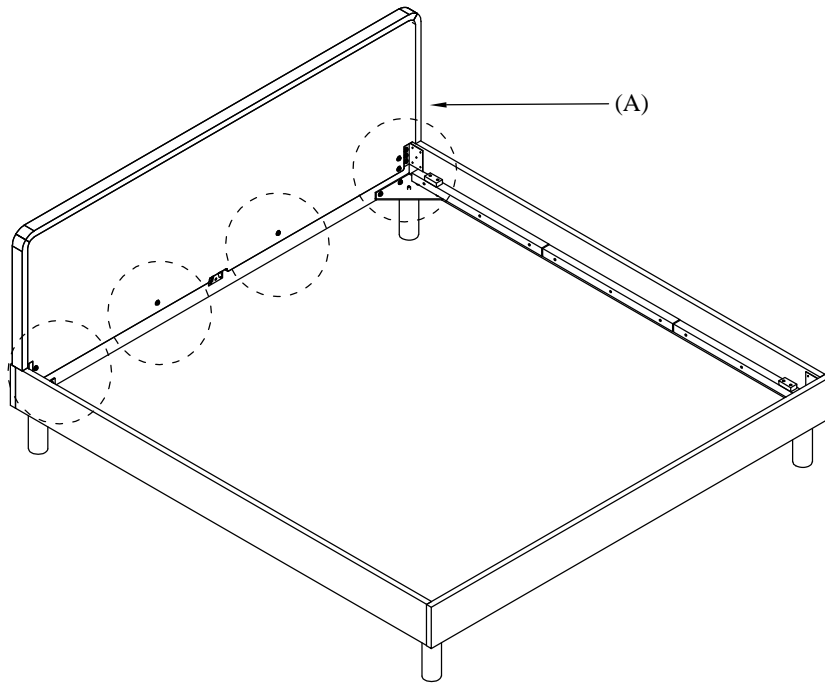
STEP 4



Note: DO NOT TIGHTEN ANY BOLT UNTIL ALL THE BOLTS ARE INSERTED PROPERLY

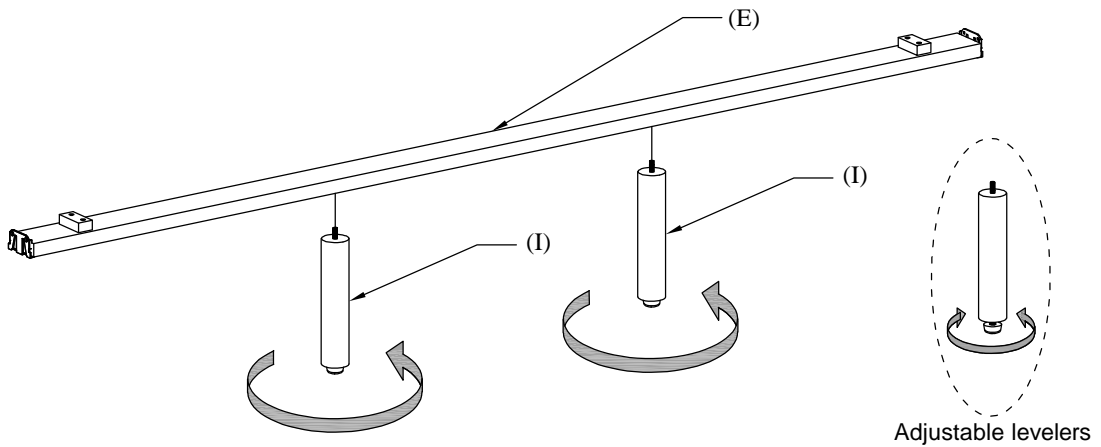
WOODEN BED WITH HEADBOARD

STEP 5



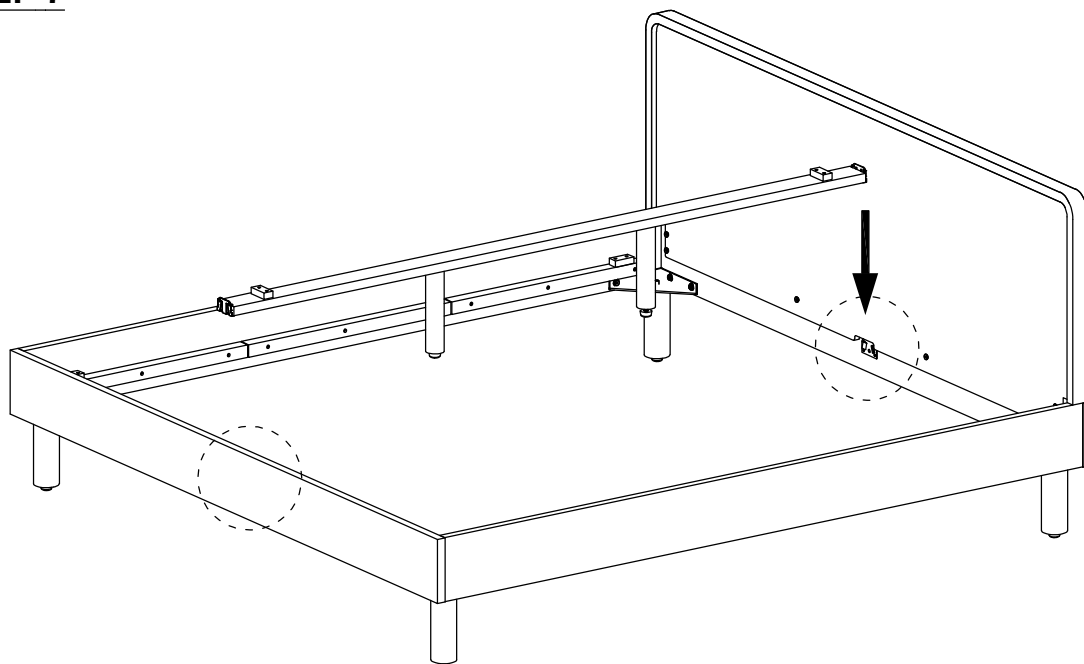
Note: DO NOT TIGHTEN ANY BOLT UNTIL ALL THE BOLTS ARE INSERTED PROPERLY

STEP 6

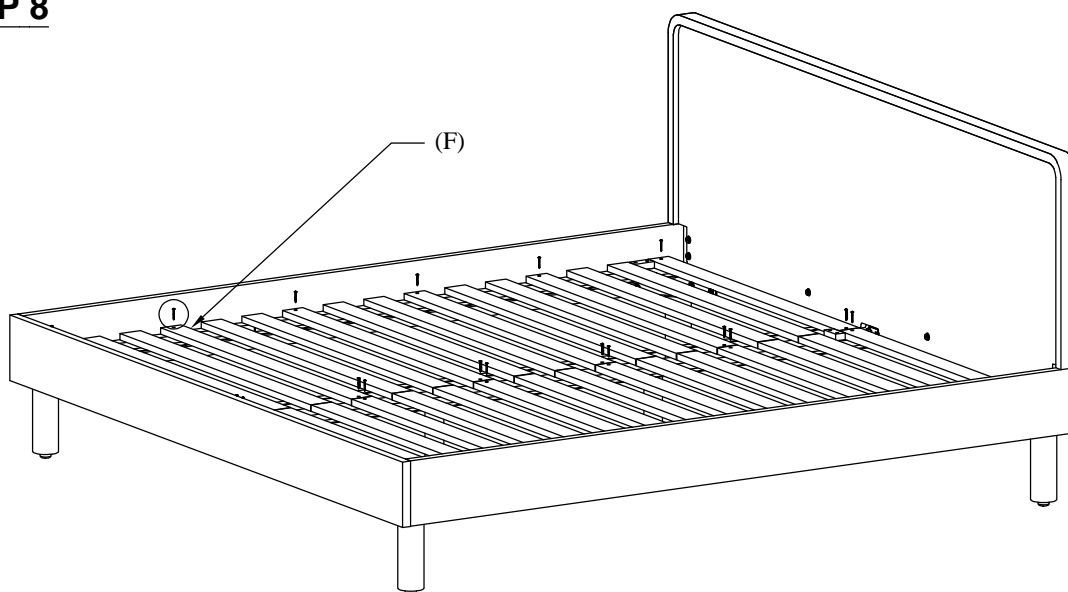


WOODEN BED WITH HEADBOARD

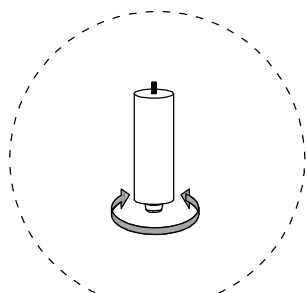
STEP 7



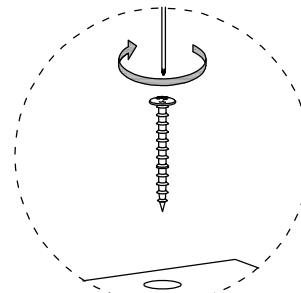
STEP 8



Screwdriver not included



Adjustable levelers



X24

WOODEN BED WITH HEADBOARD

STEP 9

