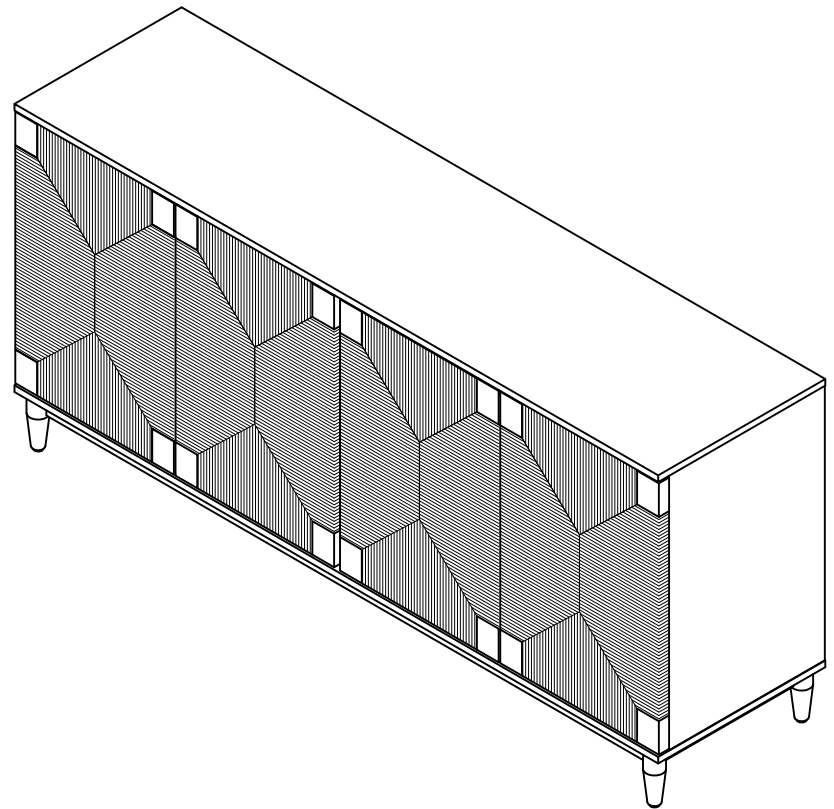


ROSEANNE BANANA STEM SIDEBOARD

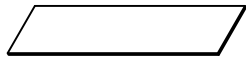
Assembly Instructions



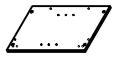
Every thing we make is incredibly simple to set up, including your new sideboard. You won't need any additional tools.

Parts List

A x 1
TOP PANEL



B x 2
SIDE PANEL



C x 1
DIVIDER



D x 2
SHELF



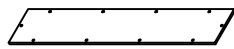
E x 1
RAIL TOP



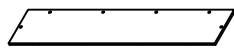
F x 1
BOTTOM ASSEMBLY



G x 1
UPPER BACK PANEL



H x 1
LOWER BACK PANEL



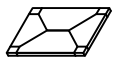
I x 4
LEG



J x 1
CENTER LEG



K x 4
DOOR



Hardware List

HW1 x 8
BOLT 6x1x30 mm



HW2 x 8
SPRING WASHER



HW3 x 32
ROUND HEAD SCREW 3x1x13 mm



HW4 x 16
FLAT HEAD SCREW 3x1x13 mm



HW5 x 32
CAMBOLT



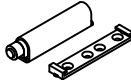
HW6 x 32
CAMLOCK



HW7 x 8
HINGE



HW8 x 4
PUSH LATCH



HW9 x 8
SHELF SUPPORT PIN



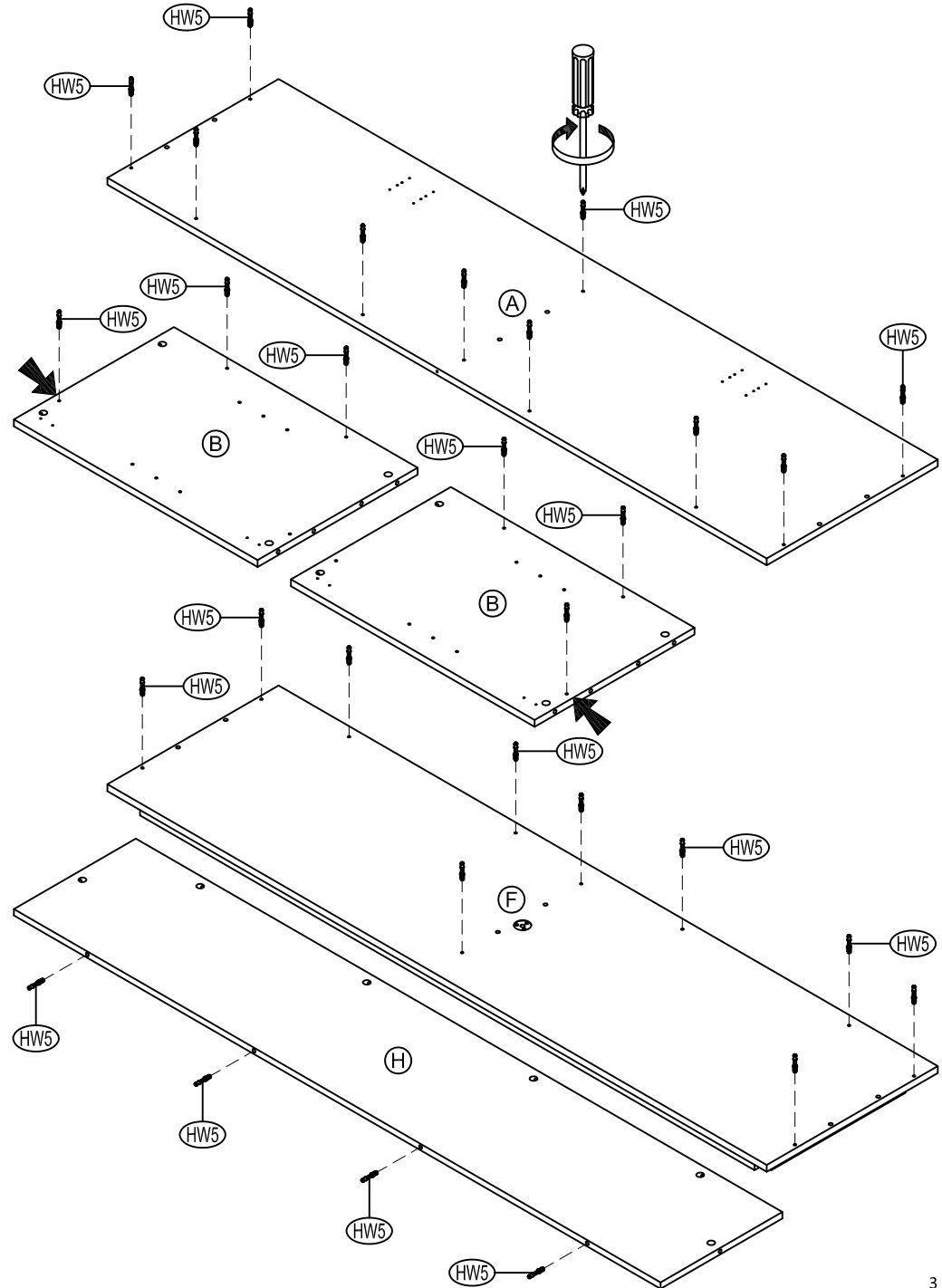
HW10 x 12
DOWEL



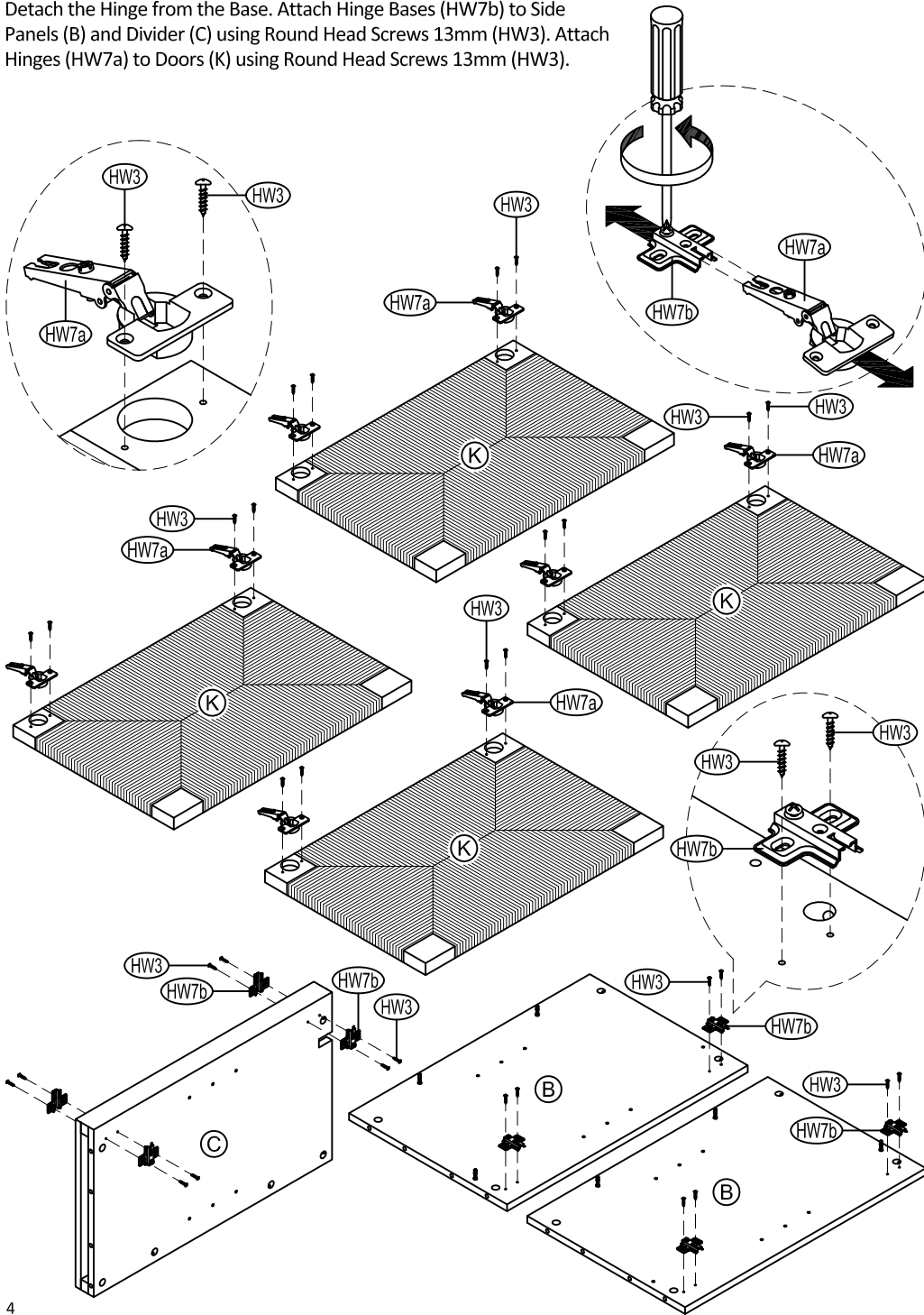
HW11 x 1
ALLEN KEY



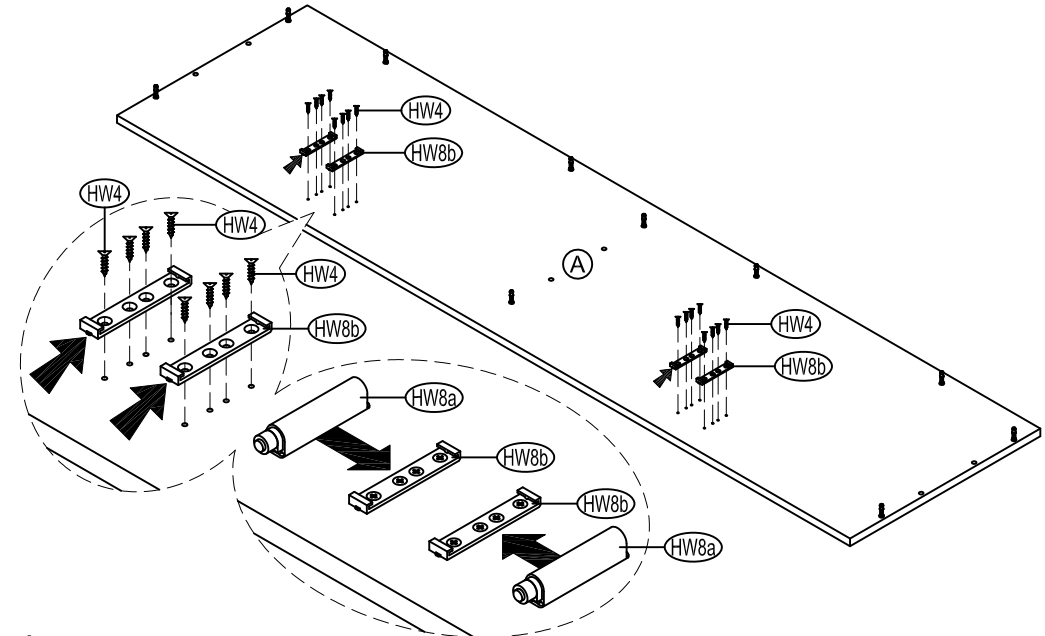
1
Attach Cambolts (HW5) to Top Panel (A), Side Panels (B), Bottom Assembly (F) and Lower Back Panel (H).



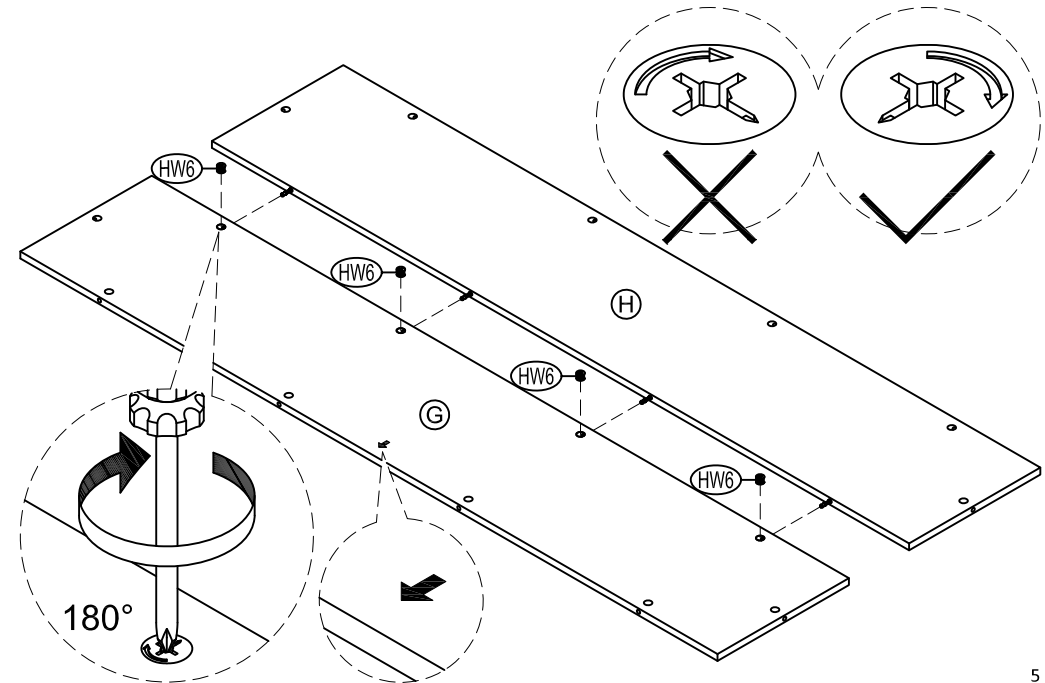
2
 Detach the Hinge from the Base. Attach Hinge Bases (HW7b) to Side Panels (B) and Divider (C) using Round Head Screws 13mm (HW3). Attach Hinges (HW7a) to Doors (K) using Round Head Screws 13mm (HW3).



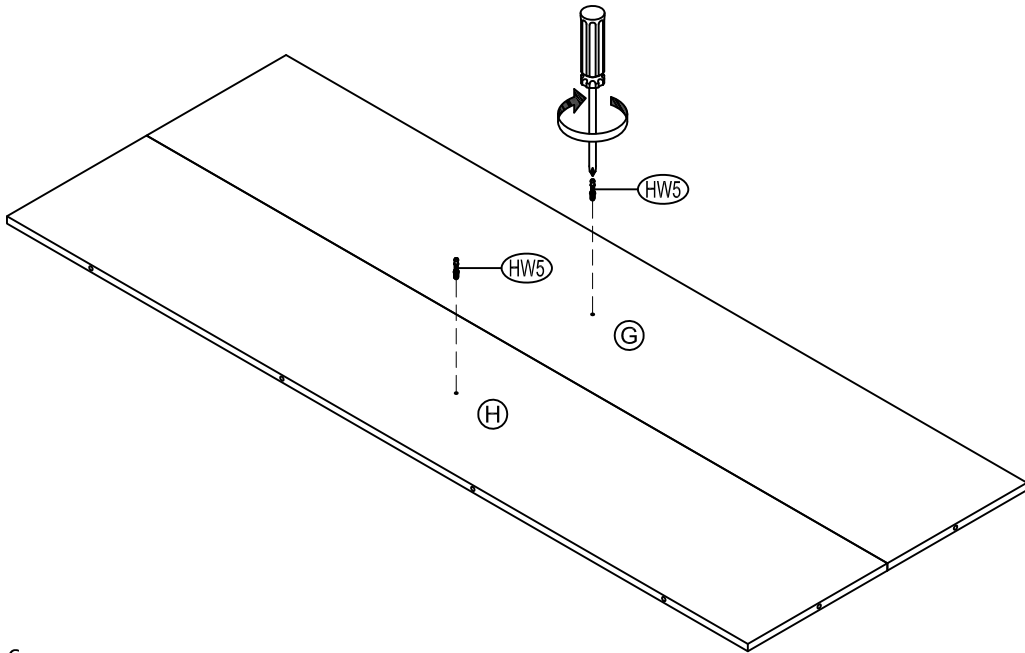
3
 Attach Push Latch Bases (HW8b) to Top Panel (A) using Flat Head Screws 13mm (HW4). Attach Push Latches (HW8a) to Push Latch Bases (HW8b).



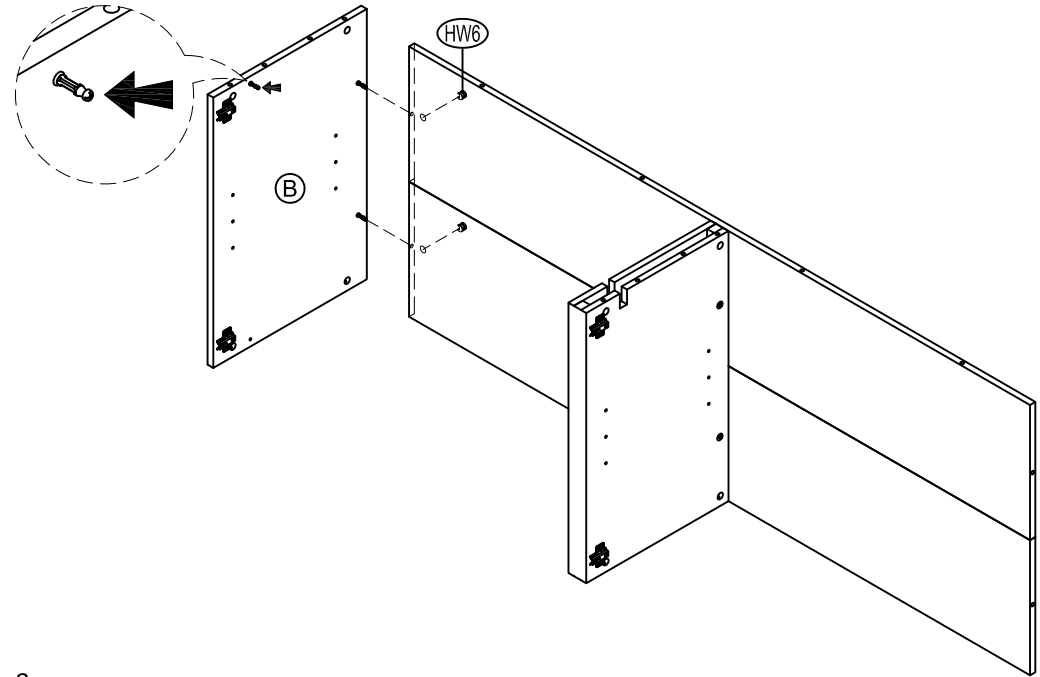
4
 Attach Lower Back Panel (H) to Upper Back Panel (G) using Camlocks (HW6).



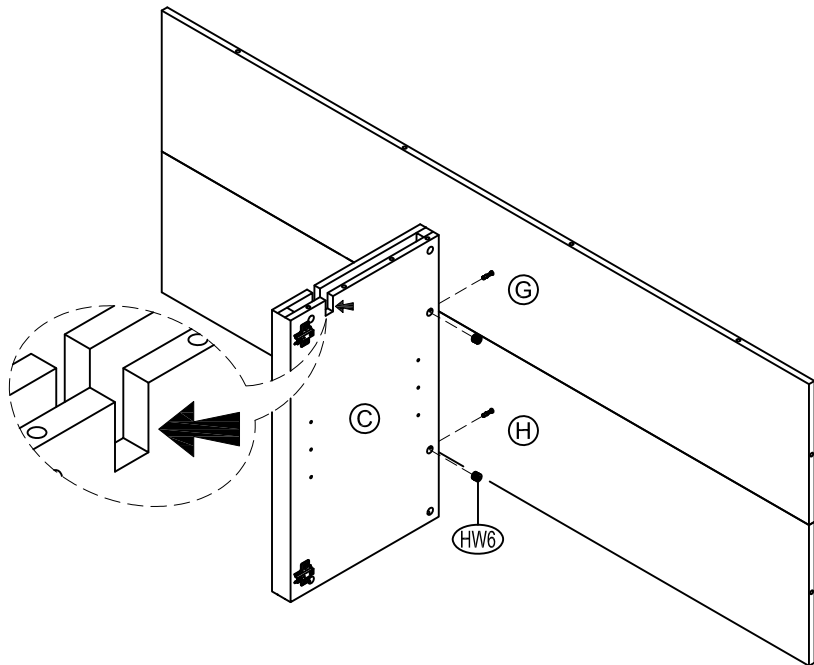
5
Attach Cambolts (HW5) to Upper and Lower Back Panels (G) and (H).



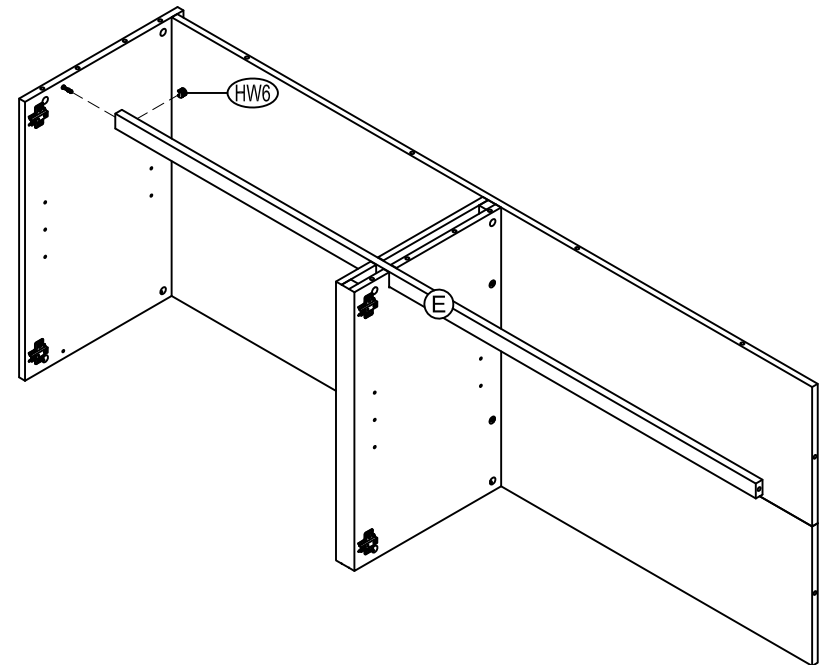
7
Attach Side Panel (B) to unit using Camlocks (HW6).



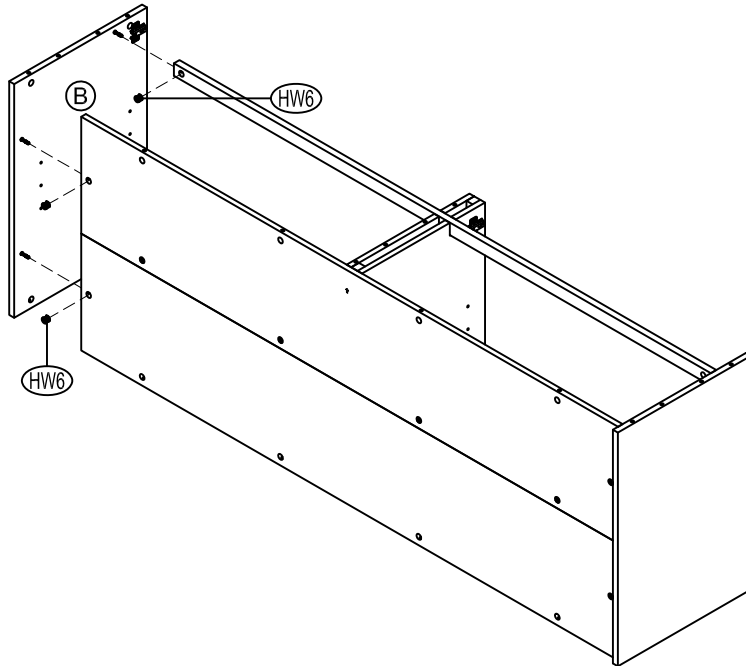
6
Attach Divider (C) to Upper and Lower Back Panels (G) and (H) using Camlocks (HW6).



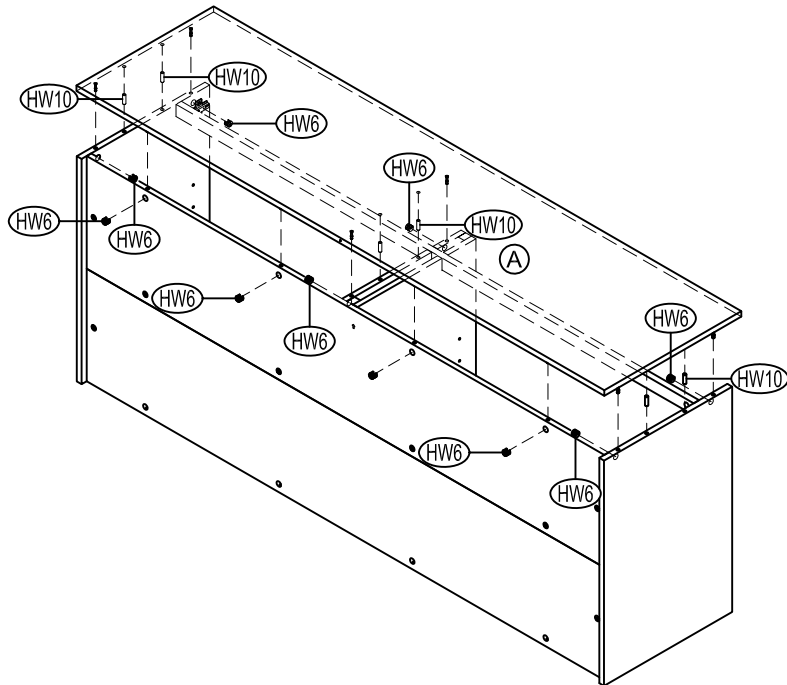
8
Attach Top Rail (E) to unit using Camlock (HW6).



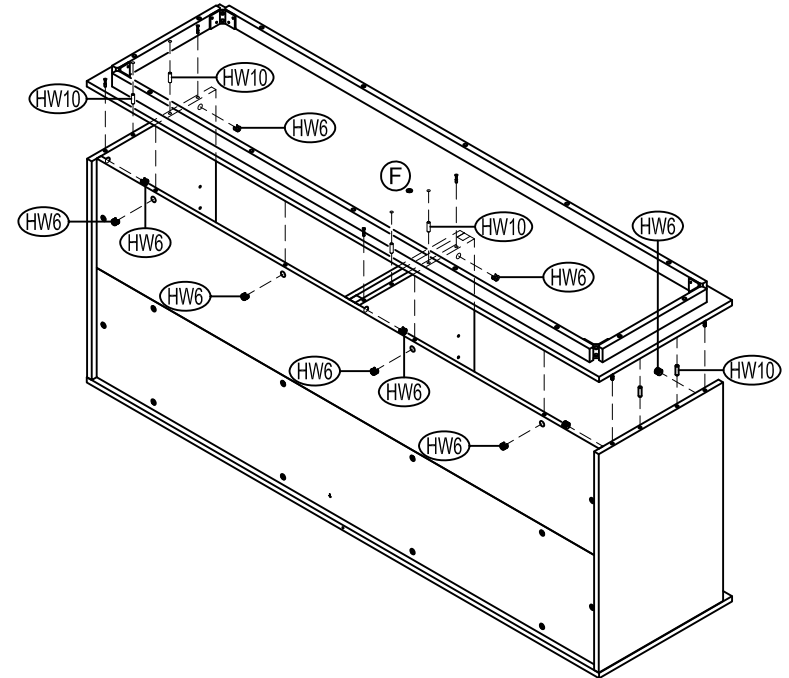
Attach Side Panel (B) to unit using Camlocks (HW6).



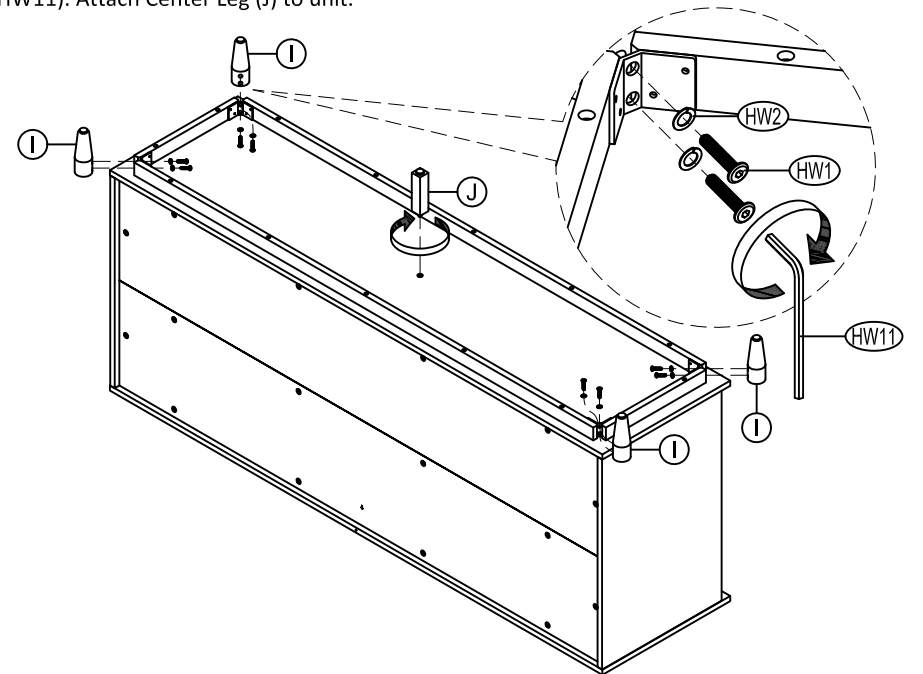
Attach Top Panel (A) to unit using Camlocks (HW6) and Dowels (HW10).



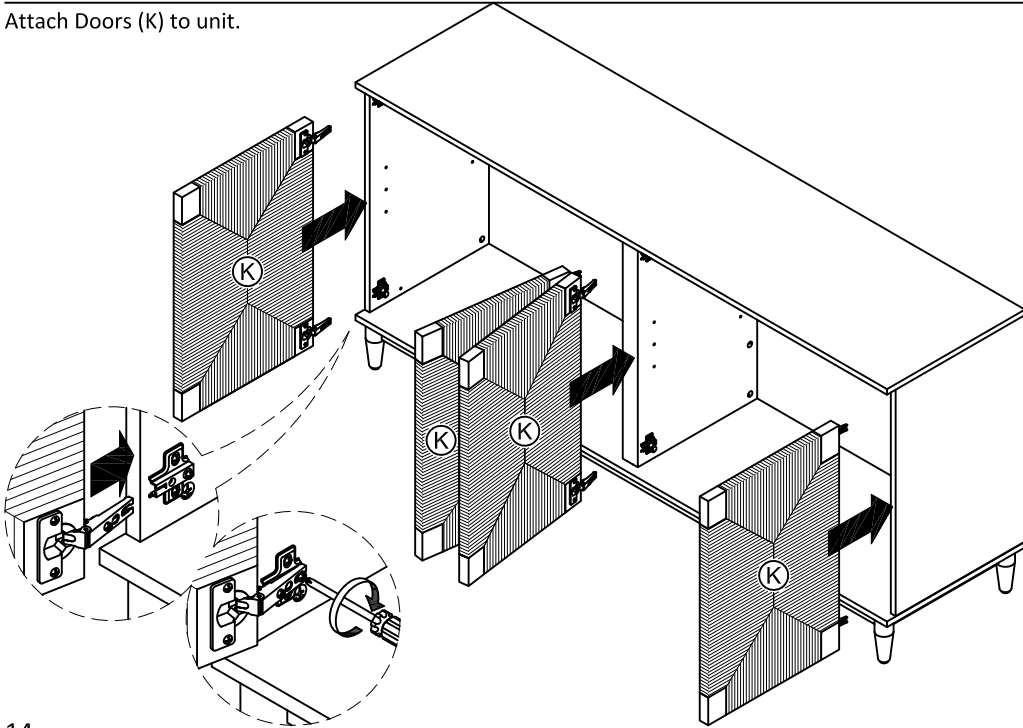
Attach Bottom Assembly (F) to unit using Camlocks (HW6) and Dowels (HW10).



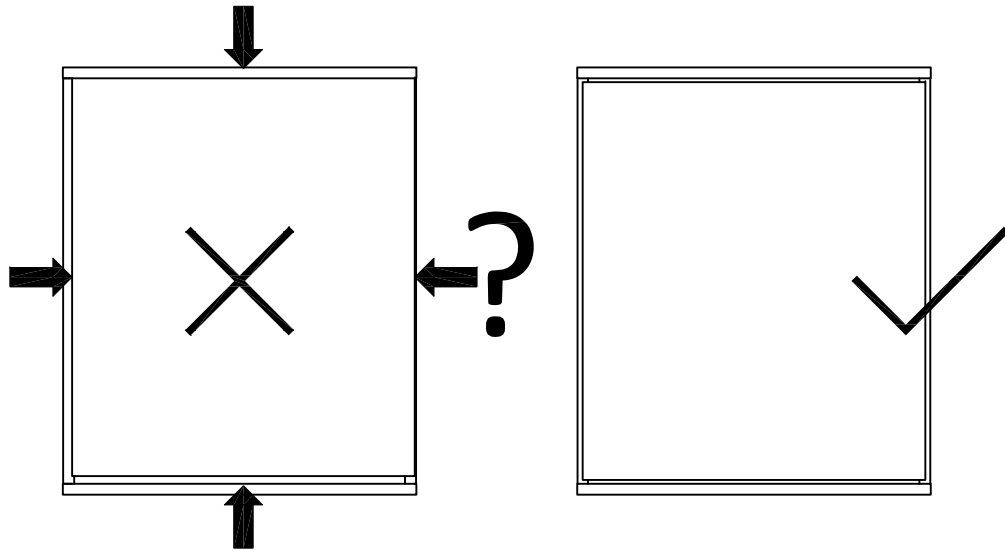
Attach Legs (I) to unit using Bolts 30mm (HW1) and Spring Washers (HW2). Tighten the Bolts using Allen Key (HW11). Attach Center Leg (J) to unit.



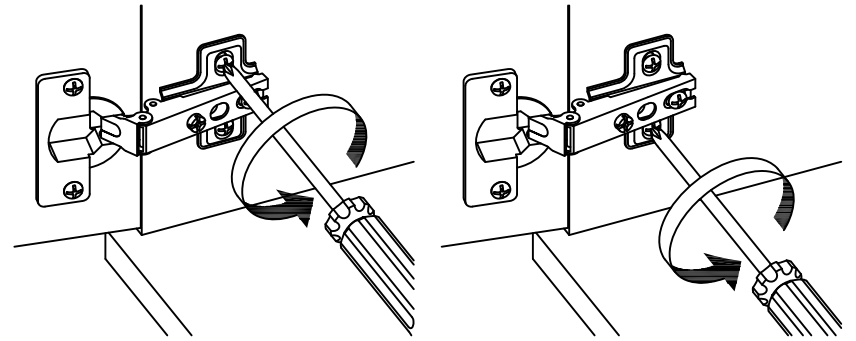
Attach Doors (K) to unit.



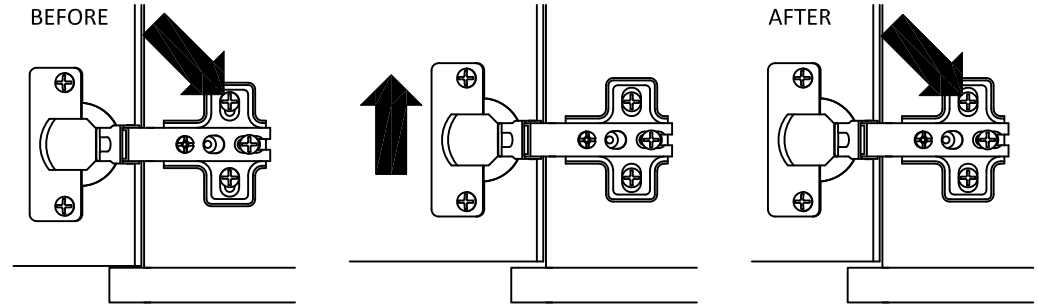
The gaps around the door should be balanced. if gaps are not balanced, please follow steps 15 to 17.



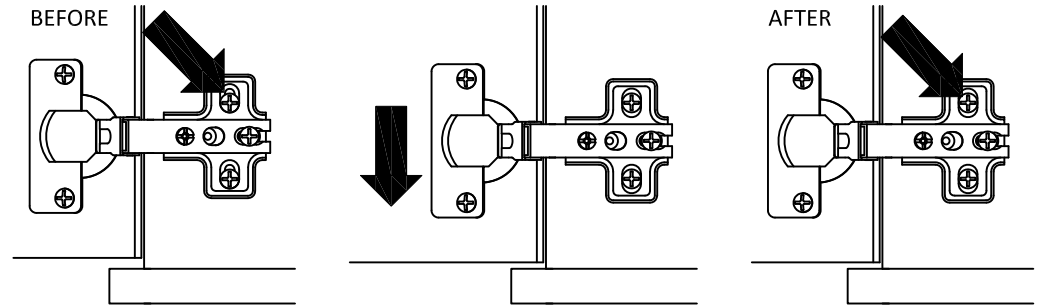
15.1. If the edge on the top or bottom are not balanced, loosen both hinge base screws.



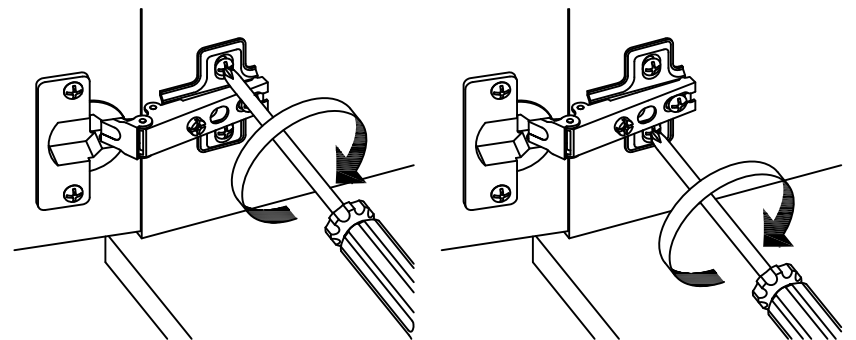
15.1.1. If the edge on the top is too wide then slide the door slightly to the top.

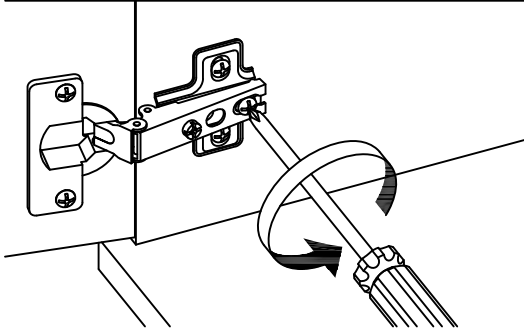


15.1.2. If the edge on the bottom is too wide then slide the door slightly to the bottom.



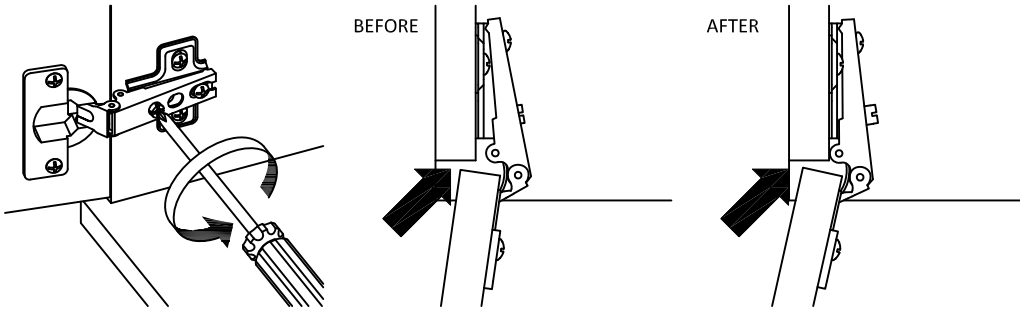
15.2. Tighten both hinge base screws.



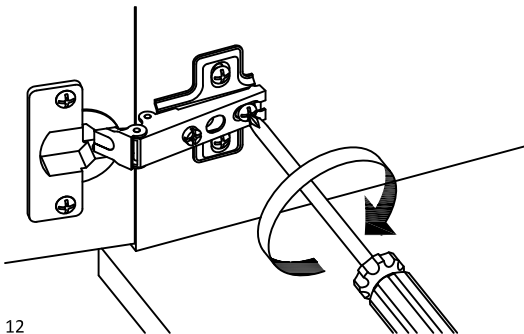
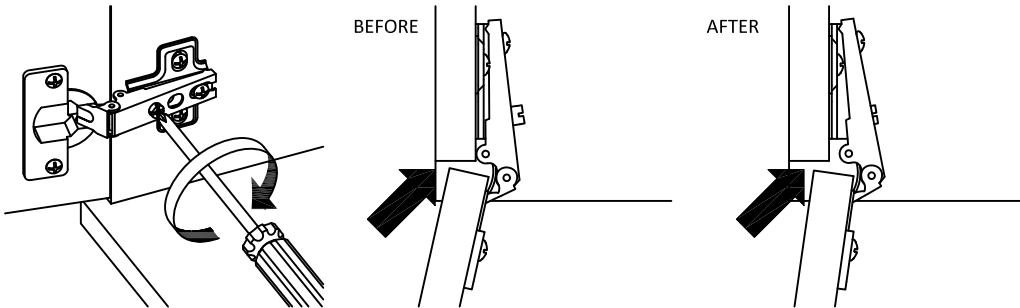


16.1. If the edge on the left or right are not balanced, loosen the back center screw.

16.1.1. If the edge on the left side is too wide, you will need to slide the door slightly to the left by turning the front center screw counterclockwise.

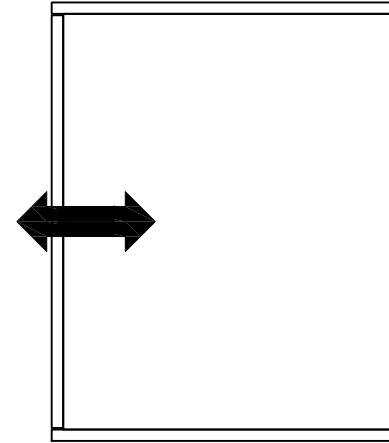


16.1.2. If the edge on the left side is too narrow, you will need to slide the doors slightly to the right by turning the front center screw counter clockwise.

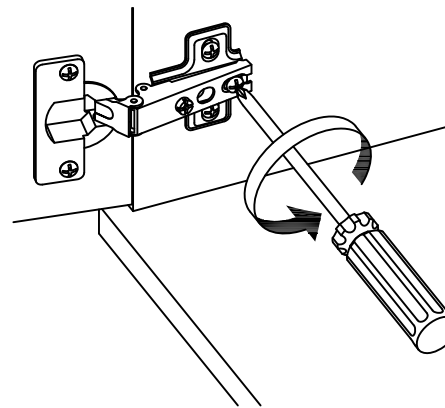


16.2. Tighten the back center screw.

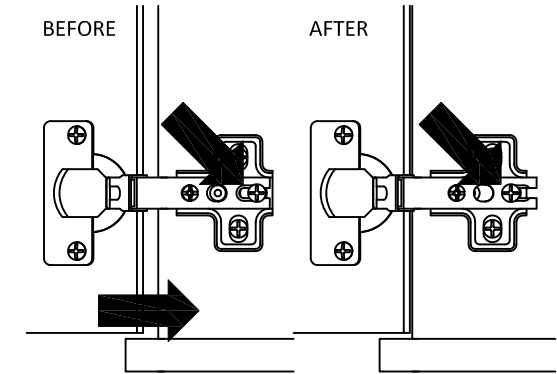
17.1. If you need to slide the door forward or backward, please follow this step.



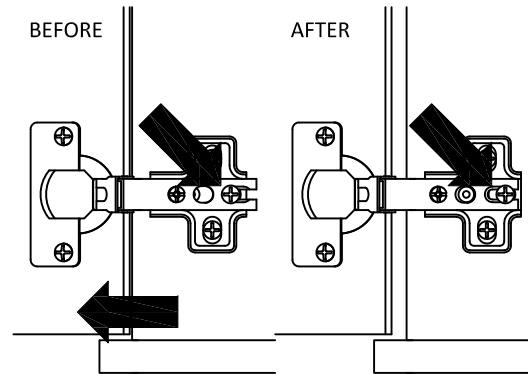
17.2. Loosen the back center screw.



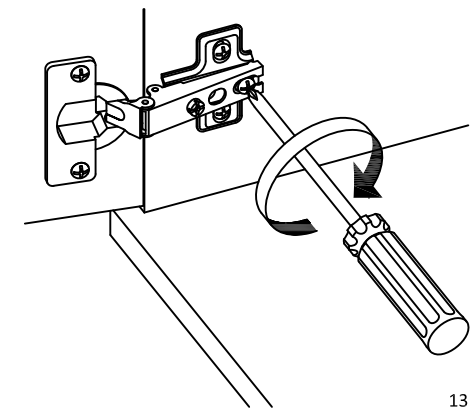
17.2.1. If you need to slide the door backward, push the door slightly.



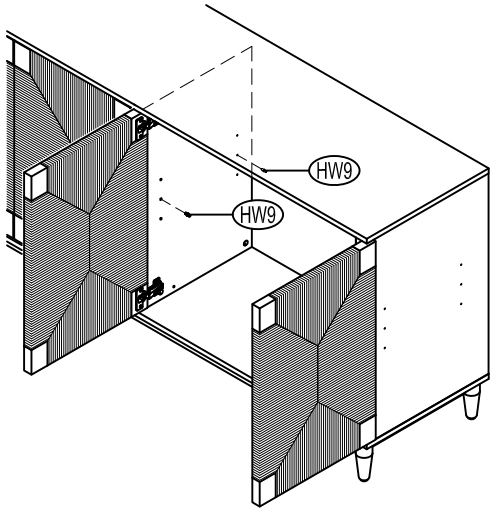
17.2.2. If you need to slide the door forward, pull the door slightly.



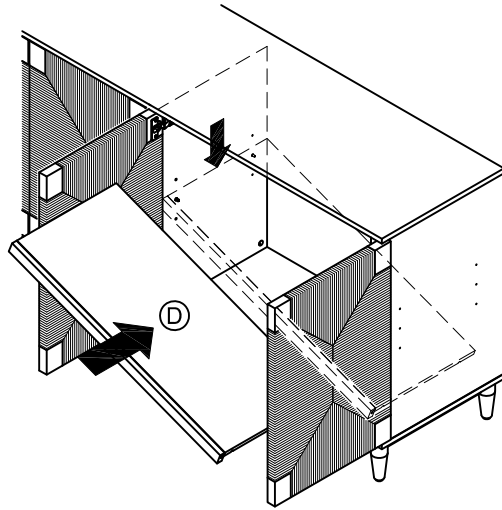
17.3. Tighten the back center screw.



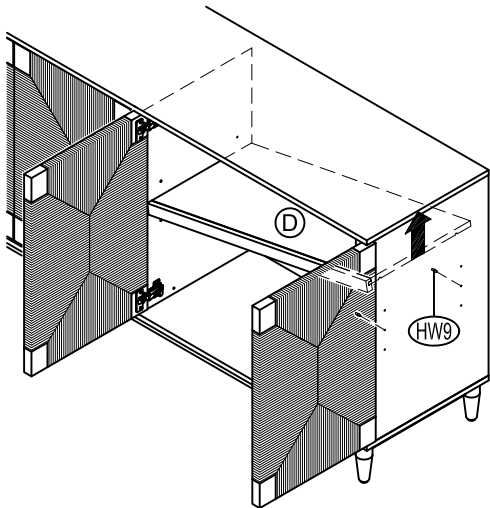
18.1. Insert Shelf Support Pins (HW9) into left panel at desired level.



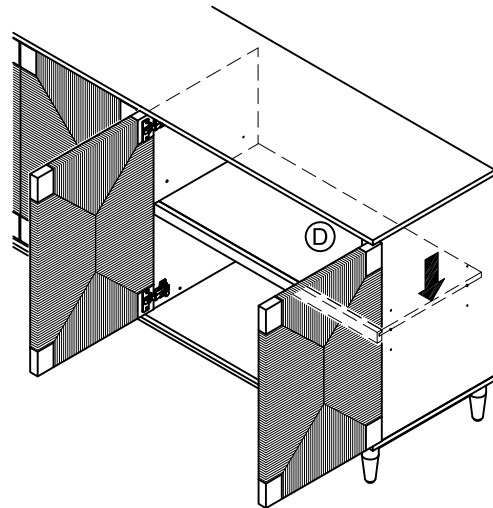
18.2. Place the left side of the Shelf Panel (D) into position.



18.3. Holding it on the right side of the Side Panel (D) higher than the desired level, insert the rest Shelf Support Pins (HW9) into right panel at desired level.



18.4. Place the right side of the Shelf Panel (D) into position.



Adjust the levelers on the bottom of the legs as needed. Place the sideboard in the place where you will use it. We'd love to see it – just tag us (we're @safavieh) and use the hashtag #safavieh on Instagram!

