

# SIMPLE SHOE RACK

**Before installing using the product, please read these instructions carefully before assembling the product**

Use: for home bedroom private room, etc.

Material: steel, plastic fittings, Oxford cloth or non-woven fabrics









Toxic substances: None

## Precautions:

1. Do not touch the cut surface of the steel pipe
2. make sure that the various parts of the accessories are complete
3. be sure to follow the installation sequence assembly instructions

## list:

Weather colder regions Note: Soak Interface with warm water for a few minutes

LEGEND	NUMBER	QUANTITY	LENGTH
	①	28	54CM
	②	21	24CM
	③	36	17CM
	⑥	24+1	
	⑦	12+1	
	⑧	4	
	⑨	2	
		12 +1	

## INSTALLATION STEPS

### STEP 1

Take the 2① into the 1 run



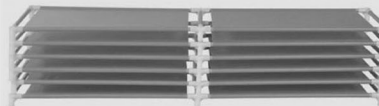
### STEP 2

2 sides with ②⑥links, the middle with ①⑦ connection



### STEP 3

Repeat the above steps, with 6 layers



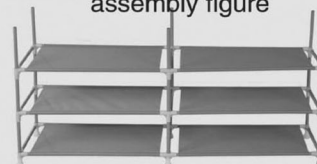
### STEP 4

Take ⑧ assembly as shown in Fig.



### STEP 5

Take the ③ the barrier assembly figure



### STEP 6

Frame assembly



### STEP 7

Take a cloth cover put on a cloth cover

