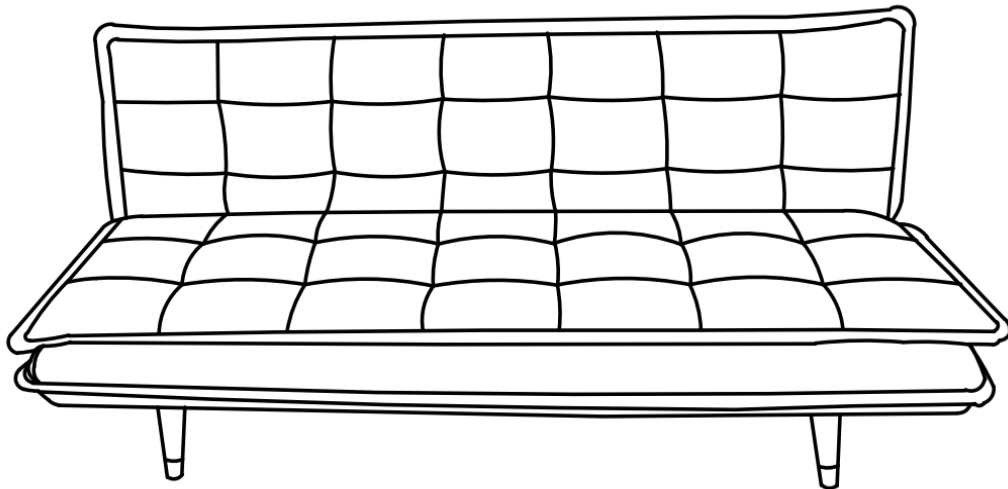


Futon Sofa Bed

ASSEMBLY INSTRUCTIONS



**IMPORTANT SAFETY INSTRUCTIONS:**

- Read all instructions carefully before unpacking assembly parts. Sharp, exposed staple tips can cause injury. For your protection, please remove any exposed staples used in packing.
- For your safety, assembly by two or more adults is recommended.
- Use only vendor supplied hardware to assemble. Using unauthorized hardware could jeopardize the structural integrity of the item.
- Keep instructions for future use.
- Intended for residential use only.
- Keep small parts and hardware out of the reach of children.

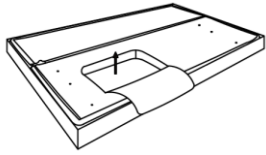
**PRE-ASSEMBLY INSTRUCTIONS:**

- Remove all parts and hardware from the box and place them on a carpeted or scratch-free work surface.
- To avoid accidentally discarding small parts or hardware, please do not dispose of any contents until assembly is complete.
- Prior to starting assembly, use the parts and hardware lists to identify and separate each of the pieces included.
- Do not over-tighten screws or bolts.

## TABLE OF CONTENTS


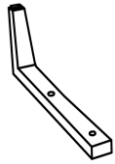



<b>Parts List</b>	<b>Page 3</b>
<b>Hardware List</b>	<b>Page 4</b>
<b>Assembly Instructions</b>	<b>Pages 5-6</b>
<b>Care &amp; Maintenance and Warnings</b>	<b>Page 7</b>

## PARTS LIST

PART #	PICTURE	PART DISCRIPTION	QTY
A		Futon	1pc

*Thank you for your purchase. Be sure to check all packing material carefully for small parts which may have come loose inside the carton during shipment. Identify and count all parts and compare with the parts and hardware lists.*

## HARDWARE LIST

PART #	PICTURE	PART DISCRIPTION	QTY
A		Front Legs	2pcs
B		Back Legs	2pcs
C		Screw (M8*55)	4pcs
D		Flat Washer for Back legs(8*22*2mm)	4pcs
E		Allen Key(L:79mm W:28mm $\phi$ :5mm)	1pc

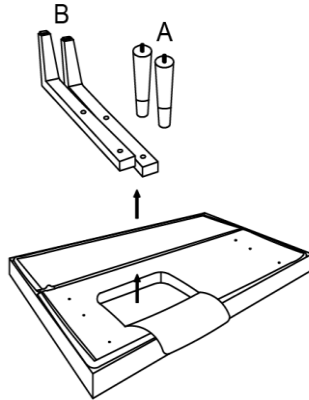
Phillips screwdriver also needed for assembly (not included).

*Thank you for your purchase. Be sure to check all packing material carefully for small parts which may have come loose inside the carton during shipment. Identify and count all parts and compare with the parts and hardware lists.*

## STEP 1

### Preparation for Legs assembly

Take out the hardware box with front legs (A) and back legs(B) from sofa bottom bag.

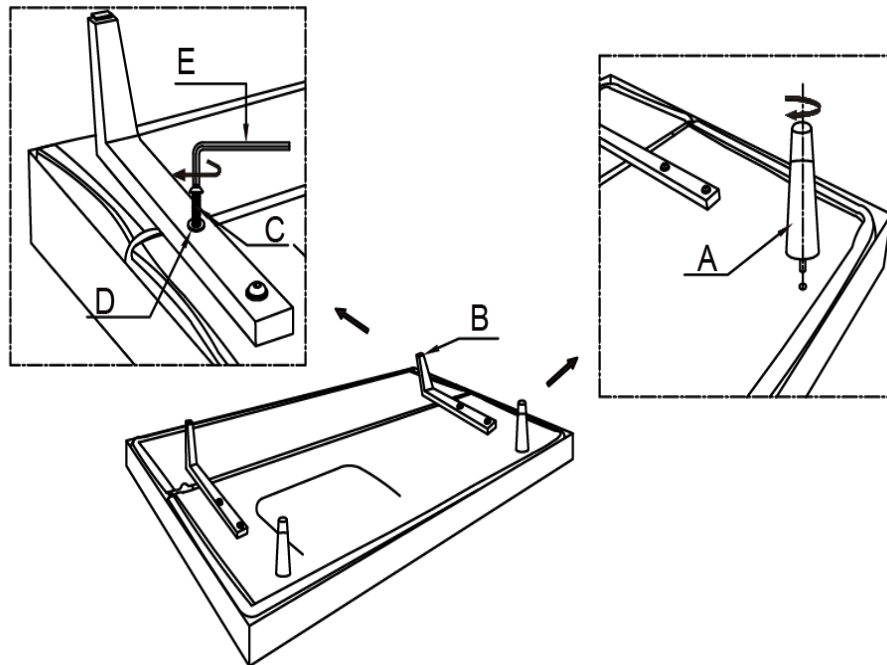


## STEP 2

### Assemble legs

1. Place the Futon as shown on a material that does not damage or stain the fabric.
2. Align screw holes on the leg bracket to the screw holes on the base plate at the bottom-side of Chair. (Note: The legs should angle outwards. The rear leg brackets are to be aligned squarely to each rear corner and the front leg brackets are to be aligned diagonally to each front corner)
3. Use Allen Key (E) to drive and tighten Screw (C) under the flat washer (D) in a clock wise direction to fasten the legs to the bottom of Futon base.

The assembly of the Futon is complete.

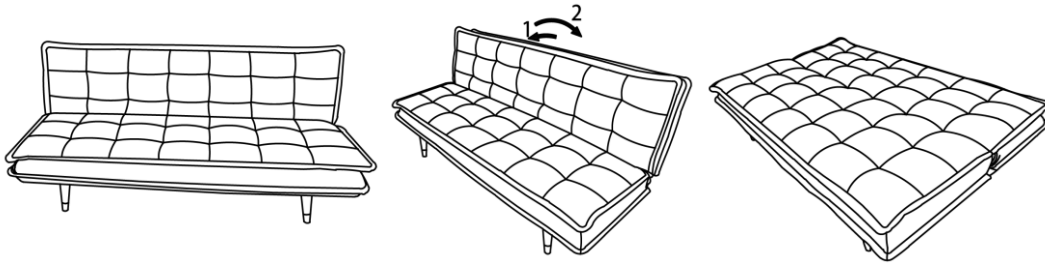


## STEP 3

### Bed Position

1. Open the zipper on the back rest to access legs. Pull out the legs in the direction as shown to set legs in a vertical position.
2. Push down the back rest backwards to set the back rest flat down to rest on the legs.  
(a) Push the back rest all the way to the front first (b) after heard "Click" sound, push down the back rest.

The Futon is set

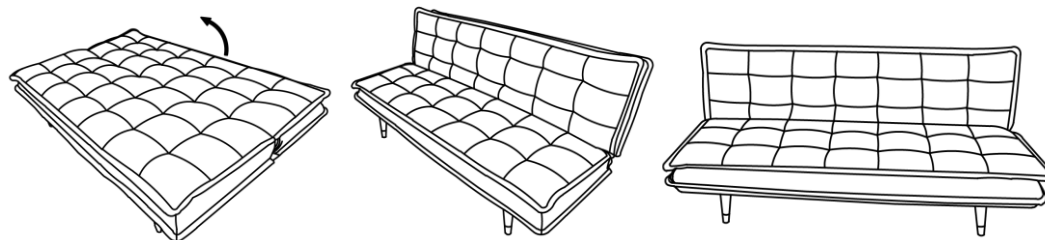


## STEP 4

### Sofa Position

1. Put in the legs in the direction as shown to set legs in a vertical position. Close the zipper on the back rest to access legs.
2. Boost up the back rest backwards to set the back rest to rest on the legs.  
(a) Push the back rest all the way to the front first (b) after heard "Click" sound, boost up the back rest.

The Futon is set



## CARE & MAINTENANCE

### Fabric Care Tips

- Be sure to vacuum on a weekly basis so dust and dirt do not settle into the fabric.
- Wrinkles in the fabric are a natural part of normal wear
- Fabric can fade when exposed to direct sunlight over a long period of time.
- To minimize fading, avoid placing your furniture in direct sunlight.
- Avoid cleaners which use chemical products. Many of these are harsh and not safe for use on upholstery.
- Stress to the fabric may result in tears and when stretched, upholstery may not completely return to its original shape.
- Avoid sitting in one area and use the seating areas evenly for even wear.
- Fabric is not resistant to animals. Allowing pets on your upholstered furniture is not recommended.
- If pillow cushions are sewn to the frame, any pulling or tugging may result in a tear.



## WARNING



- Do not use this product unless all screws and bolts are securely tightened.
- Check that all screws and bolts are secure every three months or as needed
- Dispose of packing material properly. Do not use plastic cover as head covering as it may cause suffocation.
- Do not use this product as a stepladder.
- Use this product for intended purpose only.
- Intended for residential use only.