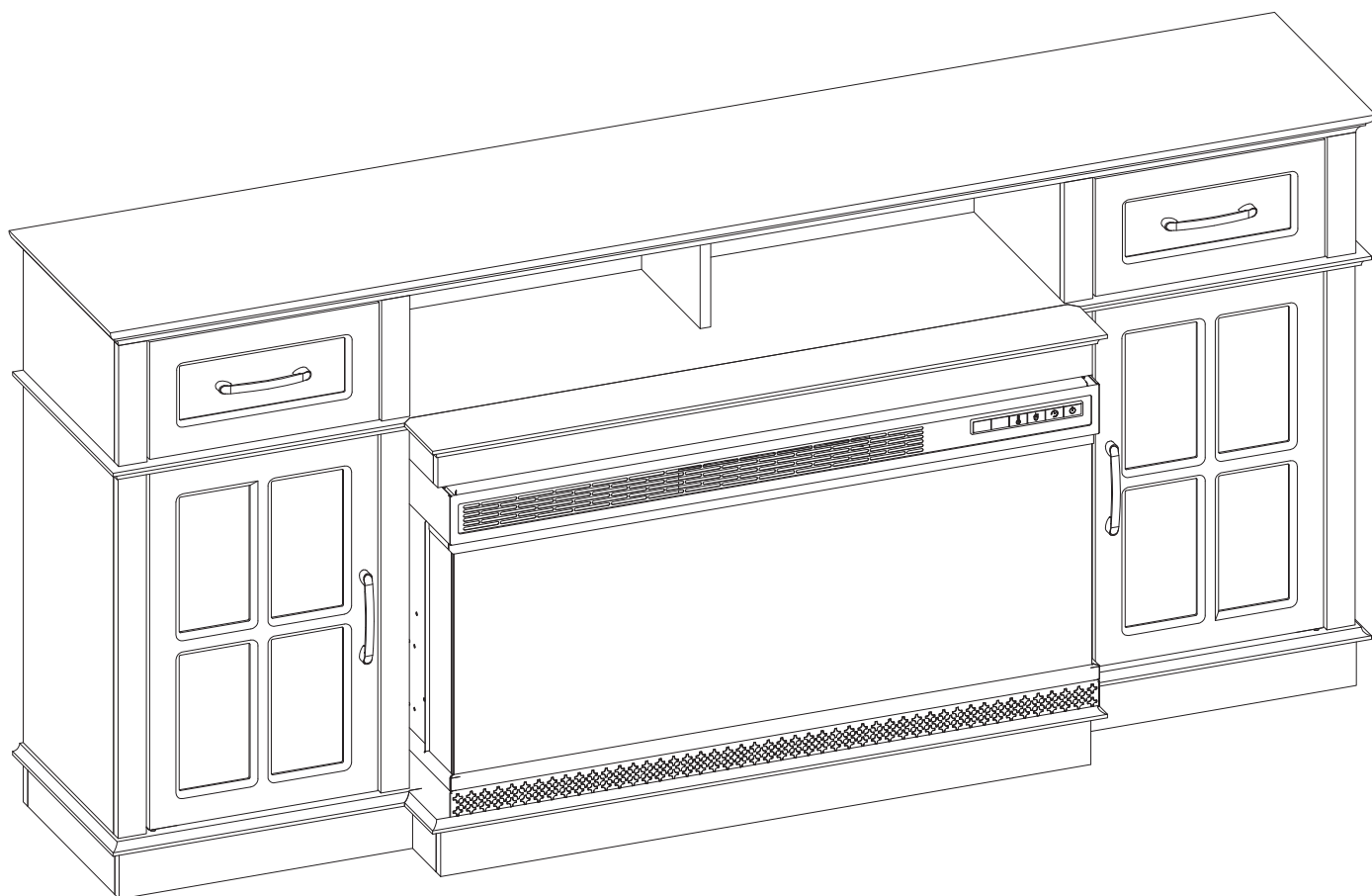


FIREPLACE TV STAND

ASSEMBLY INSTRUCTION



⚠ IMPORTANT

THIS INSTRUCTION BOOKLET CONTAINS IMPORTANT SAFETY INFORMATION.
PLEASE READ AND KEEP FOR FUTURE REFERENCE.

RETURN & WARRANTY

Thank you for choosing our product!

We would like to take this opportunity to thank you for choosing us.

We hope that you are completely satisfied with your purchase, and enjoy it for years to come.

Your satisfaction is our highest pursuit.

Return policy

We believe you will absolutely love your furniture, but if for some reason you want to return the product, please contact us directly before you decide to return your product to the retailer. Our Customer Service organization can answer most concerns and can assist you with any questions you may have about your new product.

The item must be returned in good condition, in original box, with all original proof of purchase, parts and accessories, within the time frame specified by the retailer it was purchased from.

Warranty

We warrant this product to be free from defects in material and workmanship agrees to remedy any such defect. This warranty covers one year from the date of original purchase. This is solely limited to be repair or replacement of defective parts and no assembly labor is included.

This warranty does not apply to any product which has been improperly assembled, subjected to misuse or abuse or which has been altered or repaired in anyway.

Components repaired or replaced warranted through the remainder of the original warranty period only. The defective components will be repaired or replaced without charge, subject to the terms and conditions described above.

For help with assembly, identifying parts, product information or to order parts, please contact us freely.

BEFORE STARTING

Before Using Product



- Read each step carefully before starting. It is very important that each step is performed in the correct order. If these steps are not followed in sequence, assembly difficulties will occur.



- Make sure all parts are included. Most board parts are labeled or stamped on the raw edge.

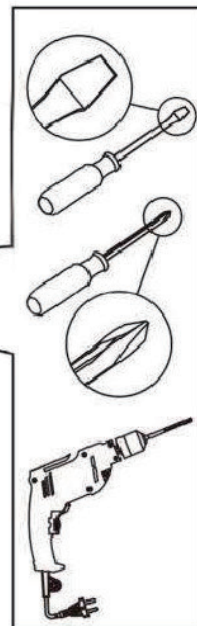
- Prepare a flat and Philips screwdriver (not included)
A Power Screwdriver is recommended.



- Work in a spacious area and near where the unit will be used, preferably on a carpet, or use a piece of the cardboard packaging to protect your floor and product.



- For a smooth assembly process, we suggest you keep a lite tightness for all the screws during assembly. After the whole product is assembled, firmly tighten all the screws.



Estimated People for Assembly

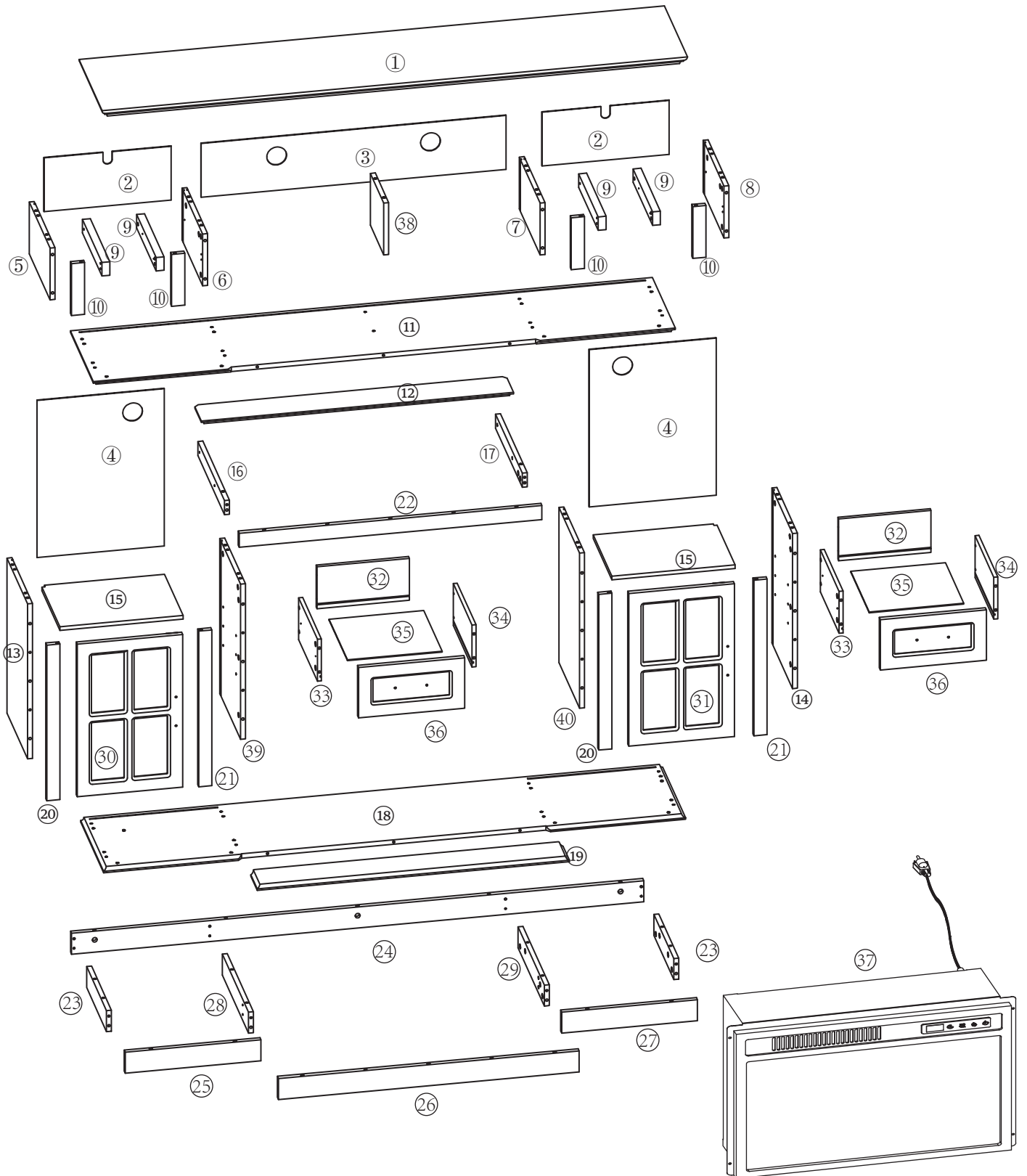
2

WARNING:

- Do not allow children to climb on unit
- Serious or fatal crushing injuries can occur from furniture tip-over. To prevent this furniture from tipping over, it must be permanently fixed to the wall. Fixing devices for the wall are not included since different wall materials require different types of fixing devices. Use fixing devices suitable for the walls in your home. For advice on suitable fixing systems, contact your local specialized dealer
- Avoid sharp objects or corrosive chemicals to prevent damage to the product
- During assembly, keep parts and packaging materials away from children and pets as there could be potential injury and choking hazards

IDENTIFY PARTS

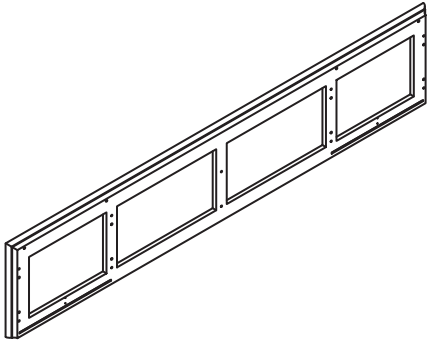
One unit



COMPONENTS

Please check the board number and the hole on the board

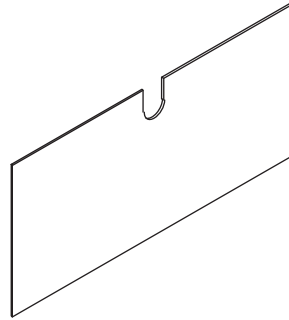
1



1781x347x30mm

Top Panel x1

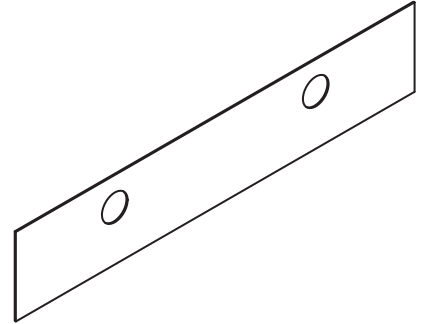
2



385x185x3mm

Upper Back Panel x2

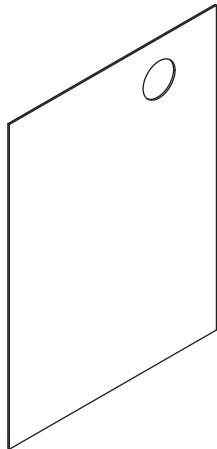
3



925x180x3mm

Middle Back Panel x1

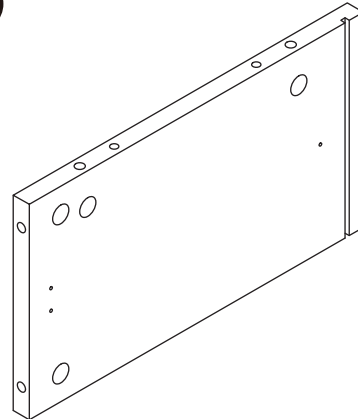
4



530x388x3mm

Lower Back Panel x2

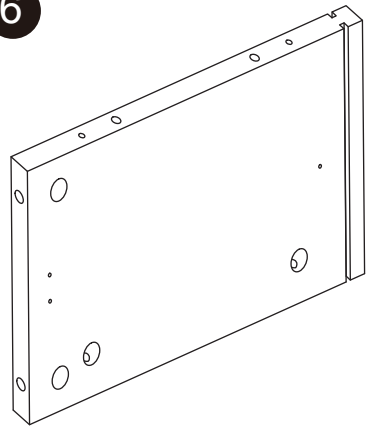
5



310x173x15mm

Upper Left Panel x1

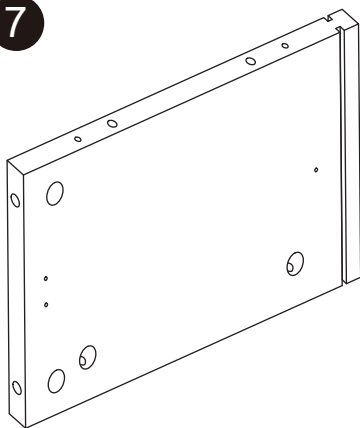
6



310x173x15mm

Upper Middle Left Panel x1

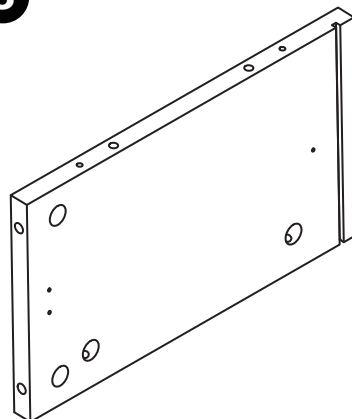
7



310x173x15mm

Upper Middle Right Panel x1

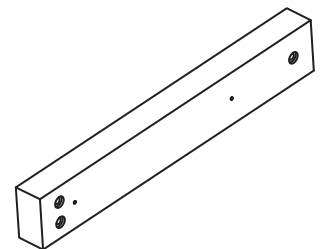
8



310x173x15mm

Upper Right Panel x1

9



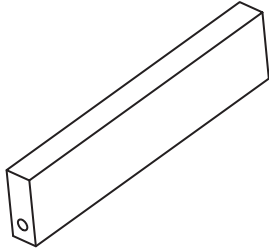
290x24x45mm

Drawer Wood Strip x4

COMPONENTS

Please check the board number and the hole on the board

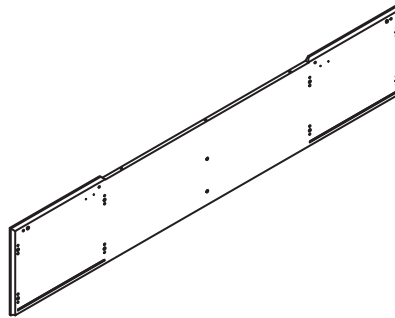
10



173x40x15mm

Drawer Wood Strip x4

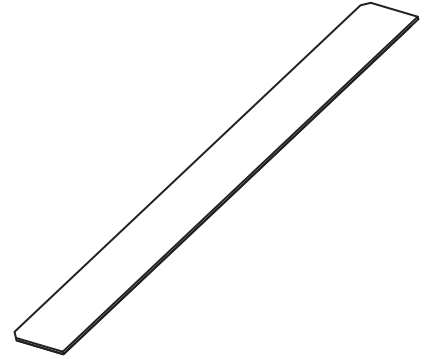
11



1771x342x15mm

Middle Panel x1

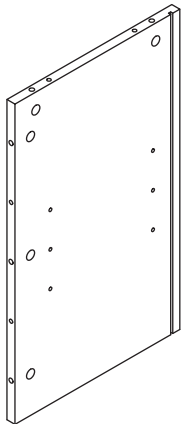
12



950x107x15mm

Middle Front Panel x1

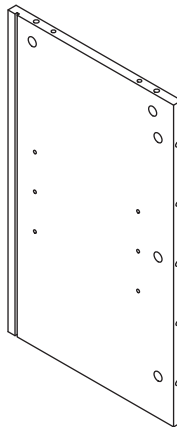
13



518x308x15mm

Left Side Panel x1

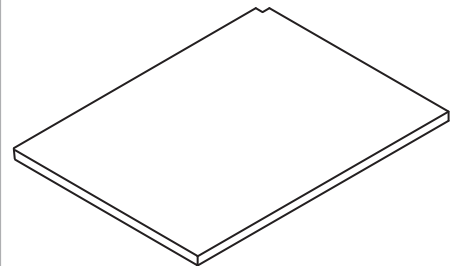
14



518x308x15mm

Right Side Panel x1

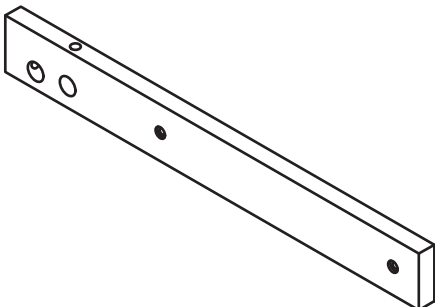
15



374.5x277x12mm

Adjustable Shelf x2

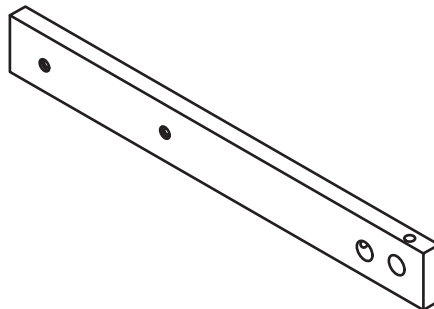
16



398x47x15mm

Middle Left Wood Strip x1

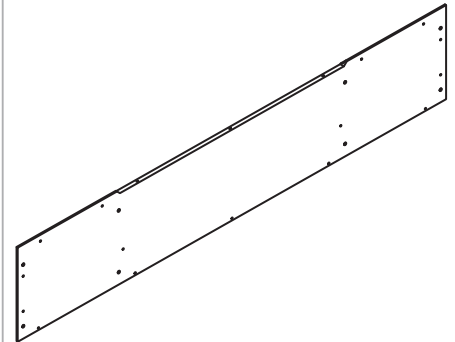
17



398x47x15mm

Middle Right Wood Strip x1

18



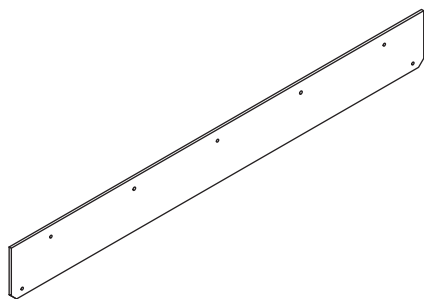
1771x342x15mm

Bottom Panel x1

COMPONENTS

Please check the board number and the hole on the board

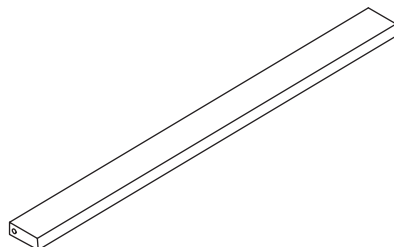
19



950x107x15mm

Middle Front Bottom Panel x1

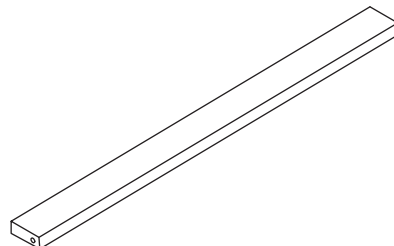
20



520x40x15mm

Left & Middle Right
Wood Strip x2

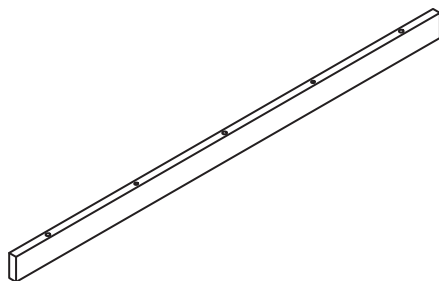
21



520x40x15mm

Right & Middle Left
Wood Strip x2

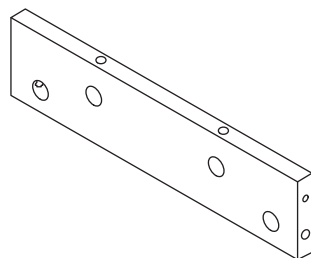
22



921x47x15mm

Middle Wood Strip x1

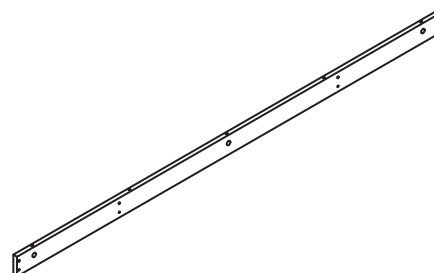
23



297x70x15mm

Left & Right
Bottom Brace Panel x2

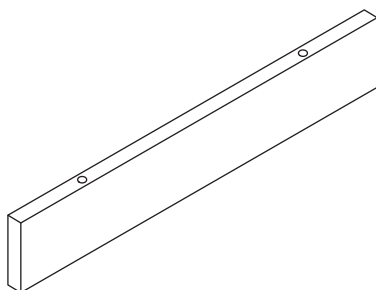
24



1741x70x15mm

Rear Bottom Brace Panel x1

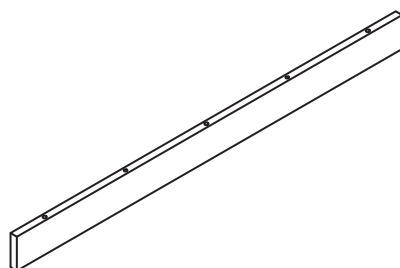
25



413x70x15mm

Left Front
Bottom Brace Panel x1

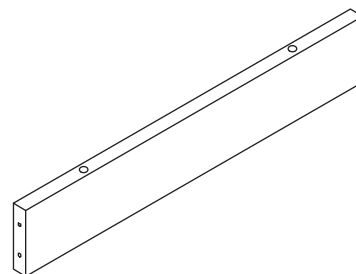
26



915x70x15mm

Middle Front
Bottom Brace Panel x1

27



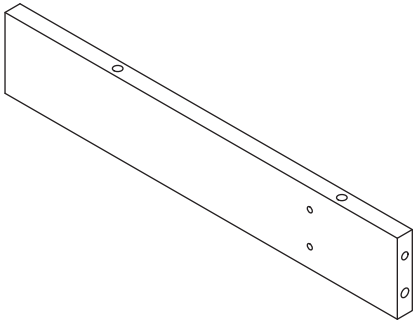
413x70x15mm

Right Front
Bottom Brace Panel x1

COMPONENTS

Please check the board number and the hole on the board

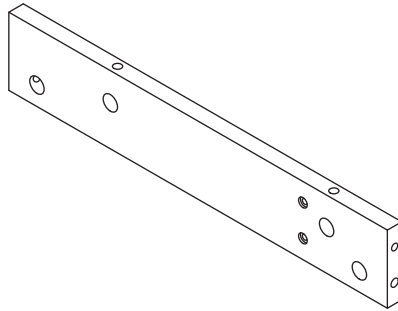
28



387x70x15mm

Middle Left
Bottom Brace Panel x1

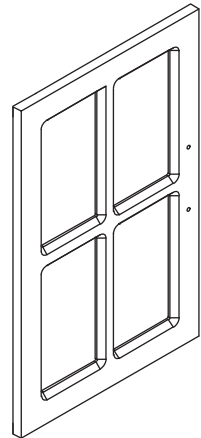
29



387x70x15mm

Middle Right
Bottom Brace Panel x1

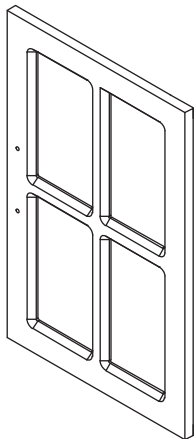
30



510x321x15mm

Left Door Panel x1

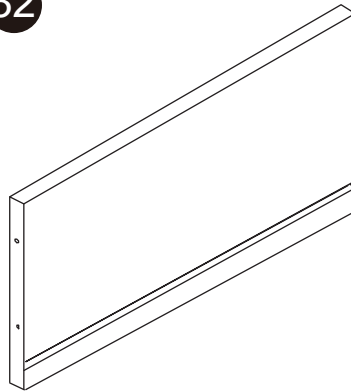
31



510x321x15mm

Right Door Panel x1

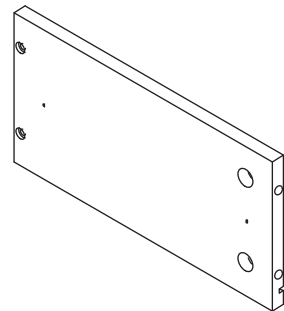
32



281x140x15mm

Drawer Back Panel x2

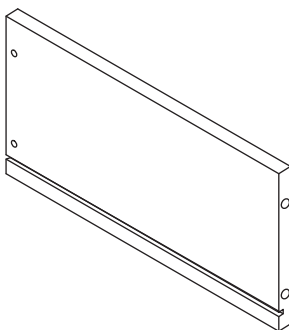
33



280x140x15mm

Drawer Left Panel x2

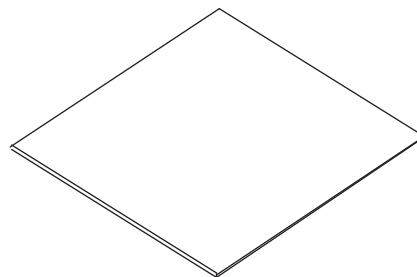
34



280x140x15mm

Drawer Right Panel x2

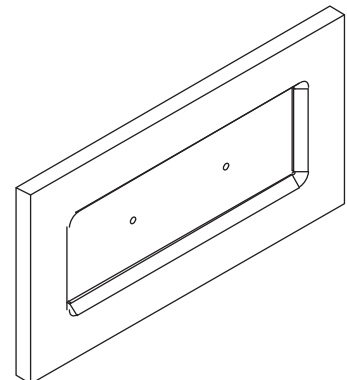
35



288x174x5mm

Drawer Bottom Panel x2

36



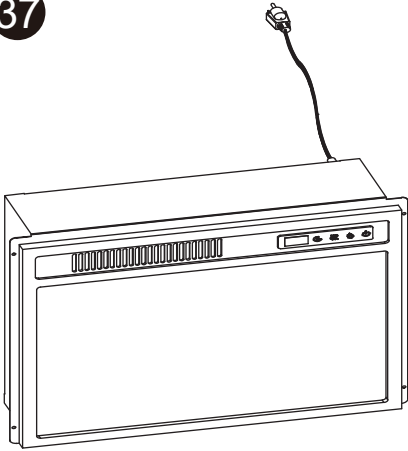
323x168x15mm

Drawer Front Panel x2

COMPONENTS

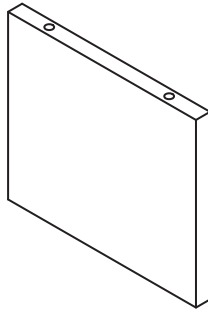
Please check the board number and the hole on the board

37



Fireplace x1

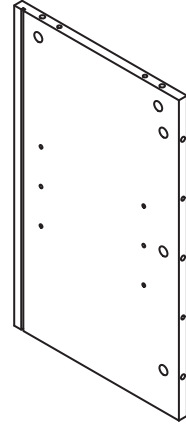
38



200x173x15mm

Middle Upper Panel x1

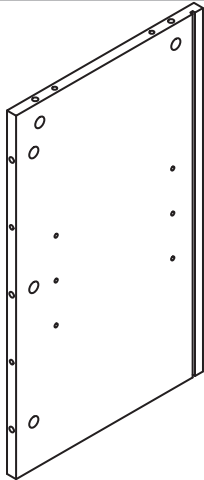
39



518x308x15mm

Middle Left Panel x1

40



518x308x15mm

Middle Right Panel x1

COMPONENTS

A



+7(spare)

Φ6x35mm

Cam Bolt x79

B

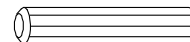


+7(spare)

Φ15x10mm

Cam Lock x79

C



+7(spare)

Φ6x30mm

Wood Dowel x72

D



+1(spare)

Φ4x35mm

Screw x12

E

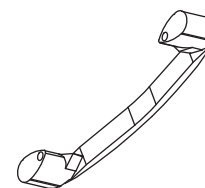


+1(spare)

Φ4X45mm

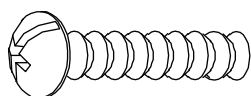
Screw x18

F



Handle x4

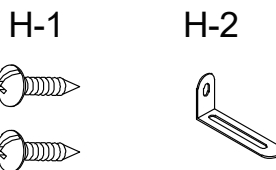
G



Φ4x18mm

Screw x4

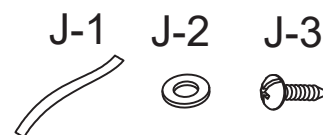
H



Φ4x12mm

Screw & L-shaped Bracket x2

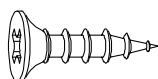
J



Φ4x12mm

Anti-tipping Strap & Washer & Screw x2

K



+3(spare)

Φ3X12mm

Screw x32

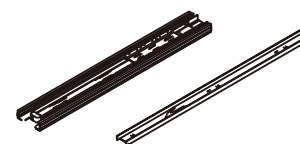
L



Φ4x45mm

Plastic Anchor & Washer & Screw x2

M

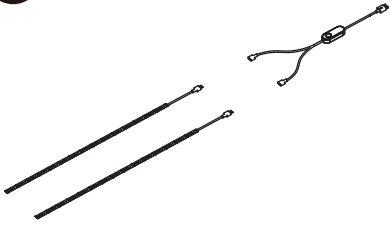


M-1 M-2

Double-section Slide Rail x4

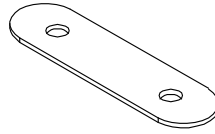
COMPONENTS

N



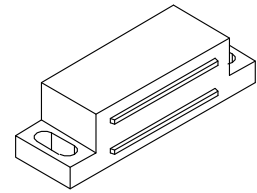
LED Strip Light x1

I



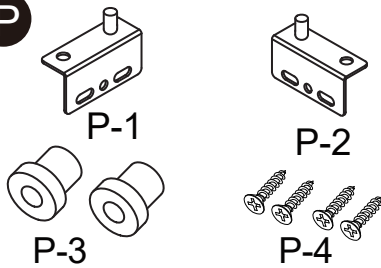
Magnetic Iron Sheet x2

U



Magnet Latch x2

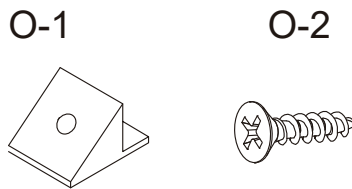
P



Φ3x14mm

Hinge & Plastic Washer
& Screw x2

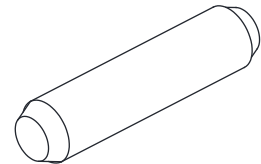
O



Φ3X14mm

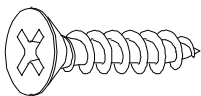
Back Panel Wedge &
Screw x8

S



Shelf Support x8

Q



Φ3x14mm

Screw x8

R



+1(spare)

Φ4x30mm

Screw x12

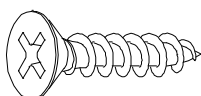
T



Φ8x40mm

Wood Dowel x6

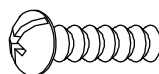
V



Φ4x25mm

Screw x4

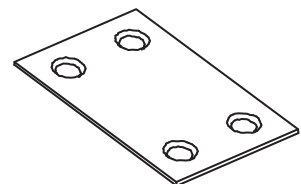
Z



Φ4x10mm

Screw x4

W

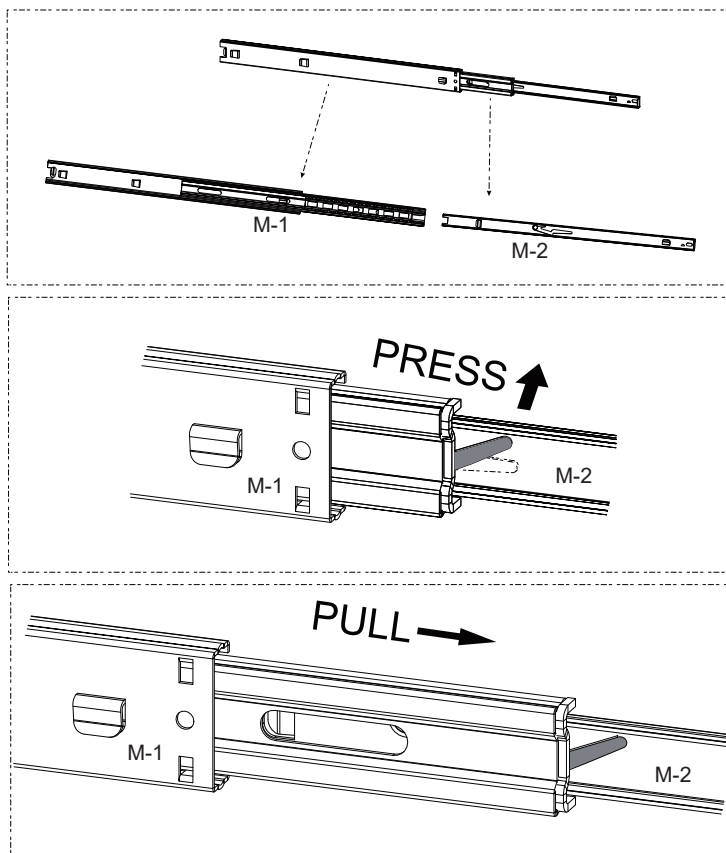


Bracket x4

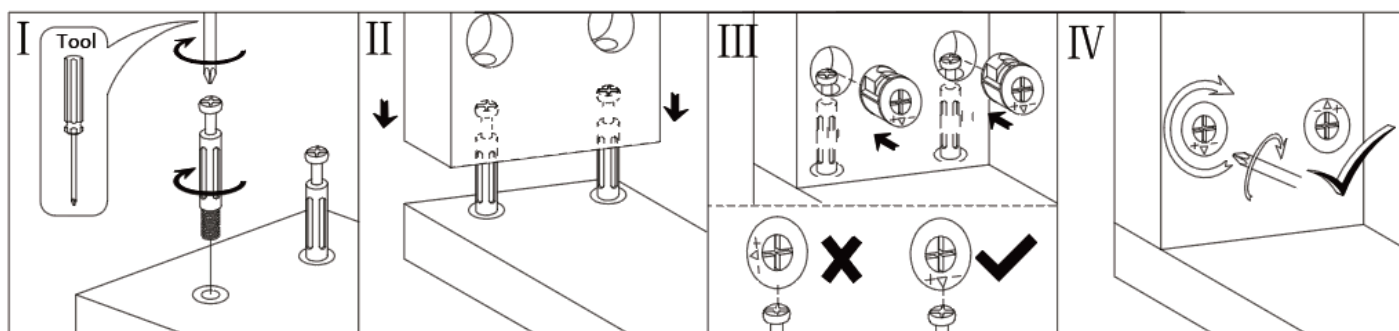
ASSEMBLY STEPS

*Before assembling the drawer slide, it needs to be disassembled first. As shown in the figure, press the detaching button on the side of the drawer slide to separate it into two parts, M-1 and M-2.

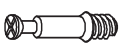





*Please grip the M-1 part while sliding the M-2 part.



"A & B" Hardware installation example

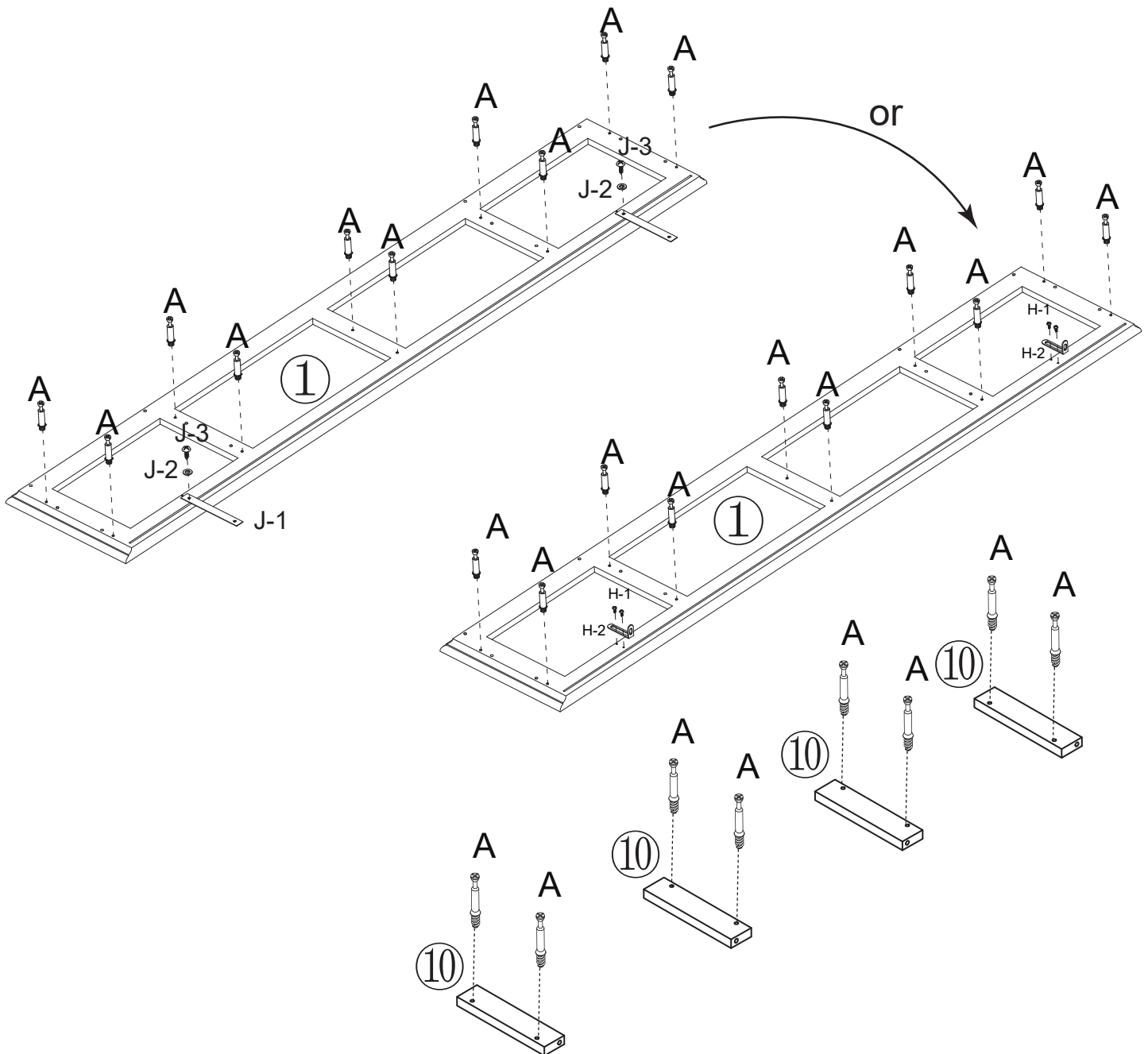


ASSEMBLY STEPS

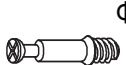
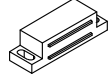
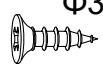
A x 18	$\Phi 6 \times 35 \text{mm}$ 	H x 2	H-1 	H-2 	J x 2	J-1 	J-2 	J-3 
--------	---	-------	--	--	-------	--	---	--

STEP 1

1. Fix cam bolt (A) to panels (1), (10) respectively.
2. There are two types of anti-tipping devices available for selection.
ONE: Use screw (H-1) to fix the L-shaped bracket (H-2) to panel (1).
TWO: Use screw (J-3) to pass through washer (J-2) and fix the anti-tipping strap (J-1) to panel (1).

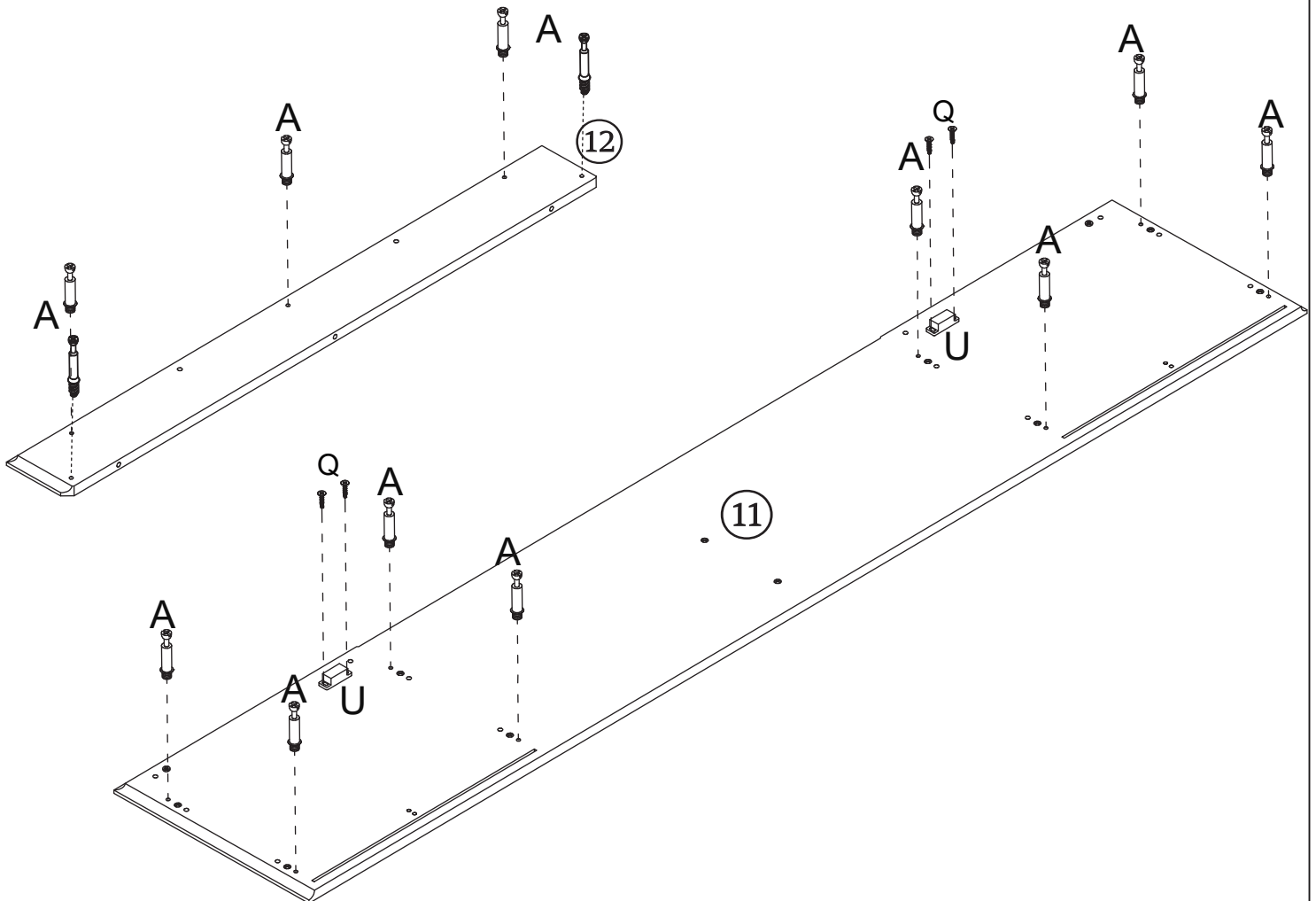


ASSEMBLY STEPS

A x 13	 $\Phi 6 \times 35 \text{mm}$	U x 2		Q x 4	 $\Phi 3 \times 14 \text{mm}$
--------	--	-------	---	-------	---

STEP 2

1. Fix the cam bolt (A) into panels (11), (12).
2. Fix the magnet latch (U) to panel (11) with screw (Q).



ASSEMBLY STEPS

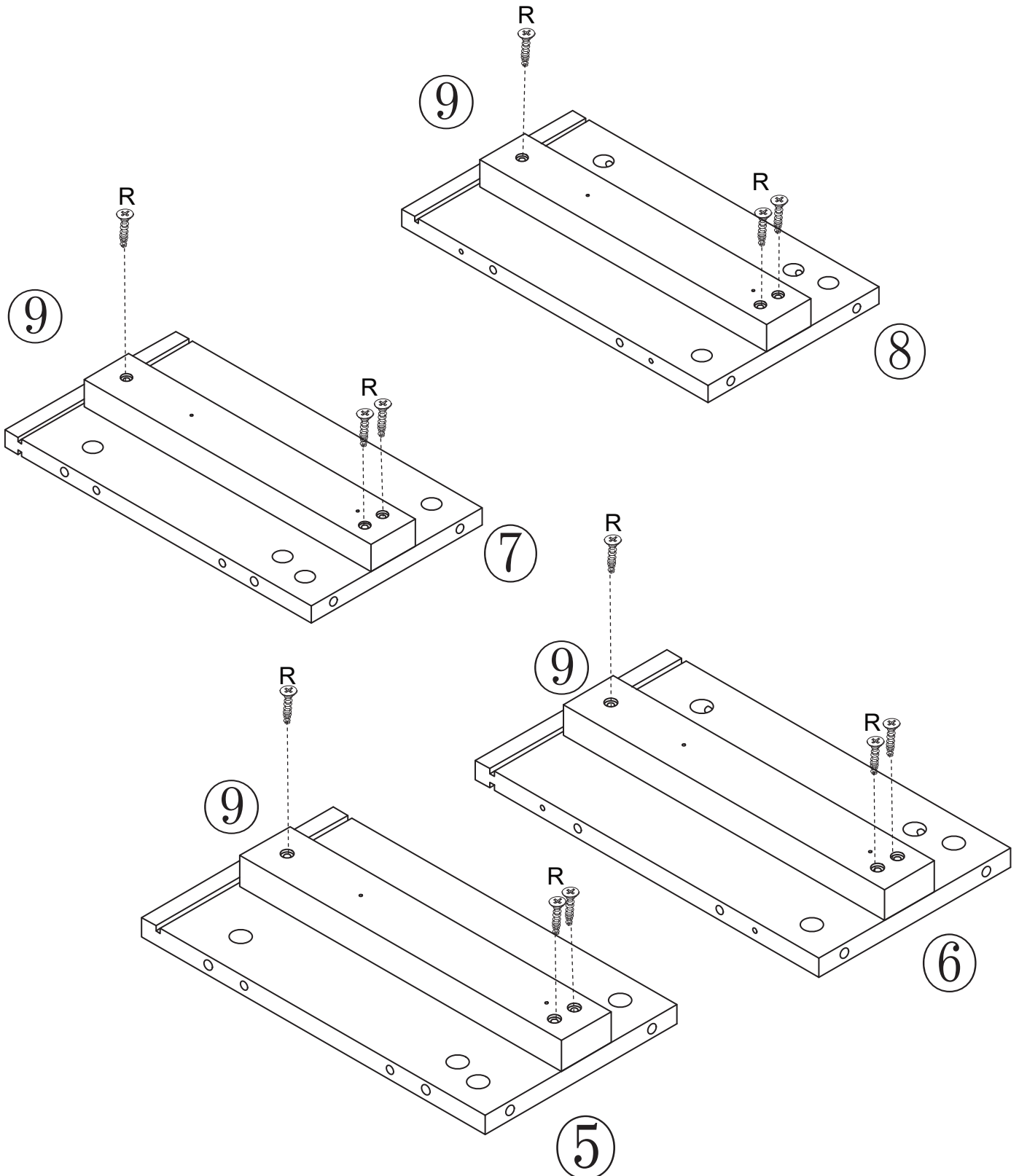
R x 12

Φ4x30mm



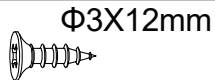
STEP 3

Fix wood strip (9) to panels (6), (7), (8), (5) with screw (R).



ASSEMBLY STEPS

K x 8

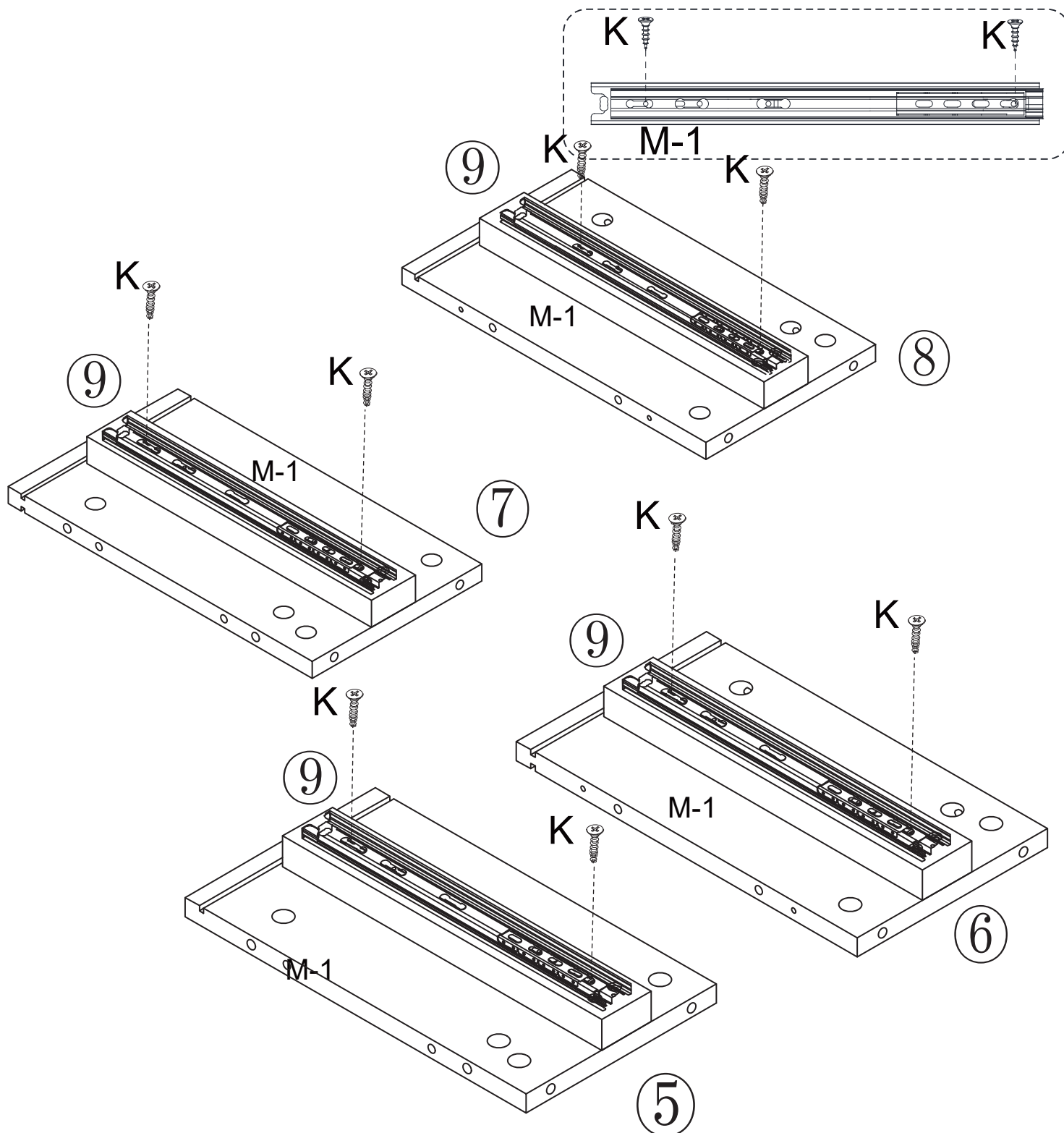


M x 4



STEP 4

Fix the double-section slide rail (M-1) to wood strips (9) with screw (K).



ASSEMBLY STEPS

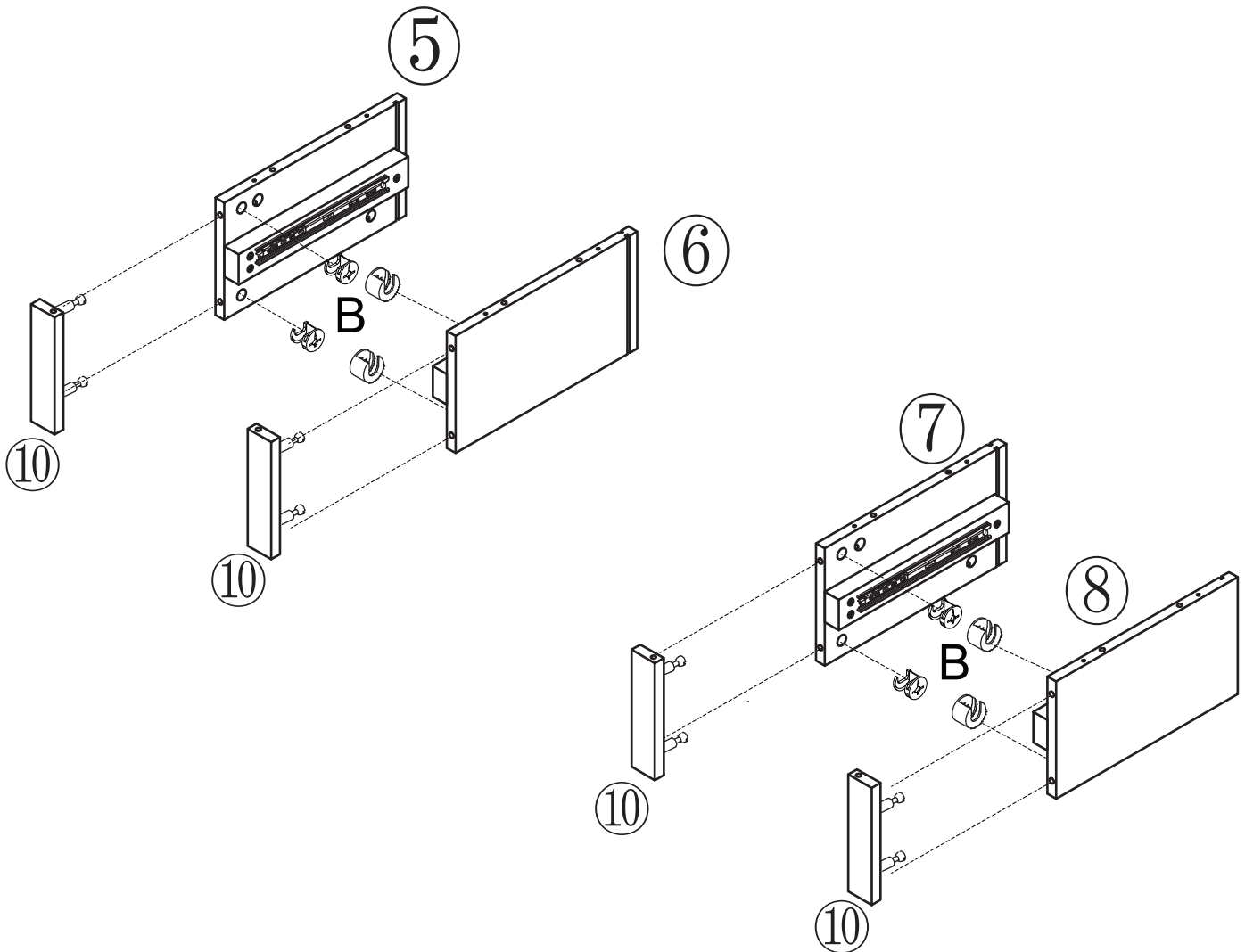
B x 8




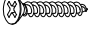
Φ15x10mm

STEP 5

Connect panels (5), (6), (7), (8) and wood strips (10), then tighten them with cam lock (B).

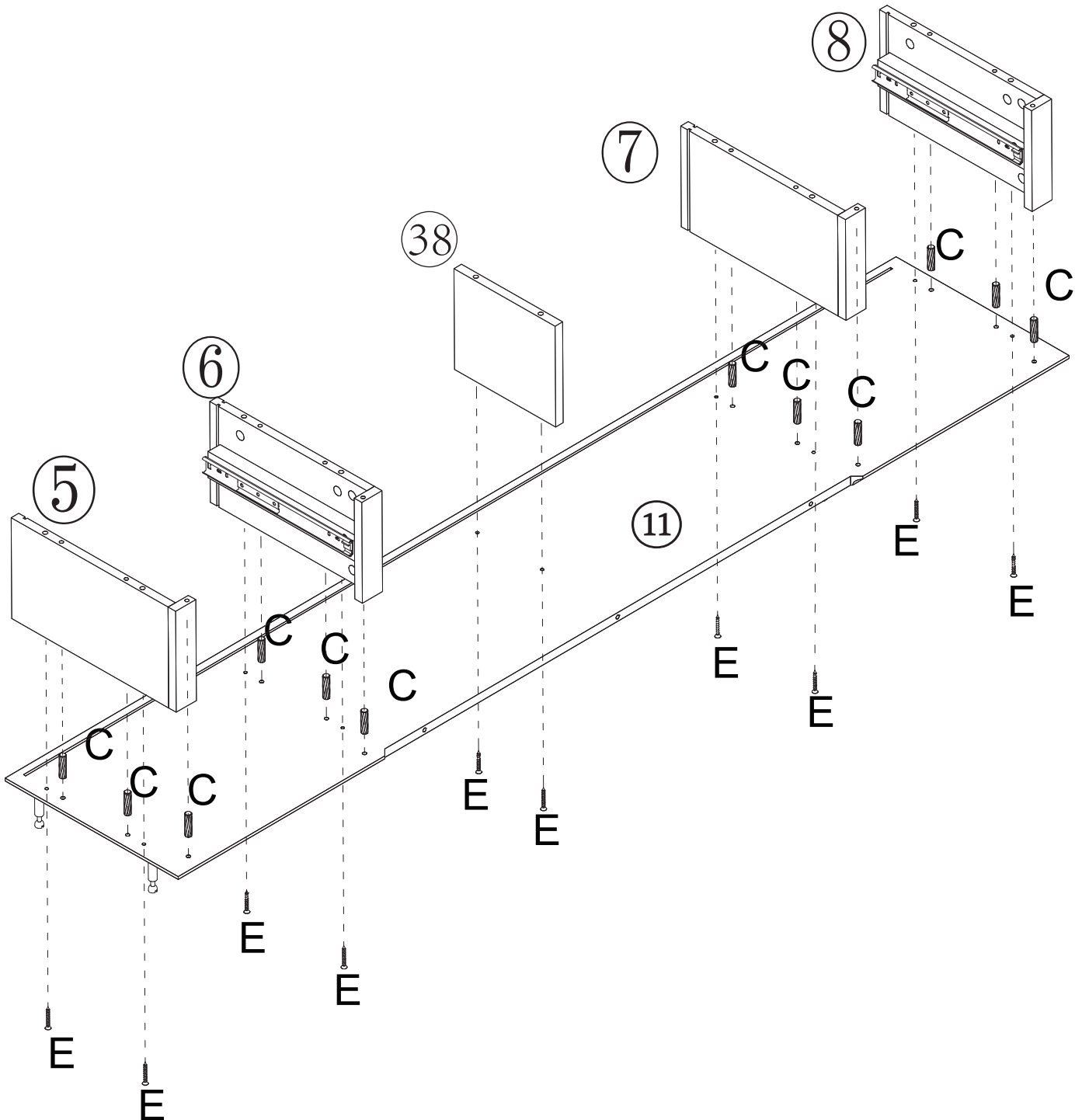


ASSEMBLY STEPS

C x 12	 $\Phi 6 \times 30 \text{mm}$	E x 10	 $\Phi 4 \times 45 \text{mm}$
--------	--	--------	--

STEP 6

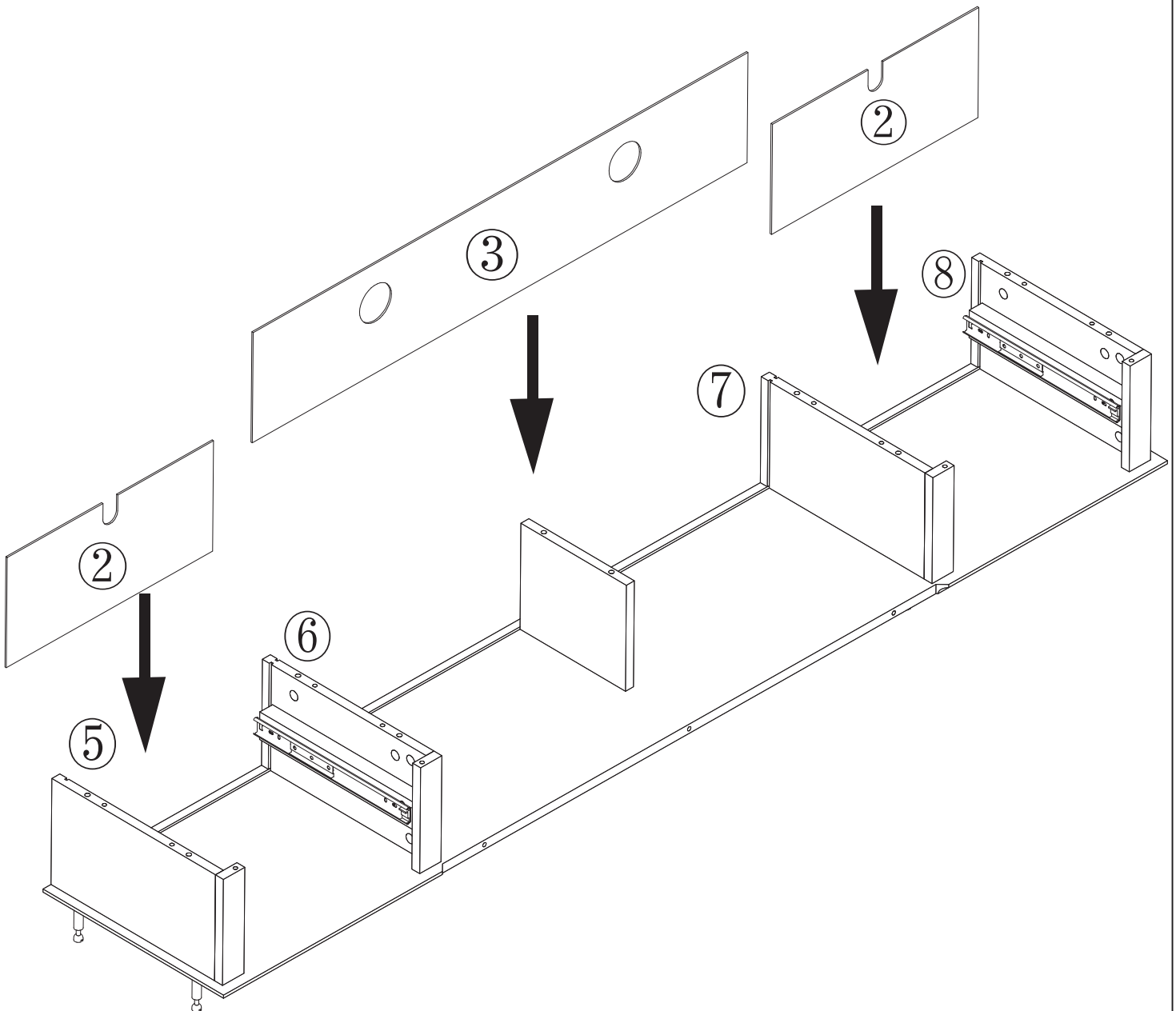
Connect panels (11), (38) and the assembled frame (STEP 4) with the wood dowel (C), then tighten with screw (E).





ASSEMBLY STEPS

STEP 7

Insert panels (2), (3) into the grooves of panels (5), (6), (7), (8).

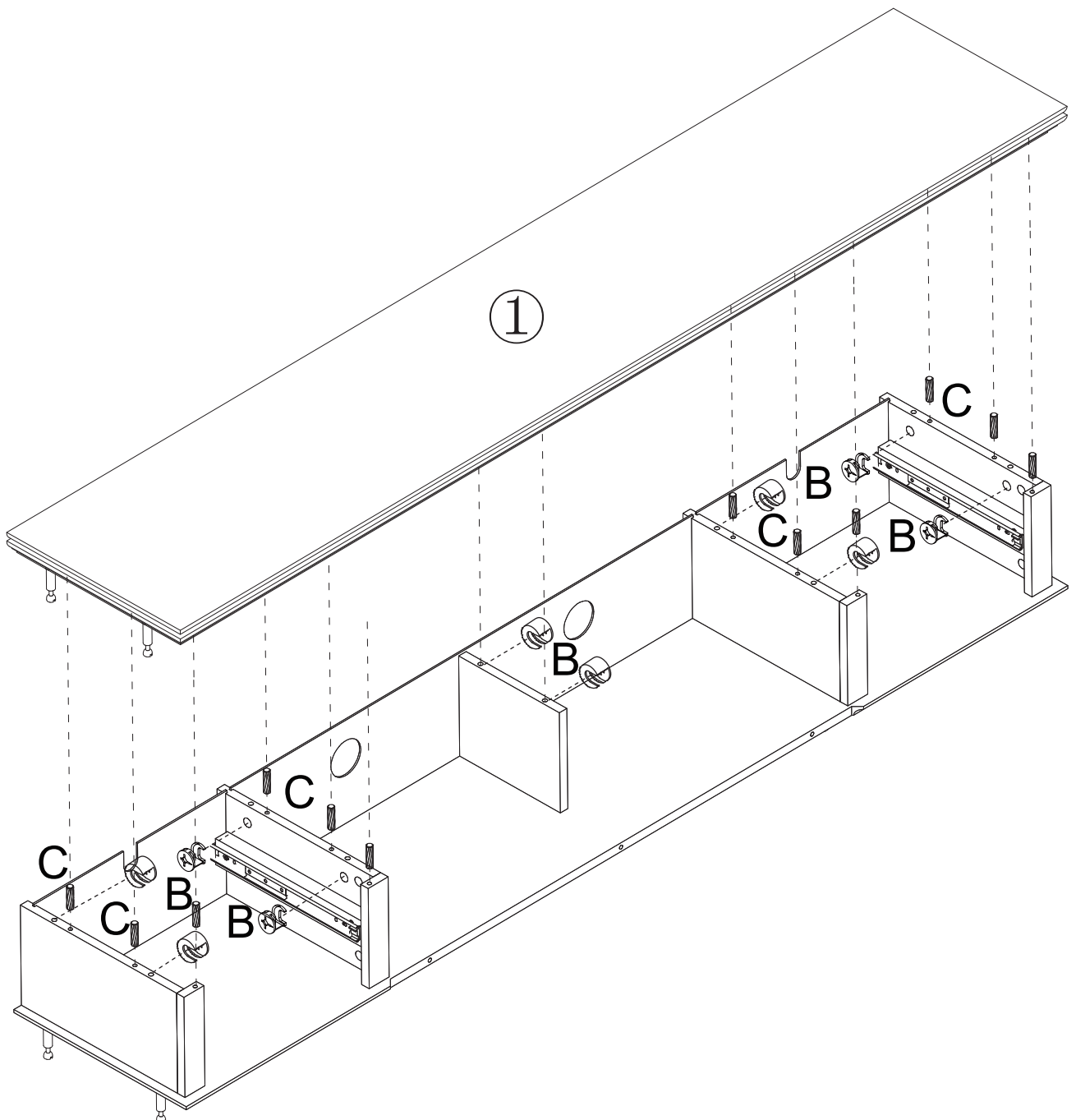


ASSEMBLY STEPS


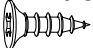

B x 10		$\Phi 15 \times 10 \text{mm}$	C x 12		$\Phi 6 \times 30 \text{mm}$
--------	---	-------------------------------	--------	---	------------------------------

STEP 8

Connect panel (1) and the assembled frame (STEP 6) with the wood dowel (C), then tighten with cam lock (B).

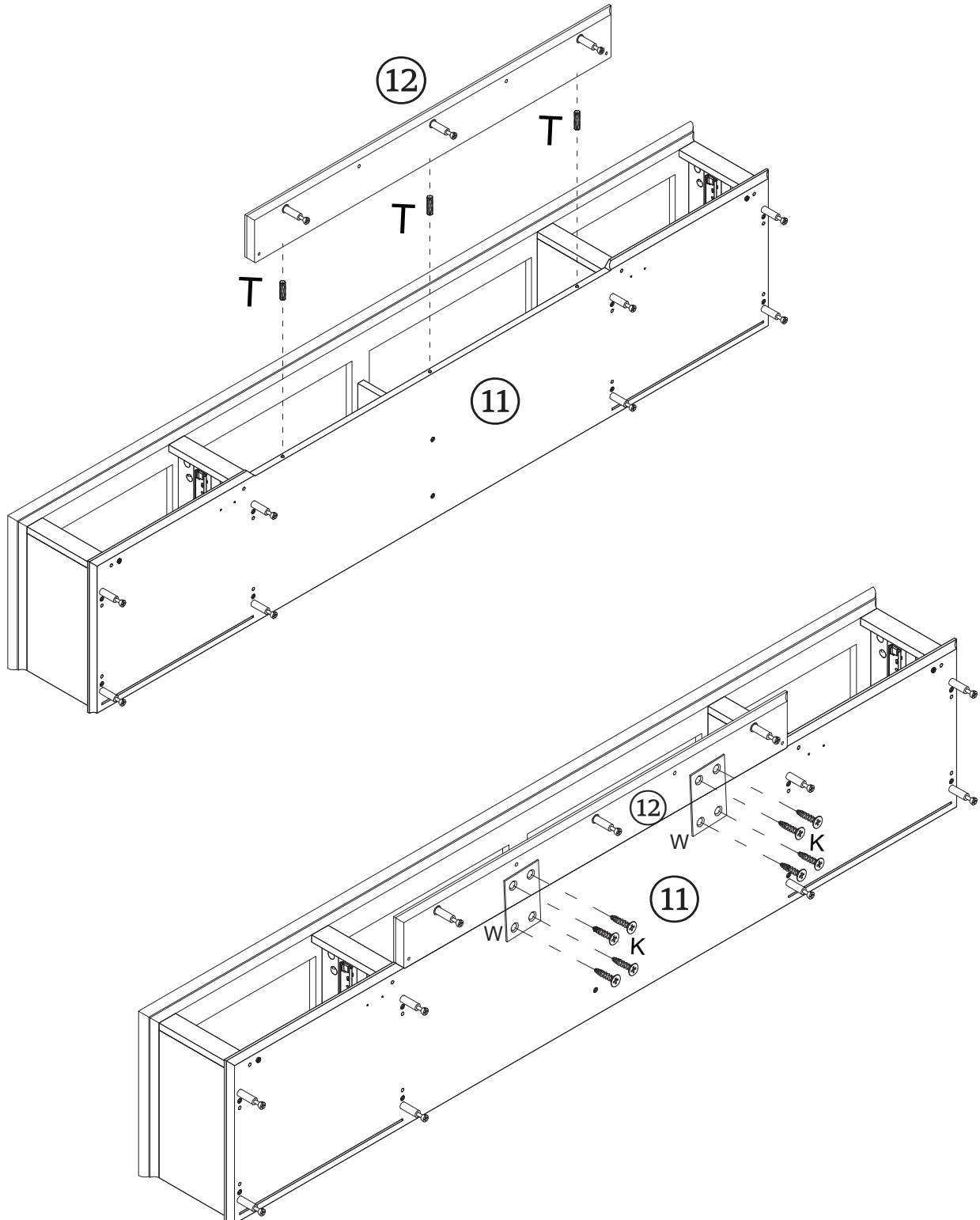


ASSEMBLY STEPS

T x 3		$\Phi 8 \times 40 \text{mm}$	K x 8		$\Phi 3 \times 12 \text{mm}$	W x 2	
-------	---	------------------------------	-------	---	------------------------------	-------	--

STEP 9

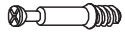
1. Connect panel (12) and the assembled frame (STEP 7) with the wood dowel (T).
2. Fix the bracket (W) to panels (11), (12) with screw (K).



ASSEMBLY STEPS

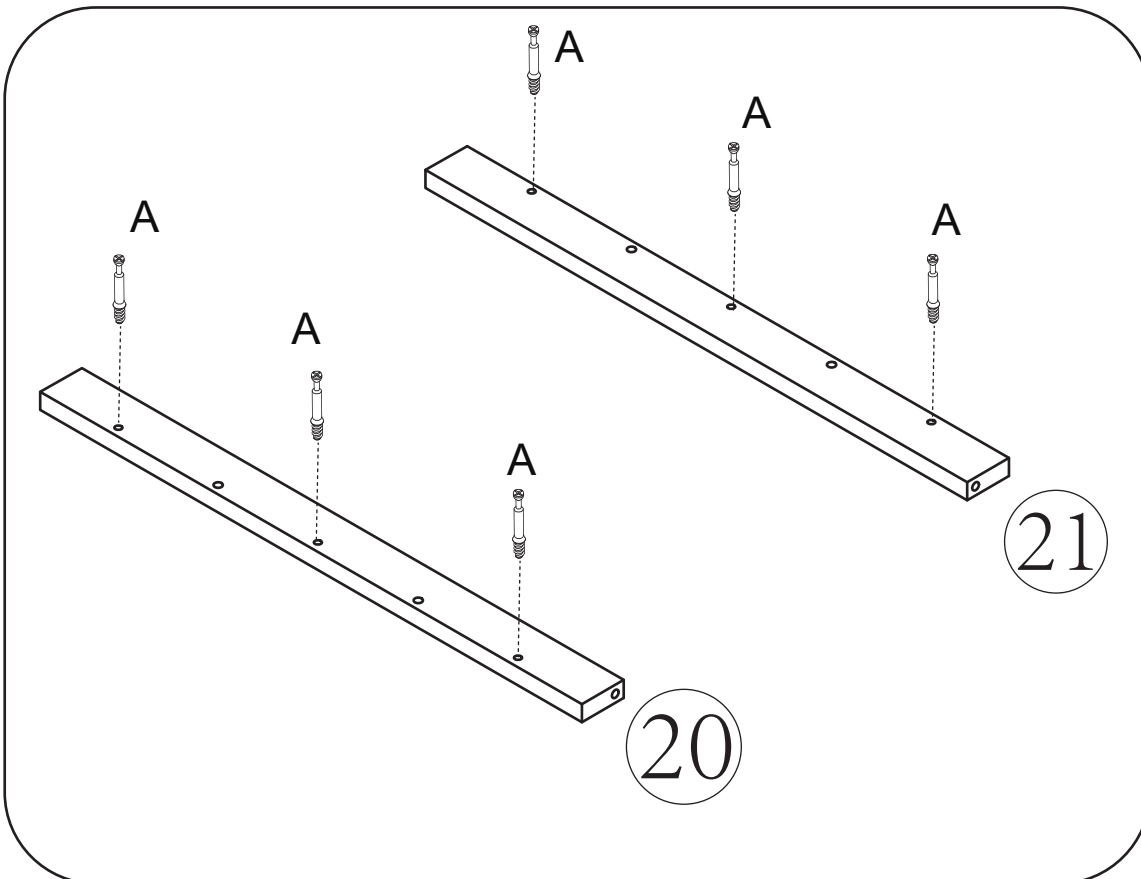
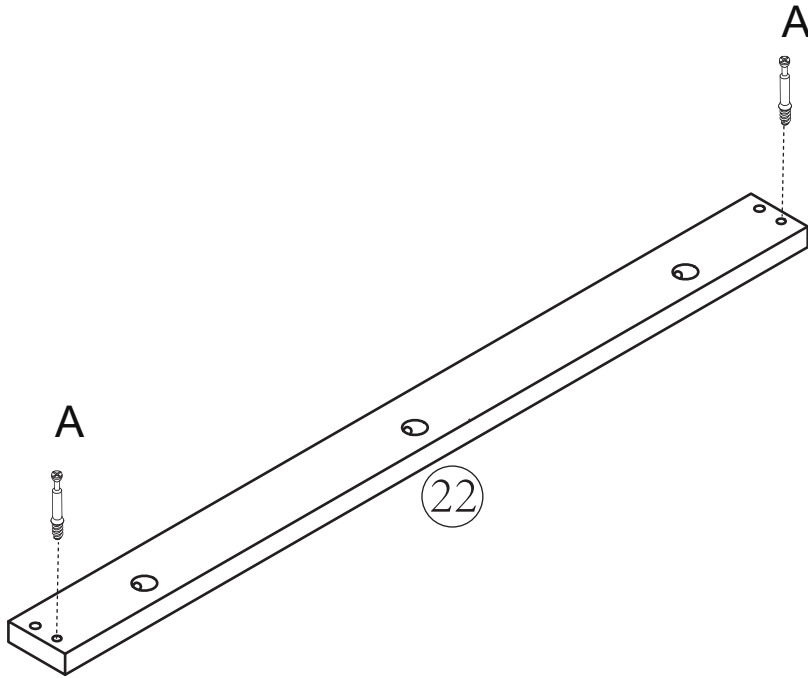
A x 14

Φ6x35mm




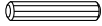
STEP 10

Fix the cam bolt (A) into wood strips (20), (21), (22).



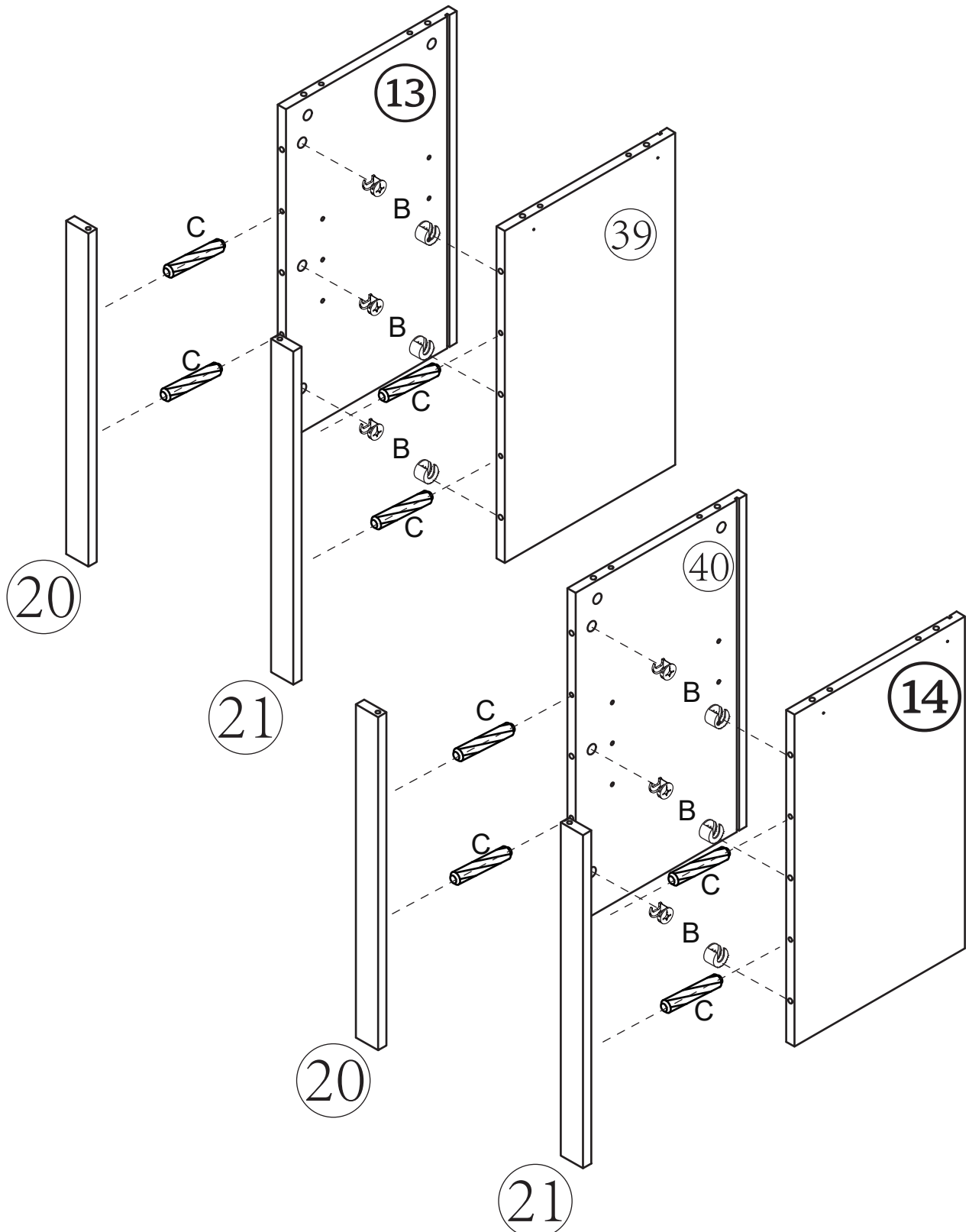
x2

ASSEMBLY STEPS

B x 12	 $\Phi 15 \times 10 \text{mm}$	C x 8	 $\Phi 6 \times 30 \text{mm}$
--------	---	-------	--

STEP 11

Connect panels (13), (14), (39), (40) and wood strips (20), (21) with the wood dowel (C), then tighten with cam lock (B).

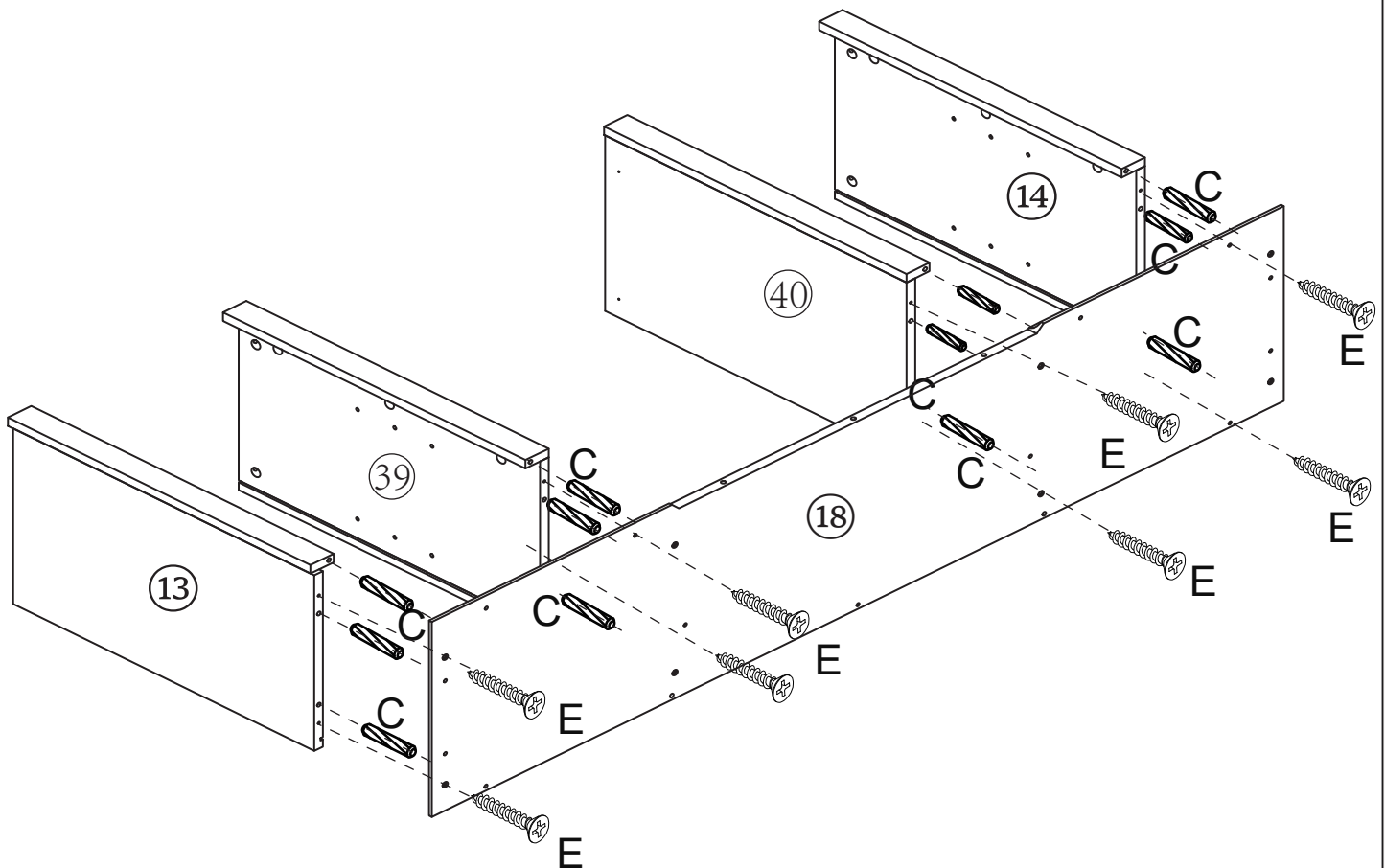


ASSEMBLY STEPS

C x 12	$\Phi 6 \times 30 \text{mm}$ 	E x 8	$\Phi 4 \times 45 \text{mm}$ 
--------	---	-------	---

STEP 12

Connect panel (18) and the assembled frame (STEP 11) with the wood dowel (C), then tighten with screw (E).



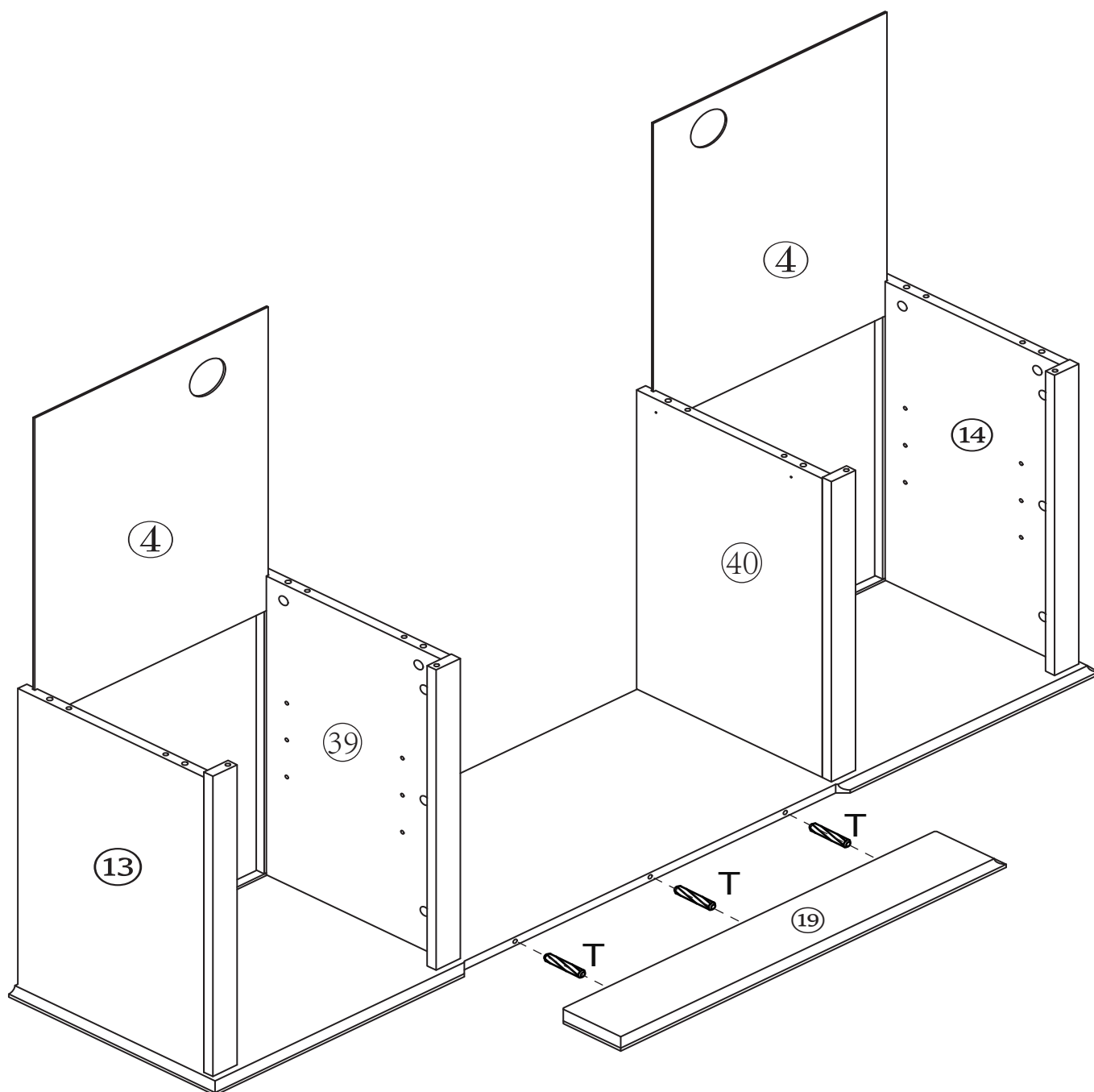
ASSEMBLY STEPS

T x 3

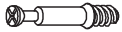
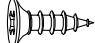

Φ8x40mm

STEP 13

1. Connect panel (19) and the assembled frame (STEP 12) with the wood dowel (T).
2. Insert panels (4) into the grooves of panels (13), (14), (39), (40).

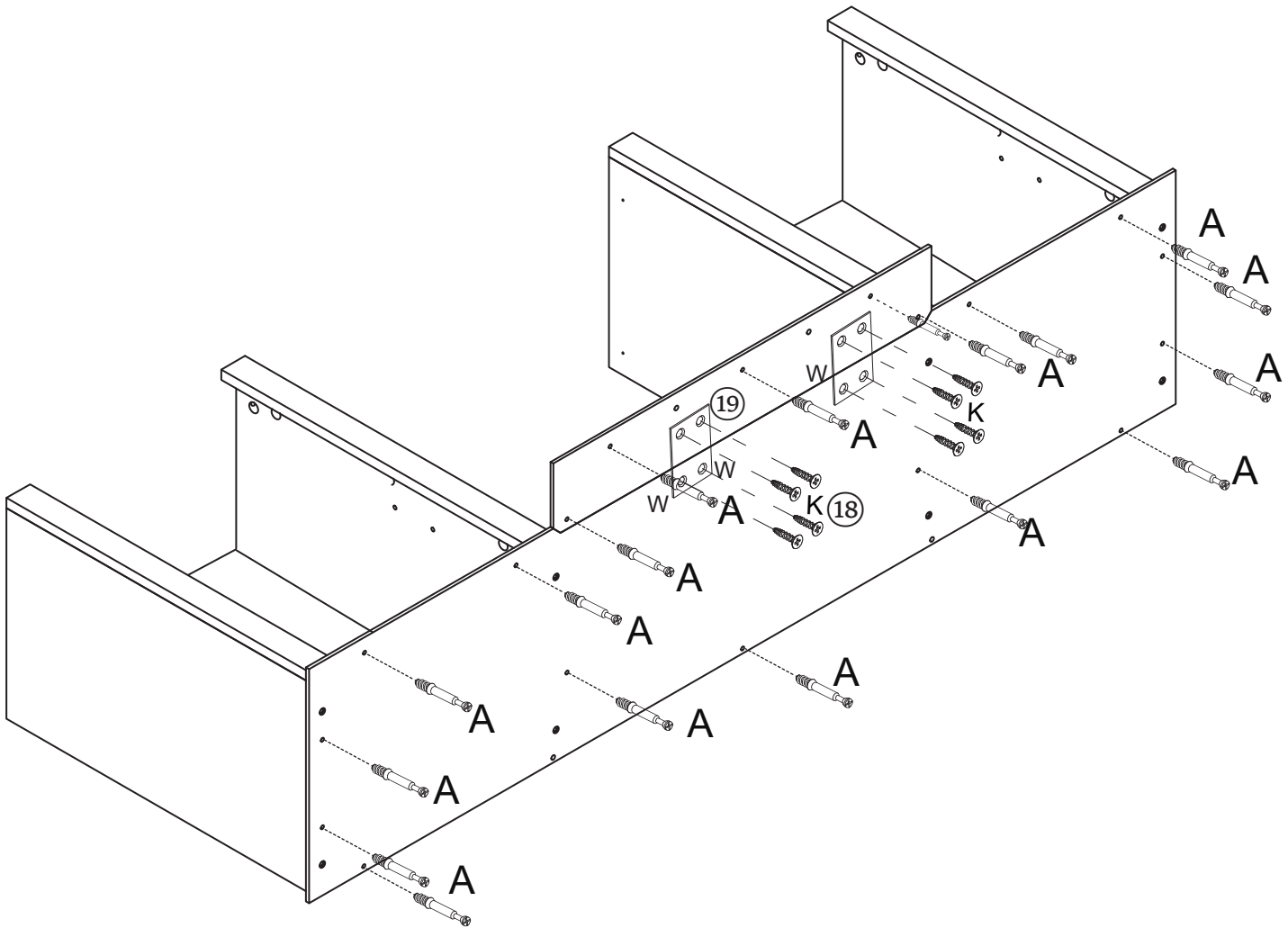


ASSEMBLY STEPS

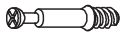


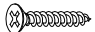
A x 18	$\Phi 6 \times 35 \text{mm}$ 	K x 4	$\Phi 3 \times 12 \text{mm}$ 	W x 2	
--------	---	-------	---	-------	--

STEP 14

1. Fix the cam bolt (A) into panels (18), (19).
2. Fix the bracket (W) to panels (18), (19) with screw (K).

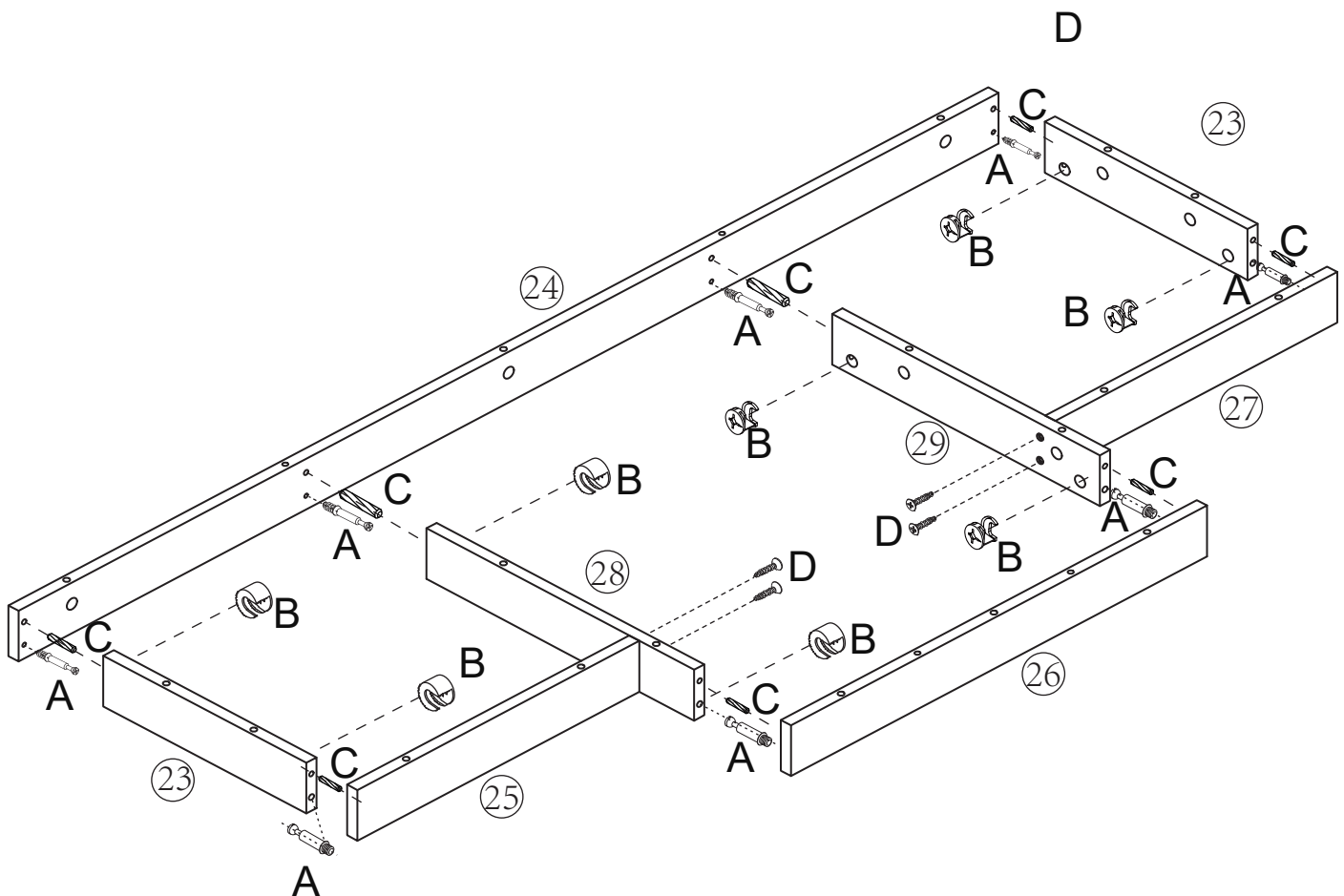


ASSEMBLY STEPS

A x 8	$\Phi 6 \times 35 \text{mm}$ 	B x 8	$\Phi 15 \times 10 \text{mm}$ 	C x 8	$\Phi 6 \times 30 \text{mm}$ 	D x 4	$\Phi 4 \times 35 \text{mm}$ 
-------	---	-------	--	-------	--	-------	---

STEP 15

1. Fix the cam bolt (A) into panels (24), (25), (26), (27).
2. Connect panels (23), (28), (29) with the wood dowel (C), then tighten with cam lock (B) and screw (D).



ASSEMBLY STEPS

B x 18



Φ15x10mm

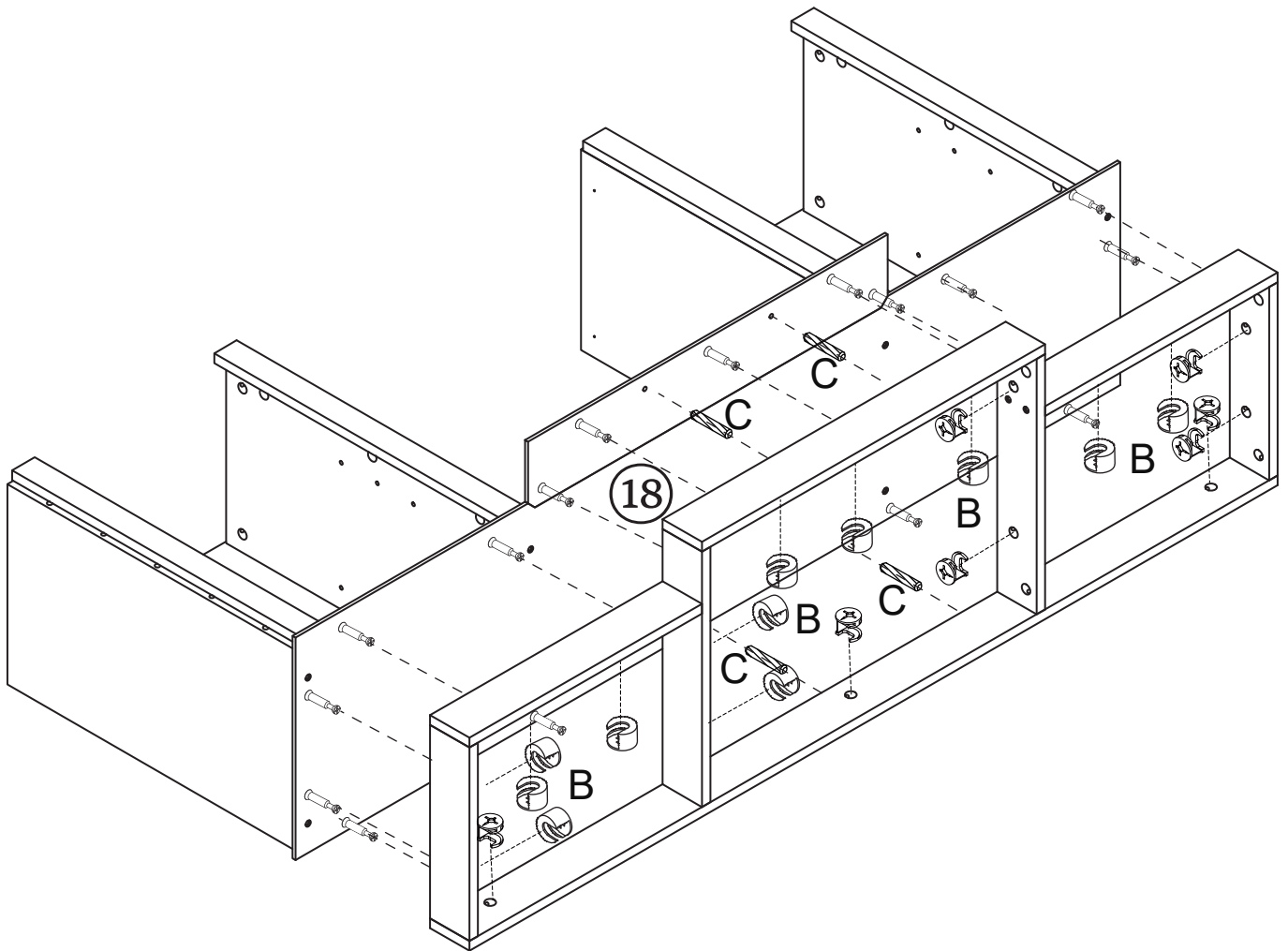
C x 4



Φ6x30mm

STEP 16

Connect bottom panel (18) and the assembled frame (STEP 15) with the wood dowel (C), then tighten with cam lock (B).



ASSEMBLY STEPS

B x 2



Φ15x10mm

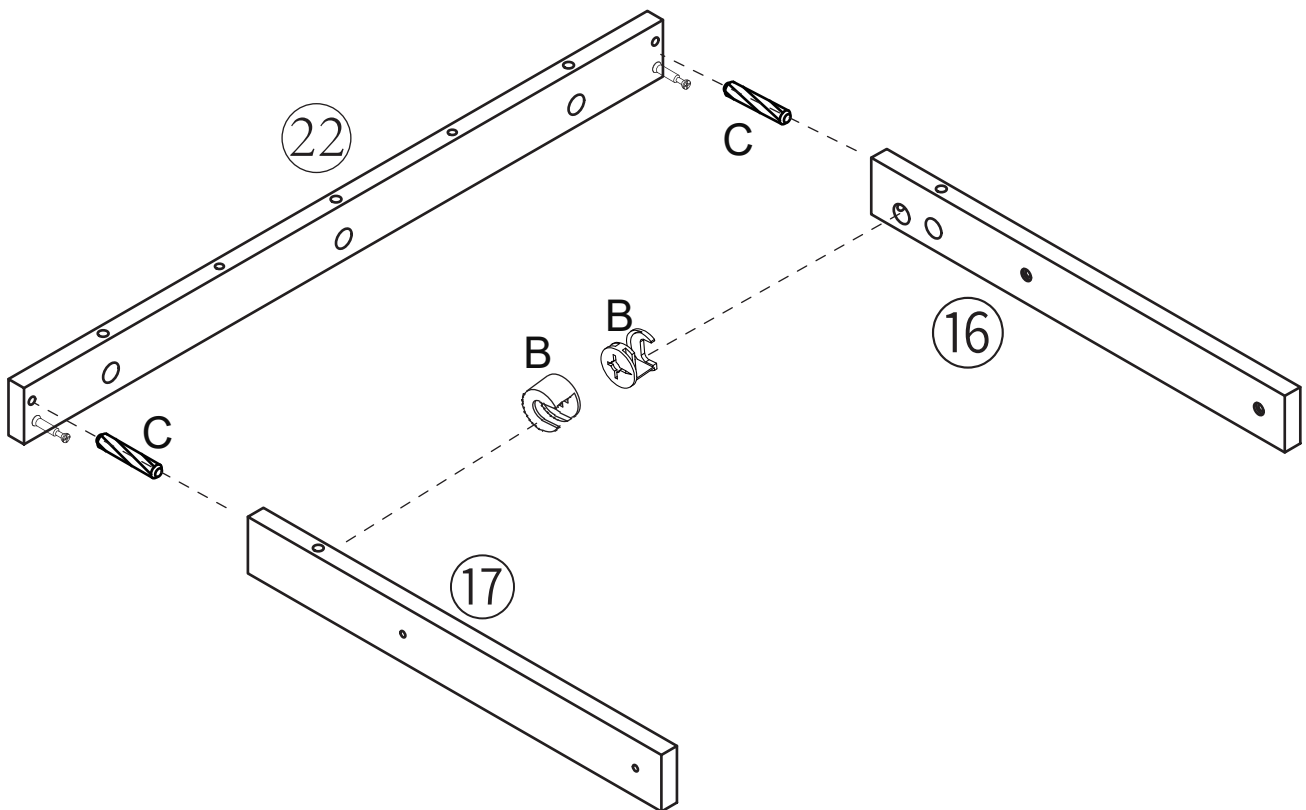
C x 2



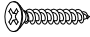
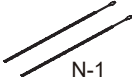
Φ6x30mm

STEP 17

Connect wood strips (16), (17), (22) with the wood dowel (C), then tighten with cam lock (B).

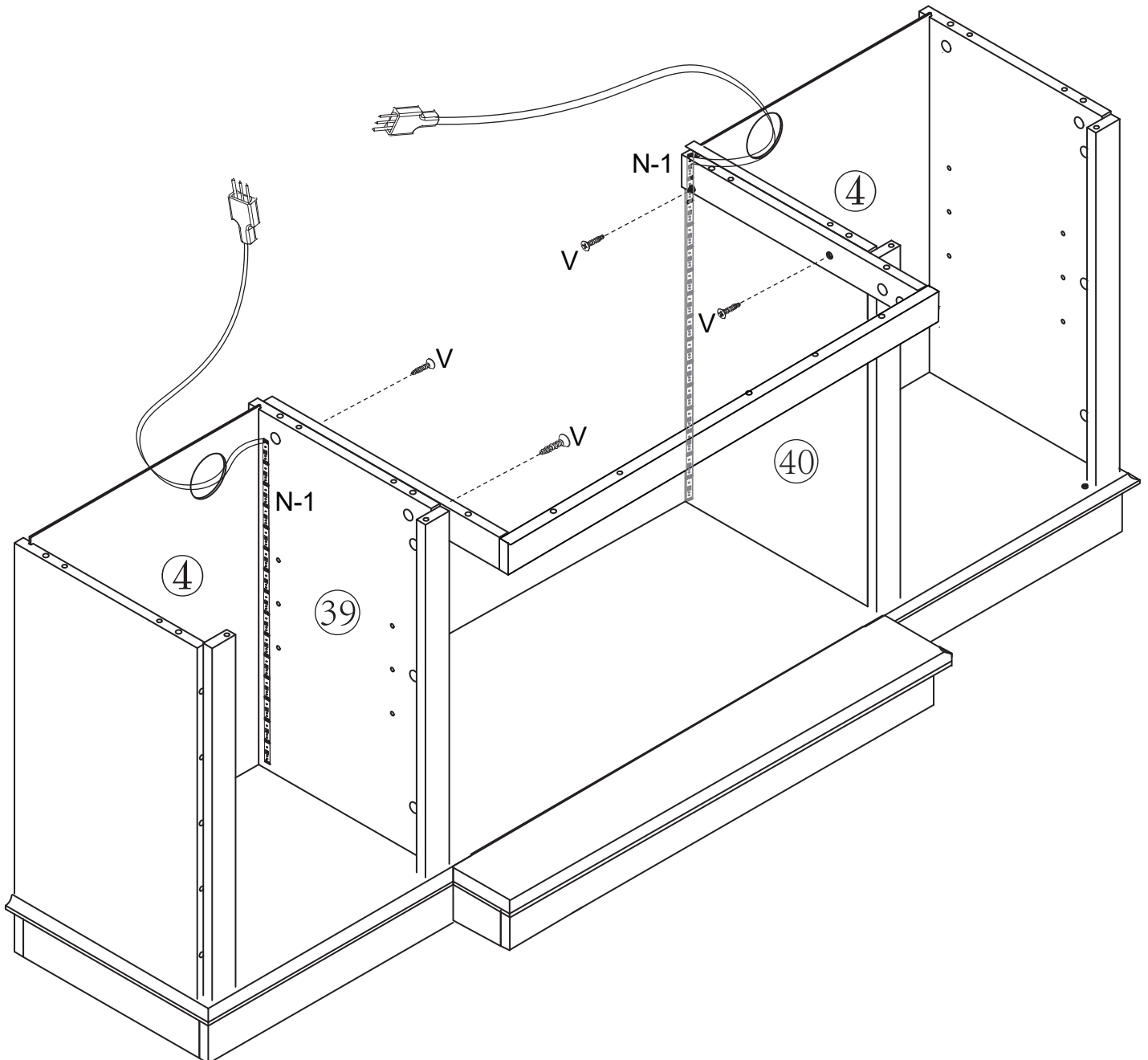


ASSEMBLY STEPS


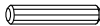
V x 4	 $\Phi 4 \times 25 \text{mm}$	N x 1	 N-1
-------	--	-------	---

STEP 18

1. Connect the assembled frame (STEP 16) and the other assembled frame (STEP 17) with screw (V).
2. Peel the adhesive backing from the LED strip light (N) and through the holes of panels (4), then stick to panels (39), (40) respectively.

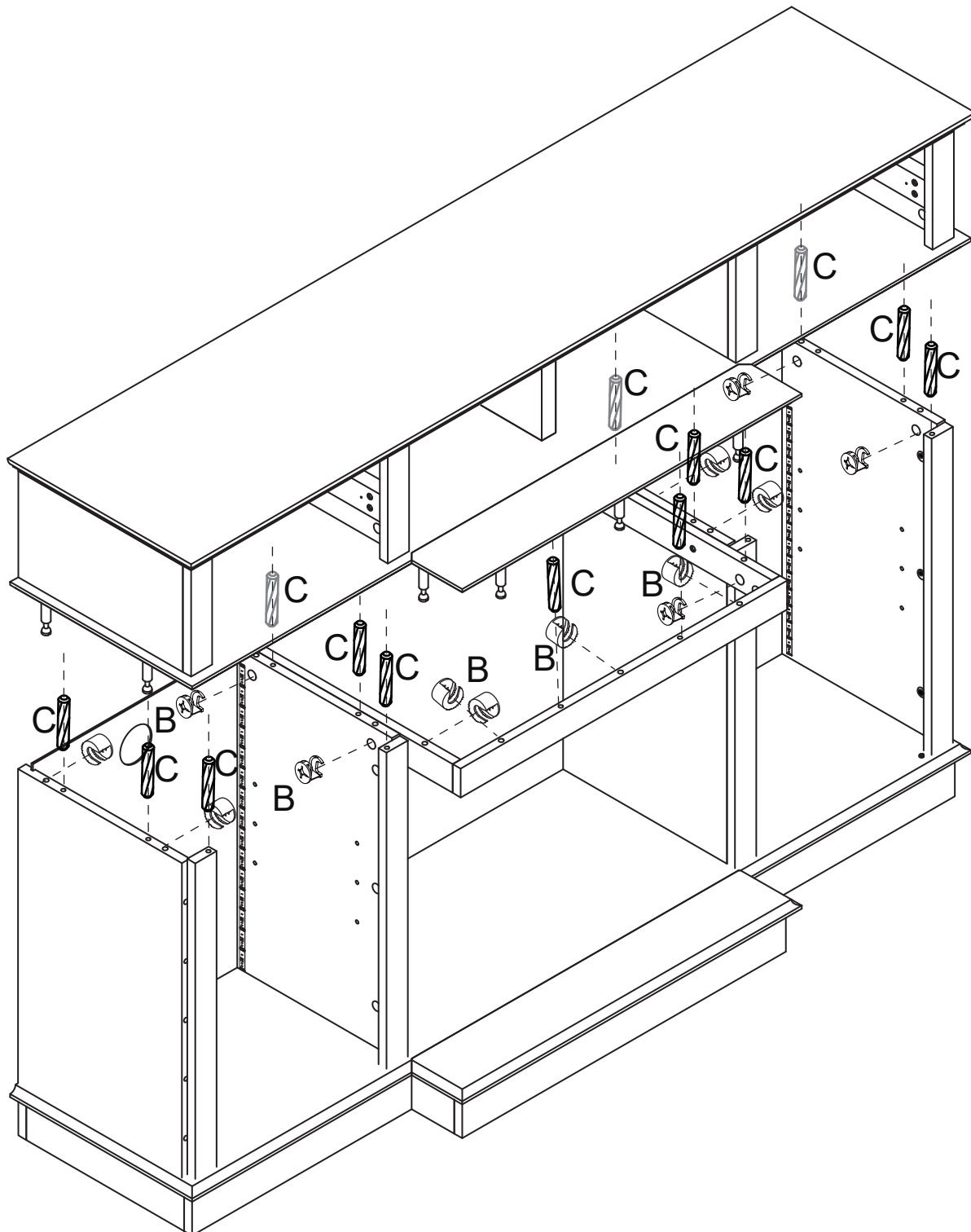


ASSEMBLY STEPS

B x 13	 $\Phi 15 \times 10 \text{mm}$	C x 14	 $\Phi 6 \times 30 \text{mm}$
--------	---	--------	--

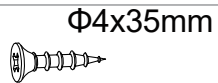
STEP 19

Connect the assembled frame (STEP 9) and the other assembled frame (STEP 18) with the wood dowel (C), then tighten with cam lock (B).



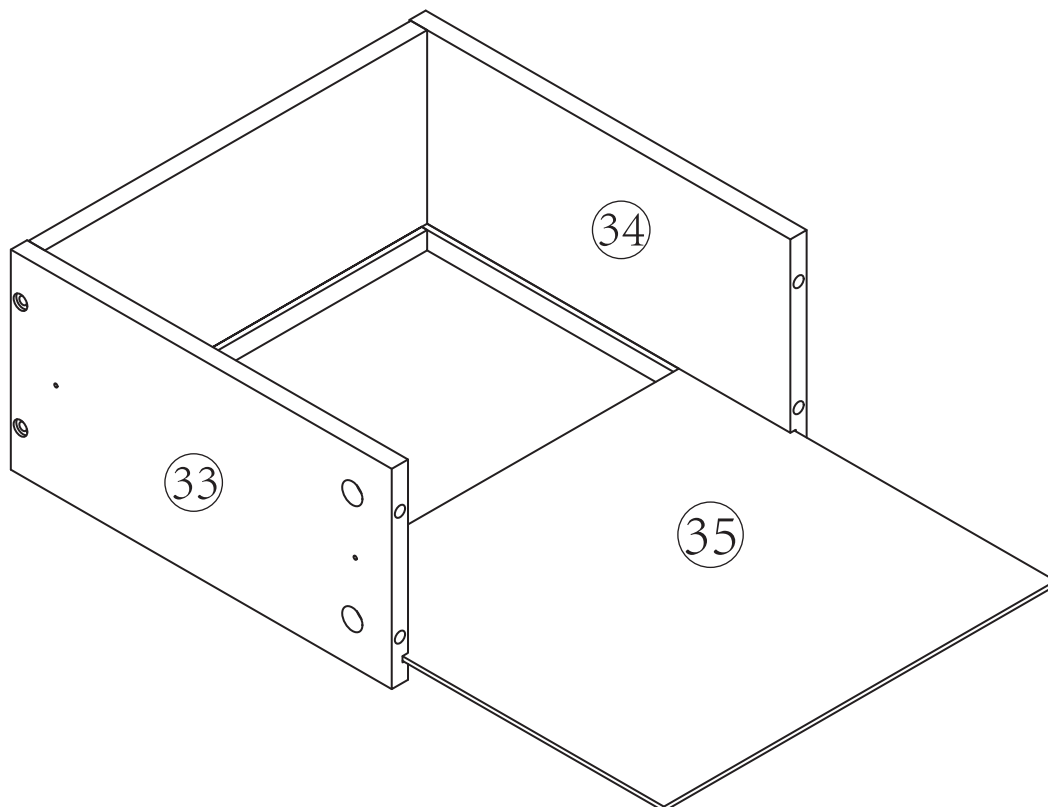
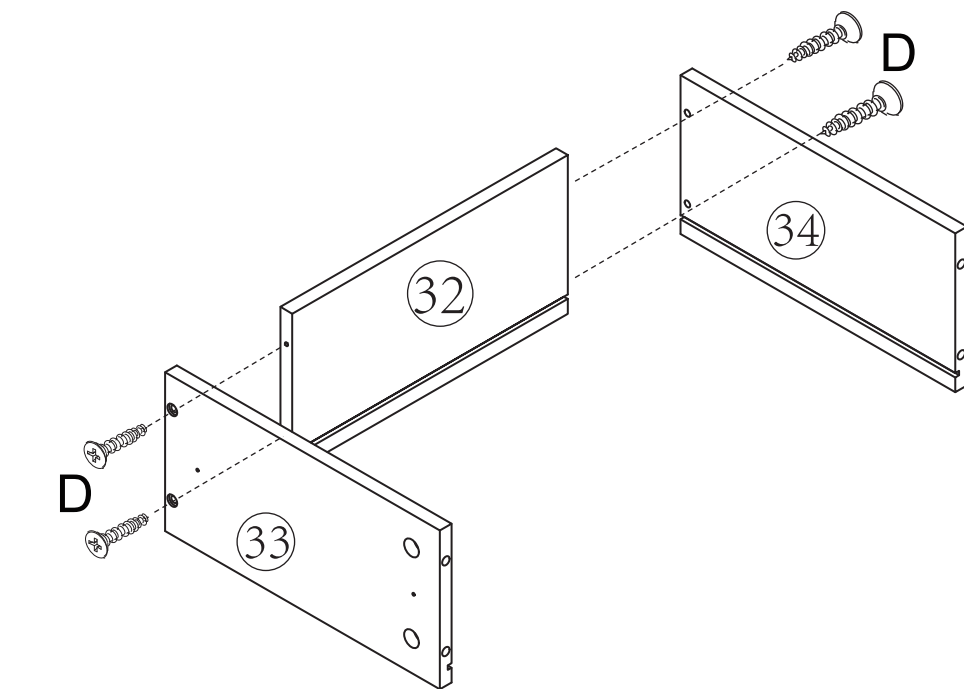
ASSEMBLY STEPS

D x 8

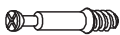


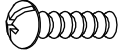


STEP 20

1. Connect panels (32), (33) and (34), then tighten with screw (D).
2. Insert panel (35) into the grooves of panels (33), (34).

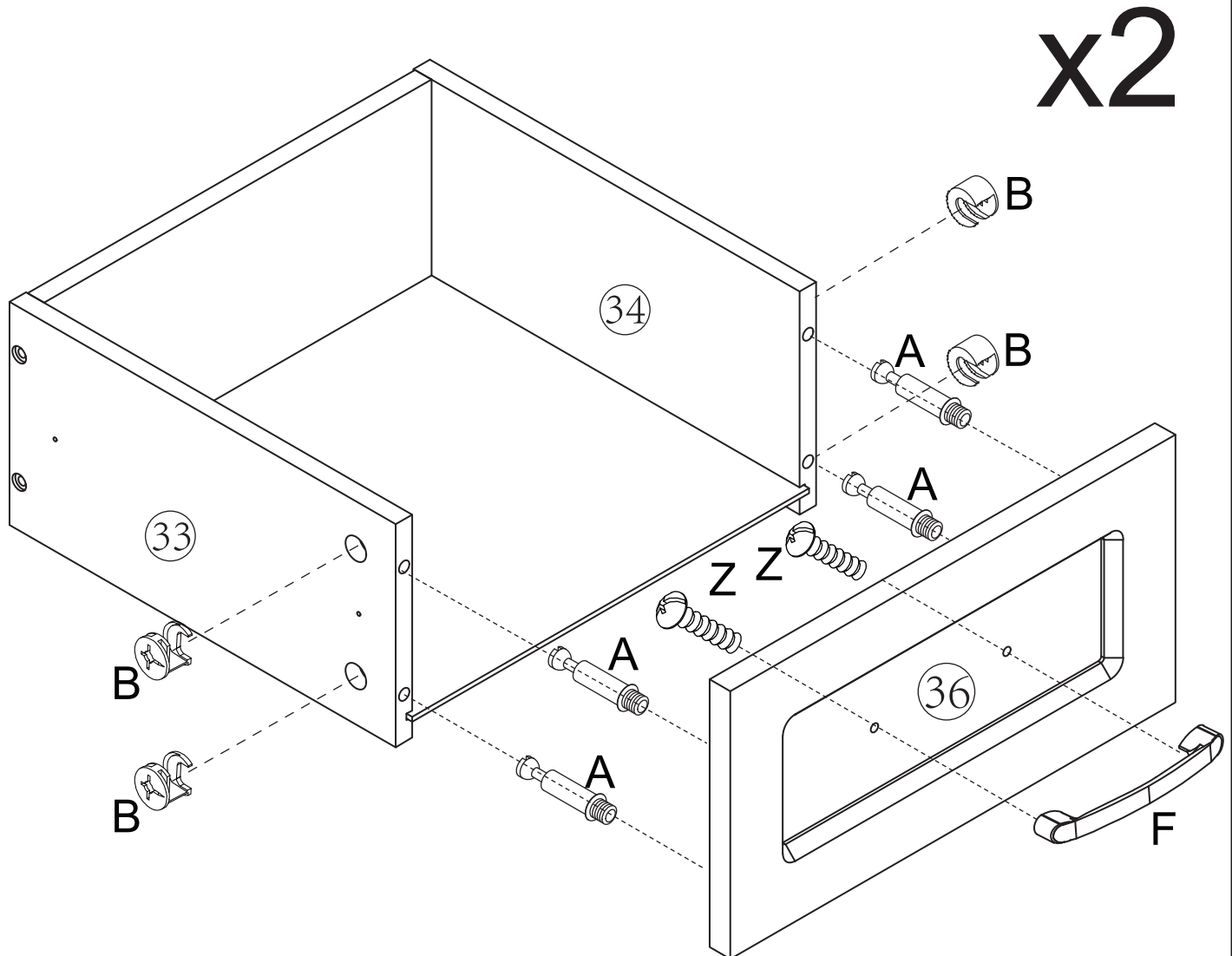


ASSEMBLY STEPS

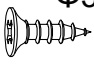

A x 8	 $\Phi 6 \times 35 \text{mm}$	B x 8	 $\Phi 15 \times 10 \text{mm}$	F x 2		Z x 4	 $\Phi 4 \times 10 \text{mm}$
-------	--	-------	---	-------	--	-------	--

STEP 21

1. Fix cam bolt (A) to panels (36).
2. Fix handle (F) to panels (36) with screw (Z).
3. Connect panels (33), (34) and (36), then tighten them with cam lock (B).

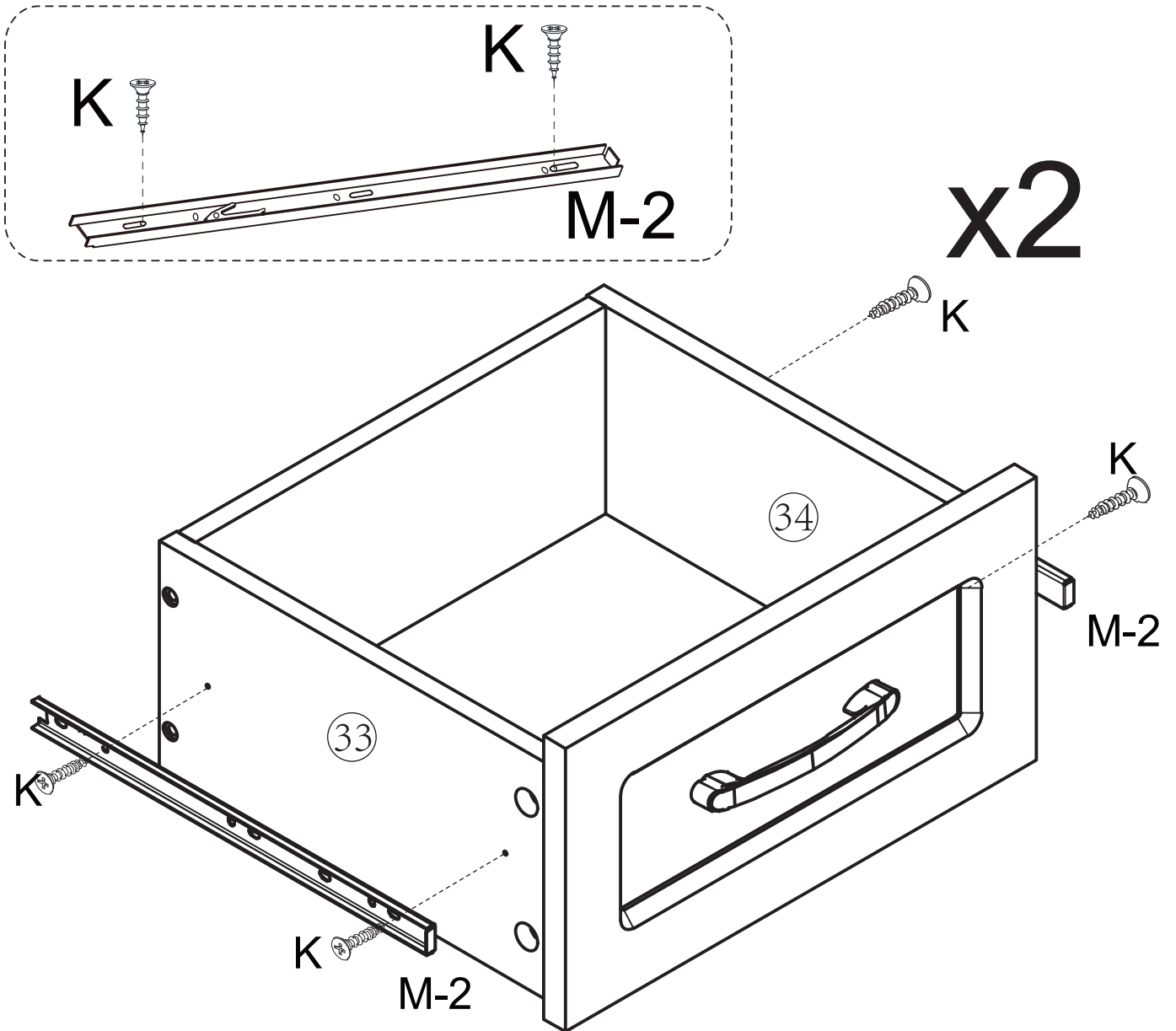



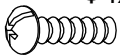
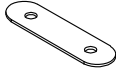

ASSEMBLY STEPS

K x 8	$\Phi 3 \times 12 \text{mm}$ 	M x 2	 M-2
-------	---	-------	--

STEP 22

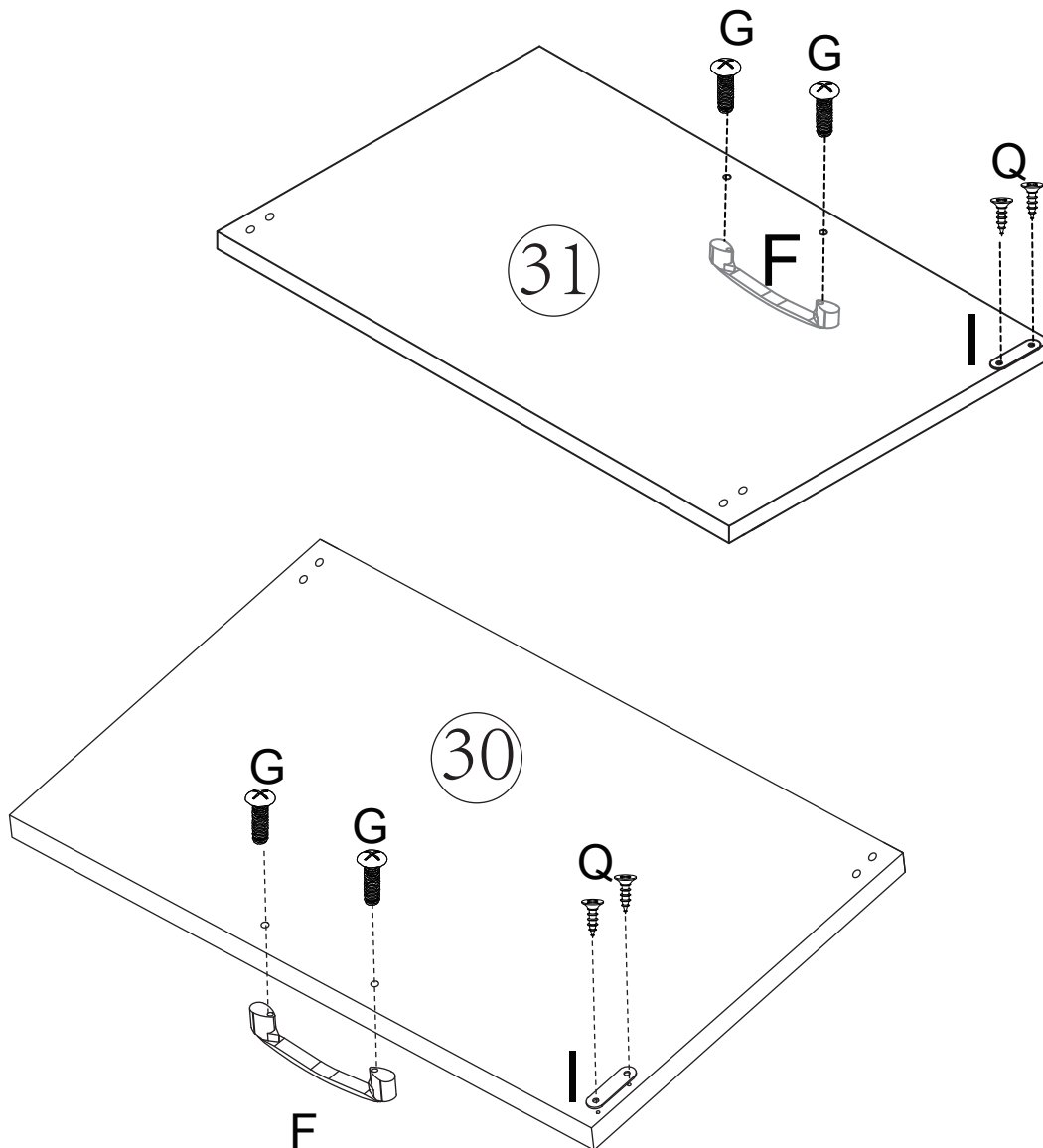
Fix the double-section slide rail (M-2) to panels (33), (34) with screw (K).



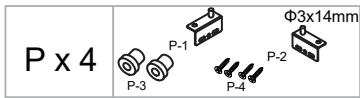
F x 2		G x 4	 $\Phi 4 \times 18 \text{mm}$	I x 2		Q x 4	 $\Phi 3 \times 14 \text{mm}$
-------	---	-------	--	-------	--	-------	--

STEP 23

1. Fix handle (F) to panels (30), (31) with screw (G).
2. Fix magnetic iron sheet (I) to panels (30), (31) with screw (Q).

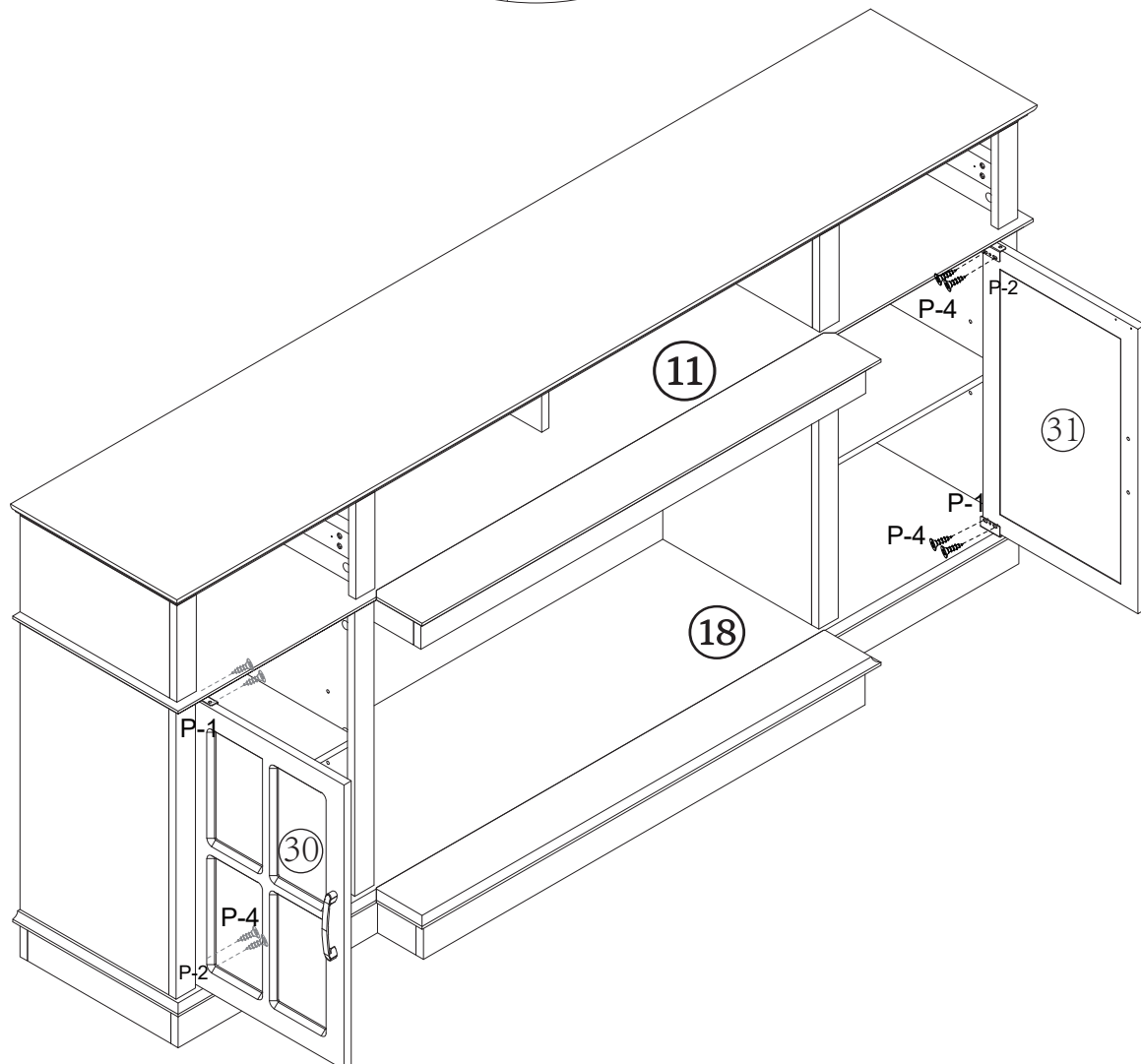
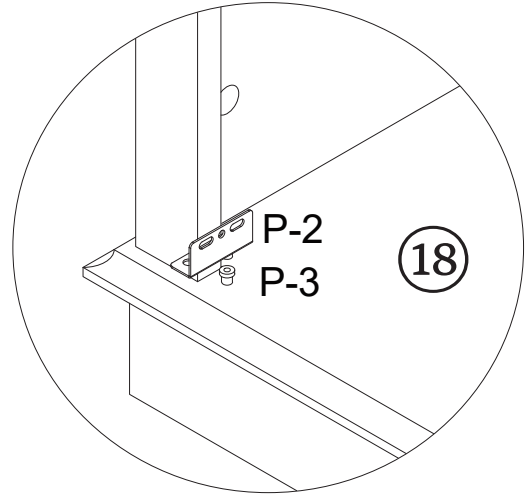
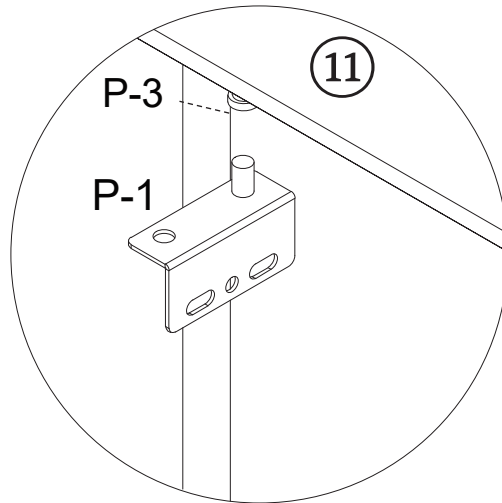


ASSEMBLY STEPS



STEP 24

1. Insert the plastic washer (P-3) into the panels (11), (18).
2. Fix hinges (P-1), (P-2) to panels (30), (31) with screw (P-4).

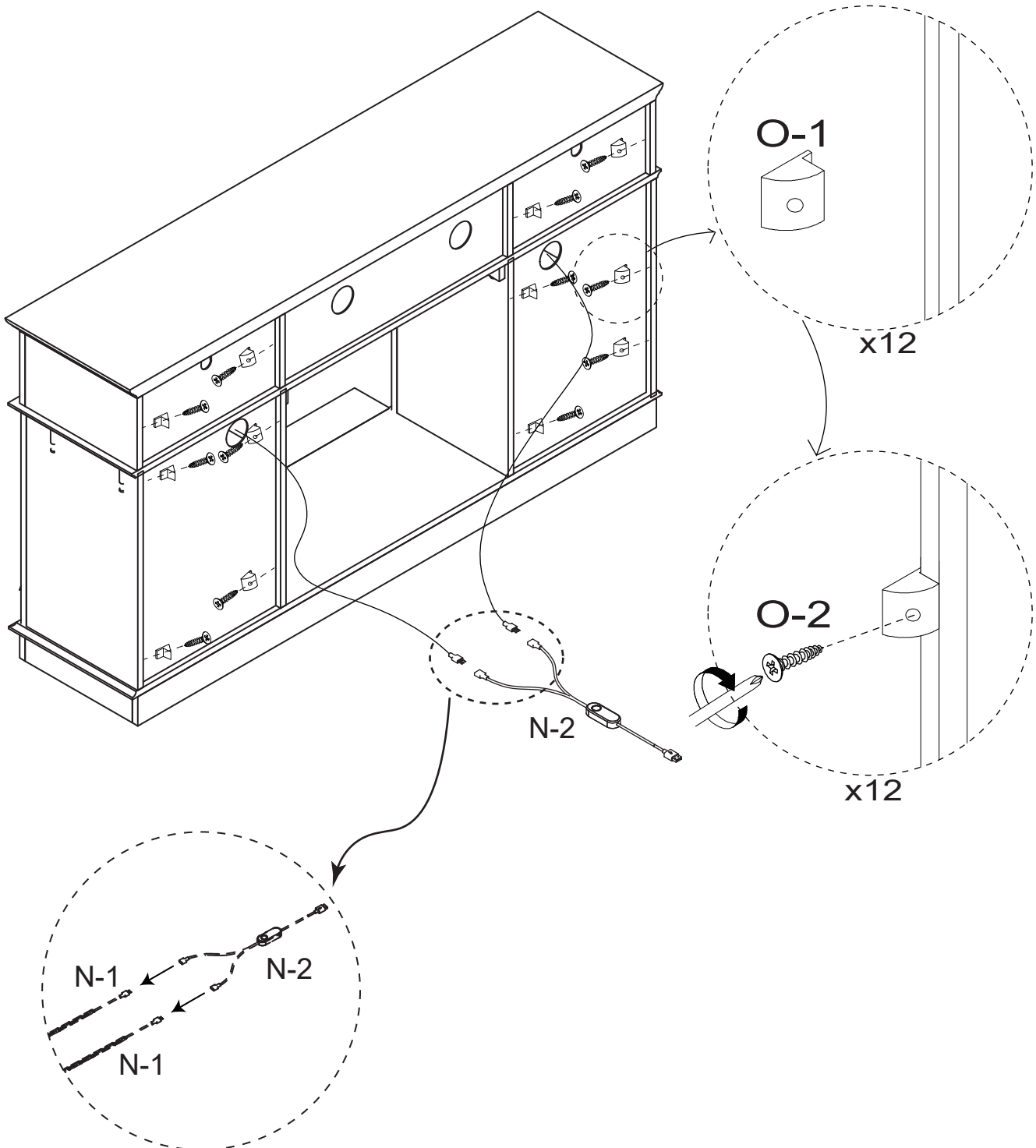


ASSEMBLY STEPS

O x 2	O-1	$\Phi 3 \times 14 \text{mm}$ O-2	N x 1	N-1 N-2
-------	-----	-------------------------------------	-------	------------

STEP 25

1. Insert the back panel wedge (O-1) into the gap of cabinet back panel and tighten them with screw (O-2).
2. Connect installed LED strip lights (N-1) to the connection plug of the LED strip light (N-2)



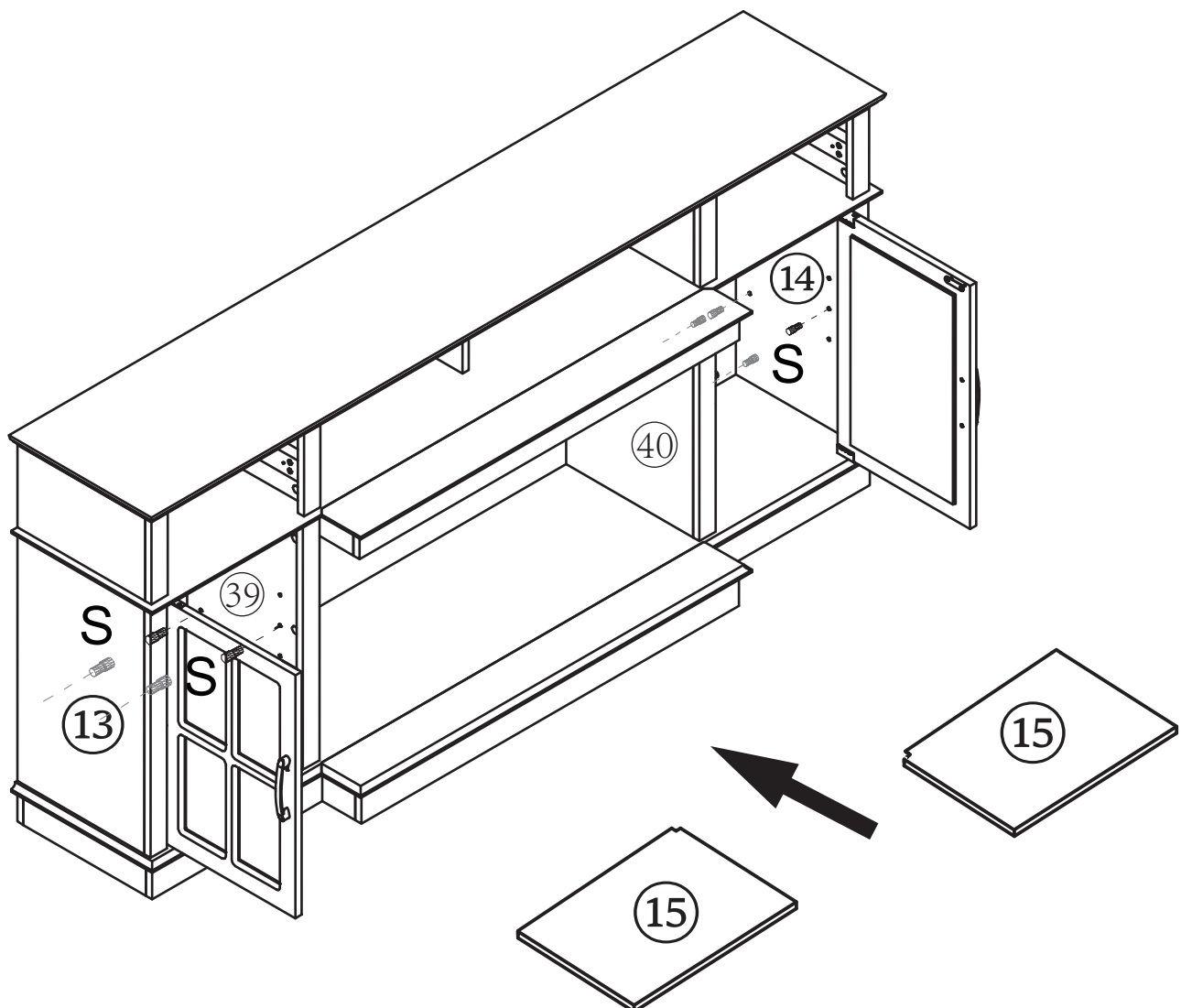
ASSEMBLY STEPS

S x 4



STEP 26

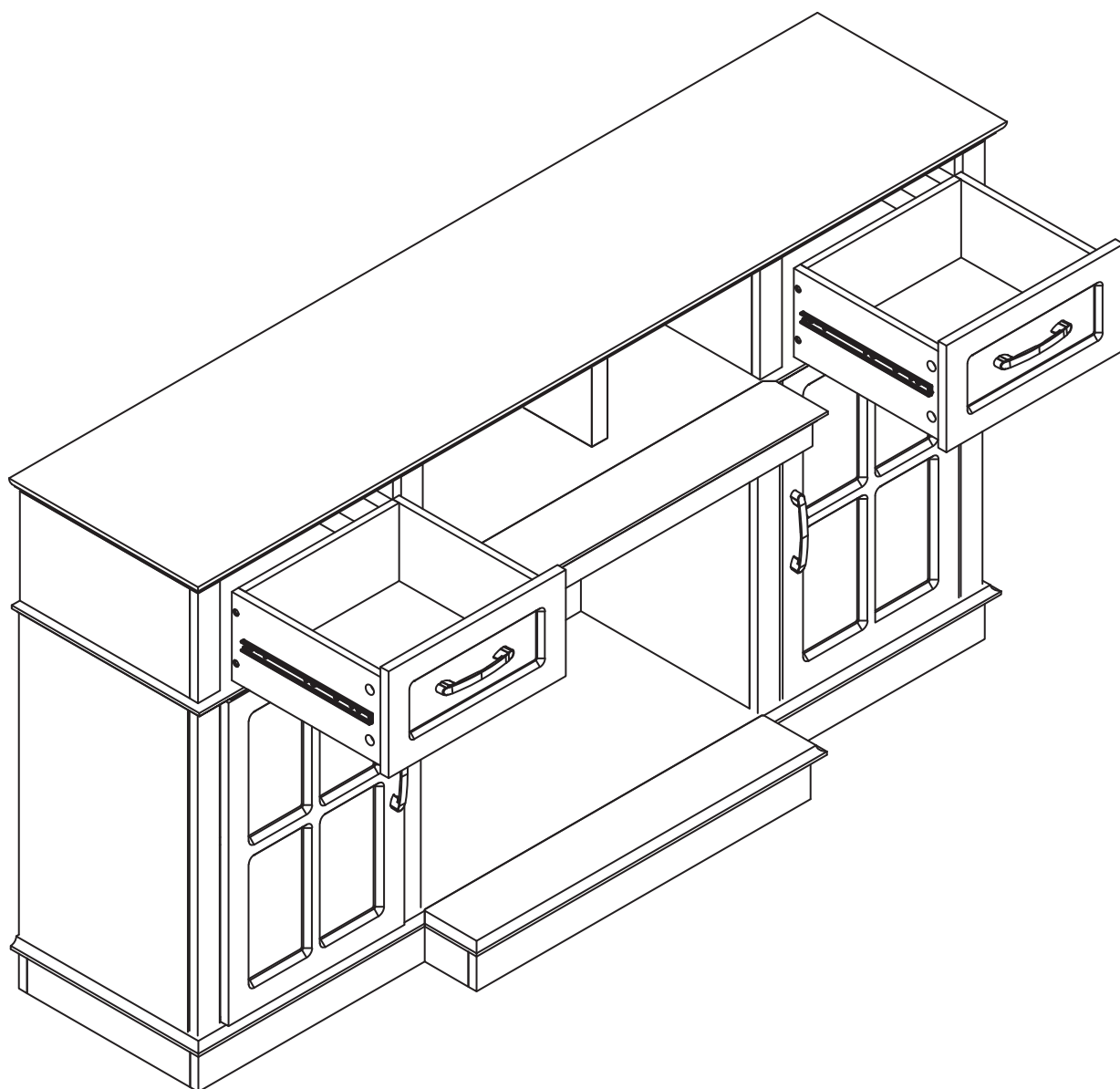
1. Fix the shelf support (S) into the panels (13), (14), (39), (40).
2. Put the adjustable shelf (15) into the cabinet (STEP 19).



ASSEMBLY STEPS

STEP 27

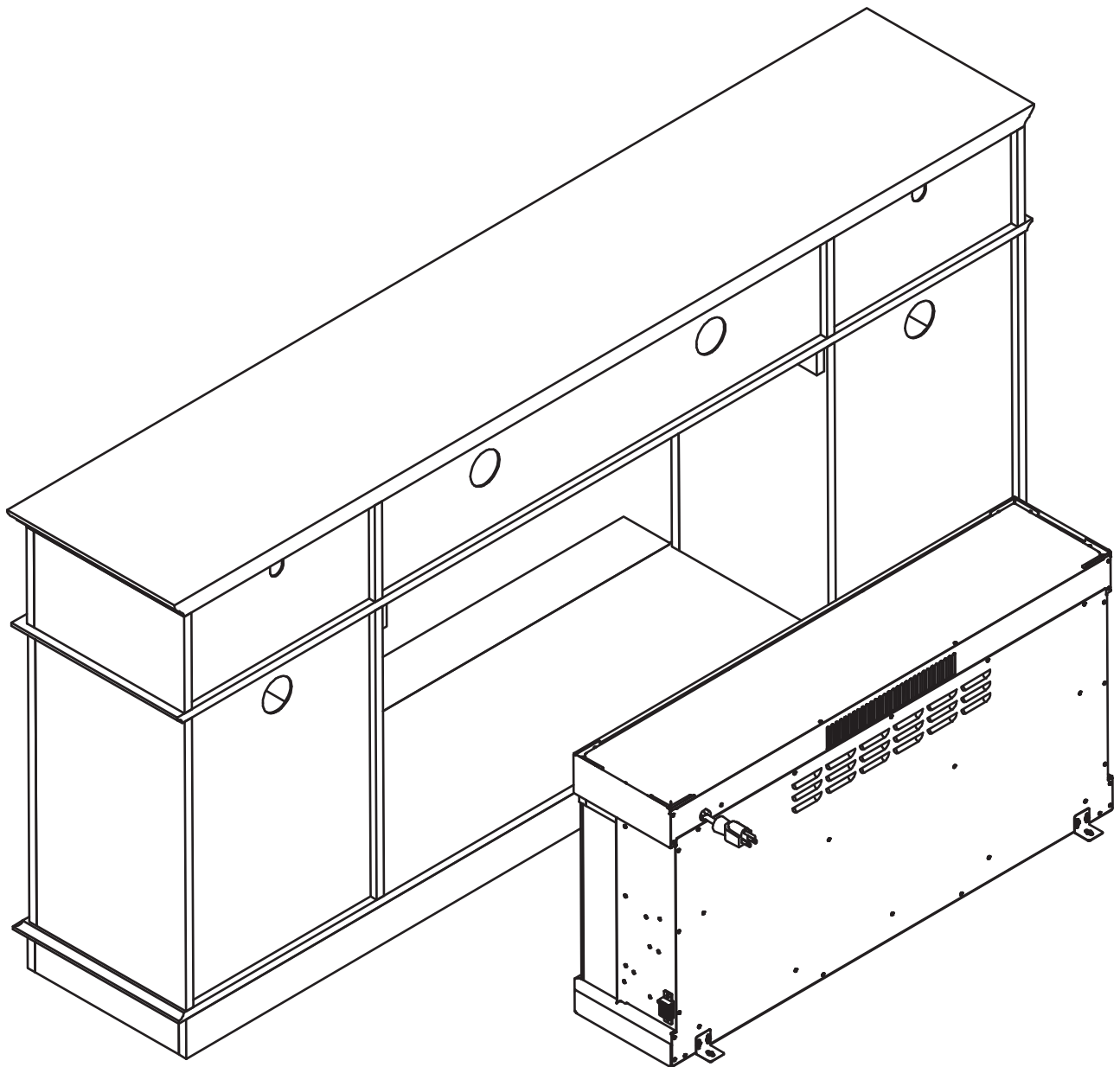
Align the slides on the drawer and cabinet, and then gently push the drawer into the cabinet.



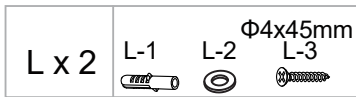
ASSEMBLY STEPS

STEP 28

Put the fireplace cabinet (STEP 27) into the frame from the back.



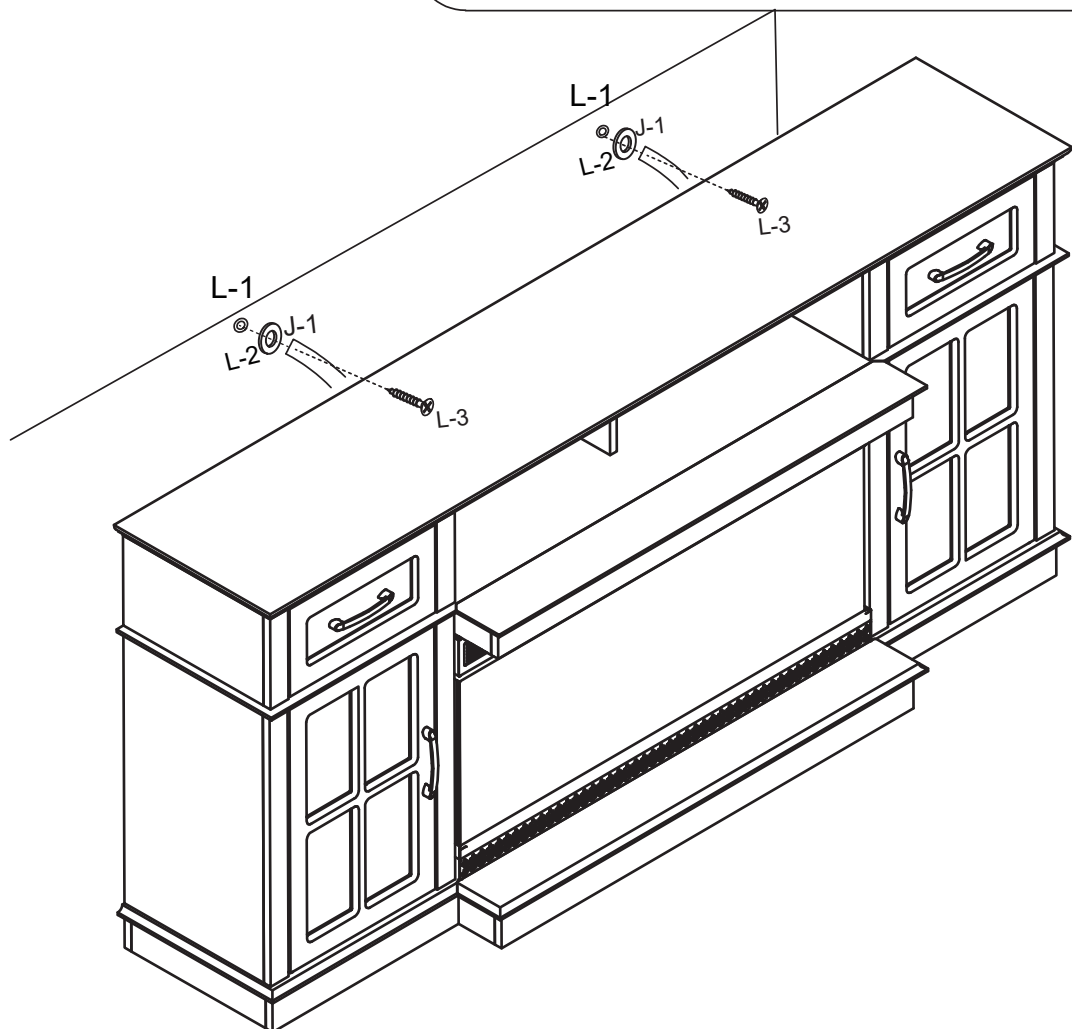
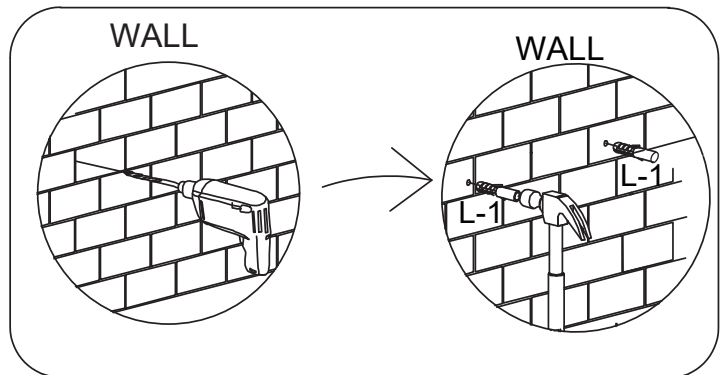
ASSEMBLY STEPS



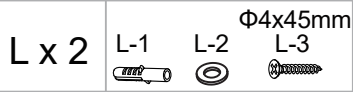
STEP 29

(Wall-locking method of the anti-tipping strap)

Drill two holes in the wall, embed the plastic anchor (L-1) and then use screw (L-3) to pass through the washer (L-2) and anti-tipping strap (J-1) to fix the cabinet on the wall.



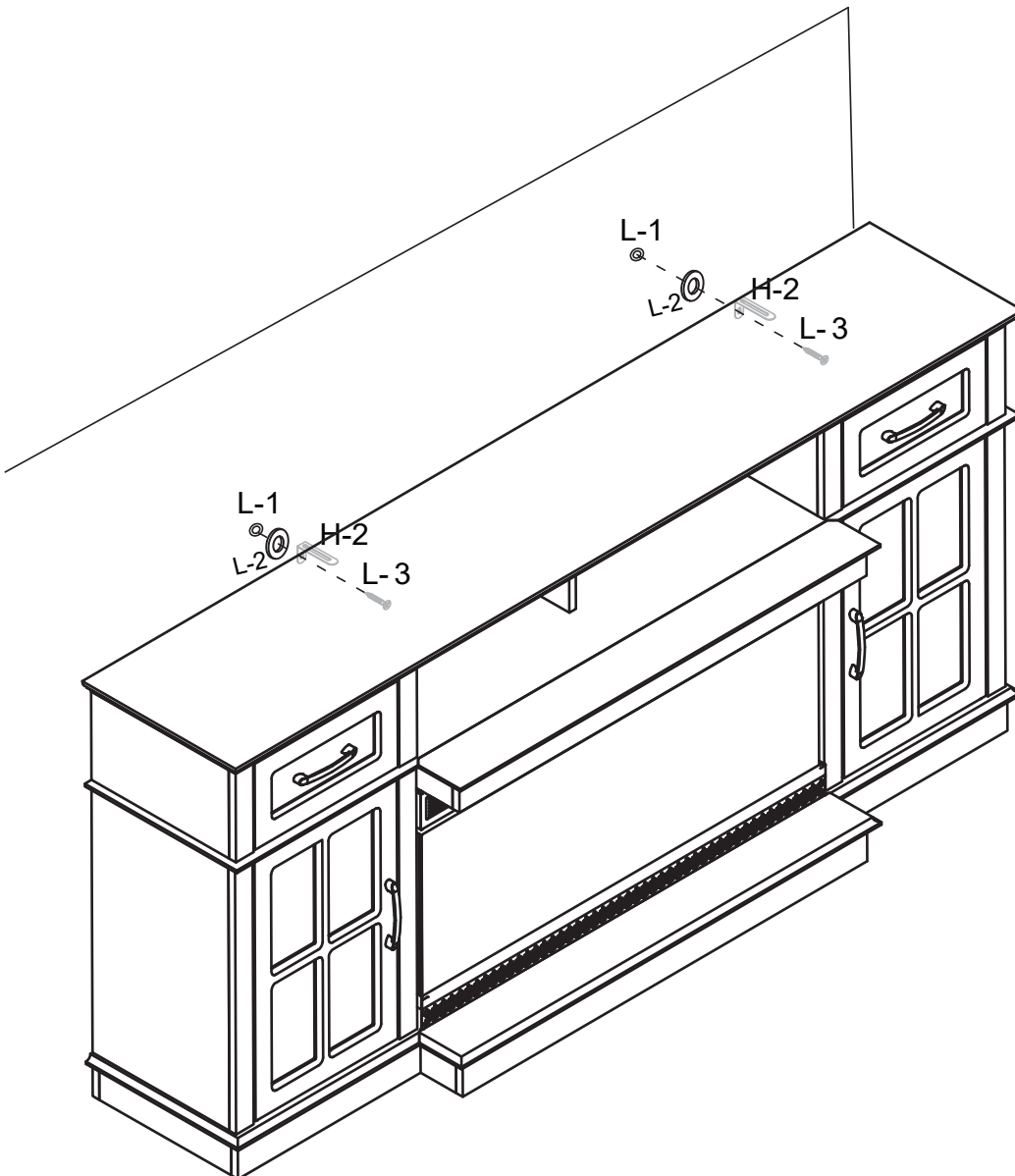
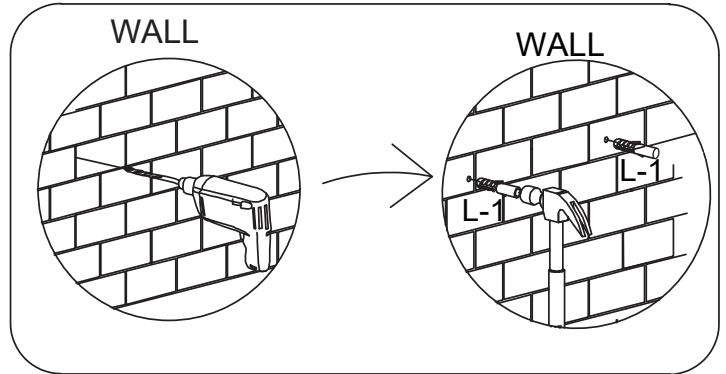
ASSEMBLY STEPS



STEP 30

(Wall-locking method of the L-shaped bracket)

Drill two holes in the wall, embed the plastic anchor (L-1) and then use screw (L-3) to pass through the washer (L-2) and L-shaped bracket (H-2) to fix the cabinet on the wall.



FAQS

1. What should I do when I received a defected item?

Please feel free to contact our customer service via the link where you purchased this item with your order ID, pictures of the defective areas to us. We are eager to help you to make it right.

2. Is it easy to put the screws to the panels?

Yes. As long as you follow the instruction and use the correct screws and put it in correct holes, it is easy to screw it into pre-drilled holes.

Supplementary Instructions for Safe Use

English

WARNING



Children have died from furniture tipover. To reduce the risk of furniture tipover:

- ALWAYS install tipover restraint provided.
- NEVER put a TV on this product.
- NEVER allow children to stand, climb or hang on drawers, doors, or shelves.
- NEVER open more than one drawer at a time.
- Place heaviest items in the lowest drawers.
- Do not defeat or remove the drawer interlock system.

This is a permanent label.
Do not remove!

French

ATTENTION



Des enfants sont morts du basculement des meubles. Pour réduire le risque de basculement des meubles:

- TOUJOURS installer la retenue de basculement fournie.
- NE JAMAIS mettre de téléviseur sur ce produit.
- NE JAMAIS permettre aux enfants de se tenir debout, de grimper, ou de s'accrocher à des tiroirs, des portes ou des étagères.
- N'ouvrez JAMAIS plus d'un tiroir à la fois.
- Placez les objets les plus lourds dans les tiroirs les plus bas.
- Ne désactivez pas et ne retirez pas le système de verrouillage du tiroir.

Ceci est une étiquette permanente.
Ne pas enlever!

German

WARNUNG



Kinder sind an einem Möbelkipp gestorben. So verringern Sie das Risiko eines Umkippens von Möbeln:

- Installieren Sie **IMMER** die mitgelieferte Kipprückhaltevorrichtung.
- Stellen Sie **NIEMALS** einen Fernseher an dieses Produkt.
- Lassen Sie Kinder **NIEMALS** an Schubladen, Türen oder Regalen stehen klettern oder hängen.
- Öffnen Sie **NIEMALS** mehr als eine Schublade gleichzeitig.
- Legen Sie schwerste Gegenstände in die untersten Schubladen.
- Besiegen oder entfernen Sie das Schubladenverriegelungssystem nicht.

Dies ist ein dauerhaftes Etikett.
Nicht entfernen!

Supplementary Instructions for Safe Use



WARNING

This product can expose you to chemicals including Formaldehyde (gas), which is known to the State of California to cause cancer. For more information go to www.P65Warnings.ca.gov.

WARNING

- **INGESTION HAZARD** :This product contains a button cell or coin battery.
- **DEATH** or serious injury can occur if ingested.
- A swallowed button cell or coin battery can cause **Internal Chemical Burns** in as little as **2 hours**.
- **Keep** new and used batteries **OUT OF REACH** of **CHILDREN**.
- **Seek immediate medical attention** if a battery is suspected to be swallowed or inserted inside any part of the body.



WARNING

- **INGESTION HAZARD** :This product contains a button cell or coin battery.
- **DEATH** or serious injury can occur if ingested.
- A swallowed button cell or coin battery can cause **Internal Chemical Burns** in as little as **2 hours**.
- **Keep** new and used batteries **OUT OF REACH** of **CHILDREN**.
- **Seek immediate medical attention** if a battery is suspected to be swallowed or inserted inside any part of the body.

