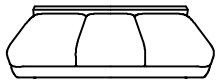
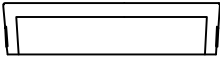


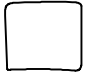

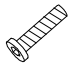



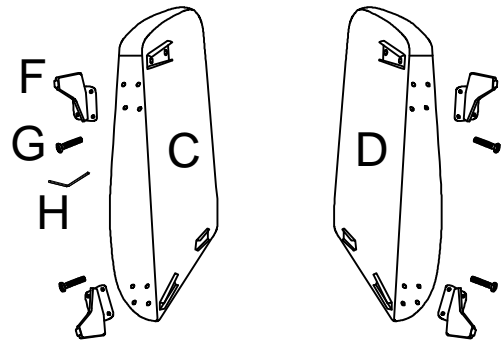
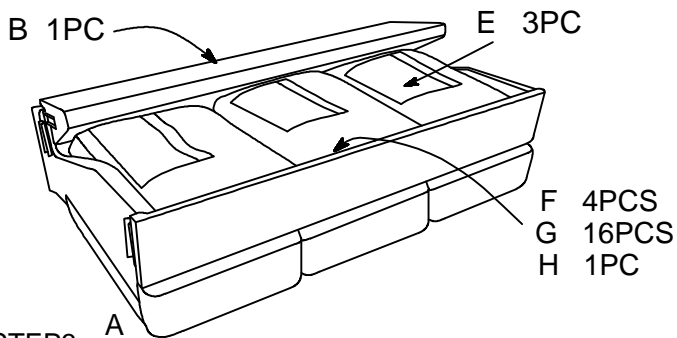
Assembly Instruction

COMPONENT LIST

| NO. | DRAWING | QTY | NO. | DRAWING | QTY |
|-----|---|-----|-----|---|-----|
| A |  | 1 | B |  | 1 |
| C |  | 1 | D |  | 1 |
| E |  | 3 | F |  | 4 |
| G |  | 16 | H |  | 1 |

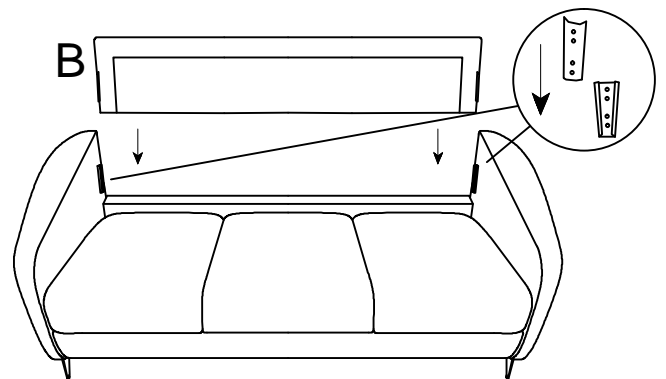
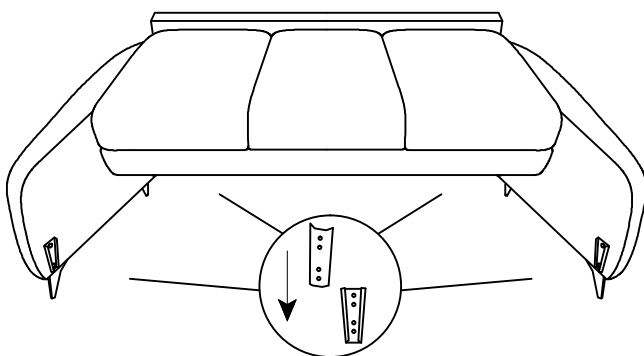
STEP1. Back Cushion (E) 、 Backrest (B) 、 Legs (F) And Hardware(G/H) Under The Seat.

STEP2.



STEP3.

STEP4.



STEP5.

