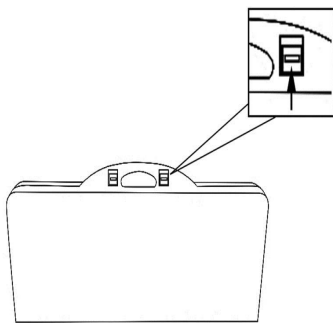
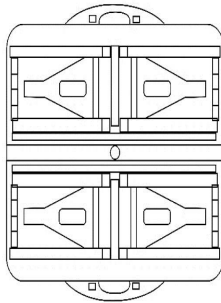


Assembly Instructions

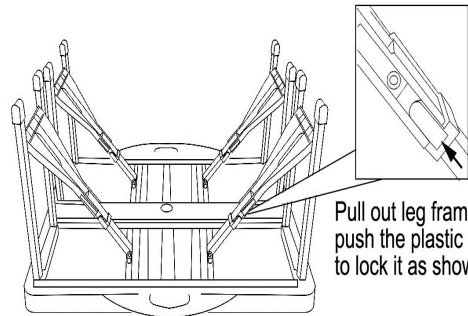


Lift up lock buttons as shown in the picture to open.

STEP 1

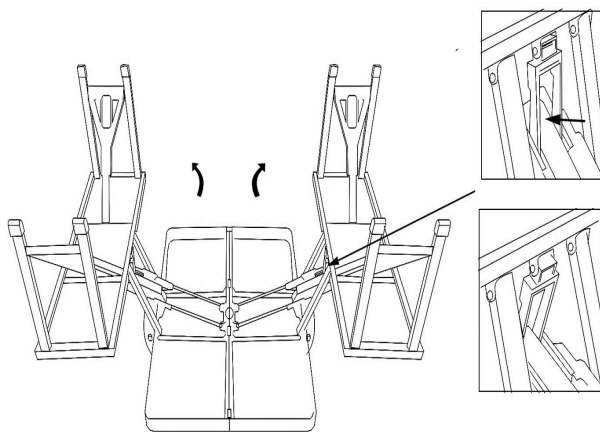


STEP 2



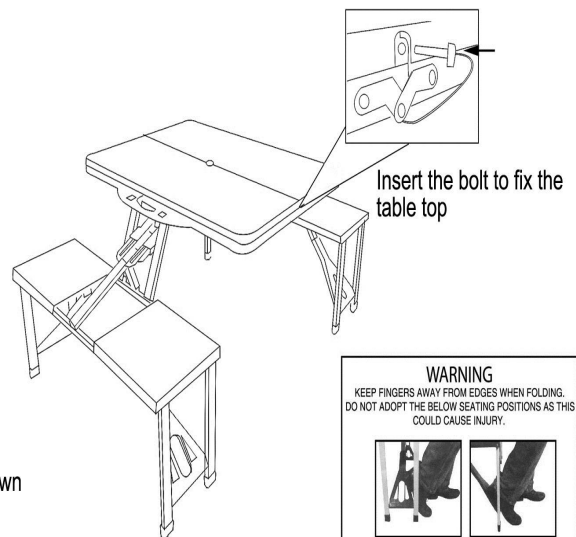
Pull out leg frames and push the plastic buckle to lock it as shown.

STEP 3



Push the safety lever to end as shown in picture

STEP 4



Insert the bolt to fix the table top

STEP 5

WARNING
KEEP FINGERS AWAY FROM EDGES WHEN FOLDING.
DO NOT ADOPT THE BELOW SEATING POSITIONS AS THIS
COULD CAUSE INJURY.

Two small diagrams showing unsafe seating positions. The first shows a person sitting on the edge of the table top. The second shows a person sitting on the leg frame of the case.