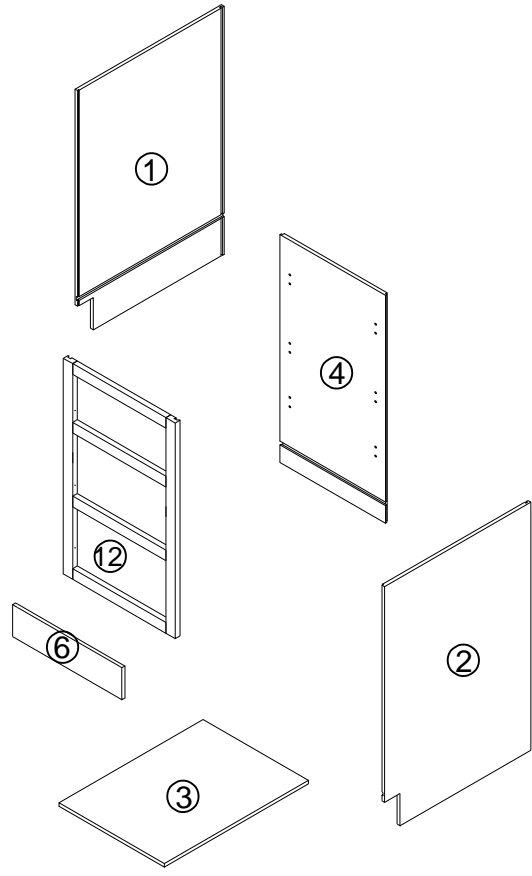
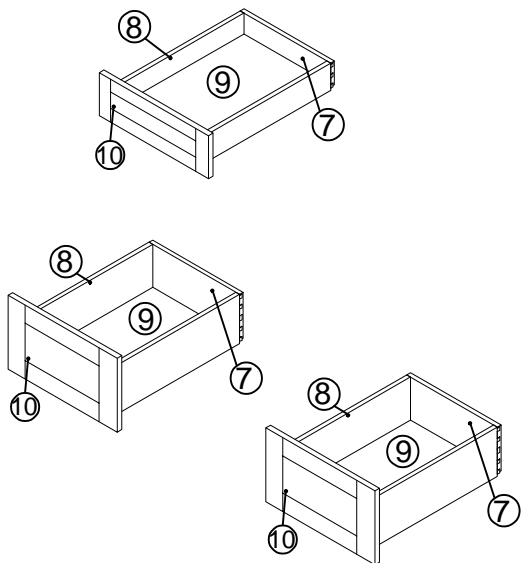
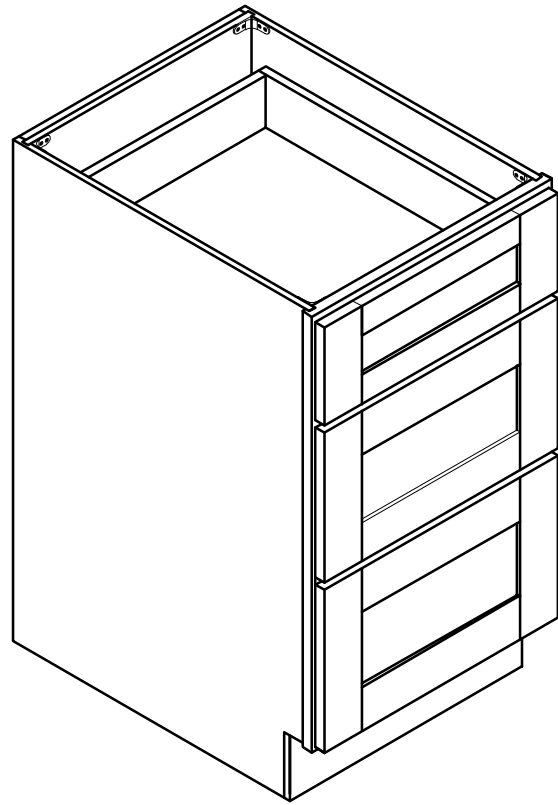


PROJECT NAME:
 ITEM NAME: BASE CABINET_3DRAWER
 ITEM CODE: DB12, DB15, DB18, DB21, DB24, DB27, DB30, DB33, DB36

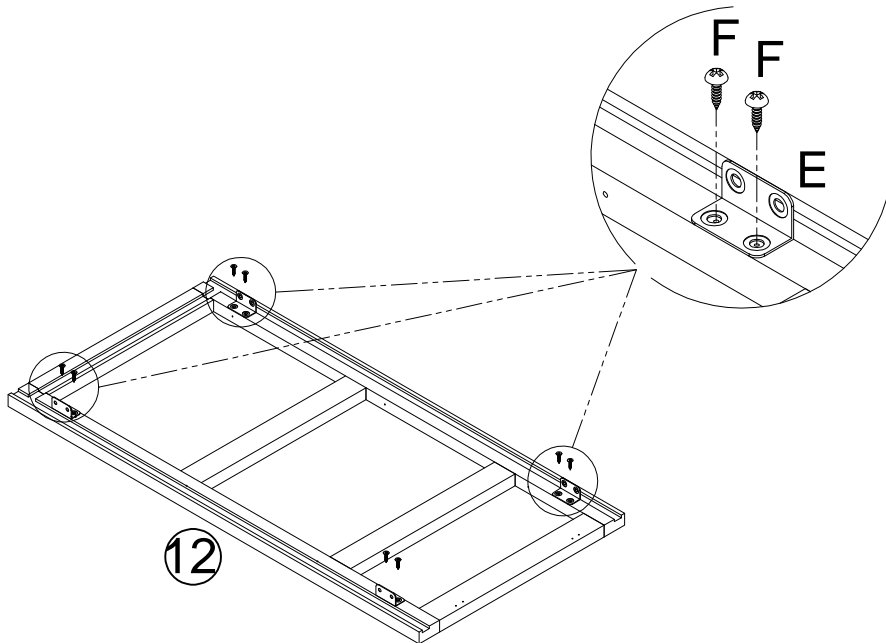
PARST LIST		
NO	NAME	QTY
1	LEFT SIDE PANEL	1pcs
2	RIGHT SIDE PANEL	1pcs
3	BOTTOM PANEL	1pcs
4	BACK PANEL	1pcs
5	SHELF	0pcs
6	TOE KICK	1pcs
7	DRAWER BACK PANEL	3pcs
8	DRAWER SIDE PANEL	6pcs
9	DRAWER BOTTOM PANEL	3pcs
10	DRAWER FACE&DRAWER FRONT PANEL	3pcs
11	DOOR	0pcs
12	FACE FRAME	1pcs



HARDWARE LIST

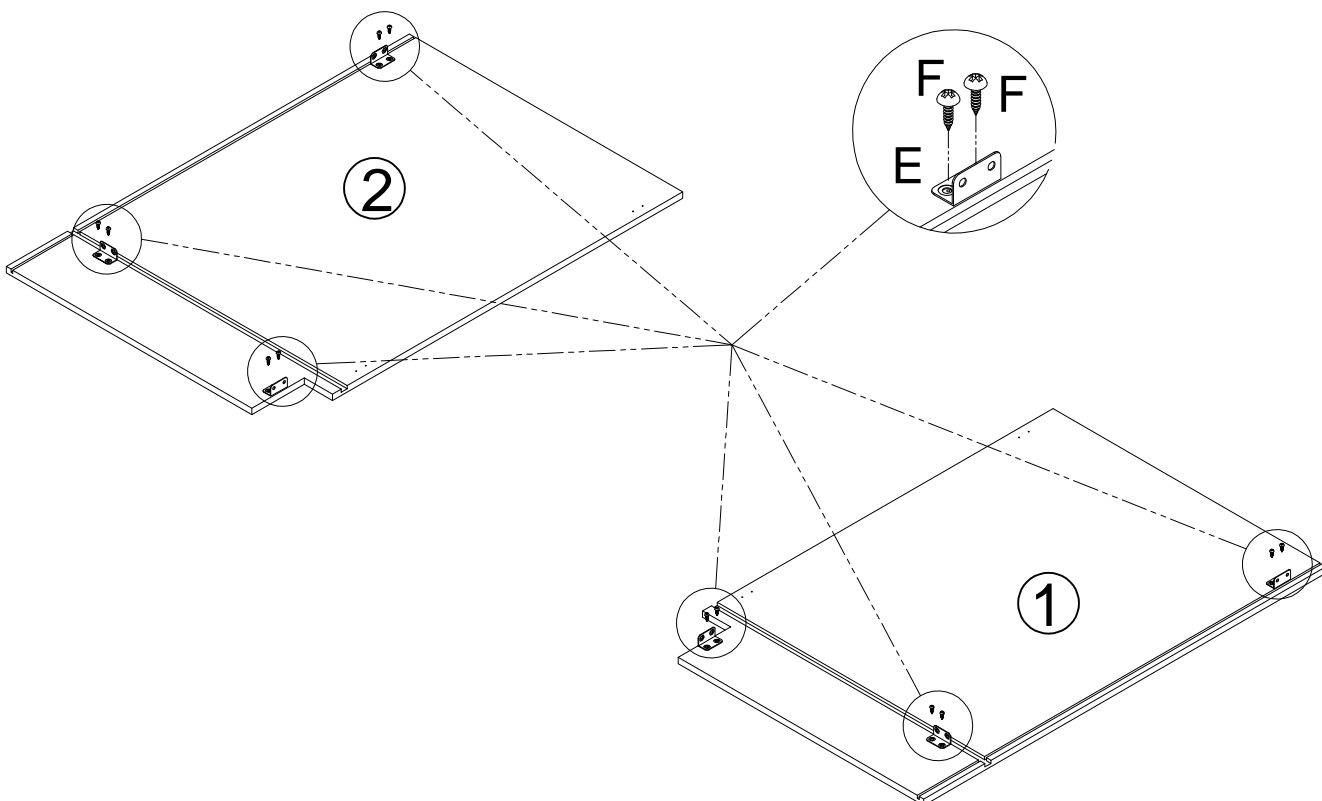
NO	NAME	picture	QTY
A	GLIDES		03pcs
B	HINGE 1-1/4		0pcs
C	90 METAL BRACKET		04pcs
D	SHELF PINS		0pcs
E	CORNER BRACKET		11pcs
F	Ø3.5 x12mm SCREWS		61pcs
G	Ø4 x25mm BACKBOARD SCREWS		2pcs
H	Ø4×19mm HINGE SCREWS		0pcs
K	Ø3.5×14mm HINGE SCREWS		14pcs
I	BUMPER		12pcs

STEP1 Ex 4 F x 8



12

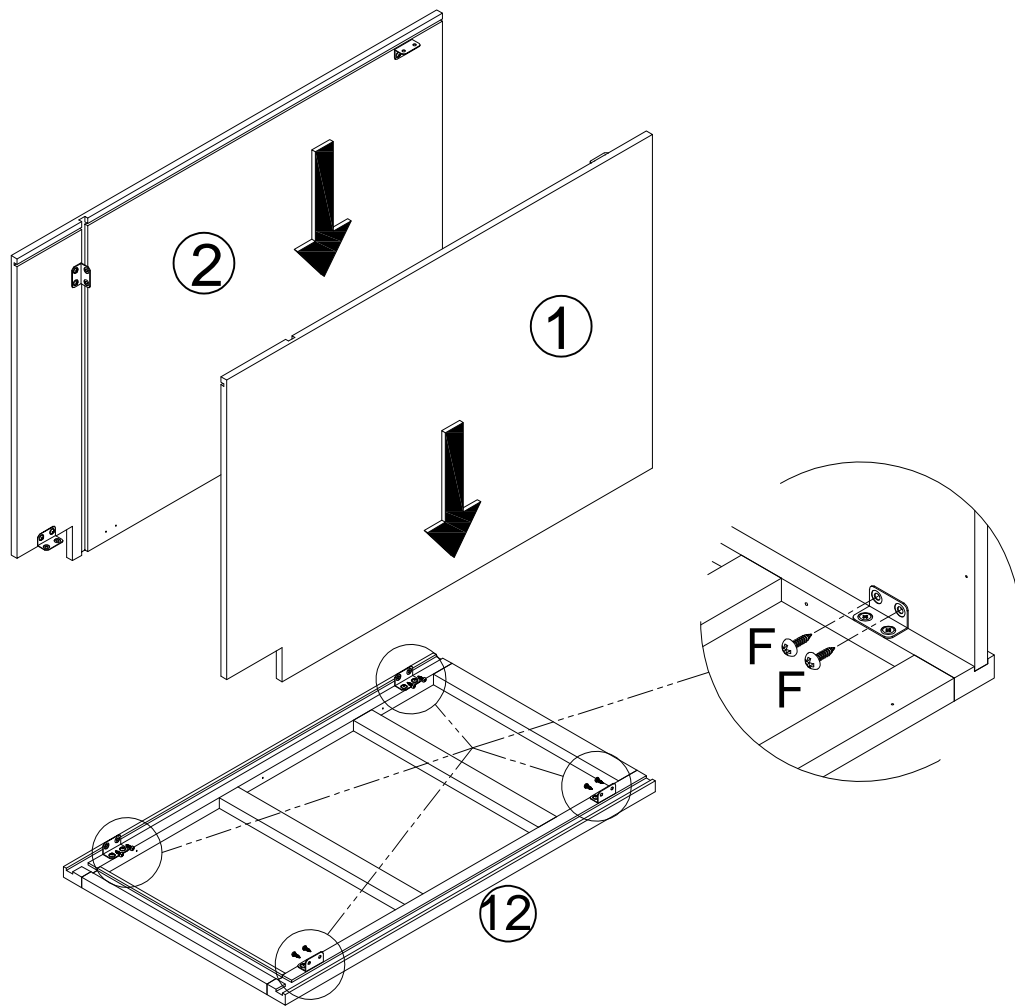
STEP2 Ex 6 F x 12



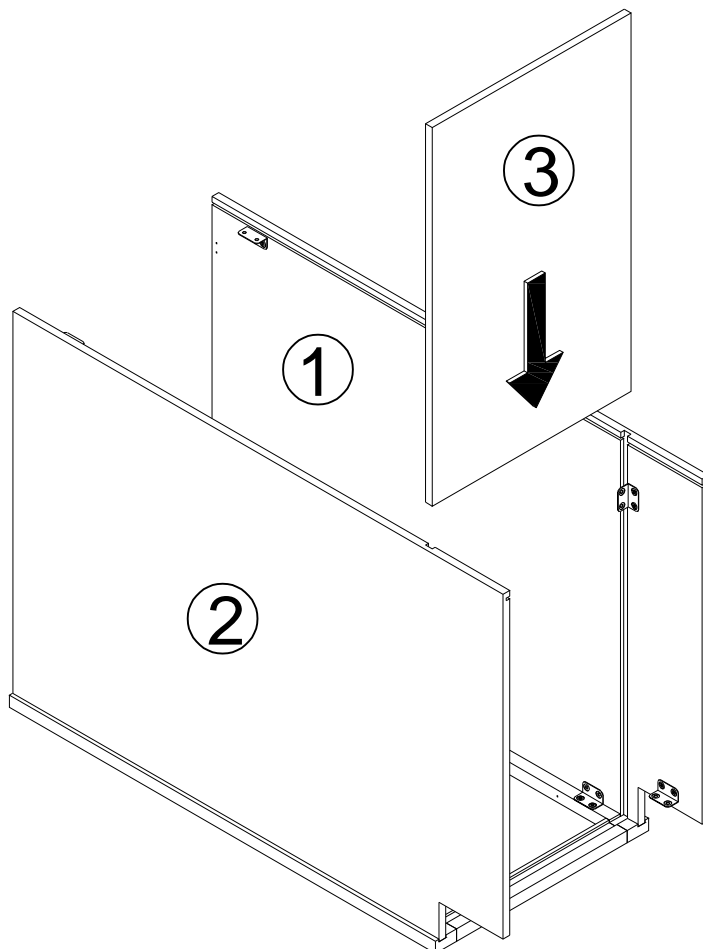
2

1

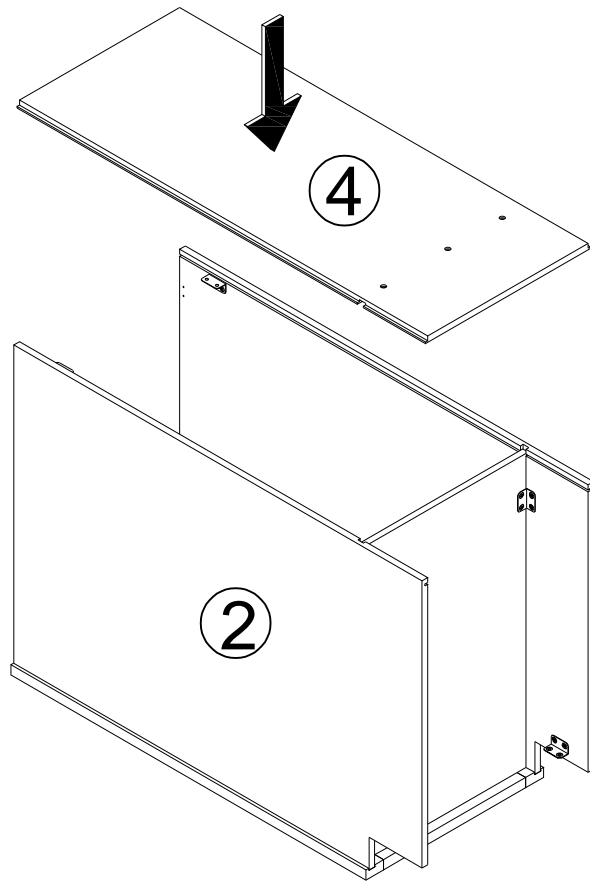
STEP3 F x 8



STEP4 E x 6 F x 12



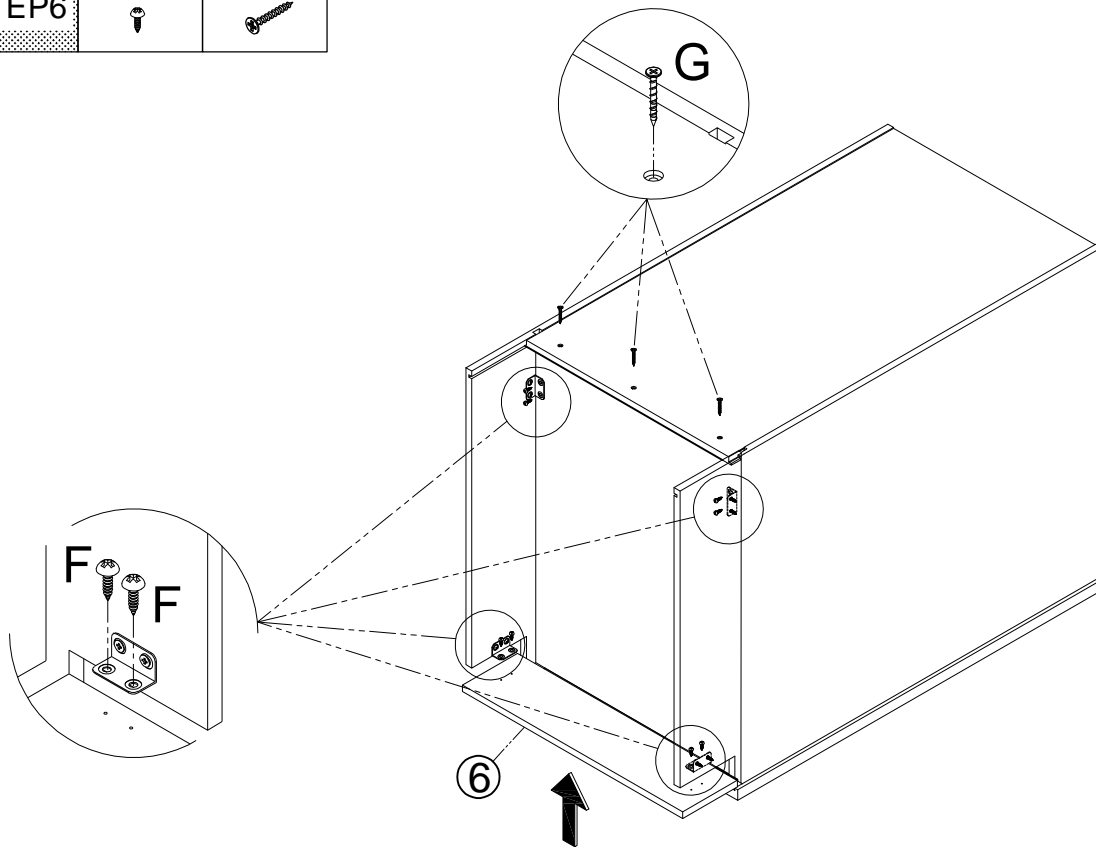
STEP5




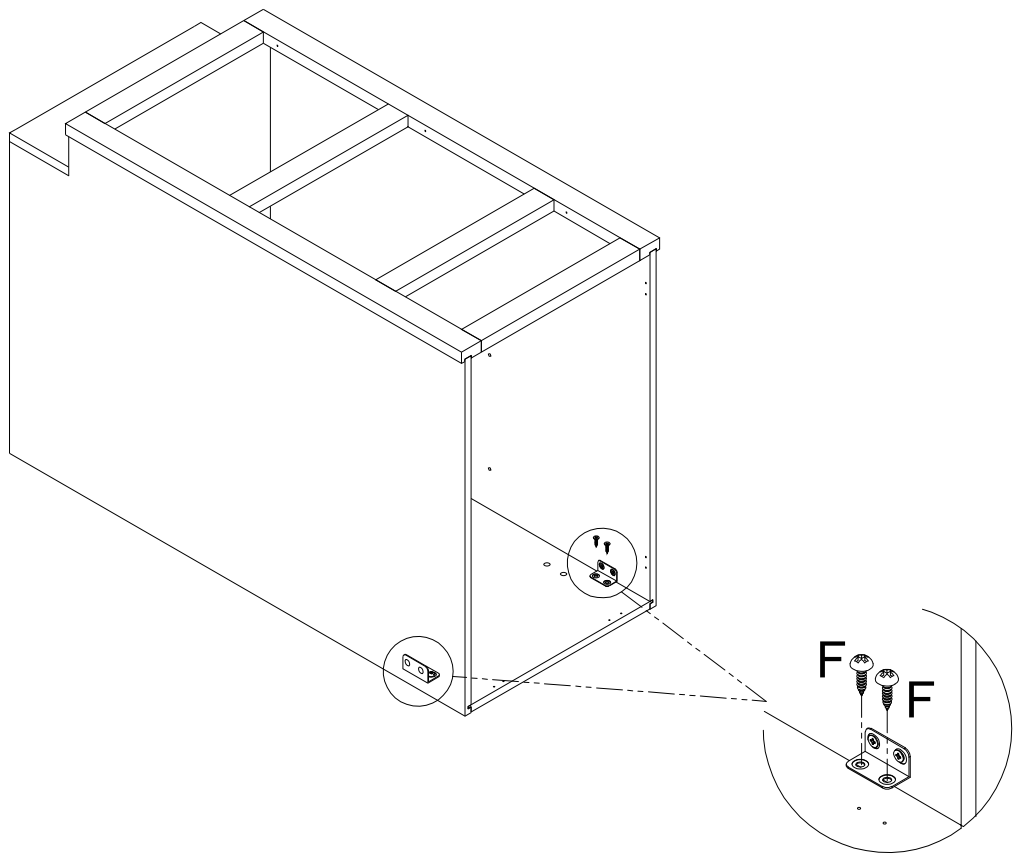
STEP6

F x 8

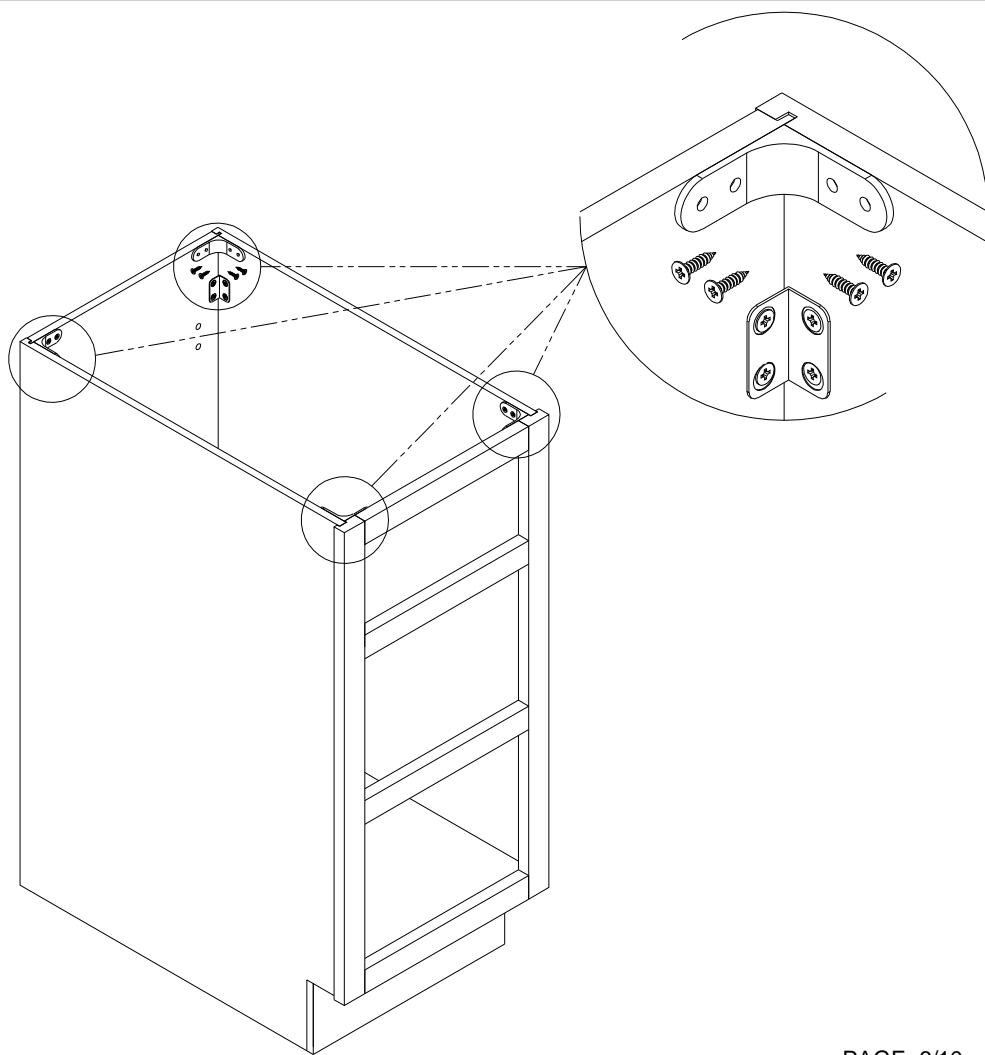
G x 3



STEP7 F x 4 

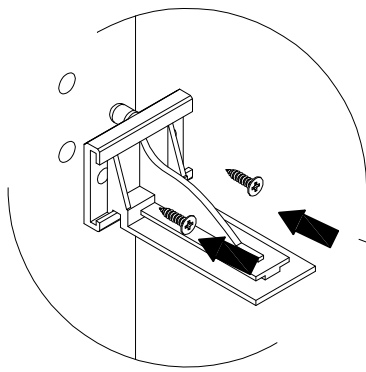
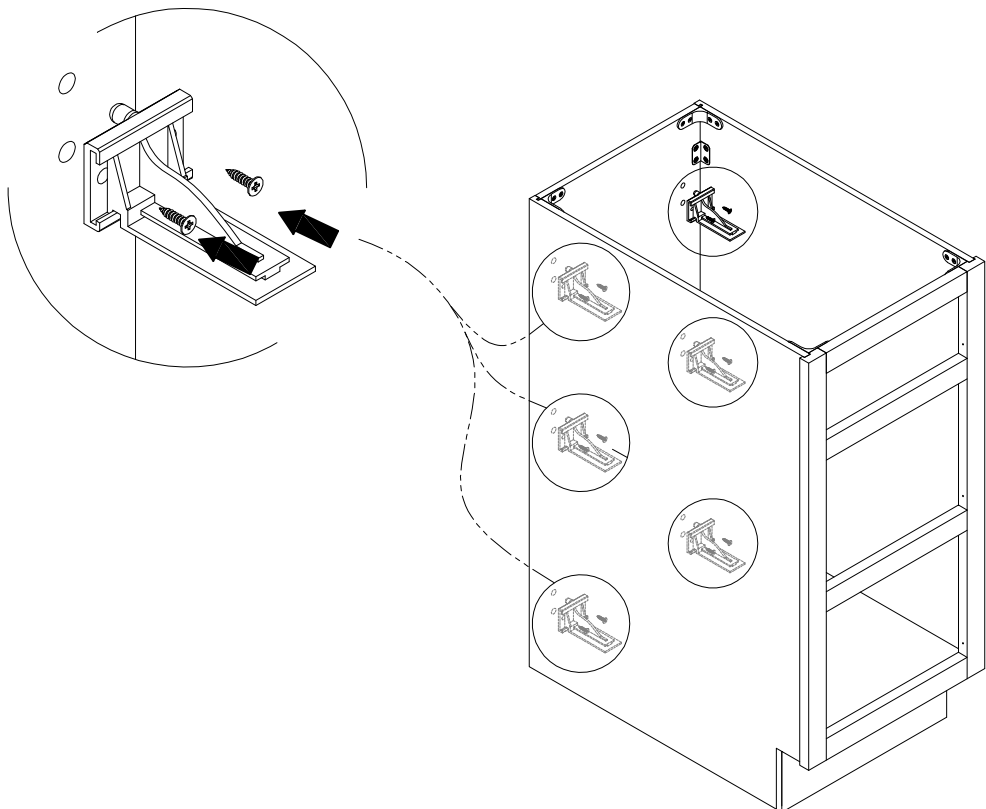


STEP8



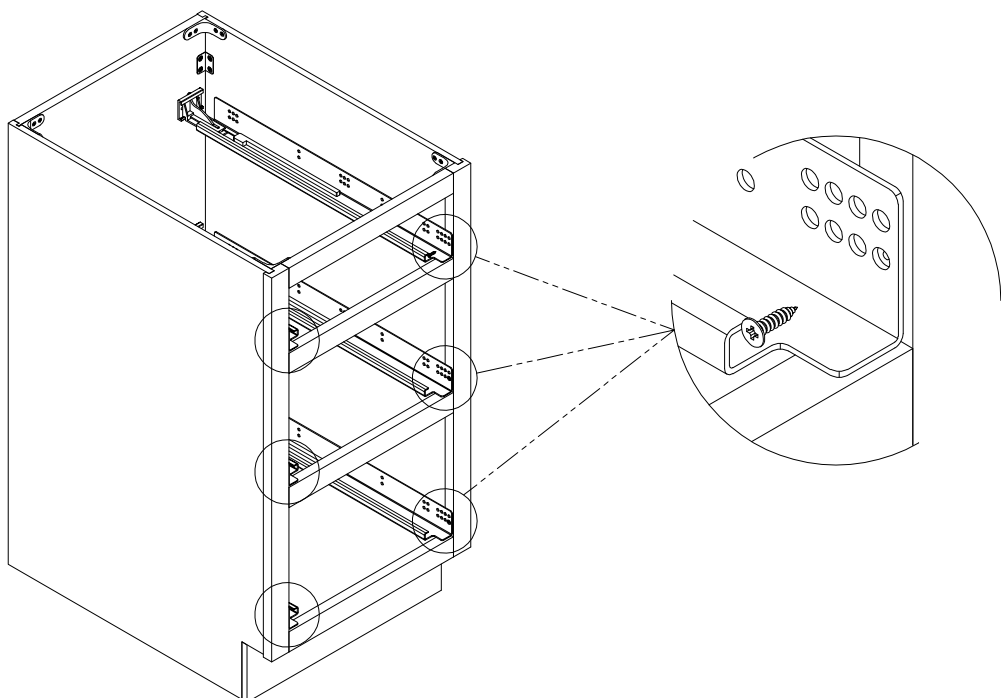
STEP9

A x 6



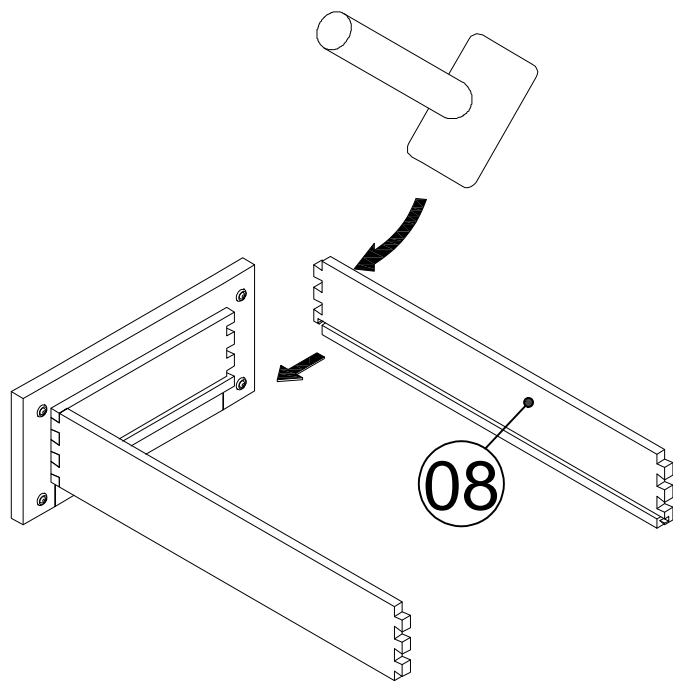
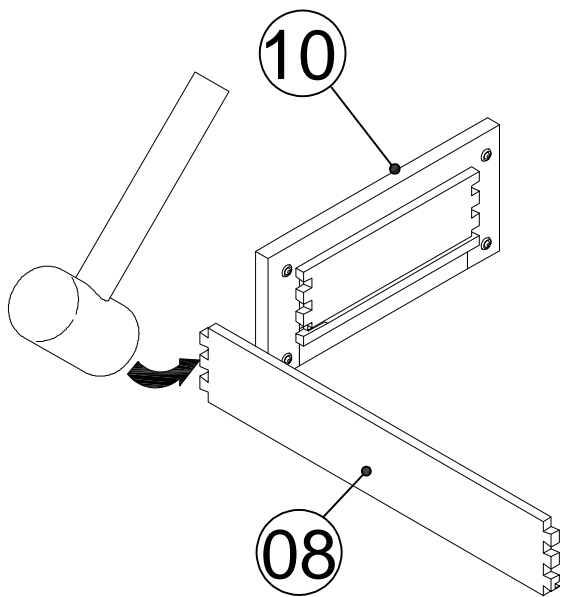
STEP10

A x 6

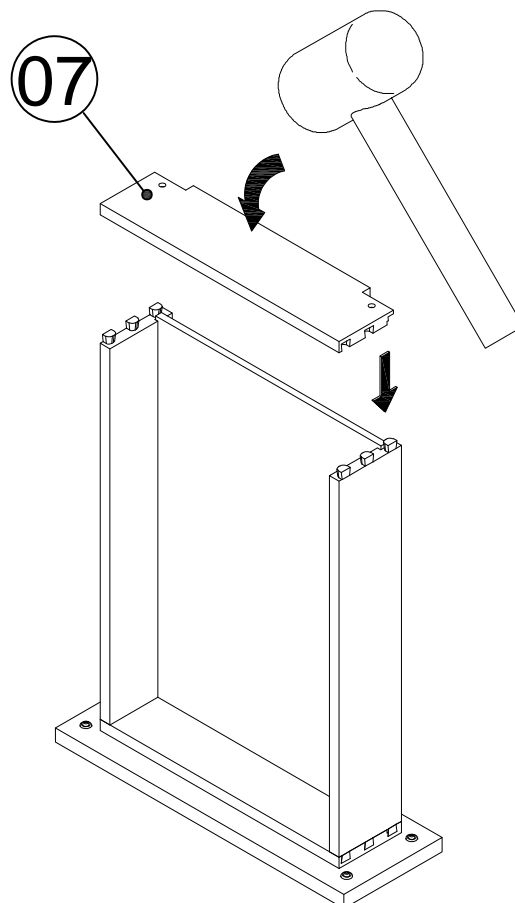
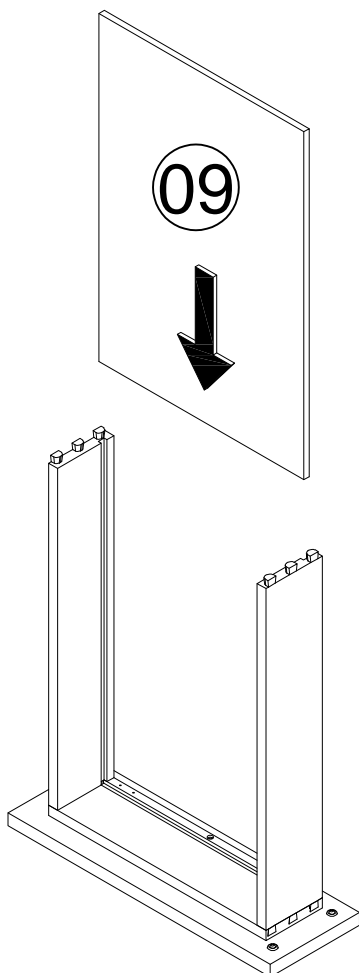


STEP11

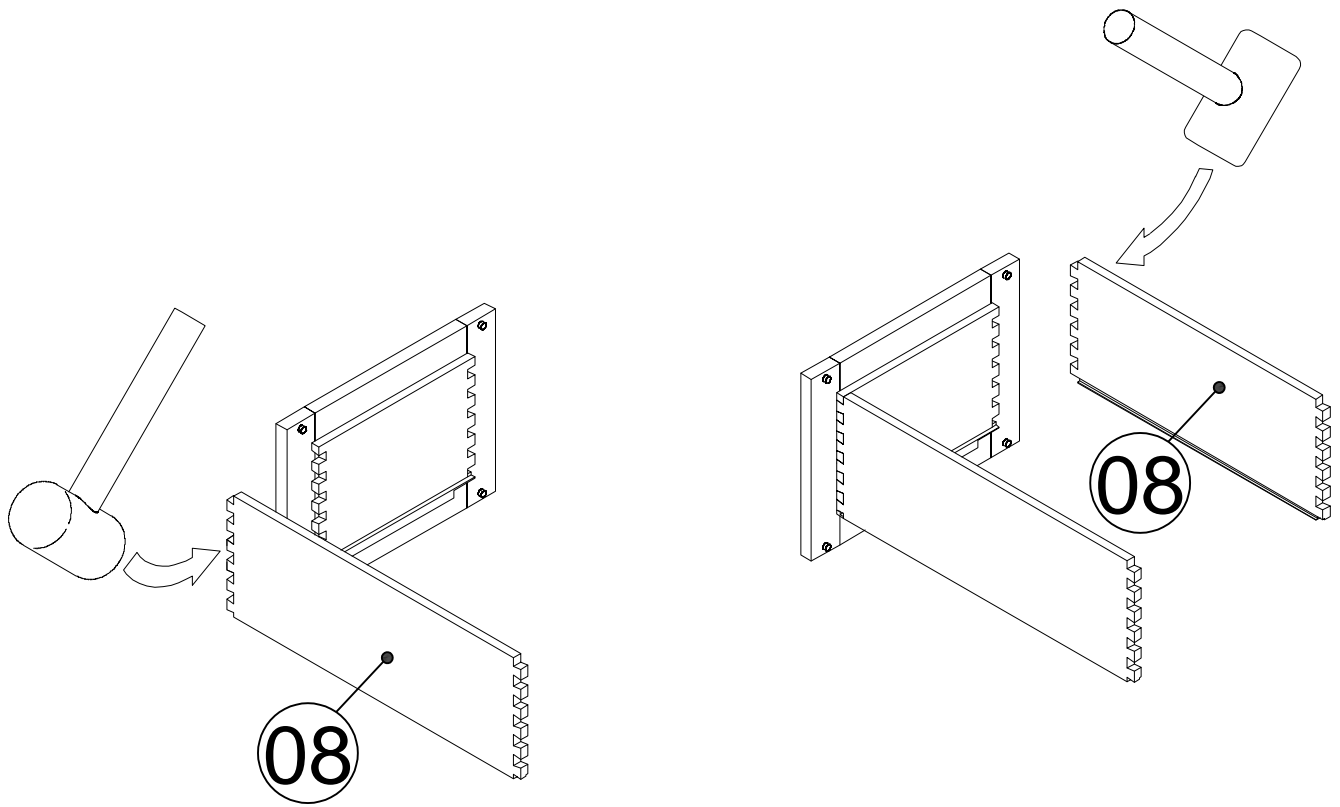
- (10) DAWER FACE X3
- (8) DAWER SIDE PANEL X6



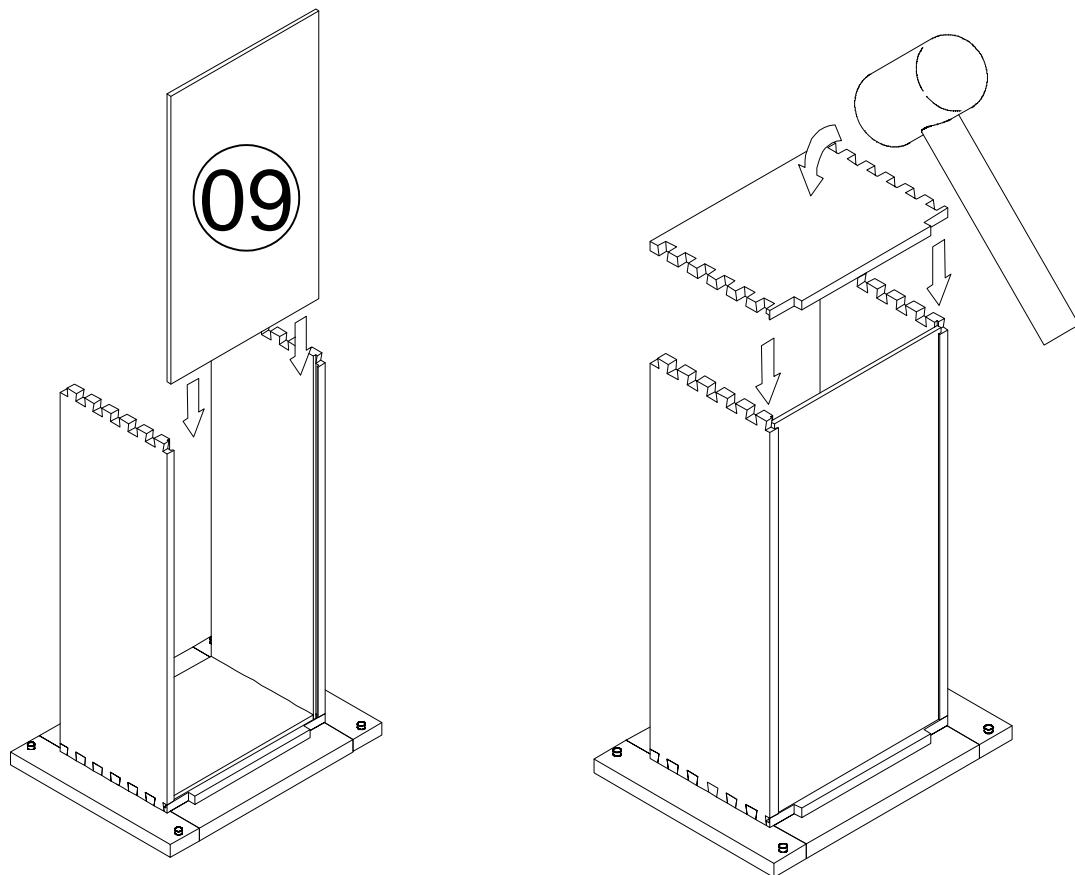
STEP12



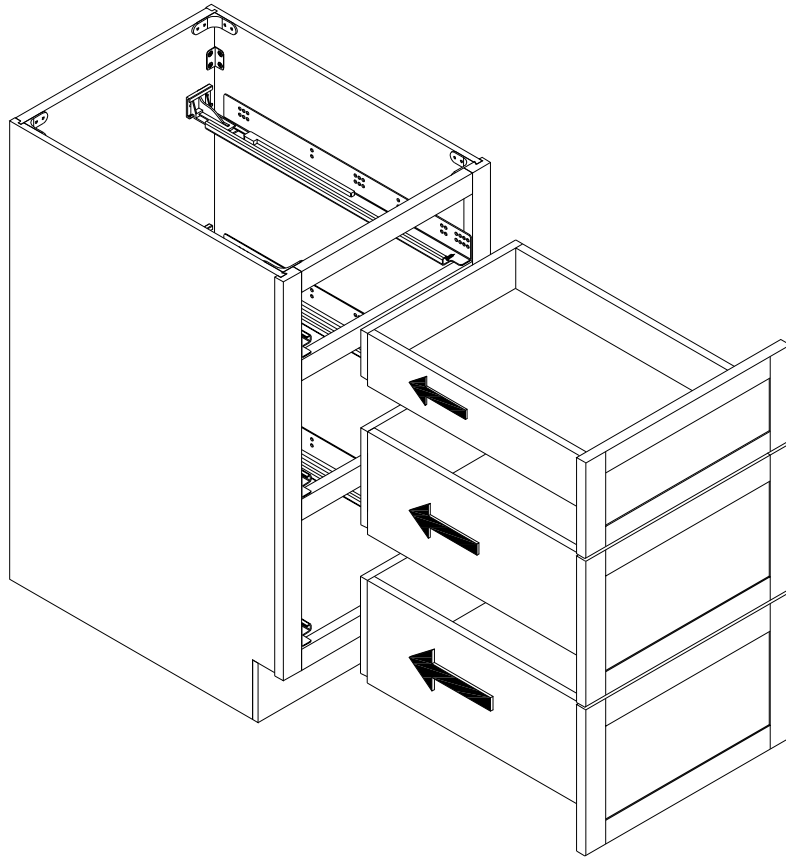
STEP13



STEP14



STEP15



STEP16

