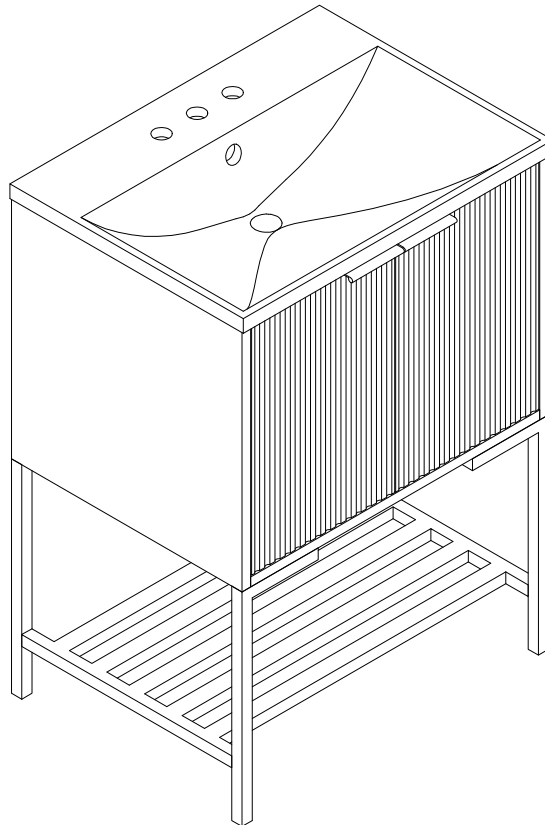


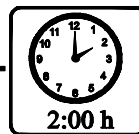
# ASSEMBLY INSTRUCTIONS

## BATH VANITY

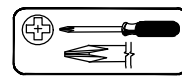


Thank you for purchasing this quality product. Be sure to check all packing material carefully for small parts which may have come loose inside the carton during shipment. Separate, identify and count all parts and hardware. Compare with the parts list to be sure all parts are present.  
**"DO NOT TIGHTEN SCREWS UNTIL COMPLETELY ASSEMBLED"**

**\* Use of power tool to assemble this product will invalidate any claim and damage this product making unsafe !!!**  
**\* Please assemble on a clean soft surface to avoid damage.**



### Tools Required



(Not included)



(Not included)

**IMPORTANT:**

**PLEASE READ INSTRUCTION BEFORE STARTING THE ASSEMBLY**

**Thank you for buying our products.**

**Please read the installation manual carefully before installation,**

**we need you to follow the instructions on the accessories and hardware**

**step by step assembly complete, our instructions are very detailed.**

**Products are environmentally friendly products,**

**Please rest assured that you do not soak in water, do not place very heavy items,**

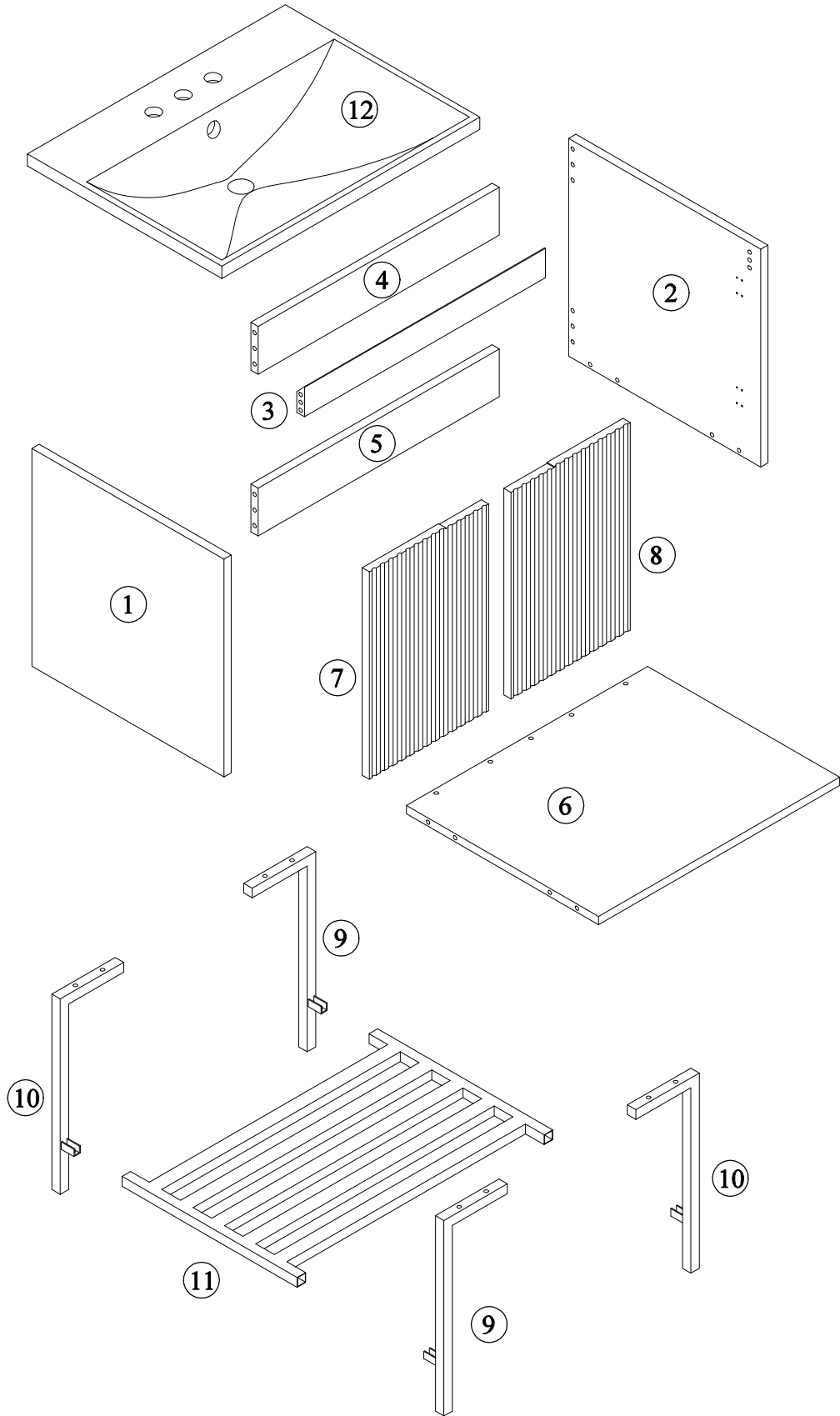
**do not malicious push and pull,**

**if you have any problems in the process of assembly and use, please contact us.**

**Thank you again for your purchase of our products,**

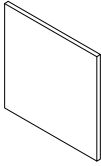
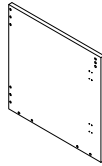
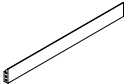
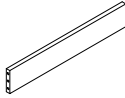
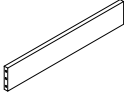
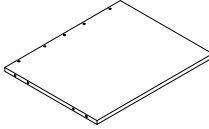
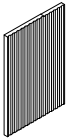
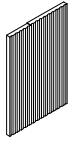

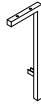
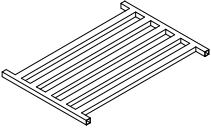
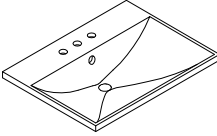
**I wish you a happy life.**

# Detail View - CABINET




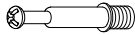

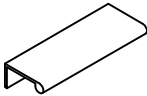
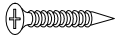
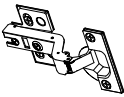
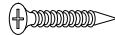


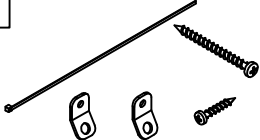


**Identifying the Hardware**-Identify the hardware using the illustrations below.

# Part List

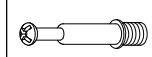
<p><b>1</b></p>  <p><b>Side Panel (L) - 1pc</b></p>	<p><b>2</b></p>  <p><b>Side Panel (R) - 1pc</b></p>
<p><b>3</b></p>  <p><b>Front Crossbar Top - 1pc</b></p>	<p><b>4</b></p>  <p><b>Rear Panel Top - 1pc</b></p>
<p><b>5</b></p>  <p><b>Rear Panel Bottom - 1pc</b></p>	<p><b>6</b></p>  <p><b>Panel Bottom - 1pc</b></p>
<p><b>7</b></p>  <p><b>Door Cabinet (L) - 1pc</b></p>	<p><b>8</b></p>  <p><b>Door Cabinet (R) - 1pc</b></p>
<p><b>9</b></p>  <p><b>Foot Metal (L) - 2pcs</b></p>	<p><b>10</b></p>  <p><b>Foot Metal (R) - 2pcs</b></p>
<p><b>11</b></p>  <p><b>Frame Metal - 1pc</b></p>	<p><b>12</b></p>  <p><b>Sink - 1pc</b></p>

# Hardware List

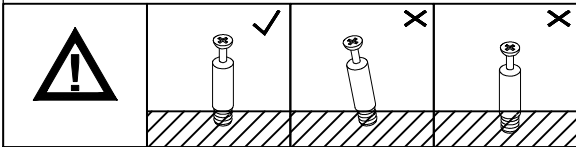
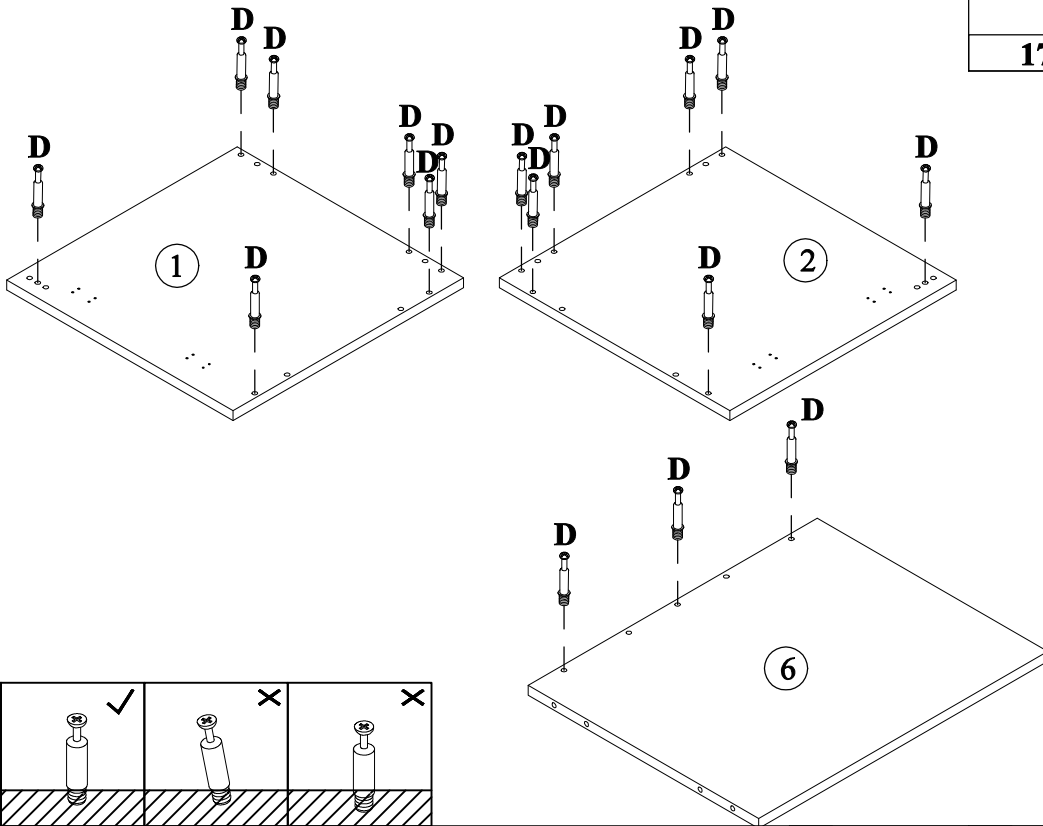
<p><b>A</b></p>  <p><b>ø13x1/4"x15mm</b></p>	<p><b>B</b></p>  <p><b>ø13x1/4"x32mm</b></p>	<p><b>C</b></p>  <p><b>ø1/4"x16x1mm</b></p>
<p><b>Hex-Head bolts (4pcs)</b></p>	<p><b>Hex-Head bolts (8pcs)</b></p>	<p><b>Washer (12pcs)</b></p>
<p><b>D</b></p>  <p><b>ø6x35mm</b></p>	<p><b>E</b></p>  <p><b>ø14.5x12mm</b></p>	<p><b>F</b></p> 
<p><b>Three in one bolts (17pcs)</b></p>	<p><b>Three in one lock (17pcs)</b></p>	<p><b>Handle (2pcs)</b></p>
<p><b>G</b></p>  <p><b>ø7xø3.5x12mm</b></p>	<p><b>H</b></p> 	<p><b>I</b></p>  <p><b>ø7xø3.5x15mm</b></p>
<p><b>Flat head screw (6pcs)</b></p>	<p><b>Damping hinge (4pcs)</b></p>	<p><b>Flat head screw (24pcs)</b></p>
<p><b>J</b></p>  <p><b>ø8x30mm</b></p>	<p><b>K</b></p>  <p><b>4mm</b></p>	<p><b>L</b></p> 
<p><b>Wood dowel (14pcs)</b></p>	<p><b>Allen key (1pc)</b></p>	<p><b>Anti fall hardware (1set)</b></p>

# STEP: 1

**D**



**17PCS**



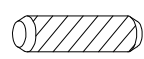
# STEP: 2

**E**

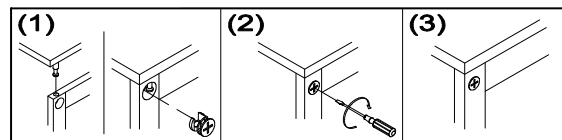
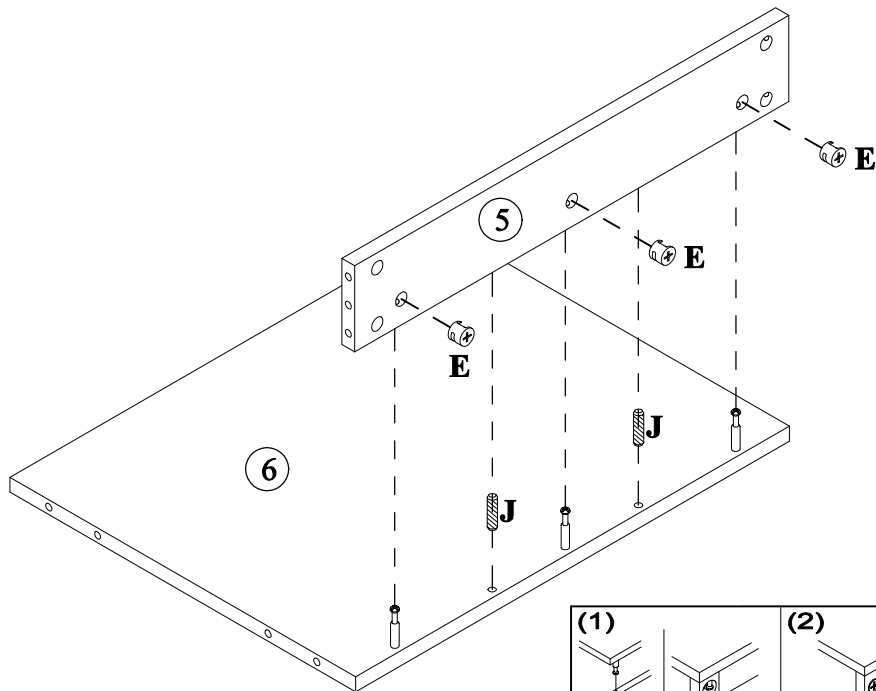


**3PCS**


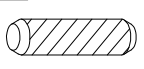
**J**

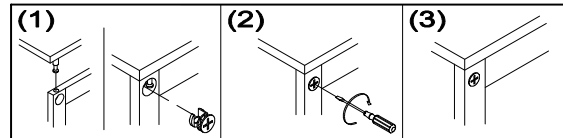
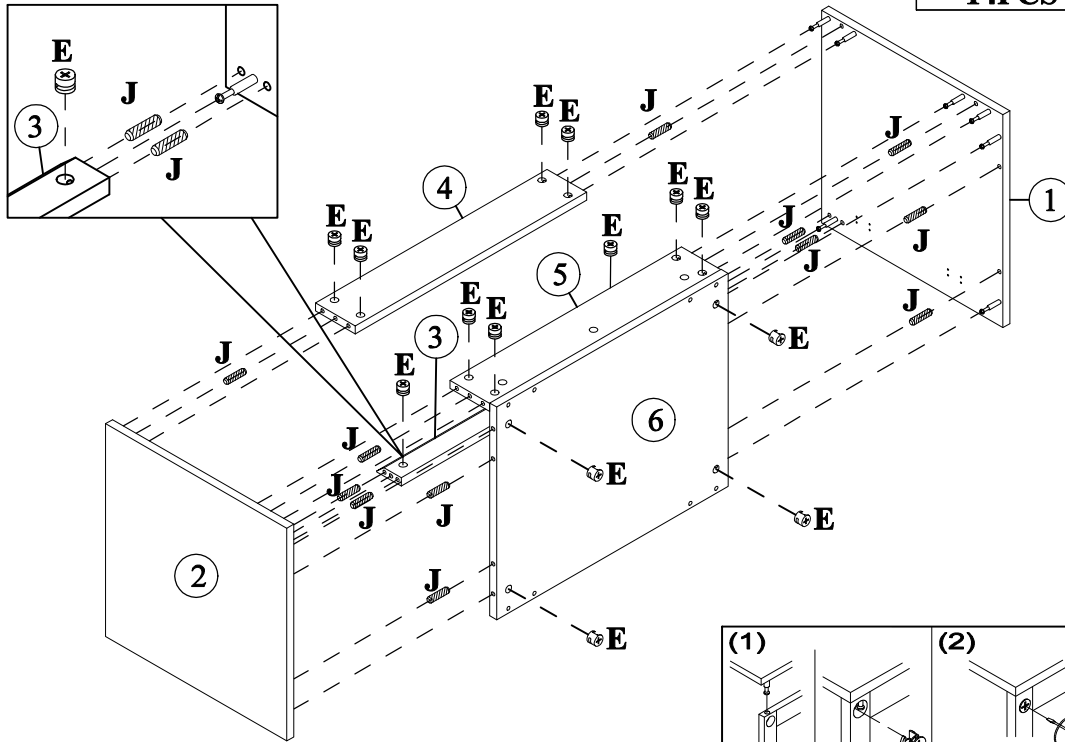


**2PCS**





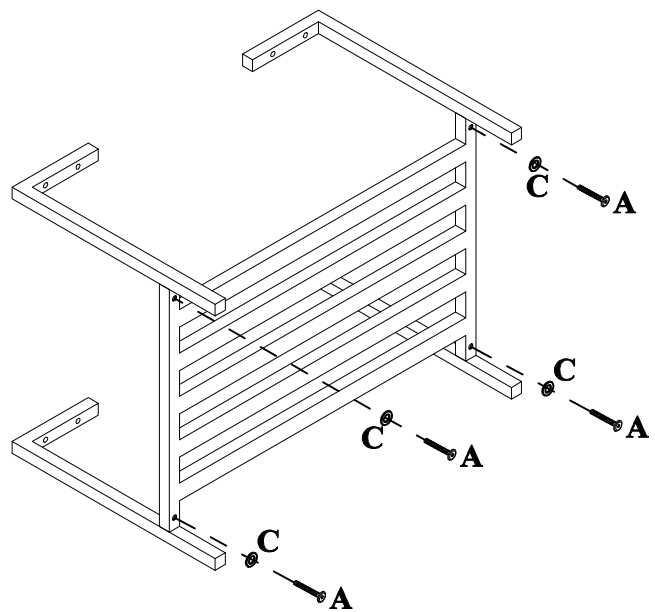
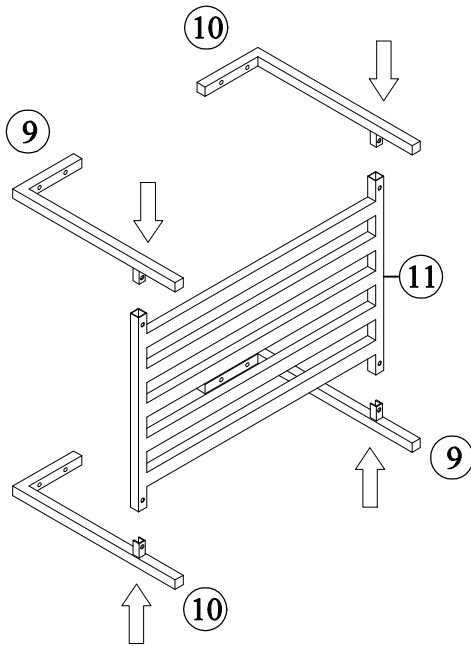
### STEP: 3

<b>E</b>		<b>J</b>	
	<b>14PCS</b>		<b>12PCS</b>

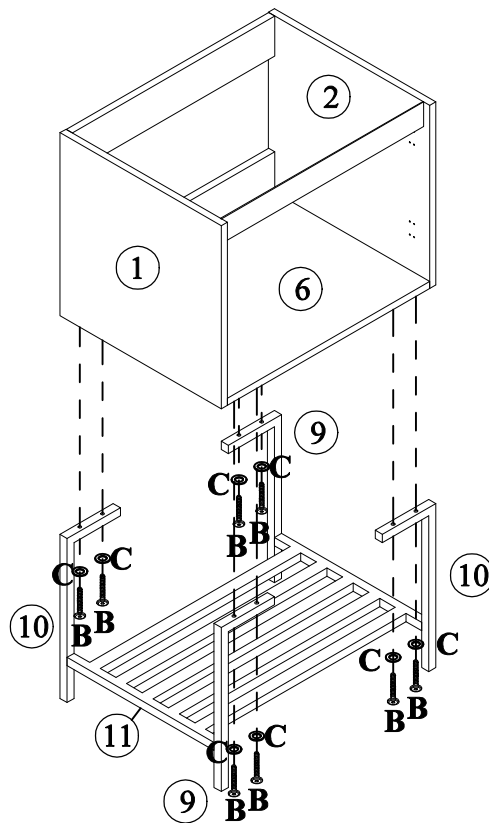




### STEP: 4

<b>A</b>		<b>C</b>	
	<b>4PCS</b>		<b>4PCS</b>

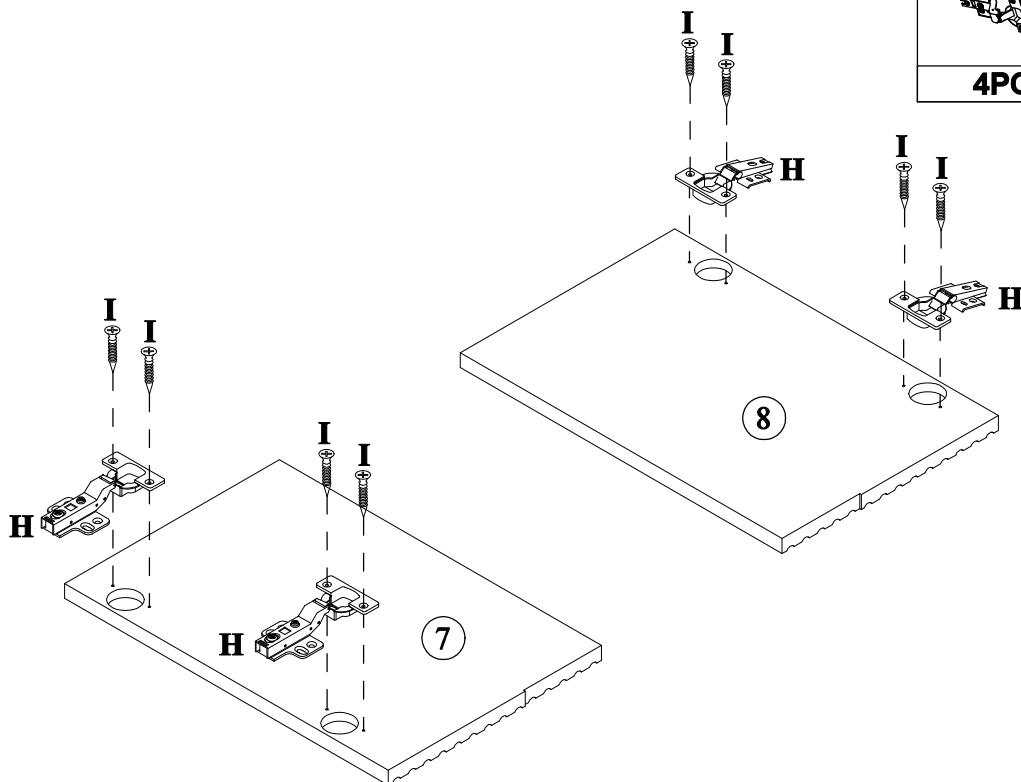



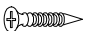
### STEP: 5



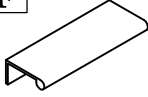
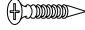
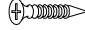
<b>B</b> 	<b>C</b> 
<b>8PCS</b>	<b>8PCS</b>

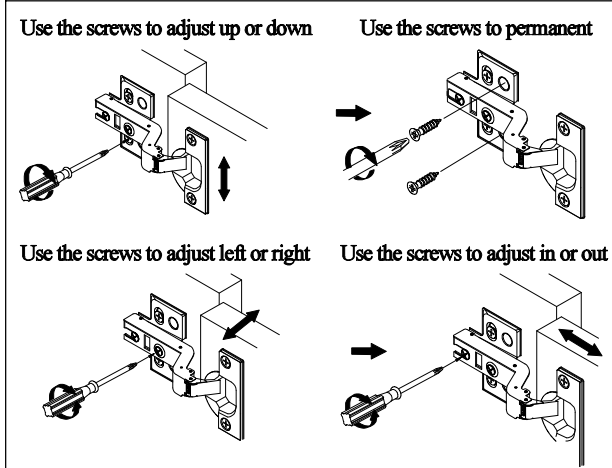
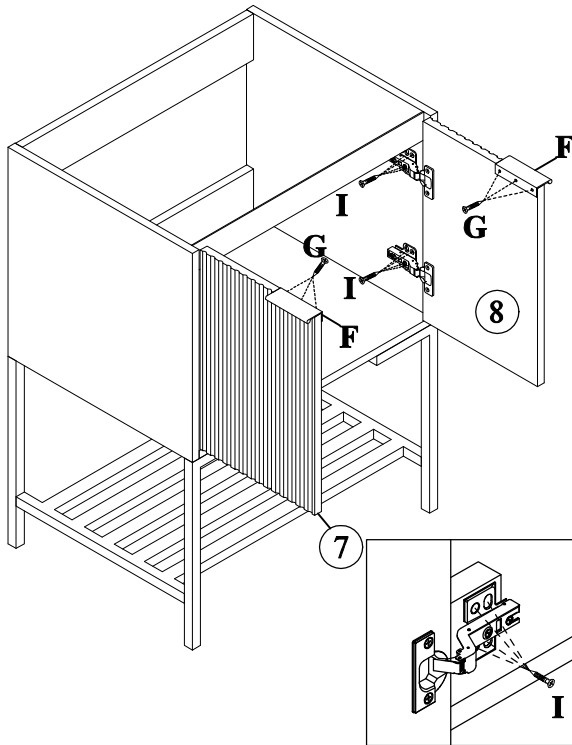
### STEP: 6



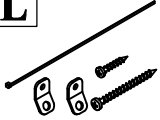
<b>H</b> 	<b>I</b> 
<b>4PCS</b>	<b>8PCS</b>

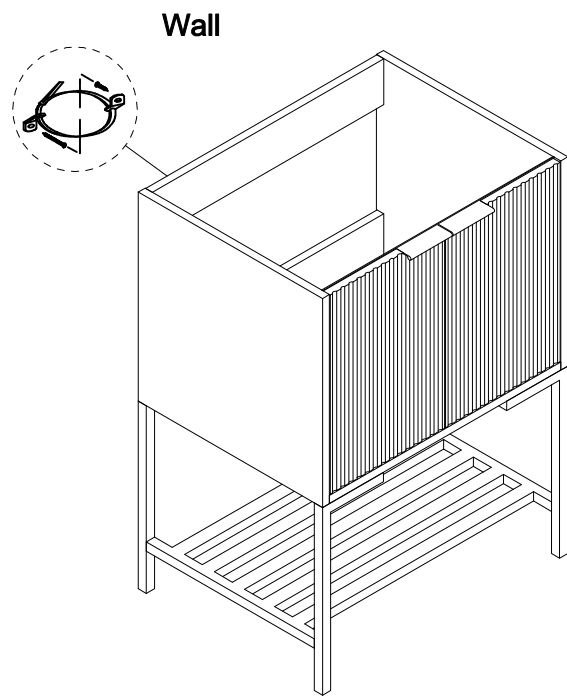
# STEP: 7

<b>F</b>		<b>G</b>		<b>I</b>	
<b>2PCS</b>		<b>6PCS</b>		<b>16PCS</b>	



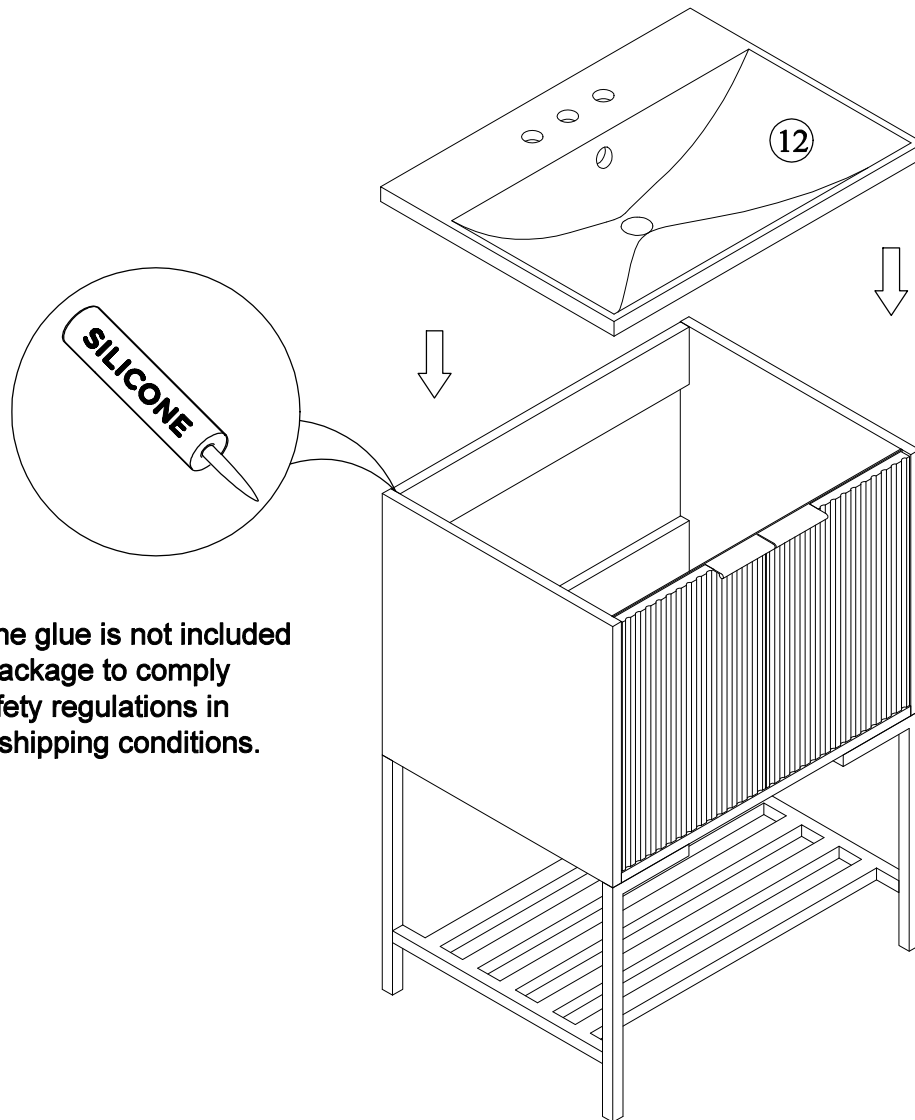
# STEP: 8

<b>L</b>	
<b>1SET</b>	



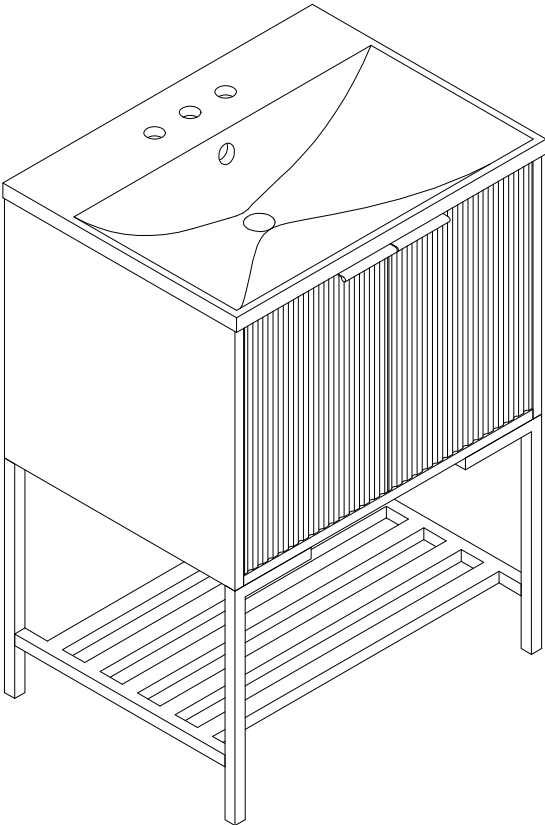
## **STEP: 9**

**Install the sink on the cabinet with glue.  
Let stand for 24 hours**

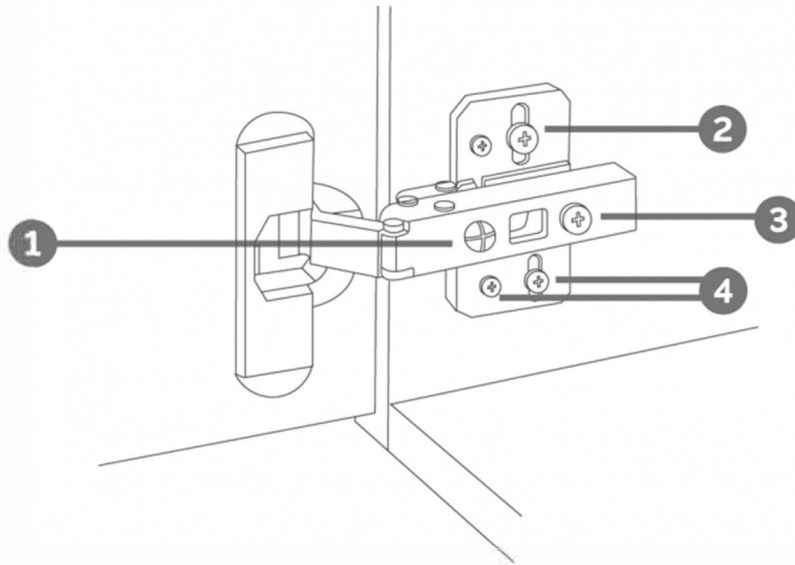


**\*Silicone glue is not included  
in the package to comply  
with safety regulations in  
certain shipping conditions.**

**STEP: 10**

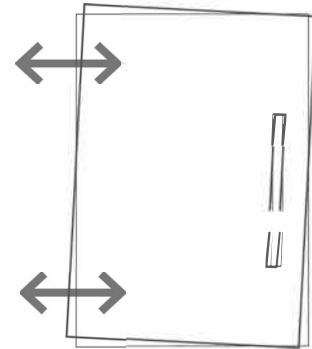


# HINGE ADJUSTMENTS



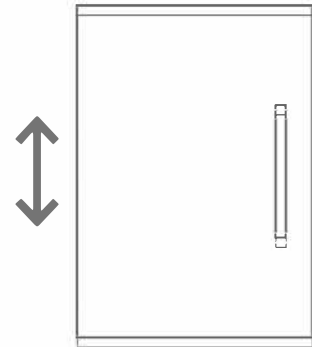
## 1 Sideways / Tilt adjustment

Turn the screw  
**clockwise** to move the door further away from  
the side of the cabinet  
**anticlockwise** to move the door closer to the  
side of the cabinet



## 2 4 Height adjustment

While supporting the weight of the door, turn the  
screws  
**clockwise** to move the door up  
**anticlockwise** to move the door down



## 3 Forward and back adjustment

If the gap between the back of the door and the  
cabinet is too small, and the door may not close  
fully. Turn the screw  
**clockwise** to decrease the gap between the  
door and the cabinet  
**anticlockwise** to increase the gap between the  
door and the cabinet

