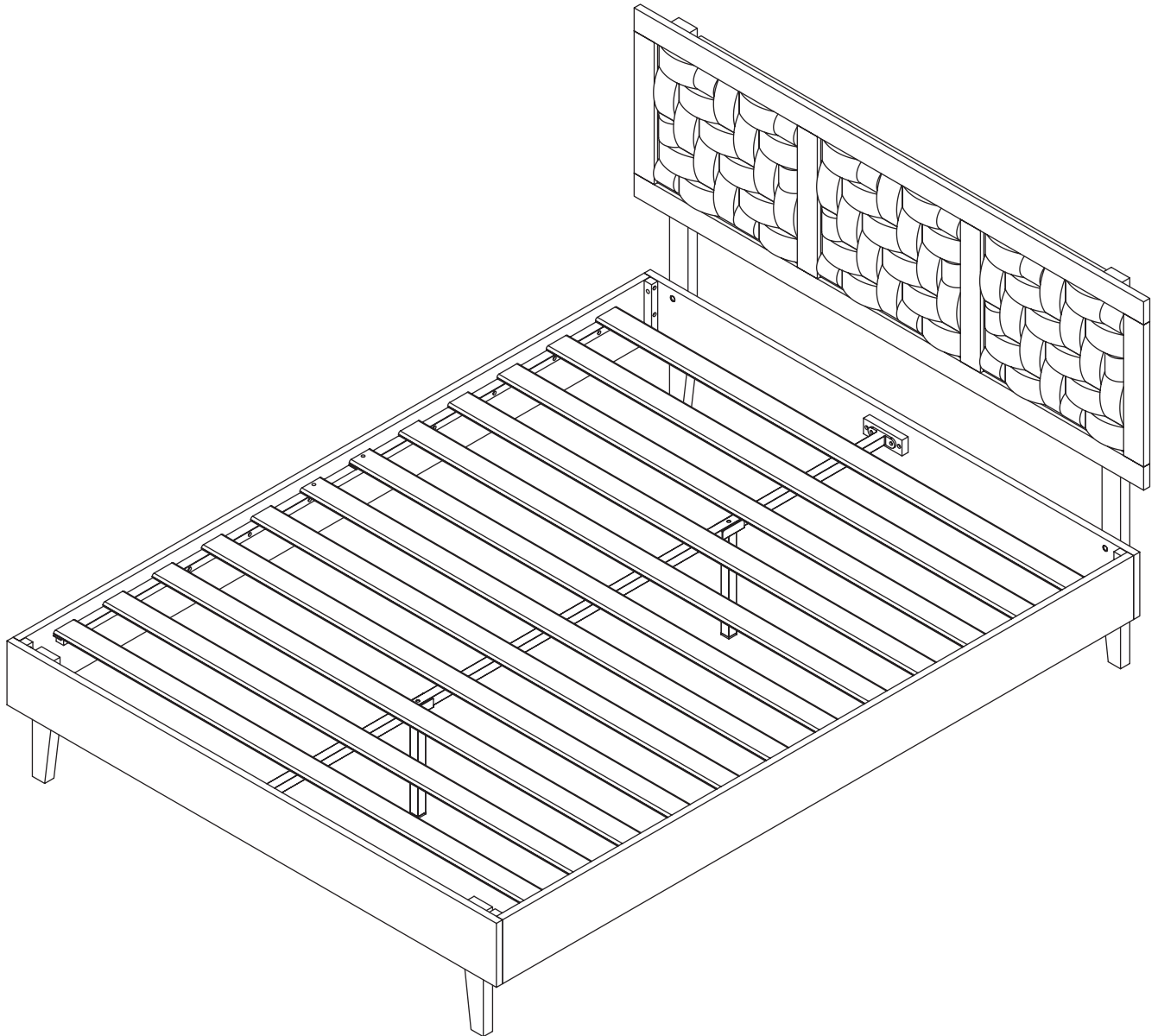
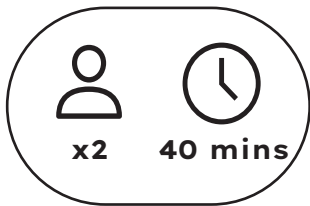
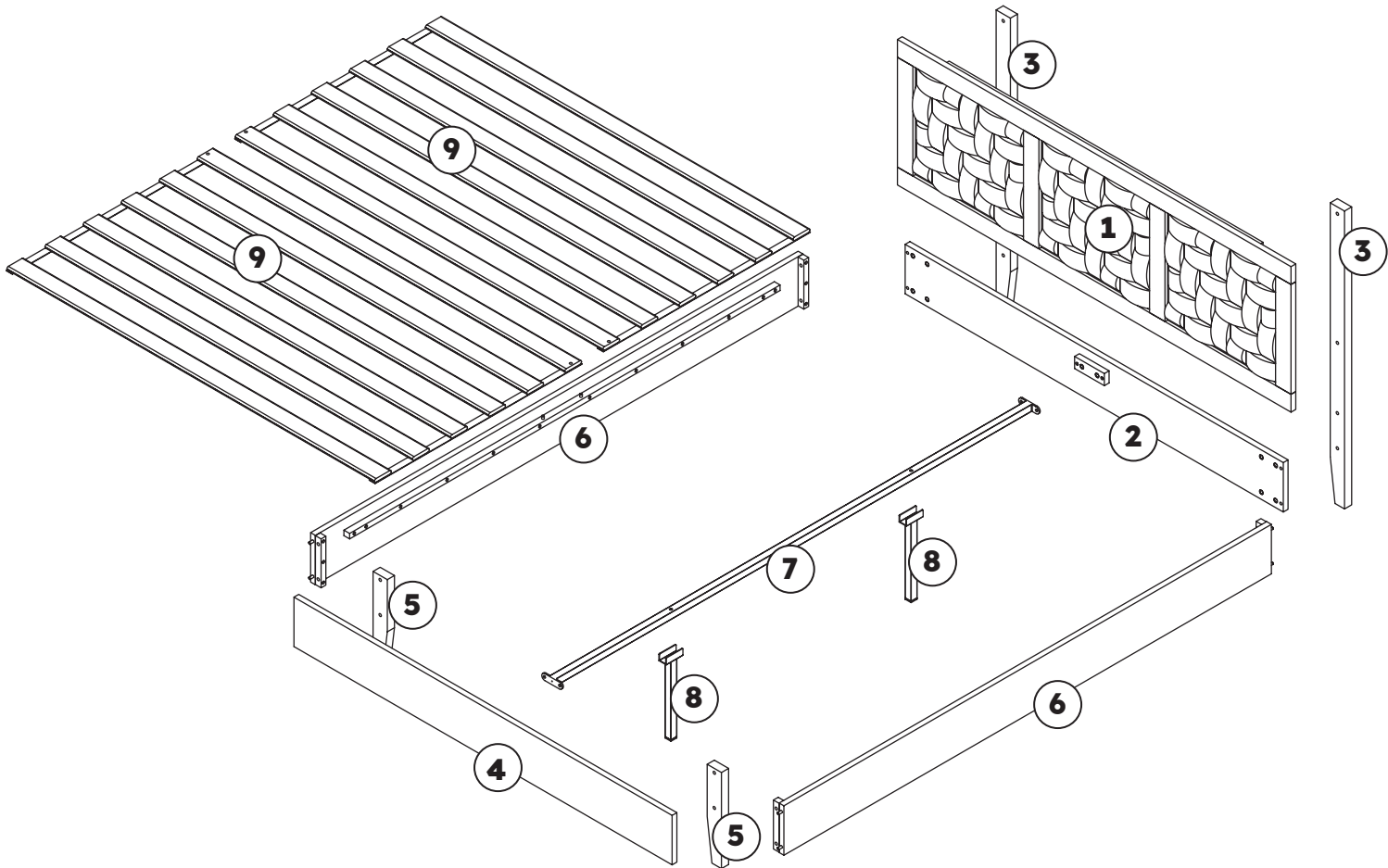






AM - Bed Frame

Assembly Instructions



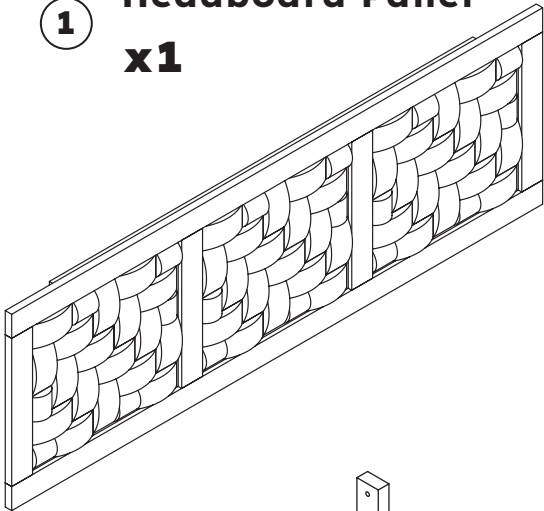
Overview



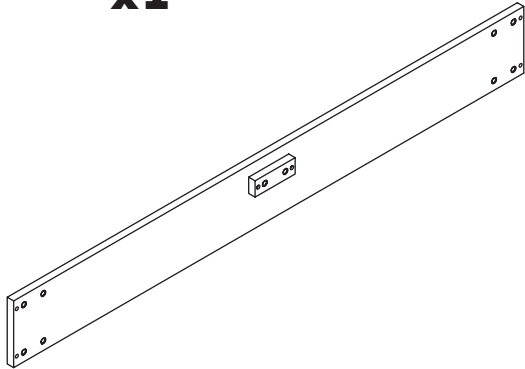
-
-  **IMPORTANT:** 2 persons needed for assembly. This will help to minimize potential damage to the product or injury to persons during assembly.
 -  There are inner box(es) that include components required to complete this assembly.
 -  Please do not completely tighten all the hardware, until each assembly step is complete.
 -  Before discarding the packaging, please use the checklist to ensure that you have all the parts required to assemble your product. Please kindly note you will need the original package if you want to return the product later.

Parts

1 Headboard Panel
x1



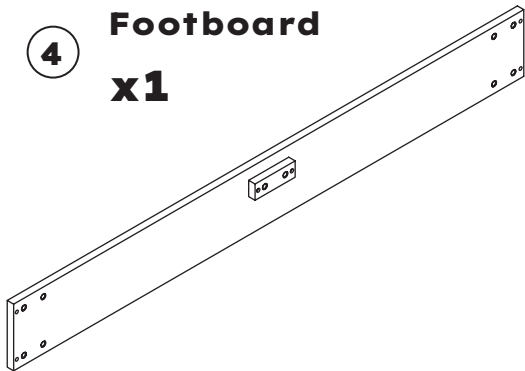
2 Stretcher
x1



3 Front Leg
x2



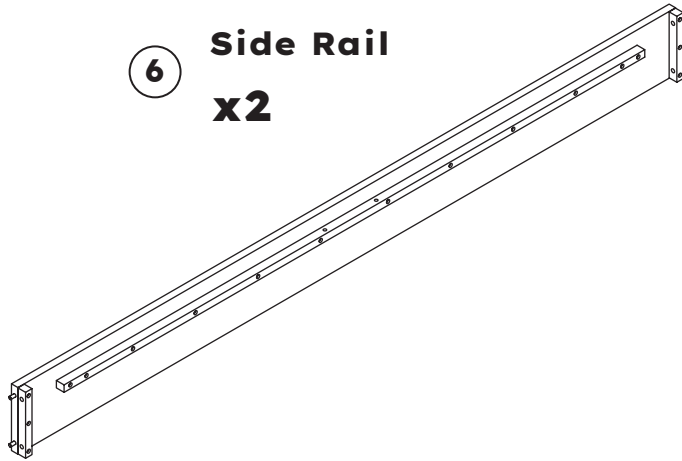
4 Footboard
x1



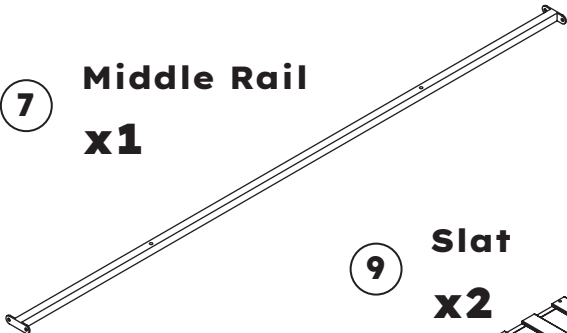
5 Rear leg
x2



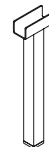
6 Side Rail
x2



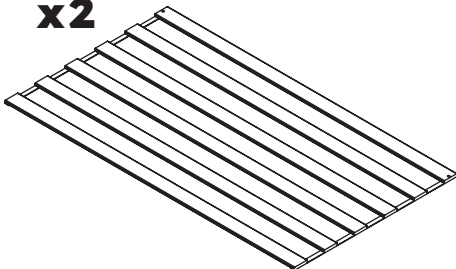
7 Middle Rail
x1



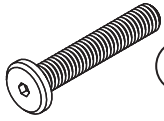
8 Middle Leg
x2



9 Slat
x2

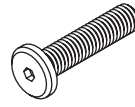


Hardware



A

**Bolt M8 x 45
x12**



B

**Bolt M8 x 35
x10**



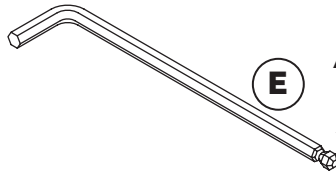
C

**Bolt M8 x 20
x4**



D

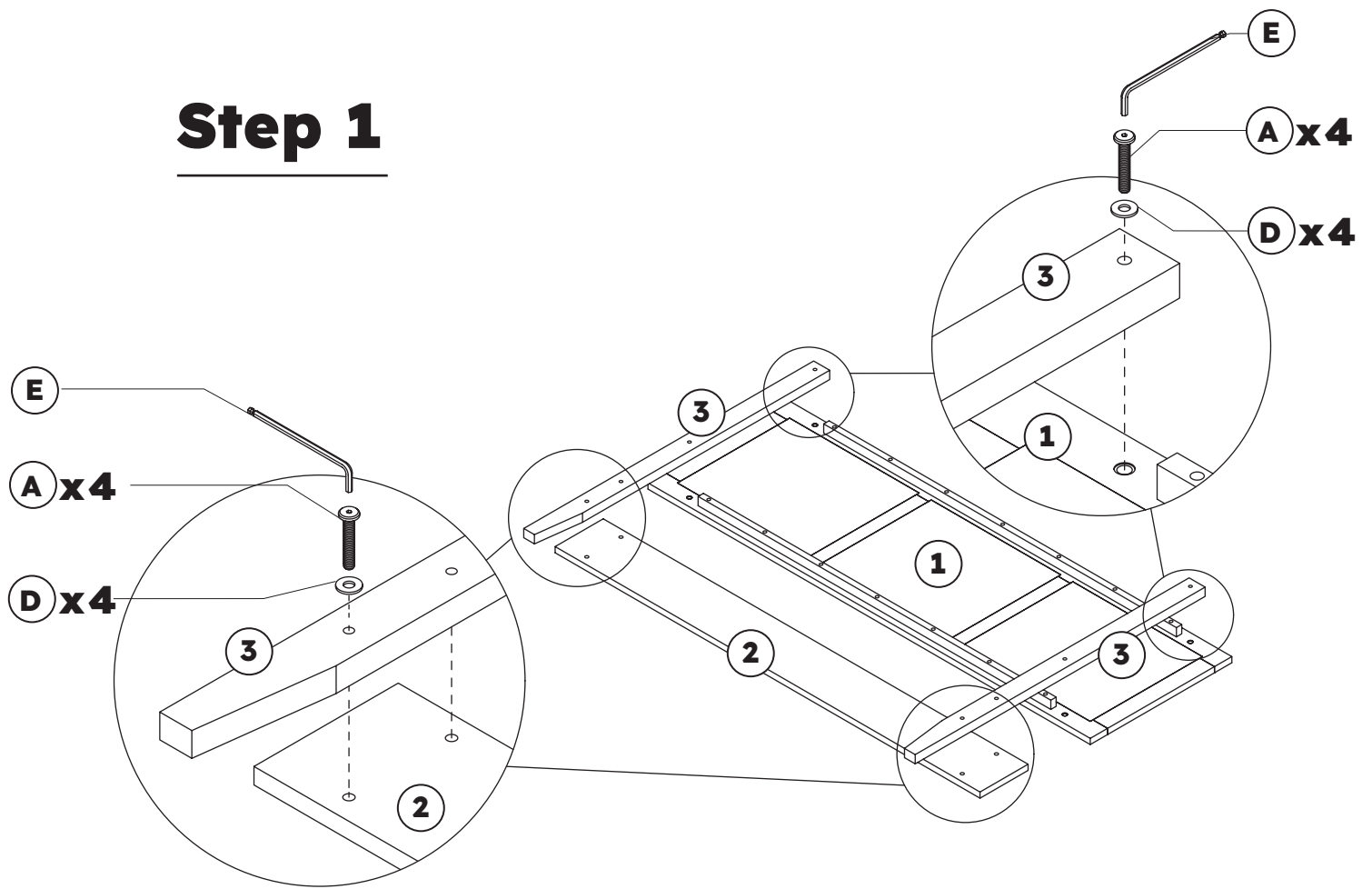
**Washer Ø22 x Ø8.5
x26**



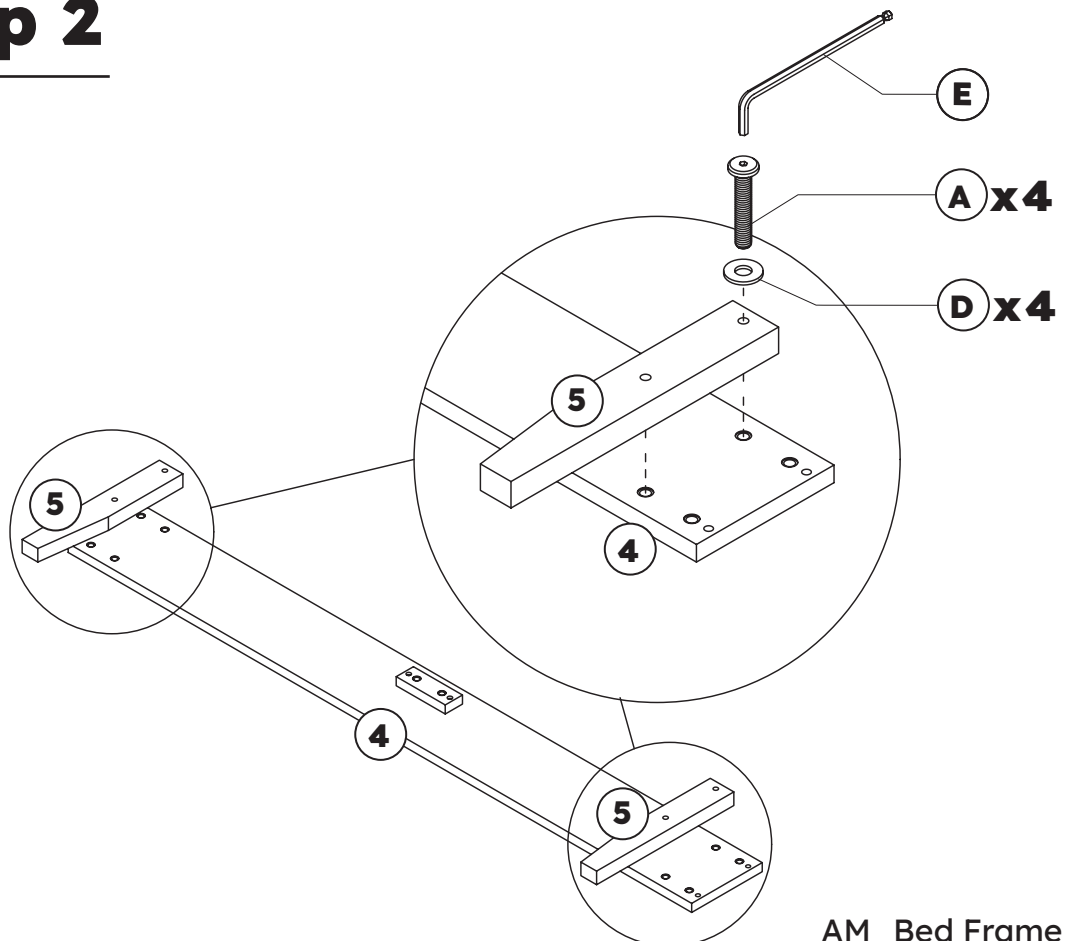
E

**Allenkey 5mm
x1**

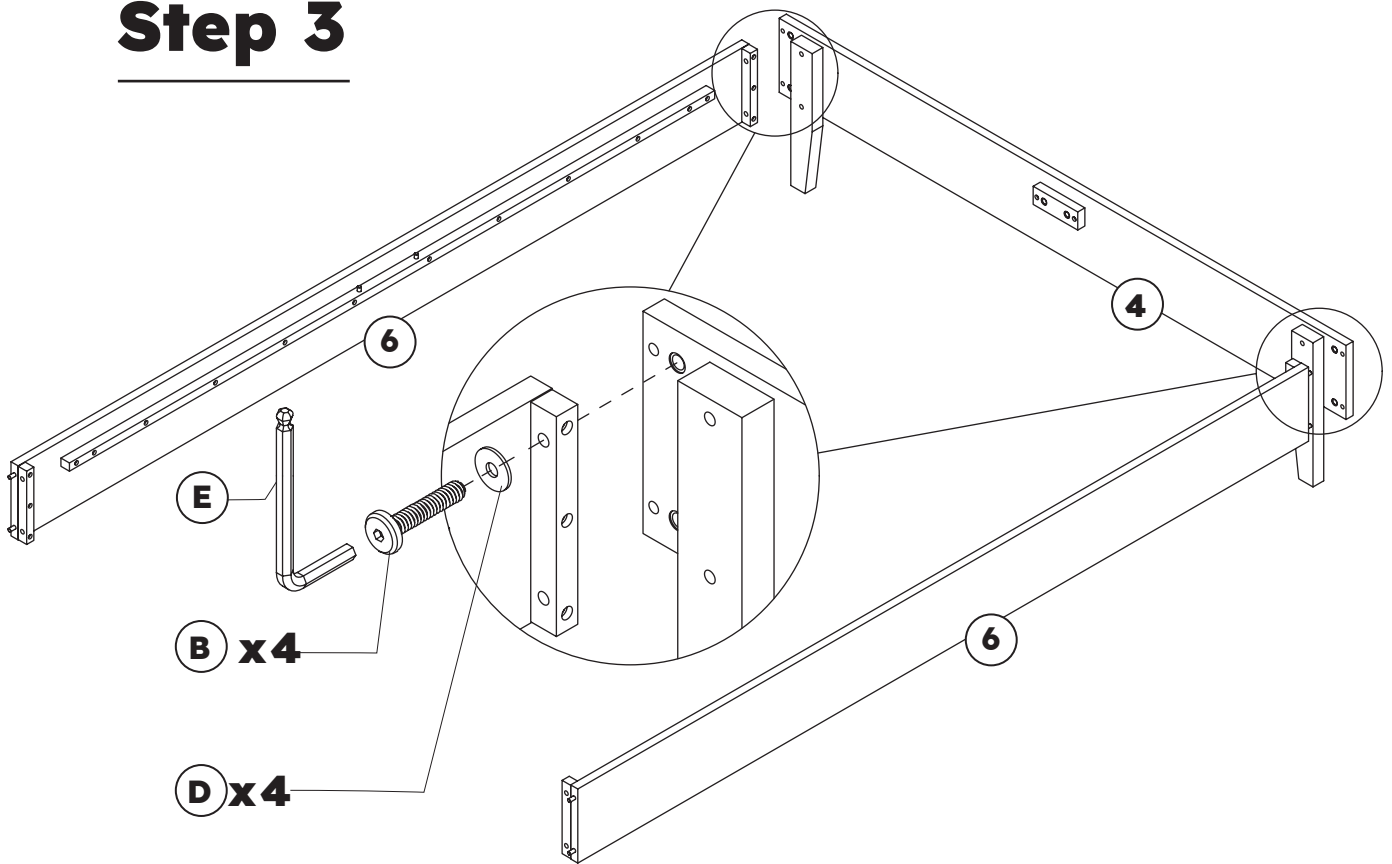
Step 1



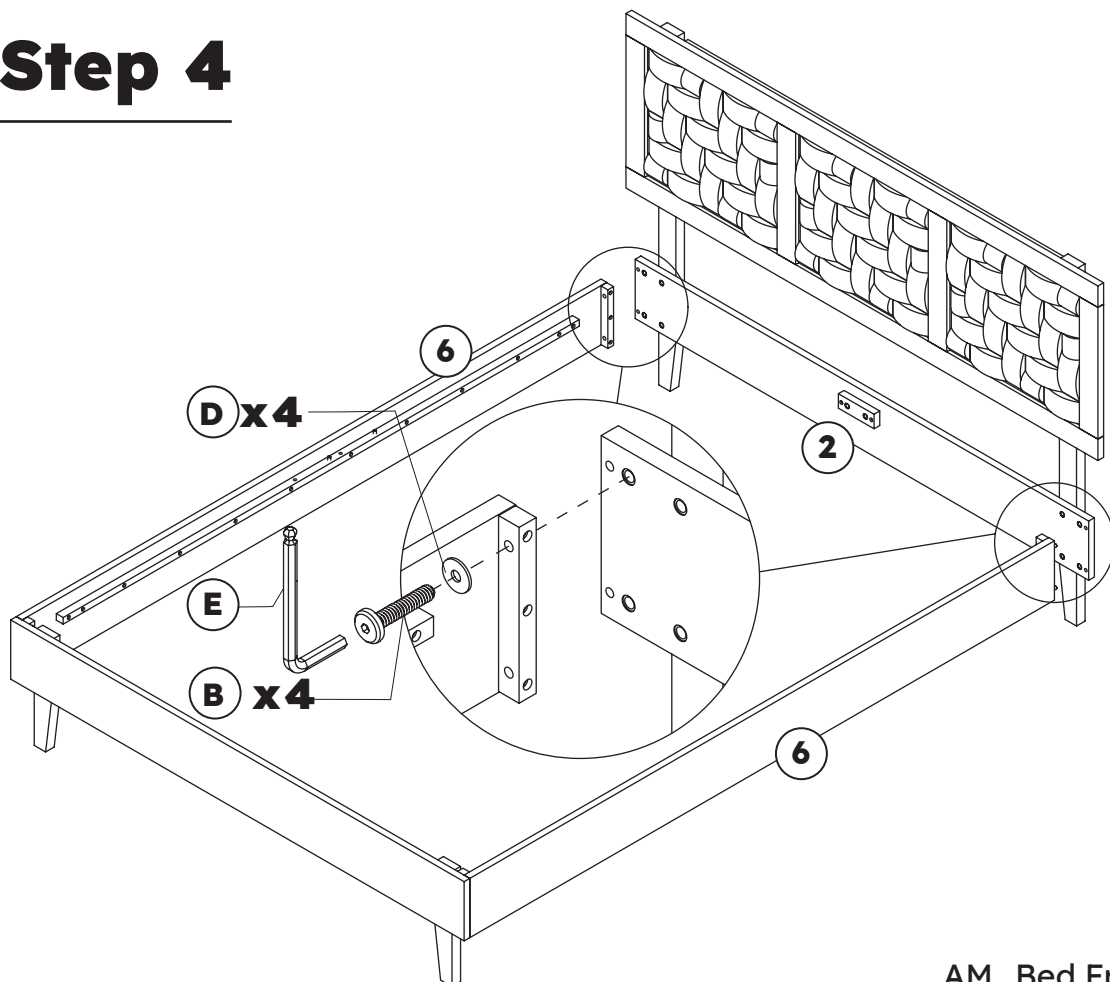
Step 2



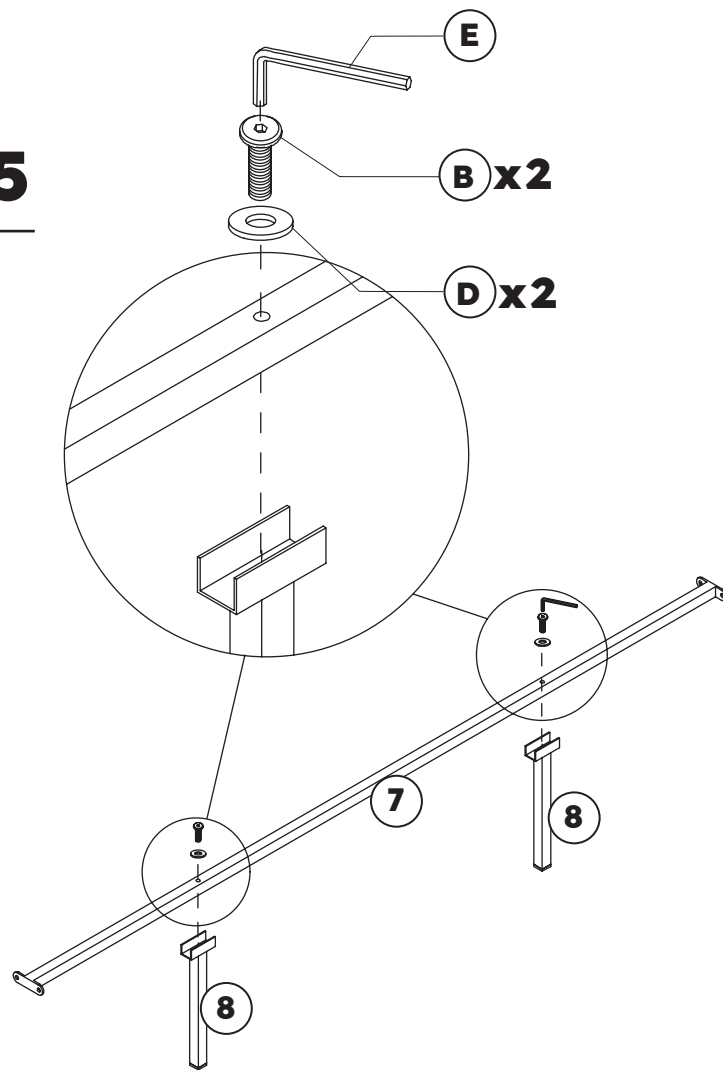
Step 3



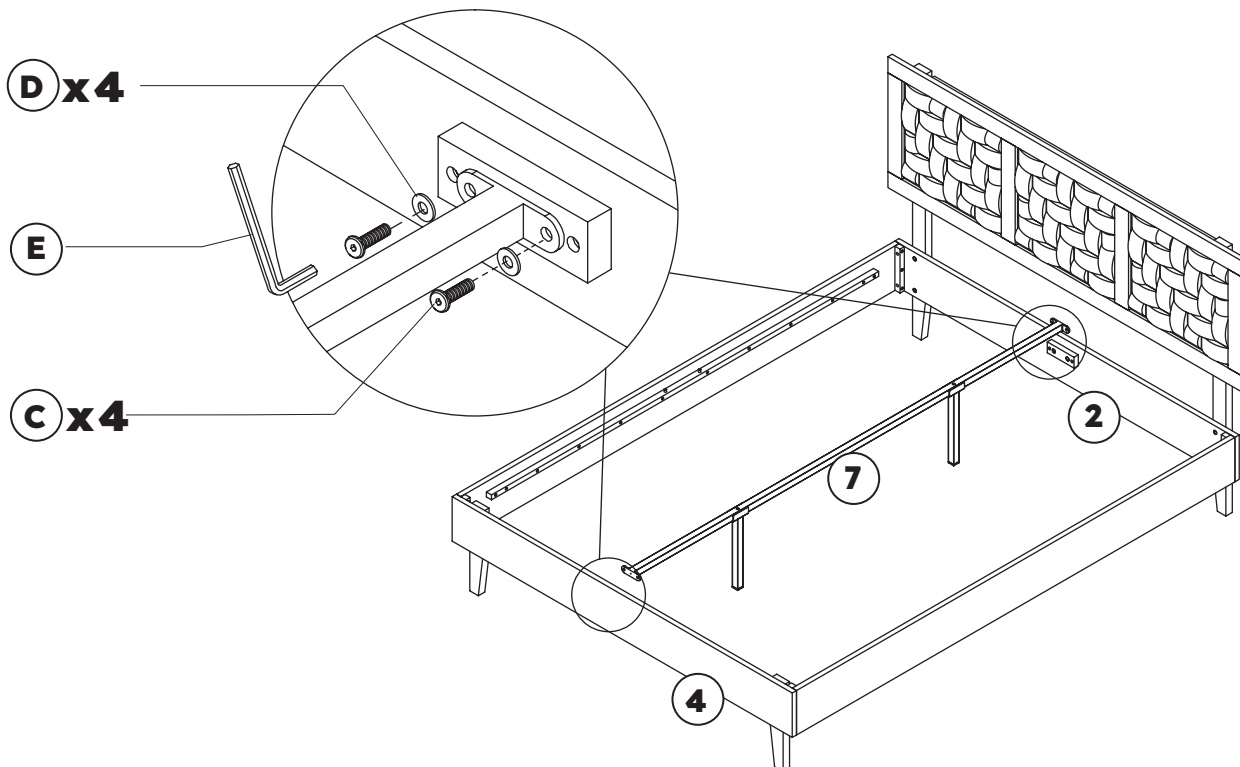
Step 4



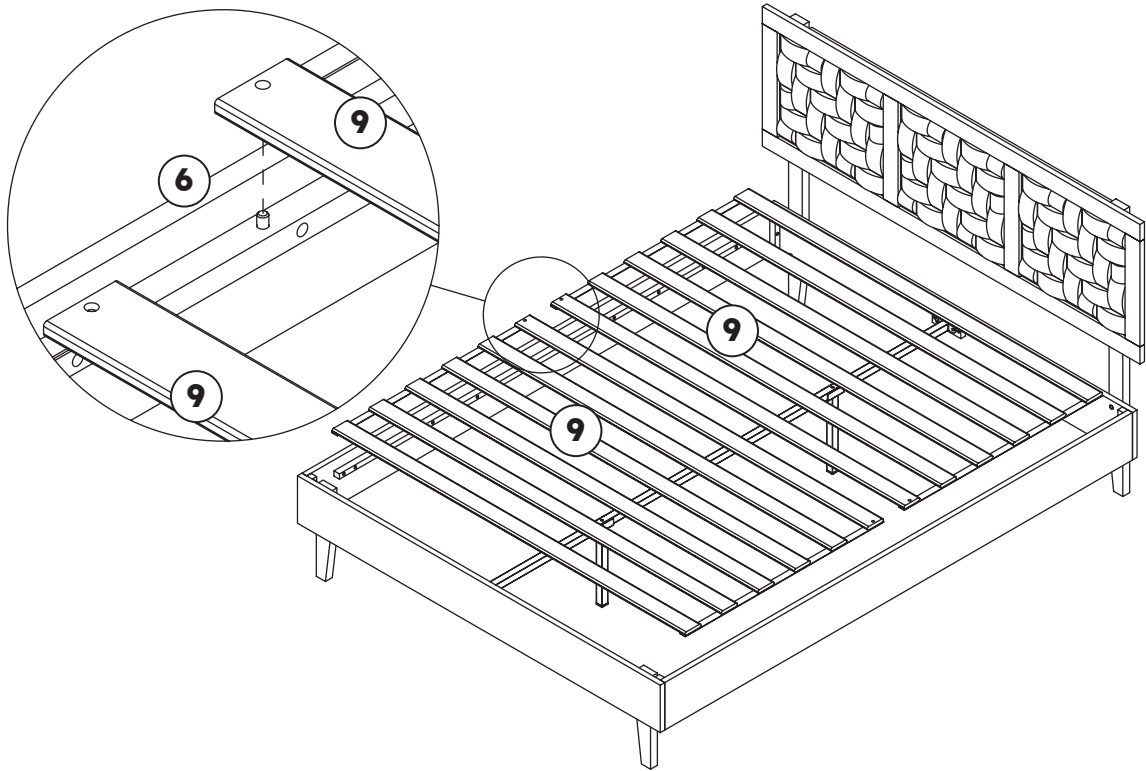
Step 5



Step 6



Step 7



Finish

