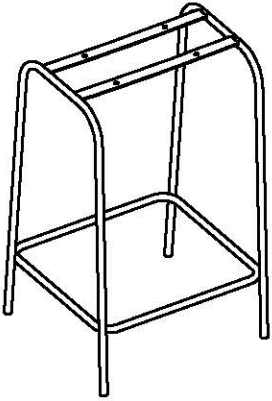
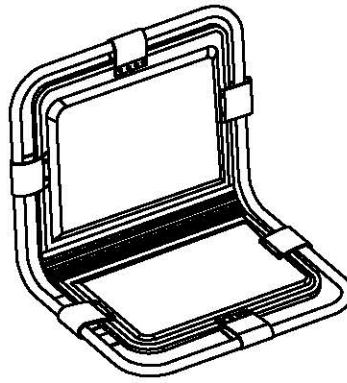


# ASSEMBLY INSTRUCTION

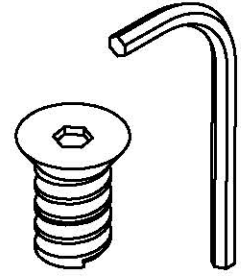
## COMPONENTS



IRON BASE 1PC.



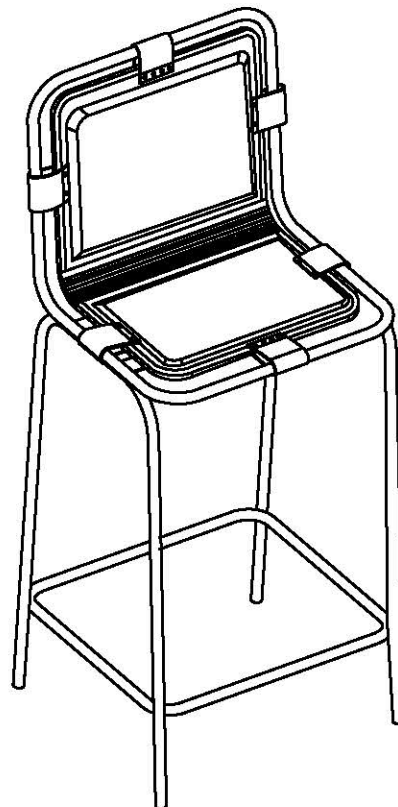
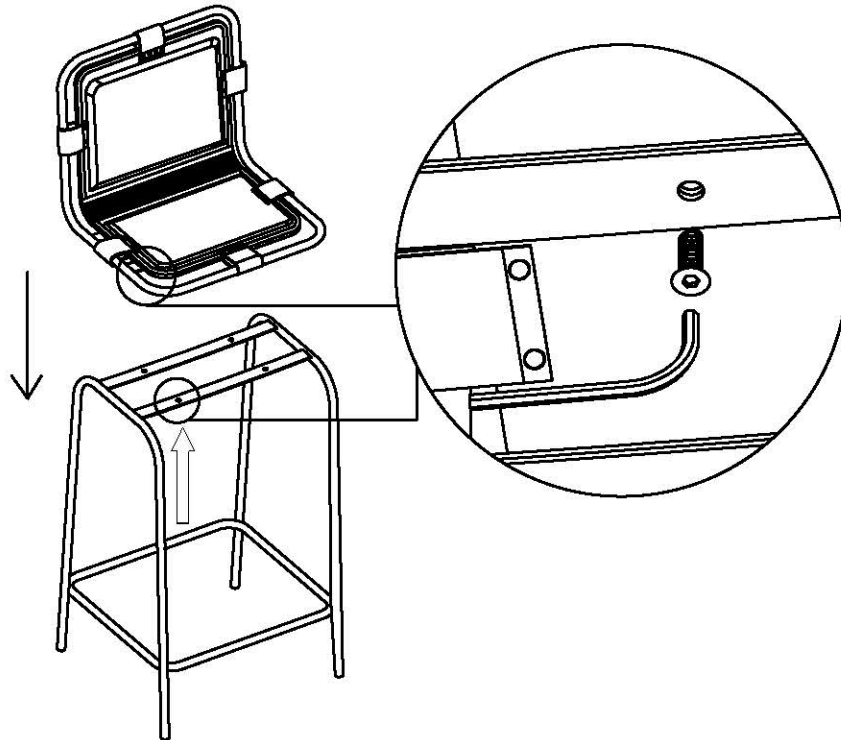
SEAT 1PC.



4 PC.

1 PC.

## STEP 1.



FULLY ASSEMBLED  
STRUCTURE