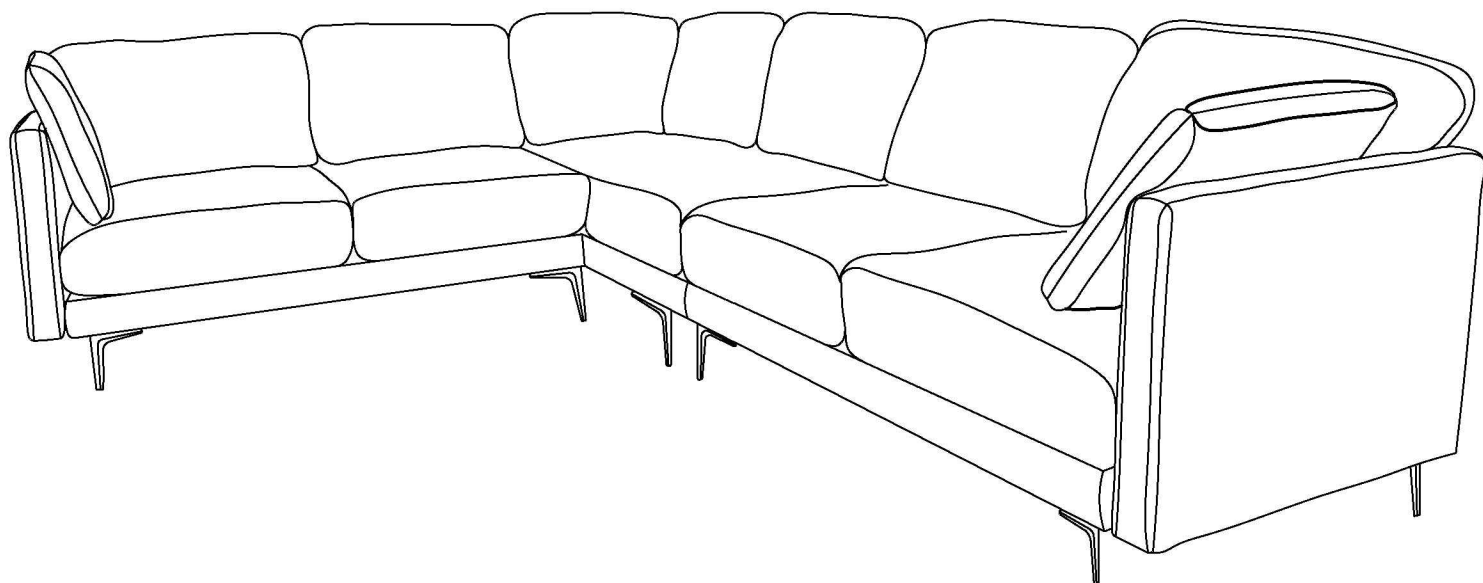
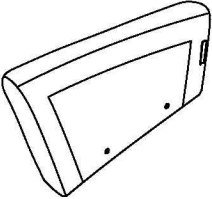
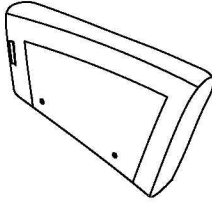
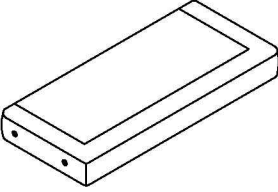
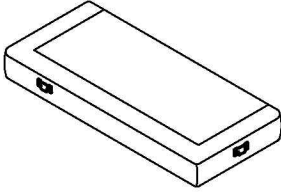
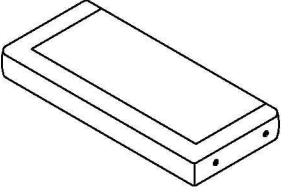
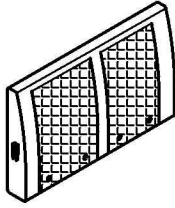
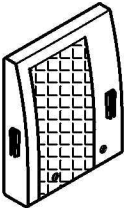
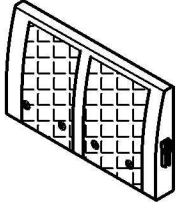
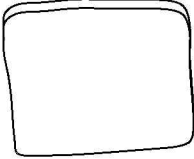
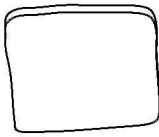
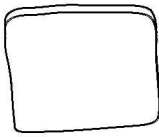
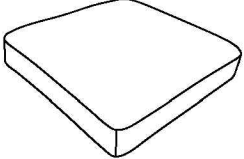
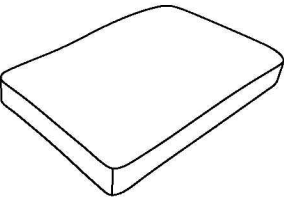
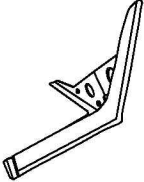


ASSEMBLY INSTRUCTIONS

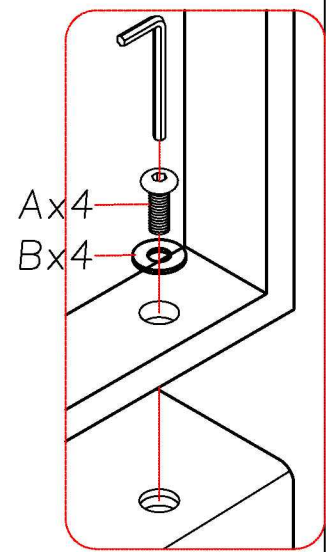
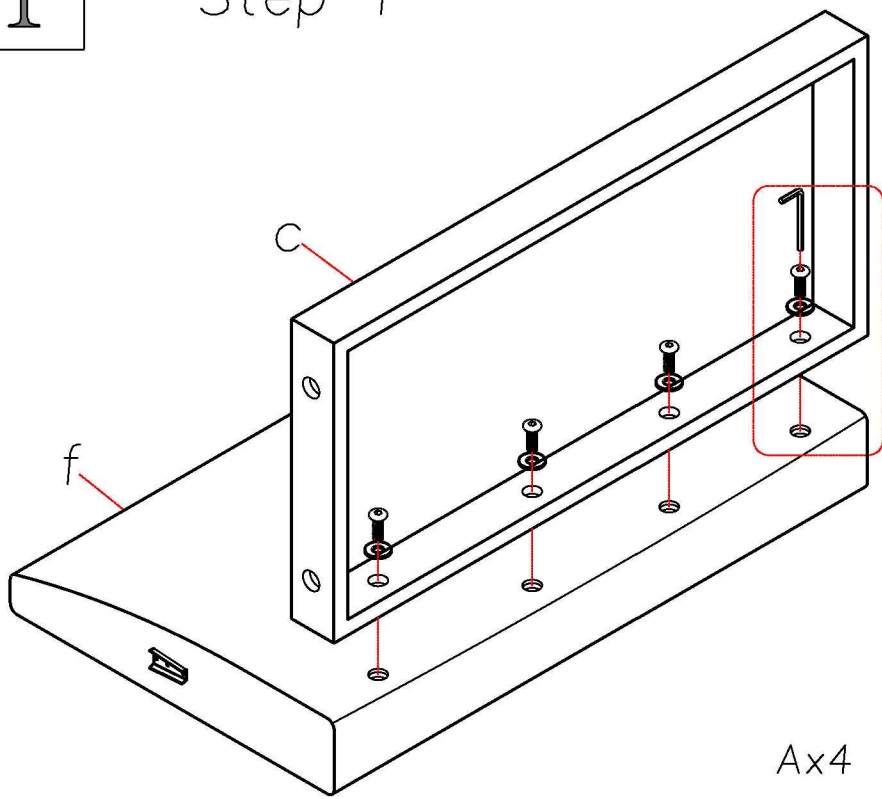


a x1	b x1	c x1	d x1
			
e x1	f x2	g x1	h x1
			
i x6	j x2	k x1	l x4
			
m x1	n x12		
			

Ax18		M8x40mm
Bx54		φ8.5*φ22
Cx36		M8x25mm
Dx1		M8

1

Step 1

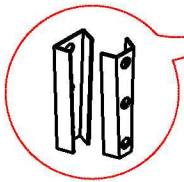
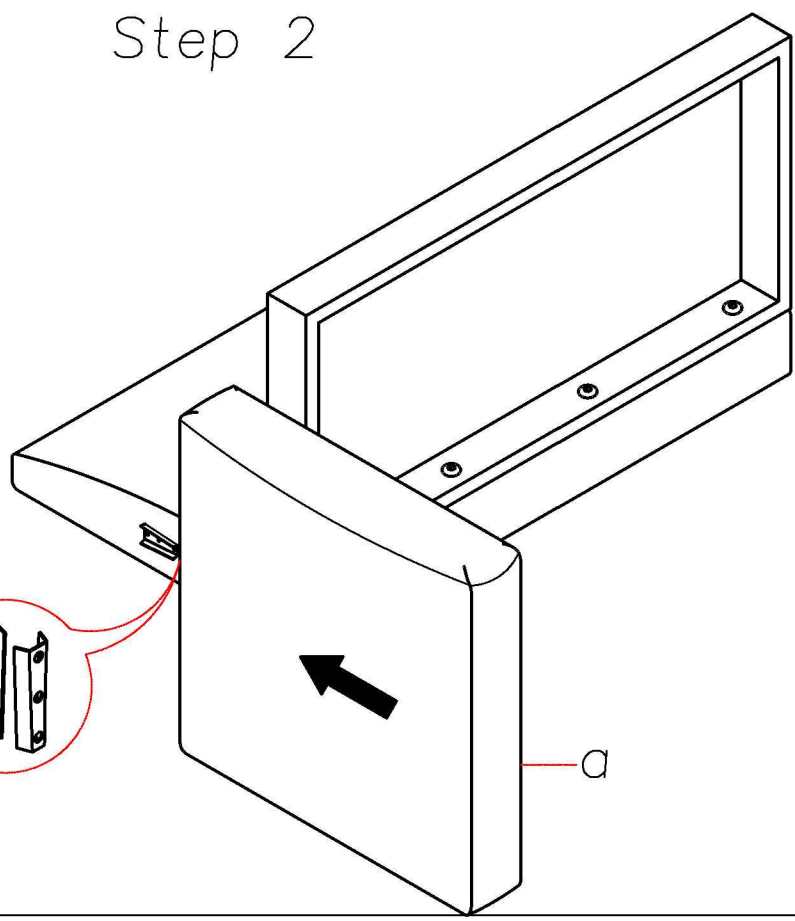


Ax4
Bx4



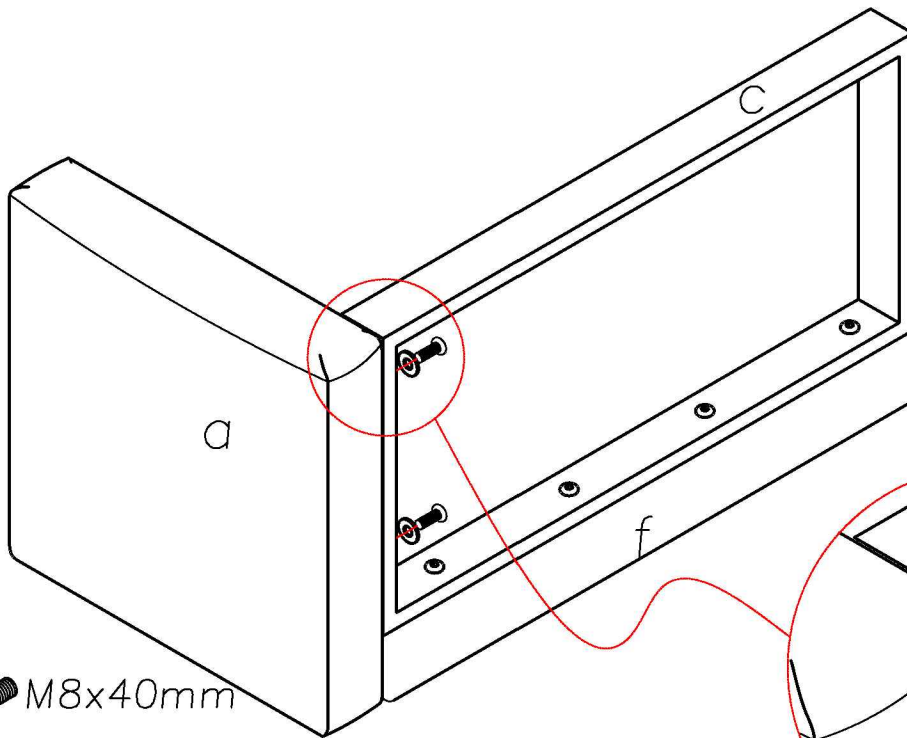
M8x40mm

Step 2



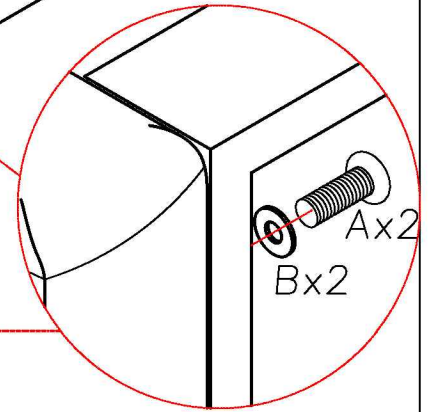
2

Step 3

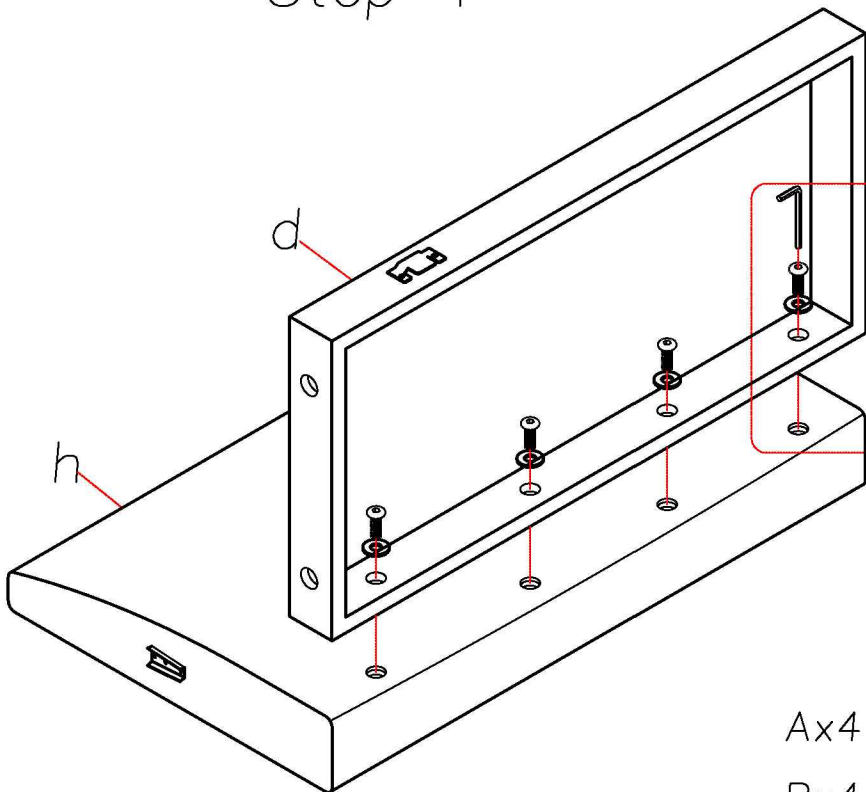


Ax2  M8x40mm

Bx2 



Step 4

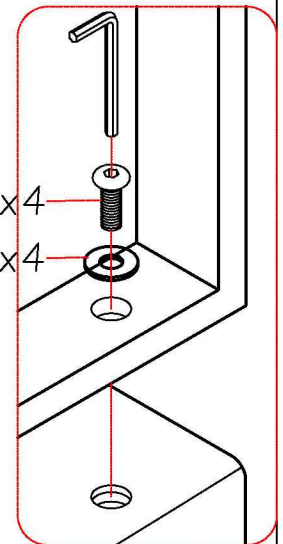


Ax4

Bx4

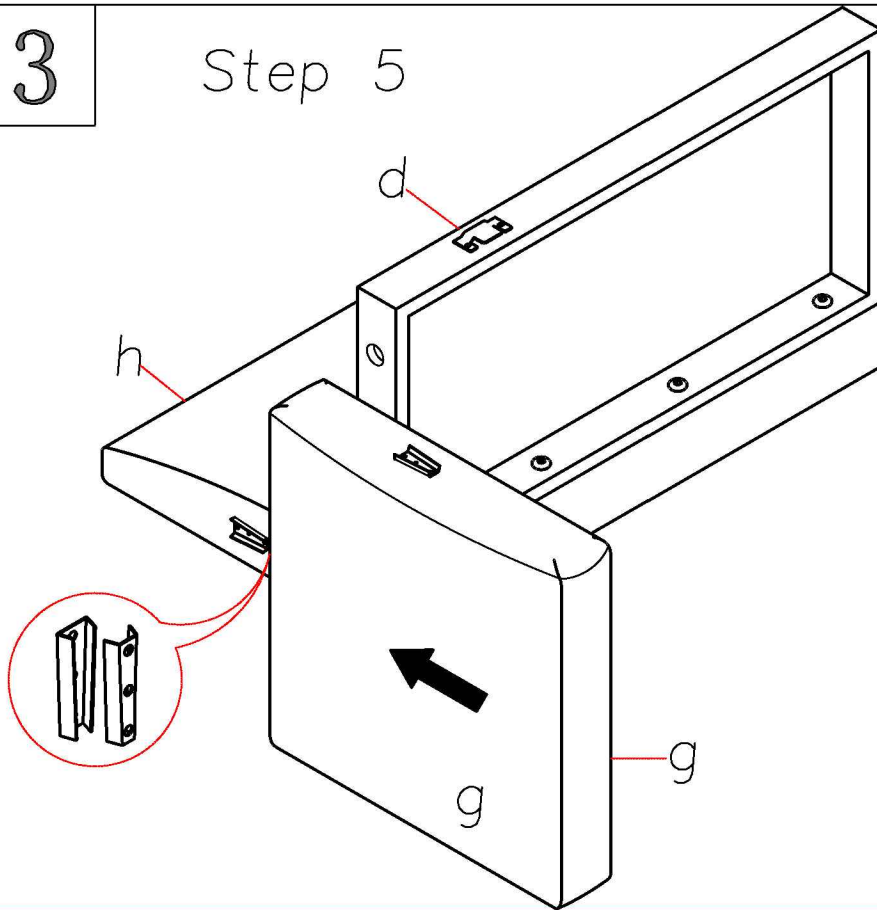


M8x40mm

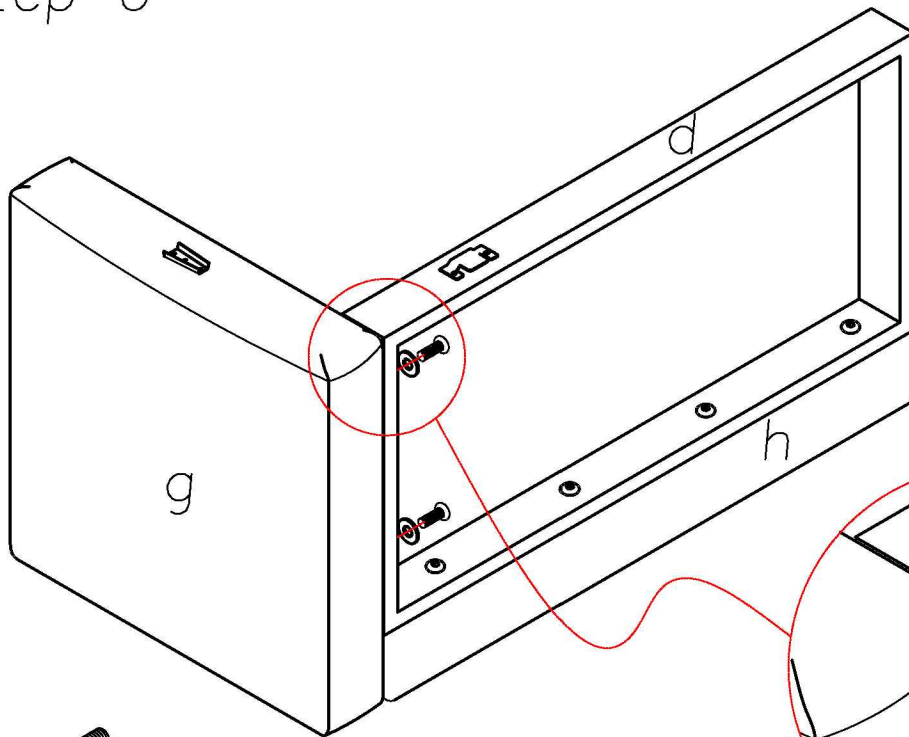


3

Step 5



Step 6

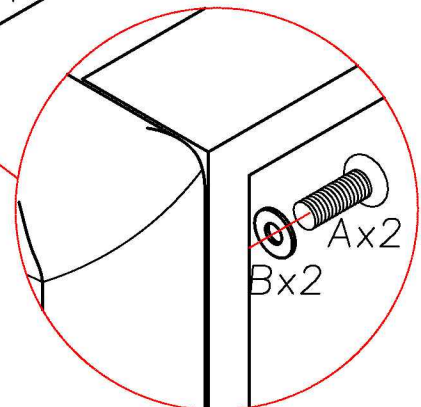


Ax2



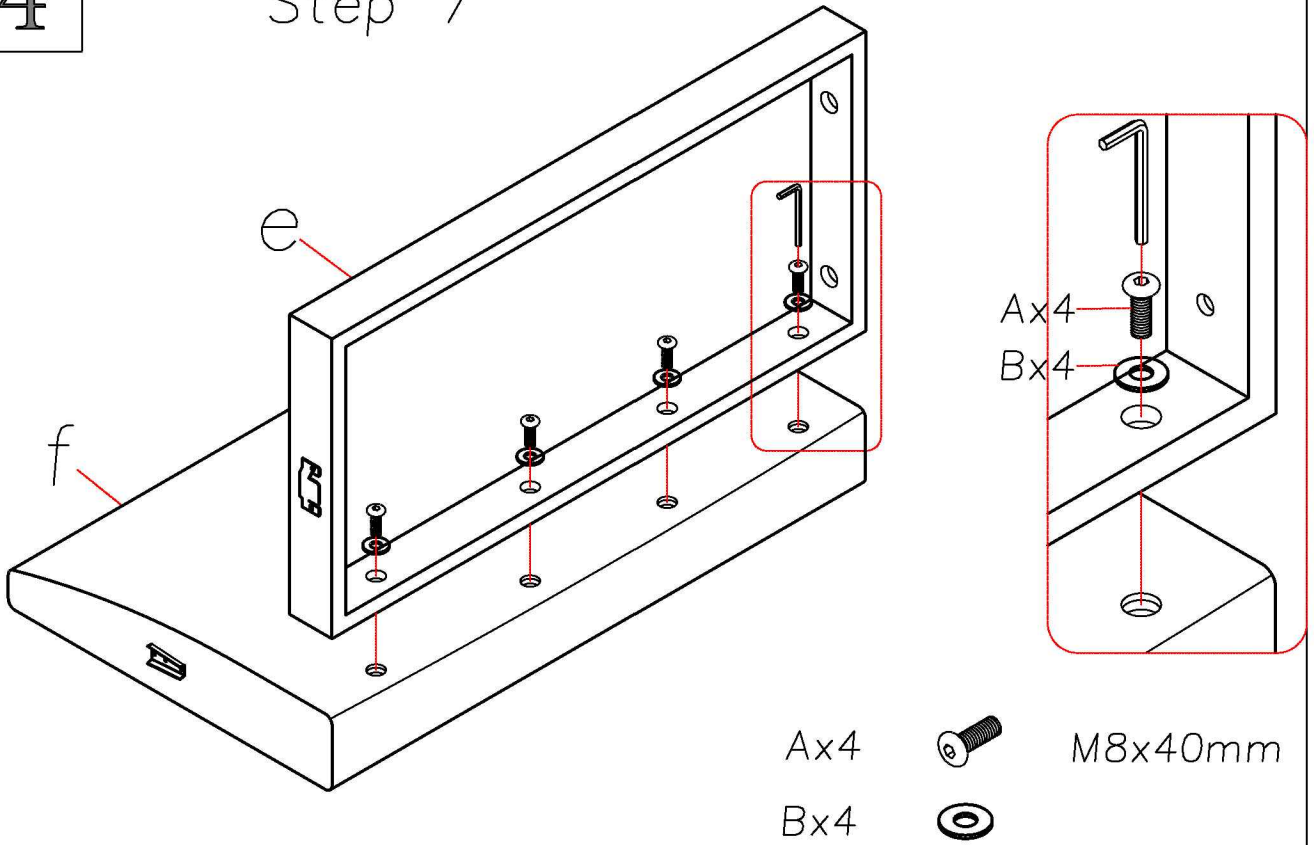
M8x40mm

Bx2

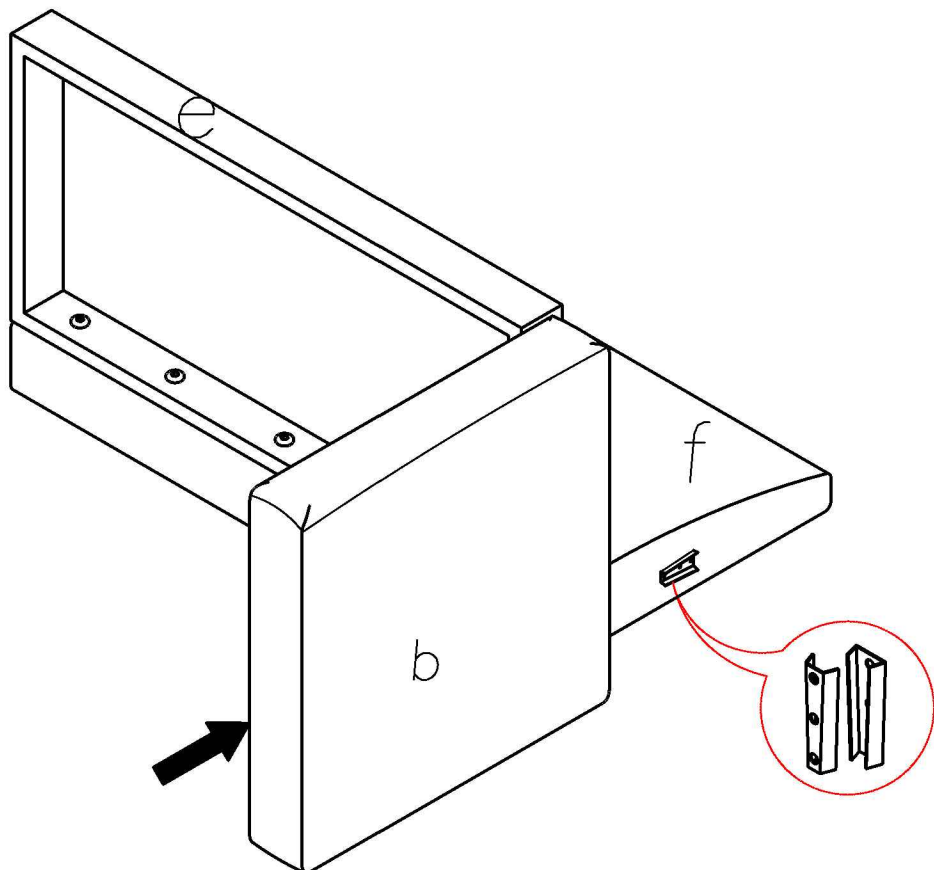


4

Step 7

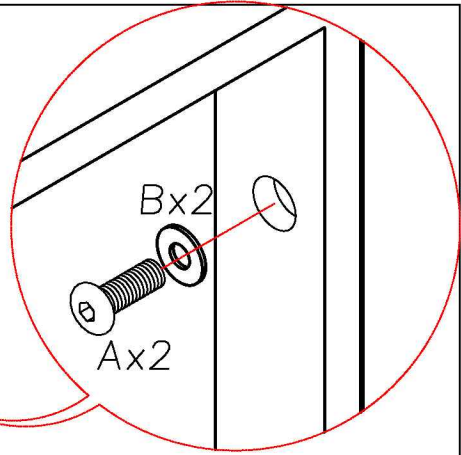
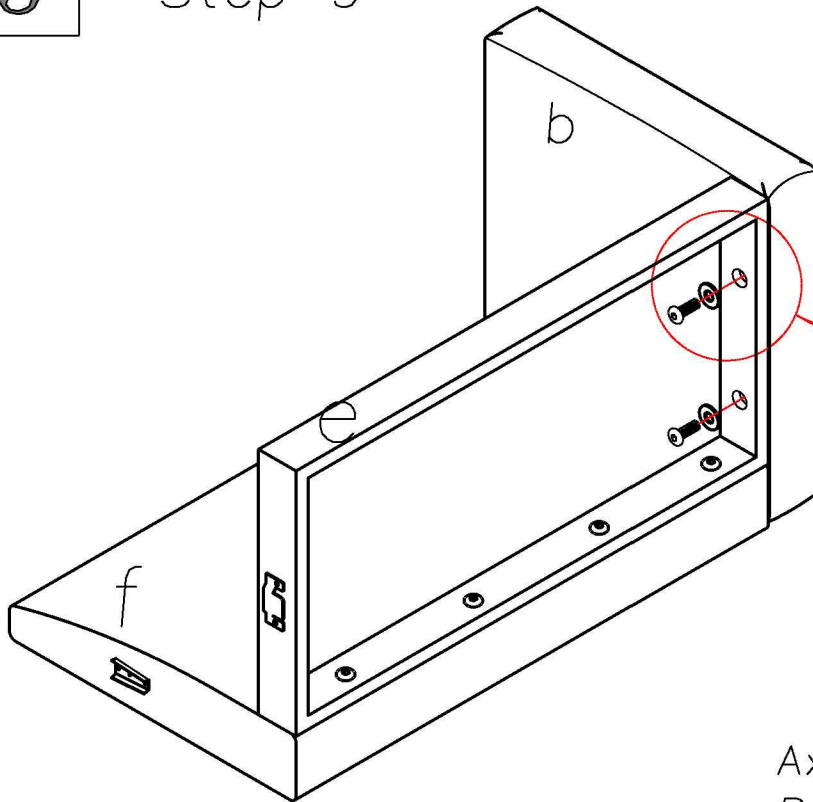


Step 8



5

Step 9

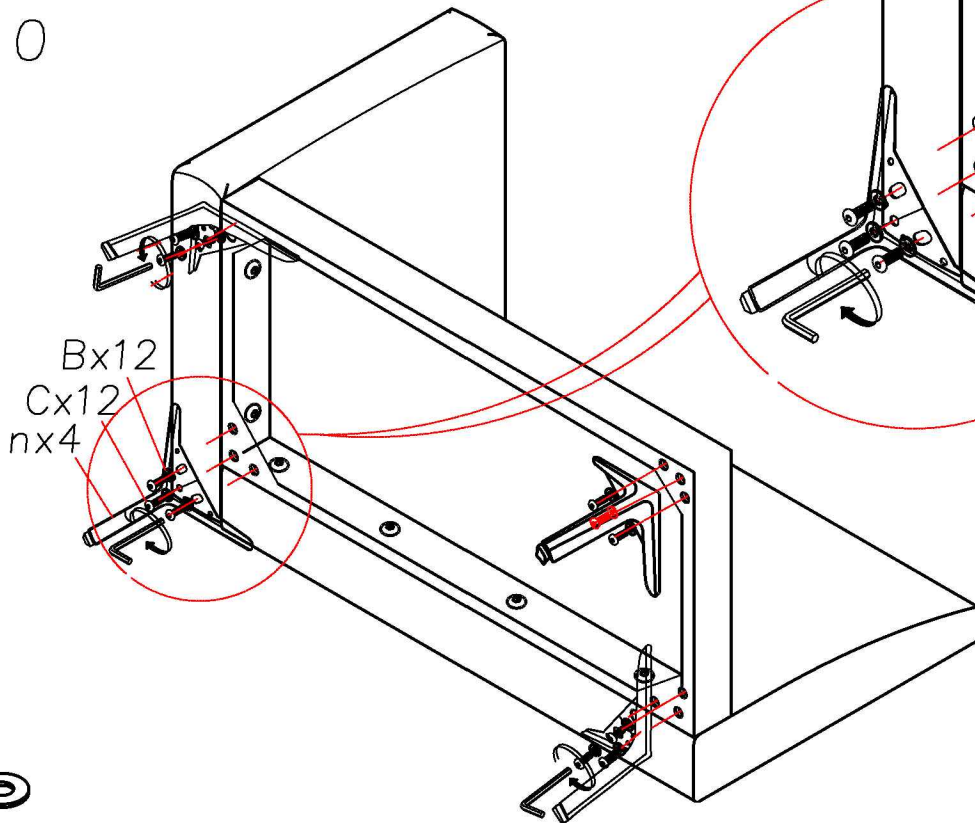


Ax2
Bx2



M8x40mm

Step 10



Bx12
Cx12
nx4

Bx12



Cx12

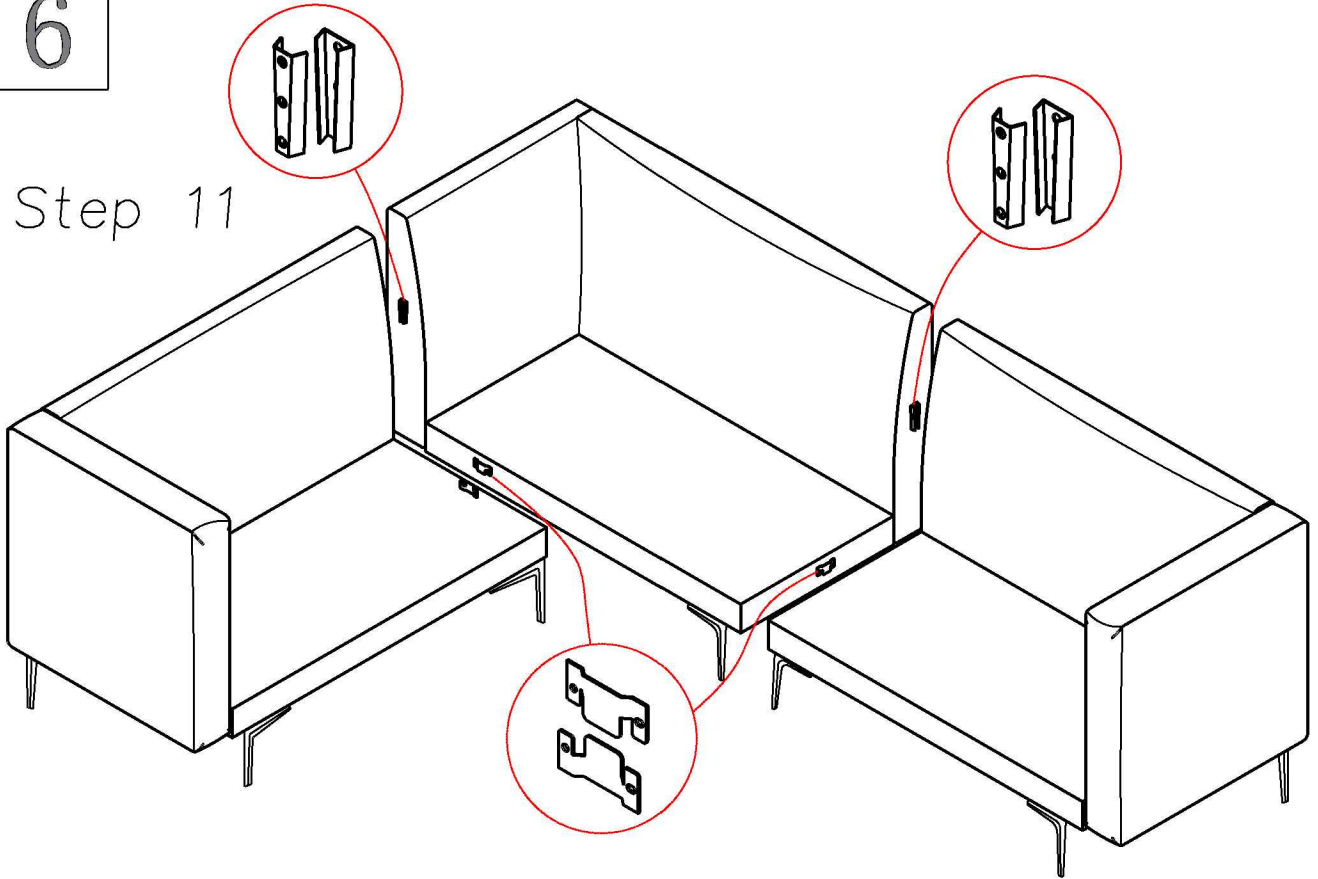


M8x25mm

x3

6

Step 11



Step 12

