

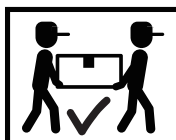
ASSEMBLY INSTRUCTIONS

ASSEMBLY TIPS:

- 1.Remove hardware from box and sort by size.
- 2.Please check to see that all hardware and parts are present prior to start of assembly.
- 3.Please follow attached instructions in the same sequence as numbered to assure fast & easy assembly.






⚠ WARNING !

- 1.Don't attempt to repair or modify parts that are broken or defective. Please contact the store immediately.
- 2.This product is for home use only and not intended for commercial establishment.



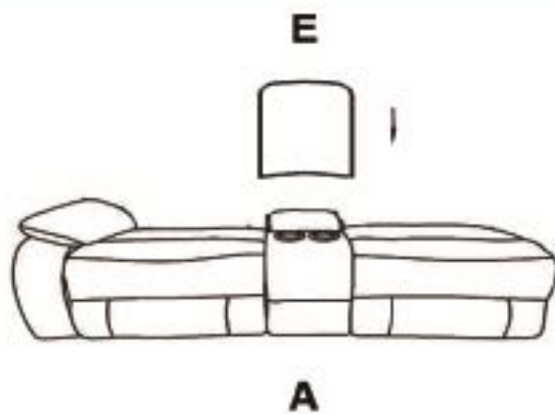
ASSEMBLY TIME PER UNIT: 15MINUTES

PARTS IDENTIFICATION

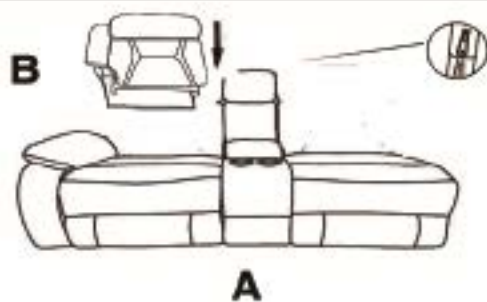
- A**  **LOVESEAT BASE** **1PC**
- B**  **LOVESEAT LEFT BACK** **1PC**
- C**  **LOVESEAT RIGHT BACK** **1PC**
- D**  **LEFT POWER CABLE** **1PC**
- E**  **CONSOLE BACK** **1PC**

ASSEMBLY INSTRUCTIONS

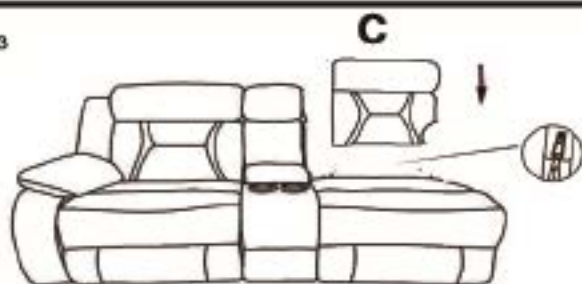
STEP 1



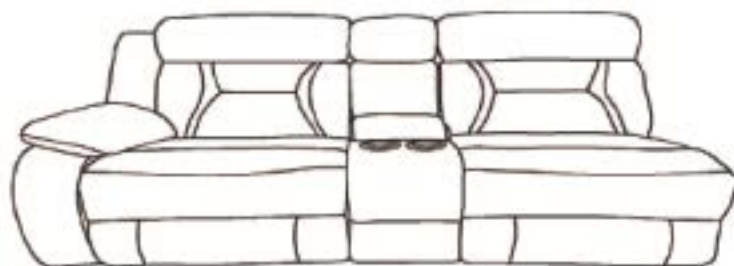
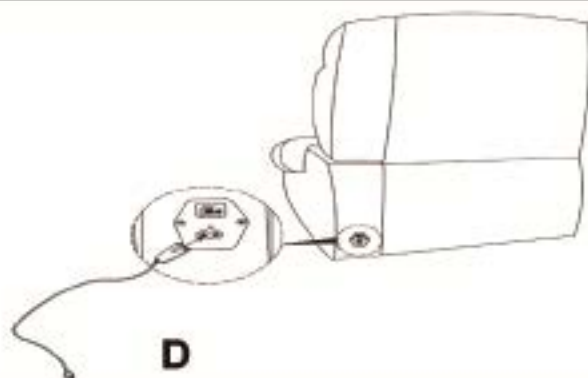
STEP 2



STEP 3

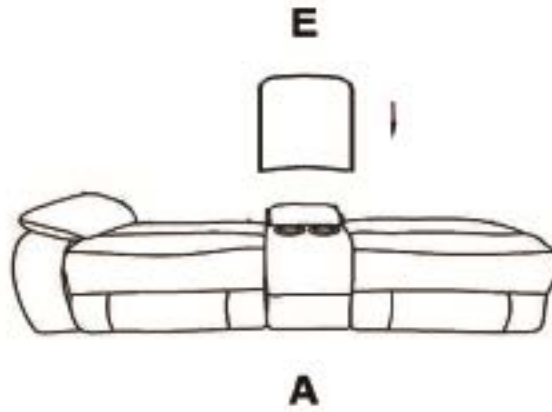


STEP 4

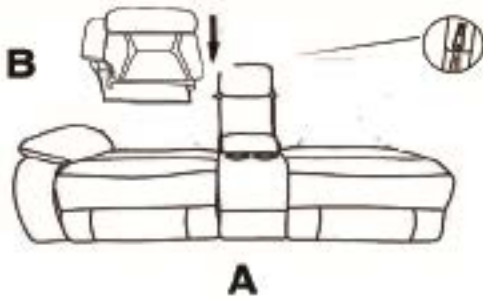


ASSEMBLY INSTRUCTIONS

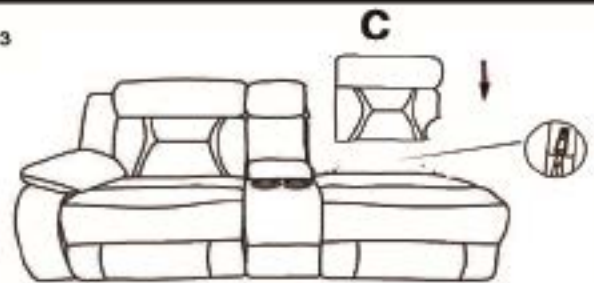
STEP 1



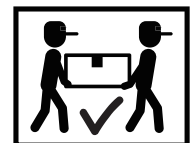
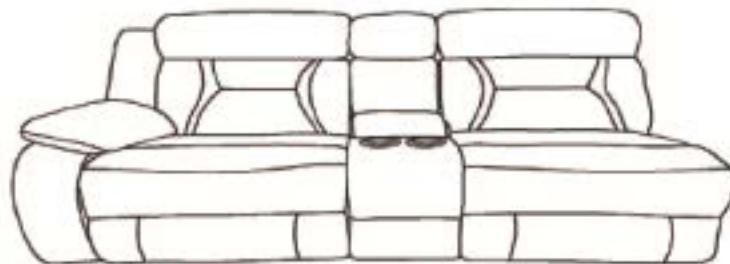
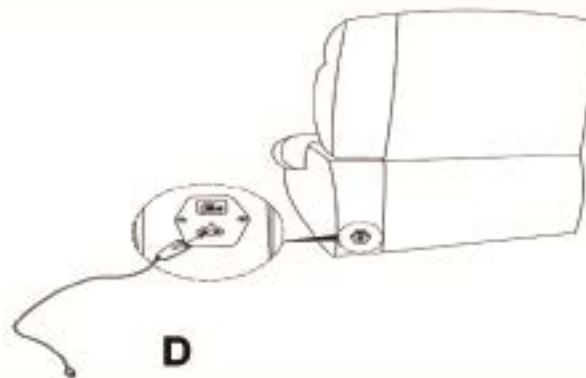
STEP 2



STEP 3





STEP 4




ASSEMBLY INSTRUCTIONS

STEP 1

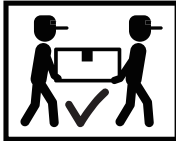

G 

F 

STEP 2



H



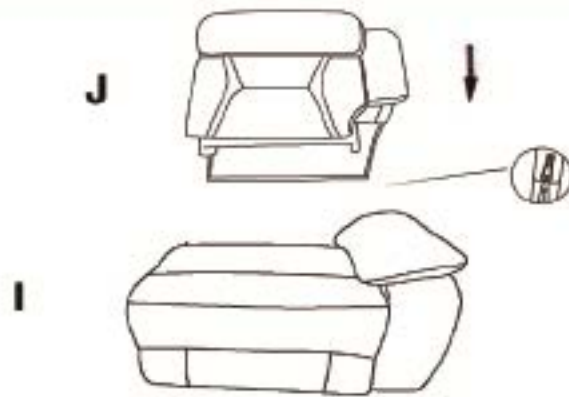
ASSEMBLY INSTRUCTIONS

PARTS IDENTIFICATION

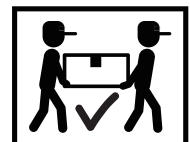


ASSEMBLY INSTRUCTIONS

STEP 1



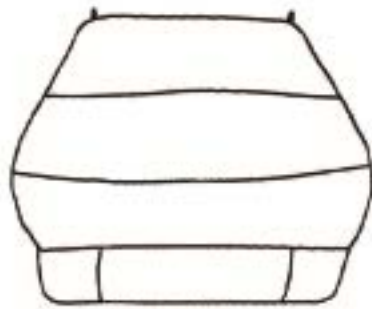
STEP 2



ASSEMBLY INSTRUCTIONS

PARTS IDENTIFICATION

L



CHAIR BASE 1PC

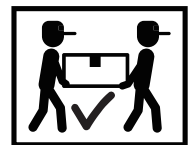
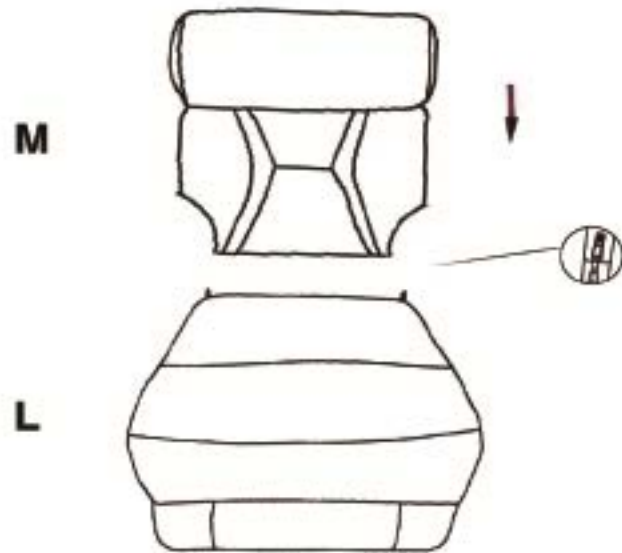
M



CHAIR BACK 1PC

ASSEMBLY INSTRUCTIONS

STEP 1



ASSEMBLY INSTRUCTIONS

PARTS IDENTIFICATION



LAF POWER LOVESEAT 1PC



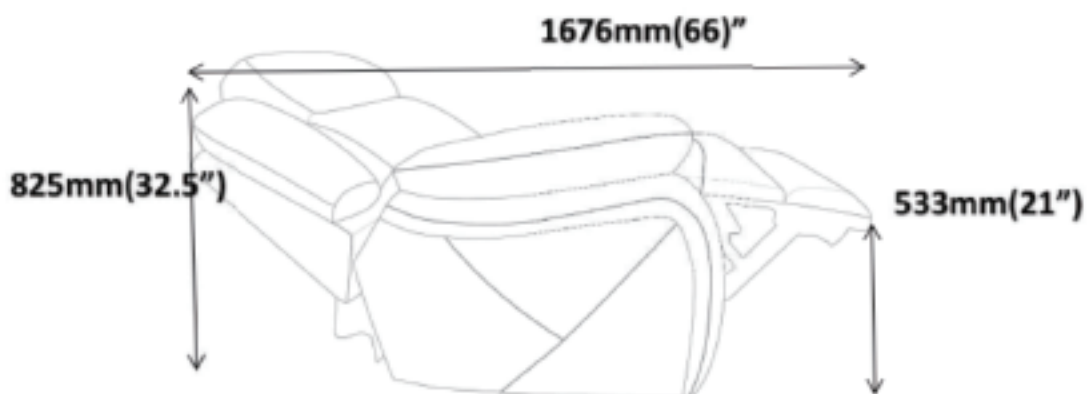
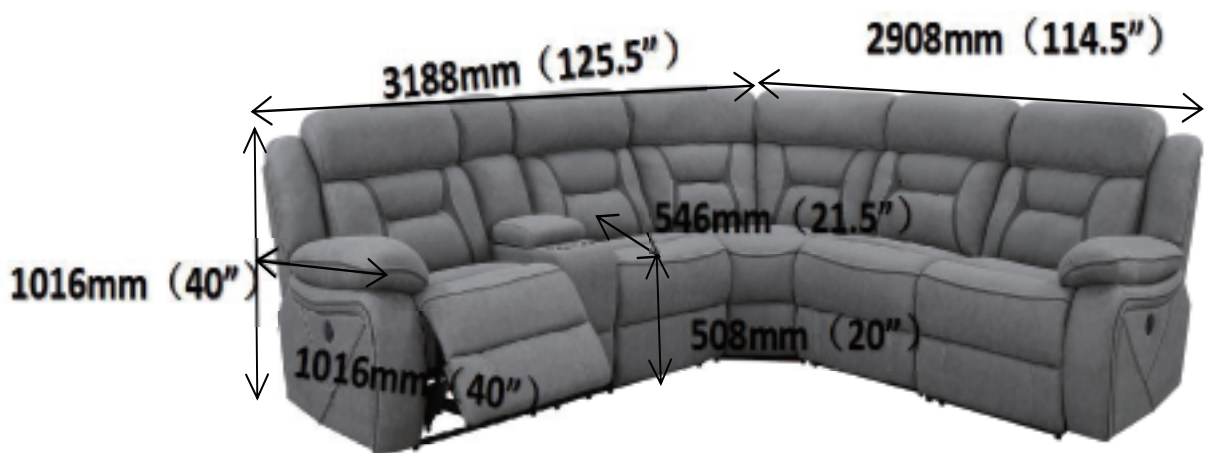
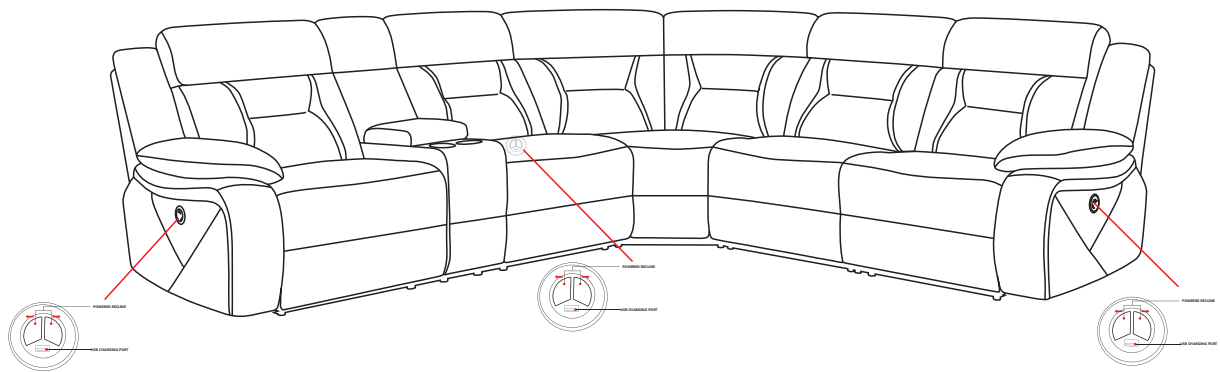
WEDGE 1PC



ARMLESS CHAIR 1PC



RAF POWER RECLINER CHAIR 1PC



Note : Dimension tolerance $\pm 5\%$

