

## NOTICE

\*Please make sure that you have all part indicated and they are in good condition before you begin assembly of this item. Refer to part list and hardware list below for guidance.

\*This item should be assembled on a soft surface to prevent scratching the finish during assembly.

\*This item may require periodic tightening.

\*If you are having difficulty, our friendly Customer Care team is always here to help.

## PREPARATION

\*Before beginning assembly of product, make sure all part are present. Compare part with part contents list and hardware contents list.

\*If any part is missing or damaged, do not attempt to assemble the product.

\*Estimated Assembly Time: 60 minutes.

\*Tools Required for Assembly (included): Allen Key

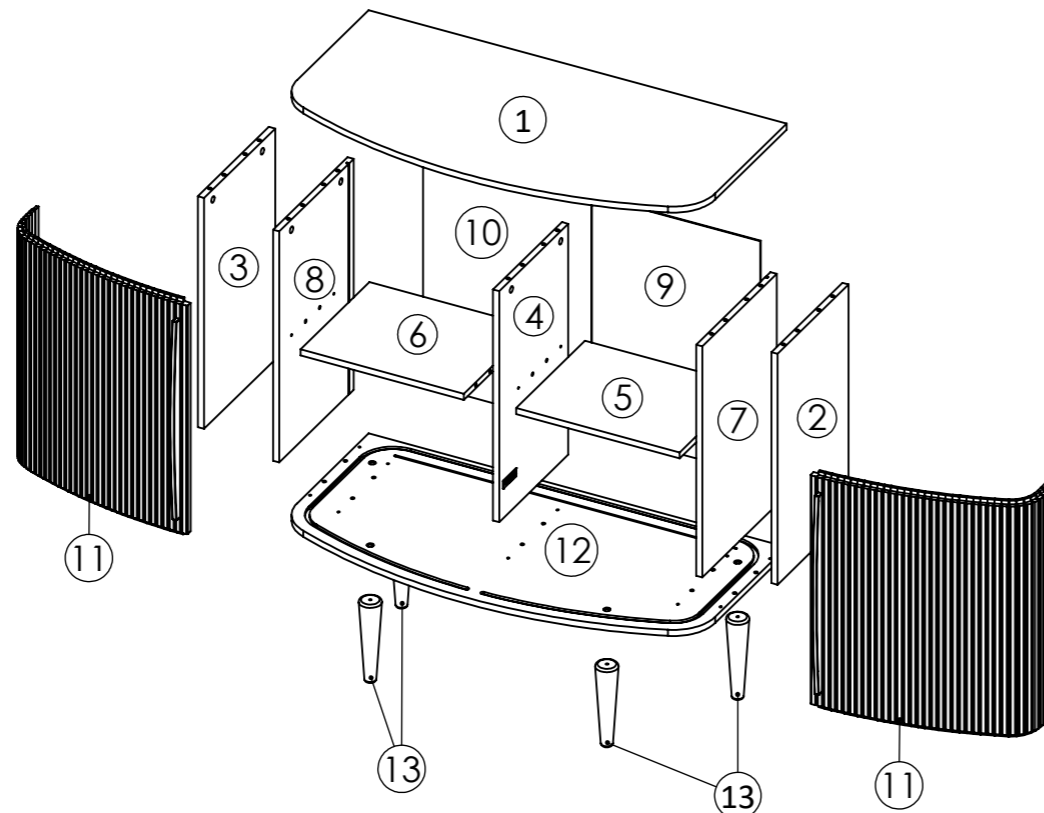
## CARE AND MAINTENANCE

Adhesive felt pads should always be applied to areas of furniture which make direct contact with flooring, said application will prevent damage to the furniture and or surfaces on which the furniture lies.

Objects placed on articles of furniture should rest on non abrasive material as to prevent damage to the wood finish. Objects whose composition consists of plastic and rubber are known to discolor and damage the wood surfaces on which they rest. Wipe up spills immediately and avoid common hazards such as hot dishes, harsh solvents and abrasives. Cleaning should be done with a soft lint free cotton cloth dampened with water or furniture polish. On highly used surfaces we recommend applying a quality paste wax which should be used on a regular basis to provide additional protection from scratches and spills.

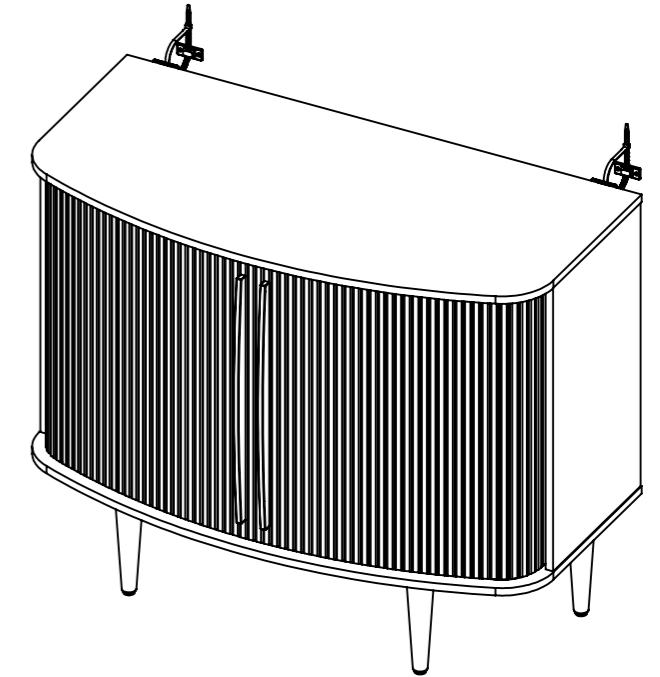
How often you apply the wax depends on how much wear the furniture receives

## Part List



# OWNER MANUAL

Product Dimensions: W 39.37" x D 19.69" x H 31.61"



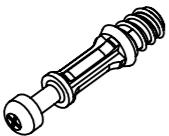

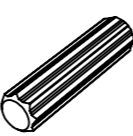



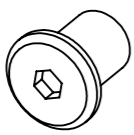
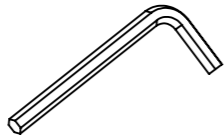
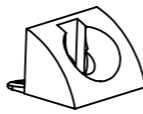


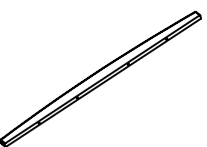
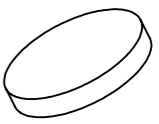
### ⚠ WARNING

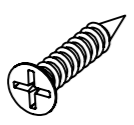
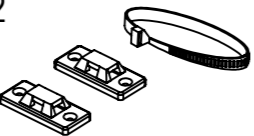


This product is intended for use with a  
FLAT SCREEN TV ONLY  
Maximum Screen Size: 50 inches  
Weight Limit: 53 lbs  
Shelf Load Limit: 13 lbs  
Use with heavier televisions may result in  
instability causing tip over resulting in death  
or Serious injury.

### ⚠ WARNING

Death or serious injury may occur  
when children climb on audio  
and/or video equipment furniture.  
A remote control or toys placed on  
the furnishing may encourage a  
child to climb on the furnishing and  
as a result the furnishing may tip  
over on to the child

## Hardware List

<p>HW1x18 Ø6x32 MM</p> 	<p>HW2x18 Ø15x12 MM</p> 	<p>HW3x28 Ø8x32 MM</p> 	<p>HW4x10 Ø6x50 MM</p> 	<p>HW5x4 Ø6x15 MM</p> 	<p>HW7x8 Ø4x22 MM</p> 
<p>HW8x4 Ø6x12 MM</p> 	<p>HW9x1 L4 MM</p> 	<p>HW11x14 PLASTIK STOPPER</p> 	<p>HW12x18 COVER CAP STICKER</p> 	<p>HW13x1 LIST "H"</p> 	<p>HW14x2 HANDLE</p> 
					<p>HW17x4 Foot Pads</p> 

Anti-Tip Restrain Pack	
<p>HW6x8 Ø4x19 MM</p> 	<p>HW10x2 ANTI-TIP</p> 
<p>HW15x4 Ø8x35 PLUG</p> 	<p>HW16x4 Ø10x50 MM</p> 

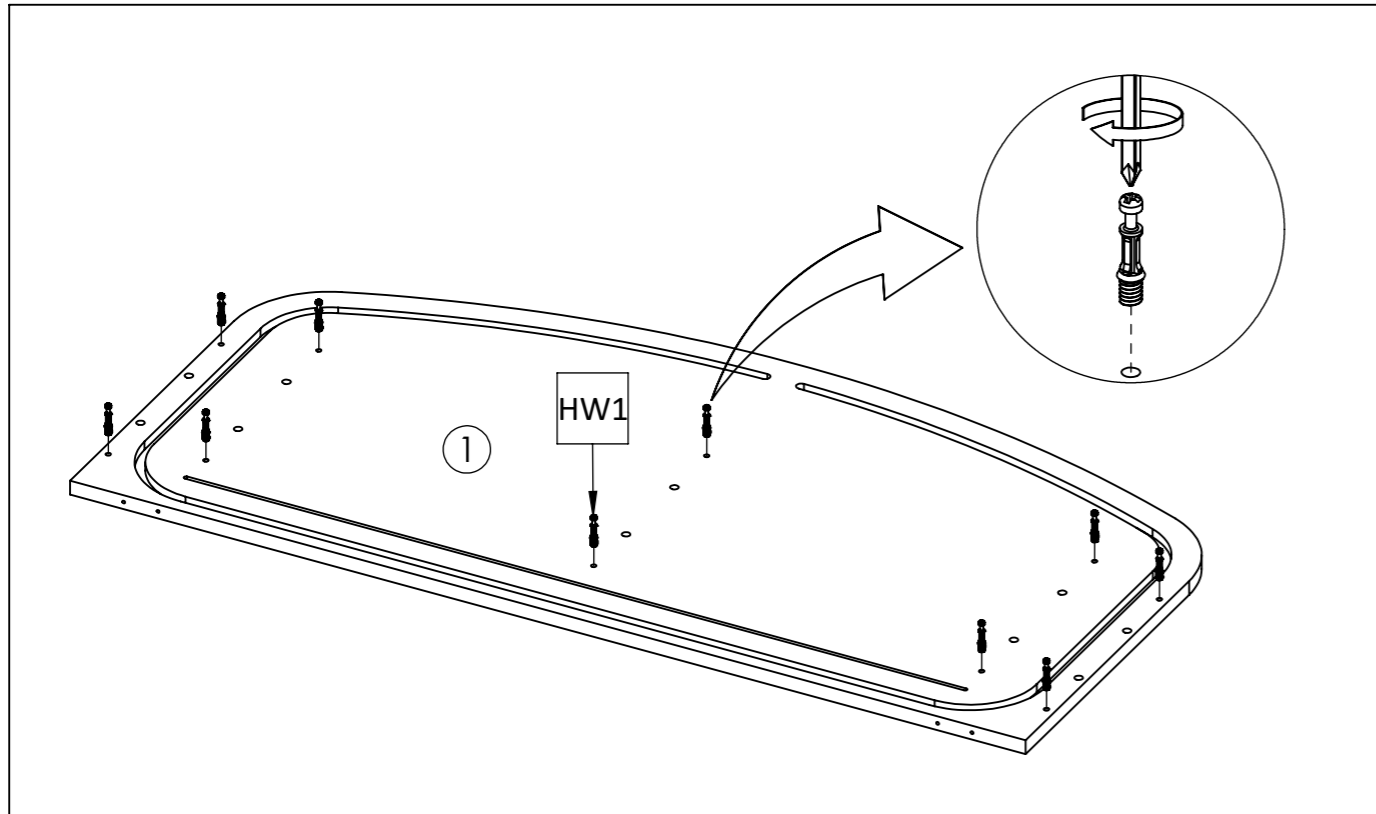
## Part List & HW

Piece	Description	Qty	Cartoon Call
1	Top Panel	1	1 of 1
2	Side Panel -Right	1	1 of 1
3	Side Panel -Left	1	1 of 1
4	Center Panel	1	1 of 1
5	Fixed Shelf -Right	1	1 of 1
6	Fixed Shelf -Left	1	1 of 1
7	Divider Panel - Right	1	1 of 1
8	Divider Panel - Left	1	1 of 1
9	Back Panel -Left	1	1 of 1
10	Back Panel -Right	1	1 of 1
11	Door Panel	2	1 of 1
12	Bottom Panel	1	1 of 1
13	Leg	4	1 of 1

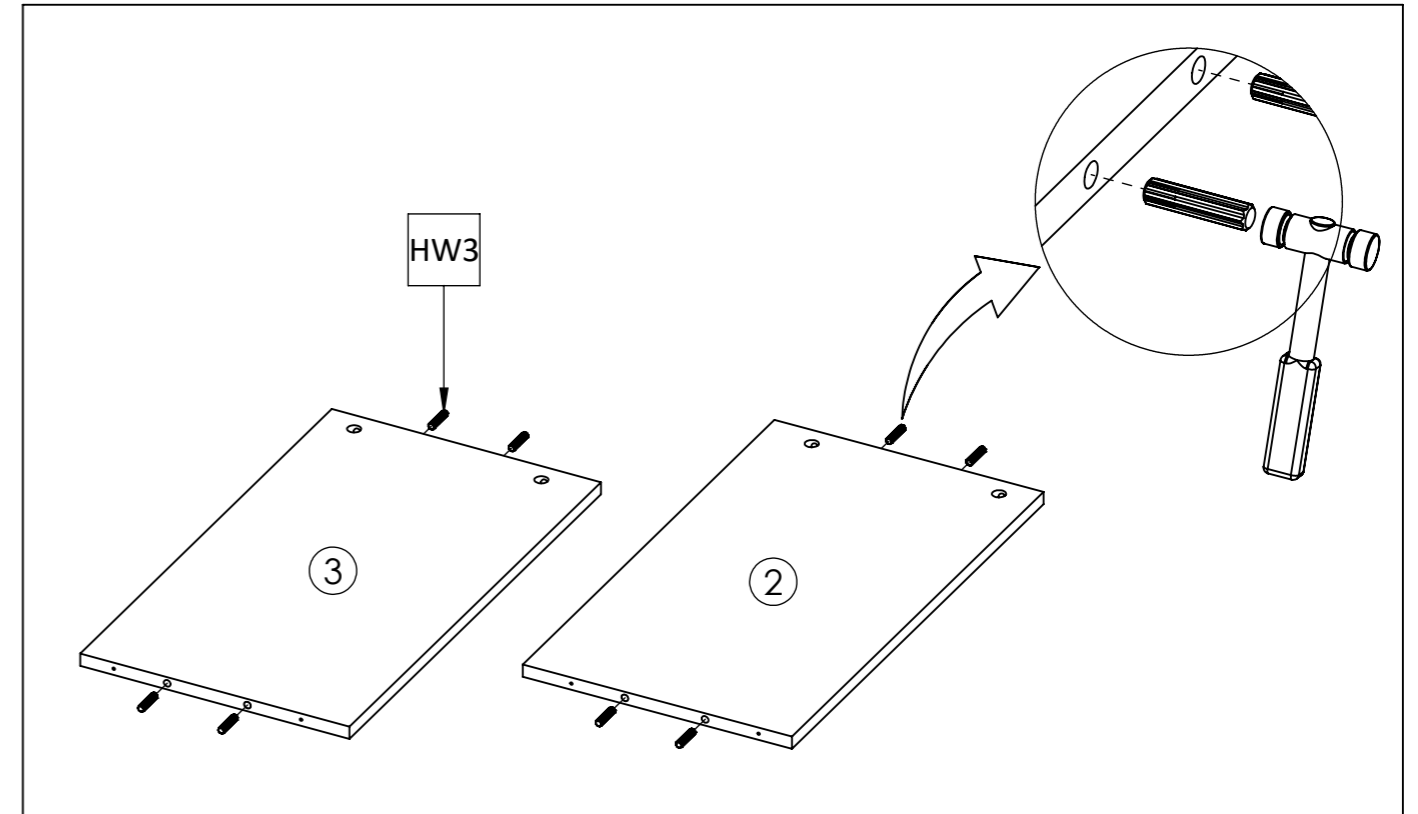
Piece	Description	Qty	Cartoon Call
HW1	Cambolt	18	1 of 1
HW2	Camlock	18	1 of 1
HW3	Wooden Dowel	28	1 of 1
HW4	Screw M6 x 50 mm	10	1 of 1
HW5	Screw M6 x 15 mm	4	1 of 1
HW6	Screw M4 x 19 mm	8	1 of 1
HW7	Bolt M4 x 22 mm	8	1 of 1
HW8	Nut Cap 6 x 12 mm	4	1 of 1
HW9	Allen Key	1	1 of 1
HW10	Anti-tip	2	1 of 1
HW11	Plastic Stopper	14	1 of 1
HW12	Cover Cap Sticker	18	1 of 1
HW13	List "H"	1	1 of 1
Hw14	Handle	2	1 of 1
HW15	M8 x 35 mm PLUG	4	1 of 1
HW16	Screw M10 x 50 mm	4	1 of 1
HW17	Foot Pads	4	1 of 1

## PREPARATION

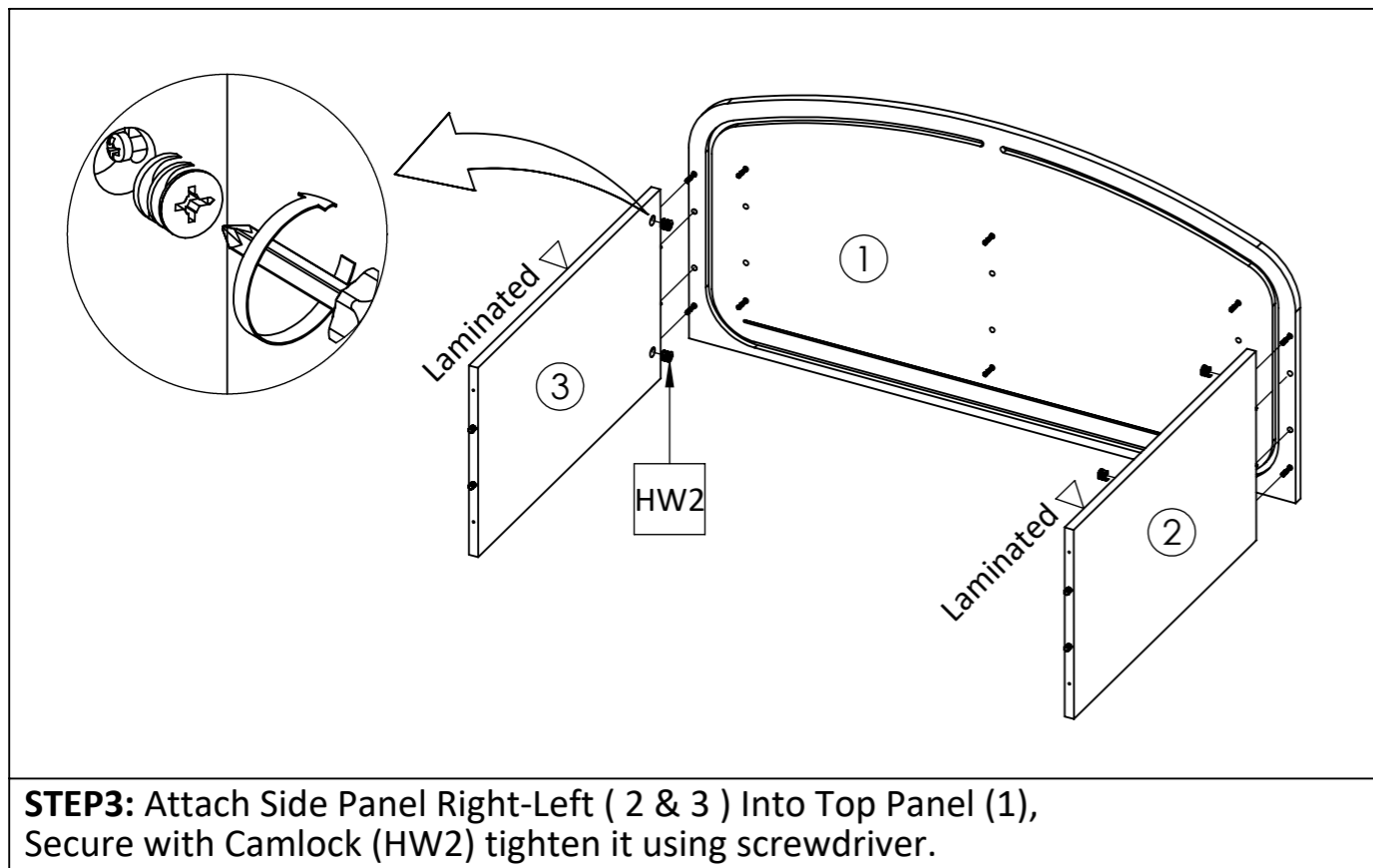
Before beginning assembly of product, make sure all part are present. Compare part with part contents list and hardware contents list.  
If any part is missing or damaged, do not attempt to assemble the product.  
Estimated Assembly Time: 60 minutes.



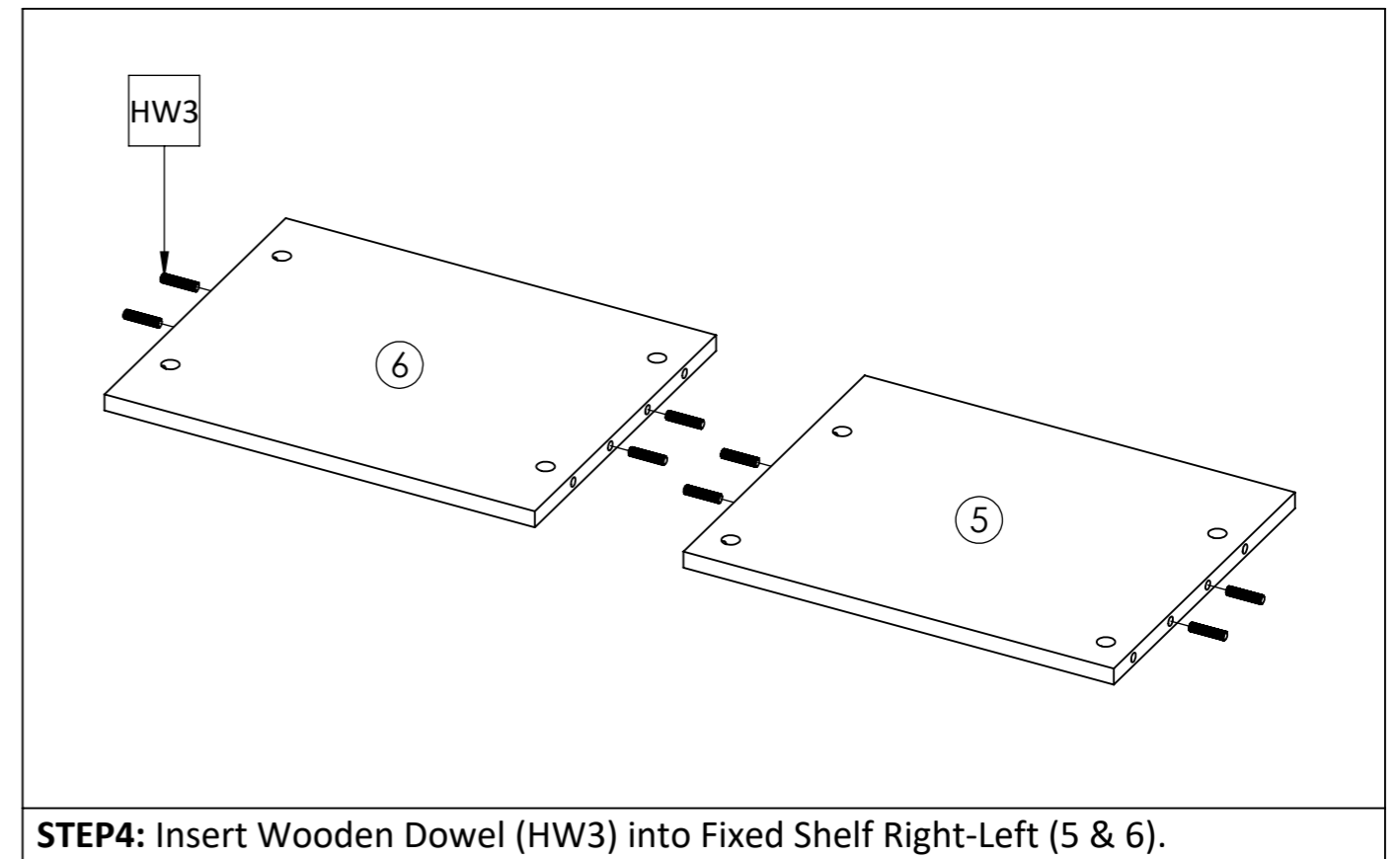
**STEP1:** Insert Cambolt (HW1) Into Top Panel (1)



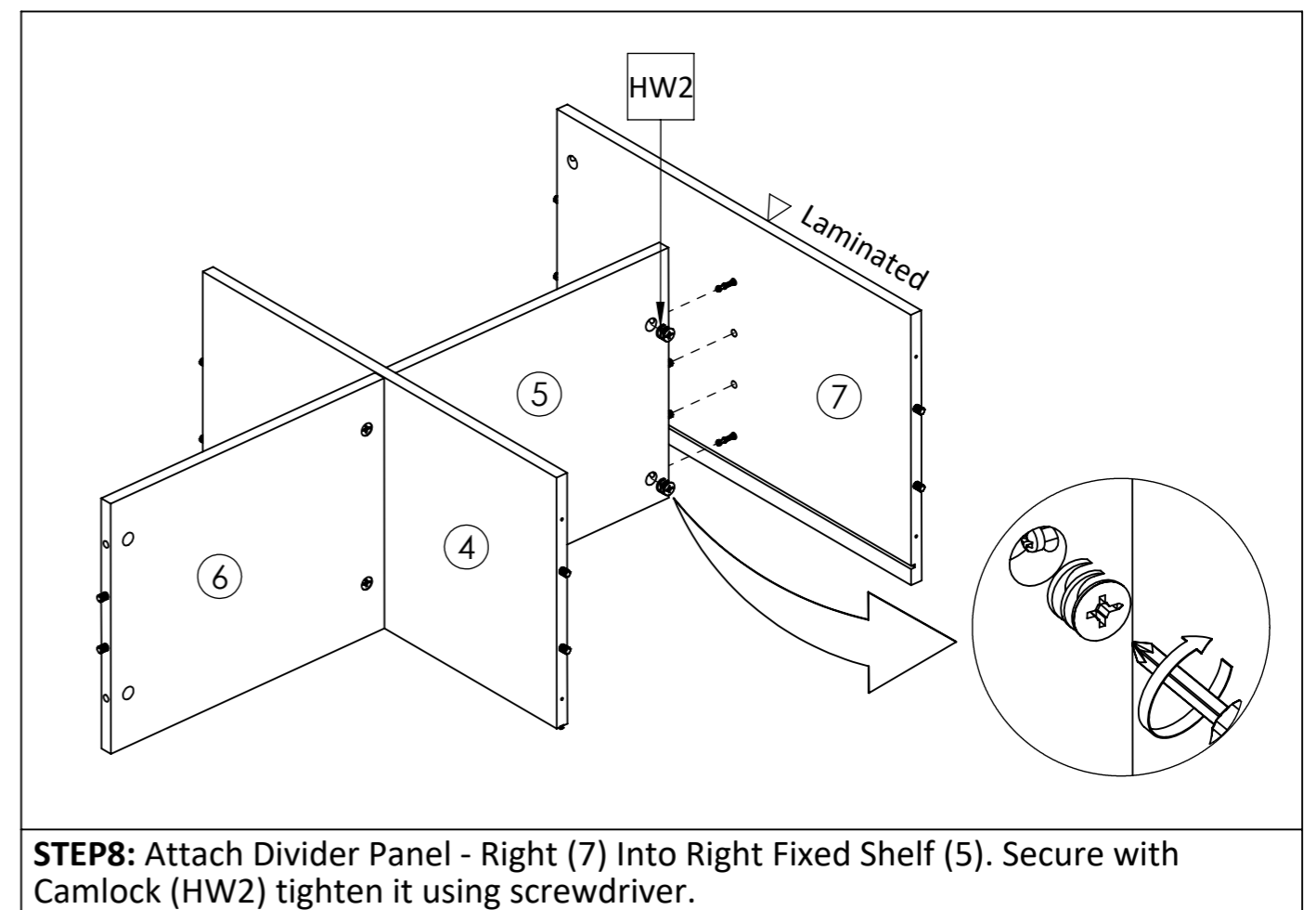
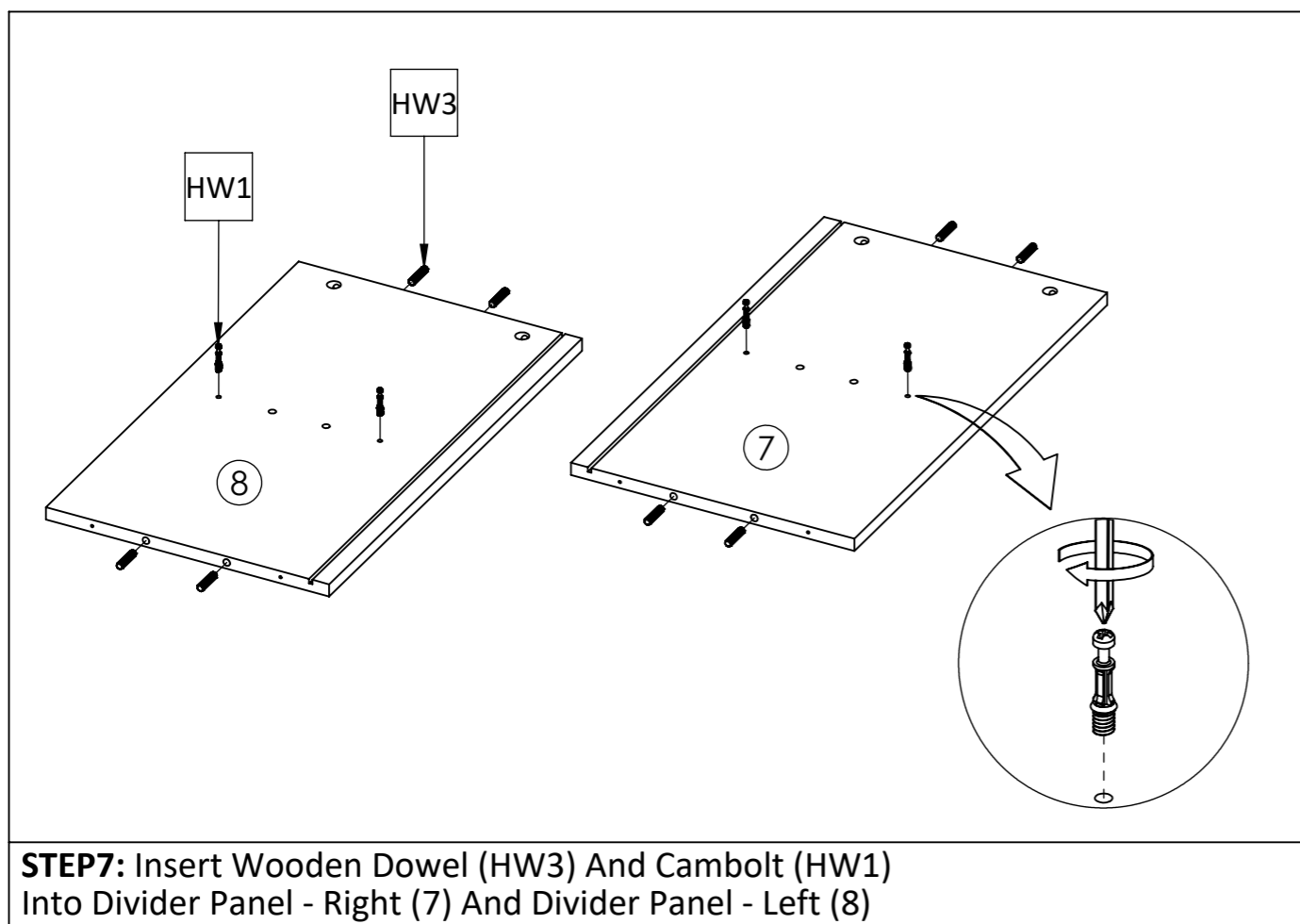
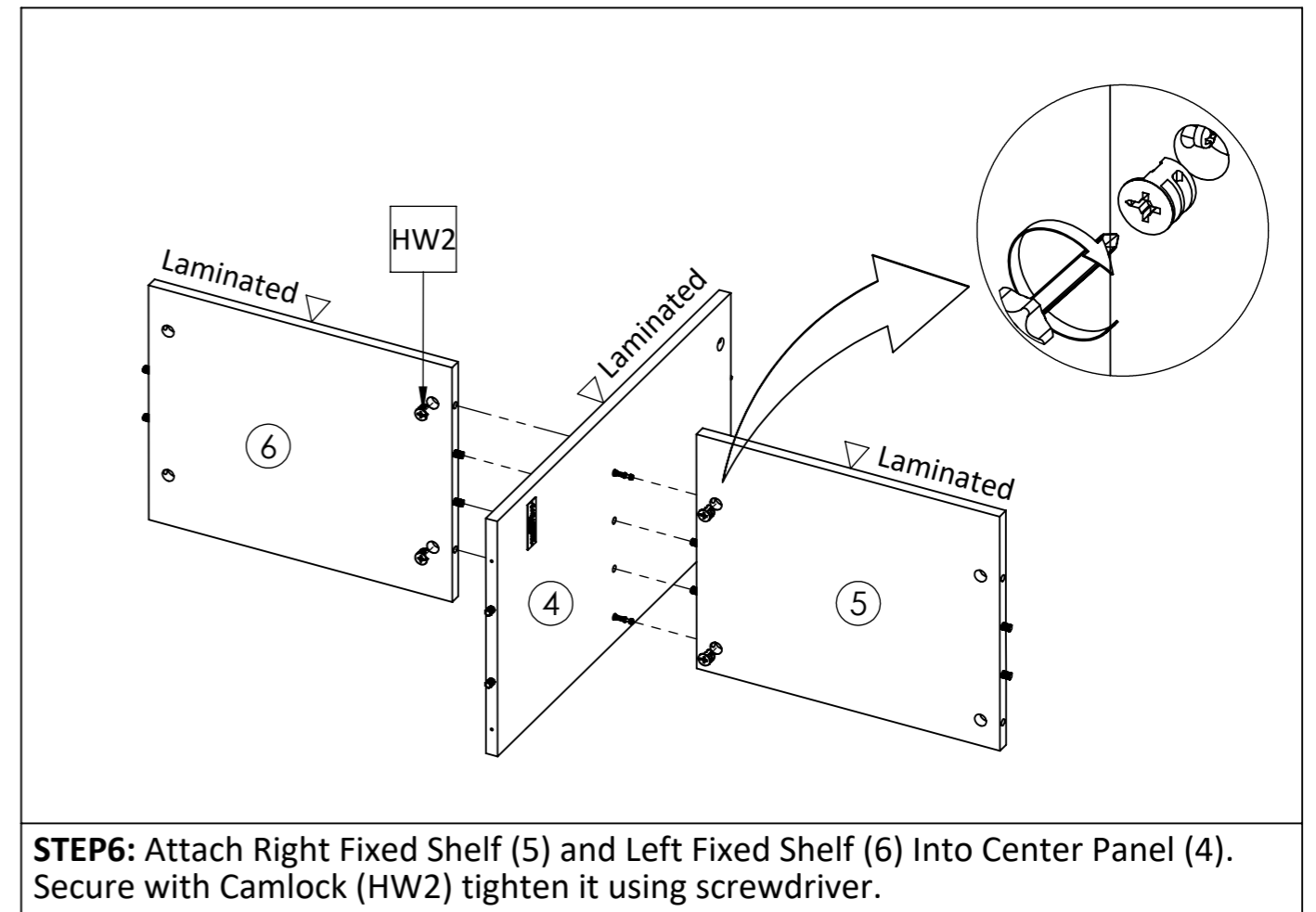
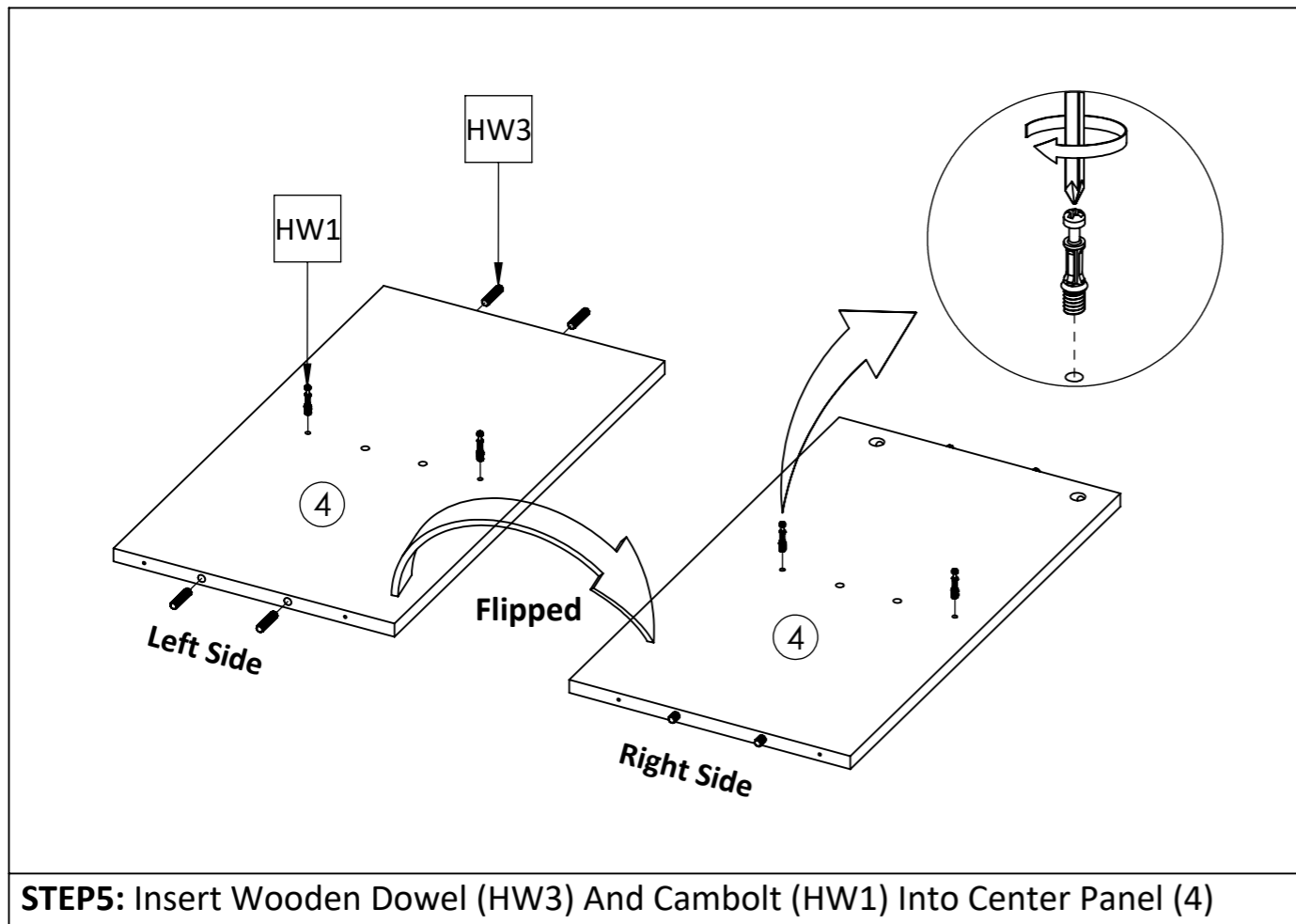
**STEP2:** Insert Wooden Dowel (HW3), Into Side Panel Right-Left ( 2 & 3 ).

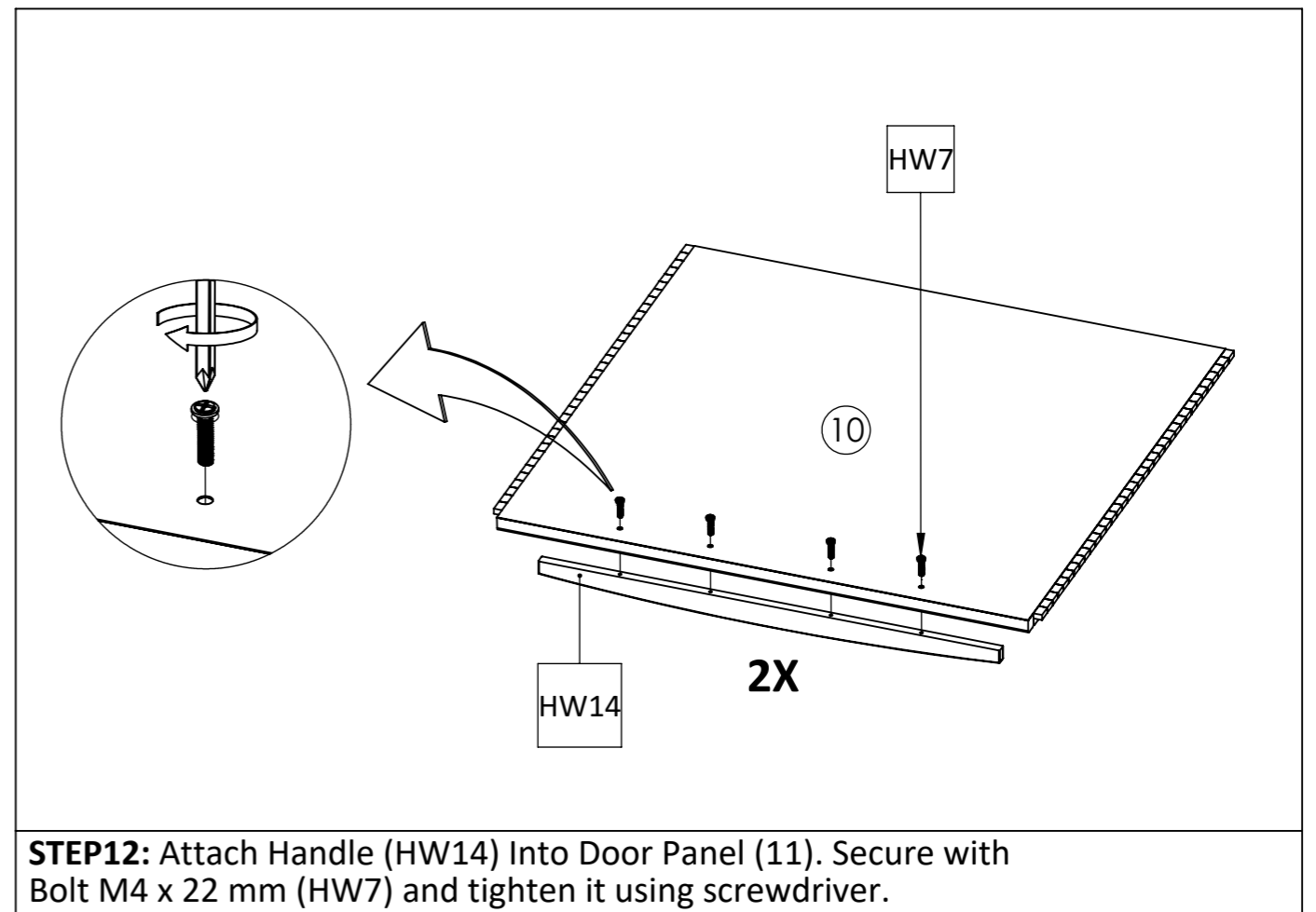
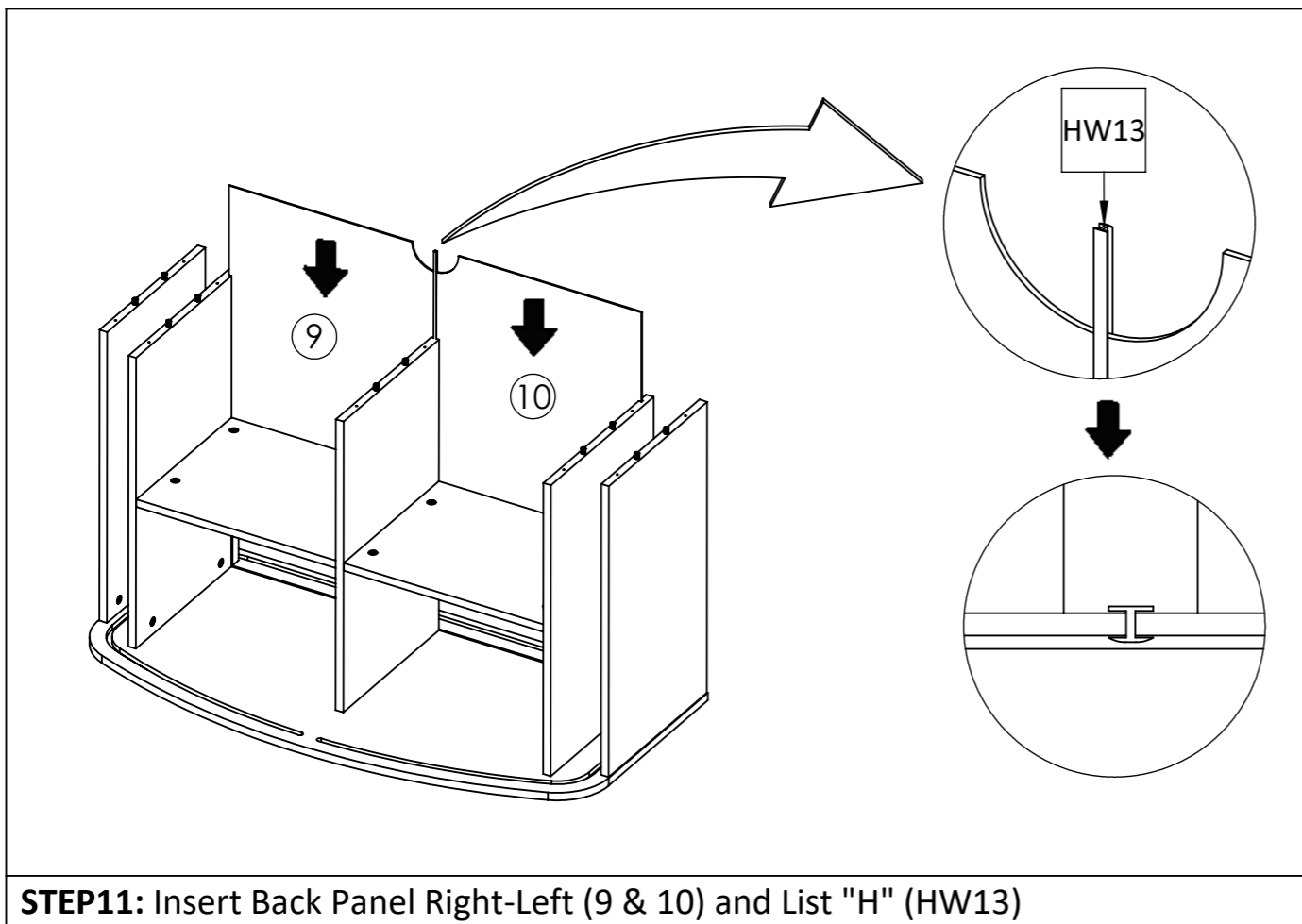
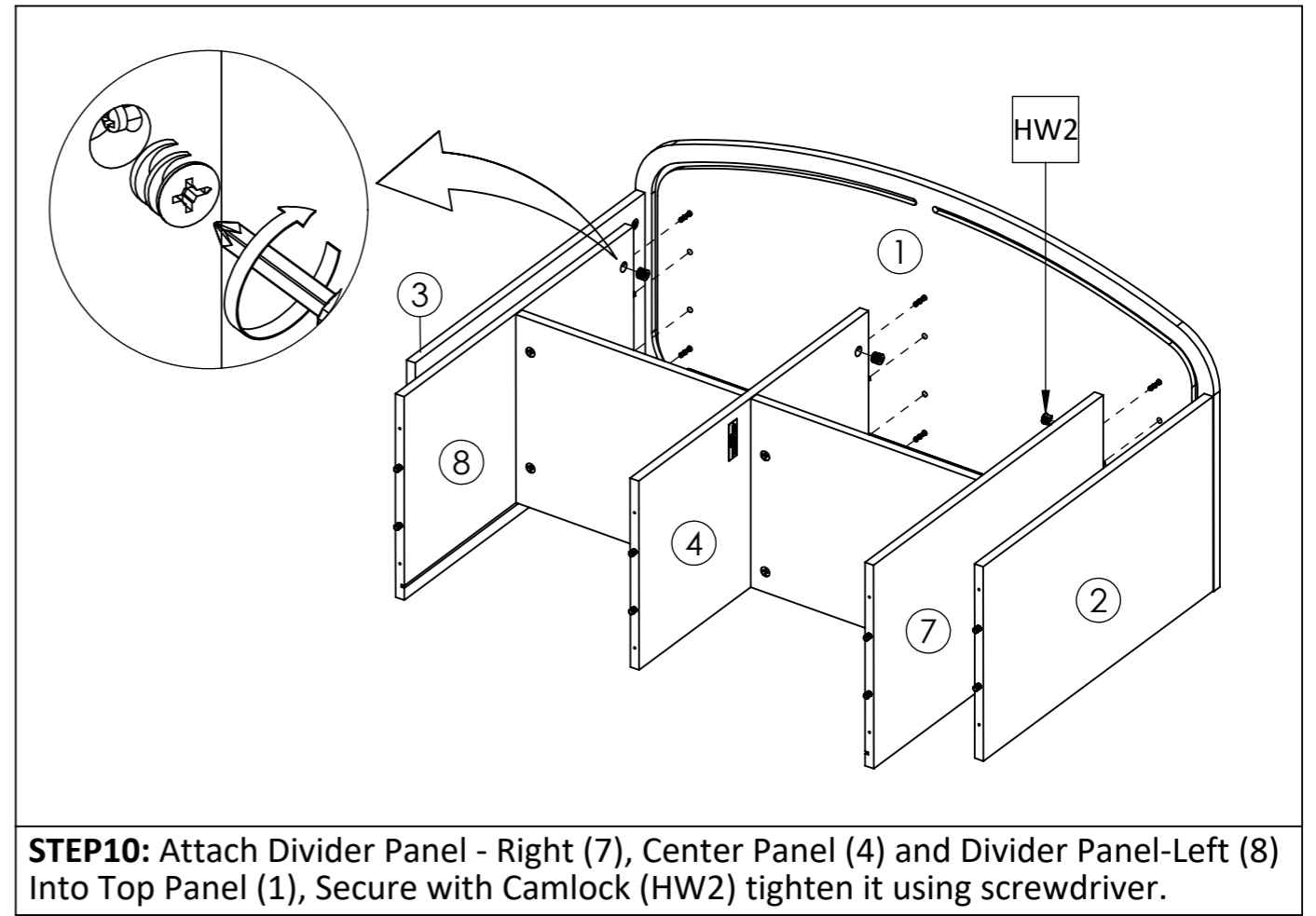
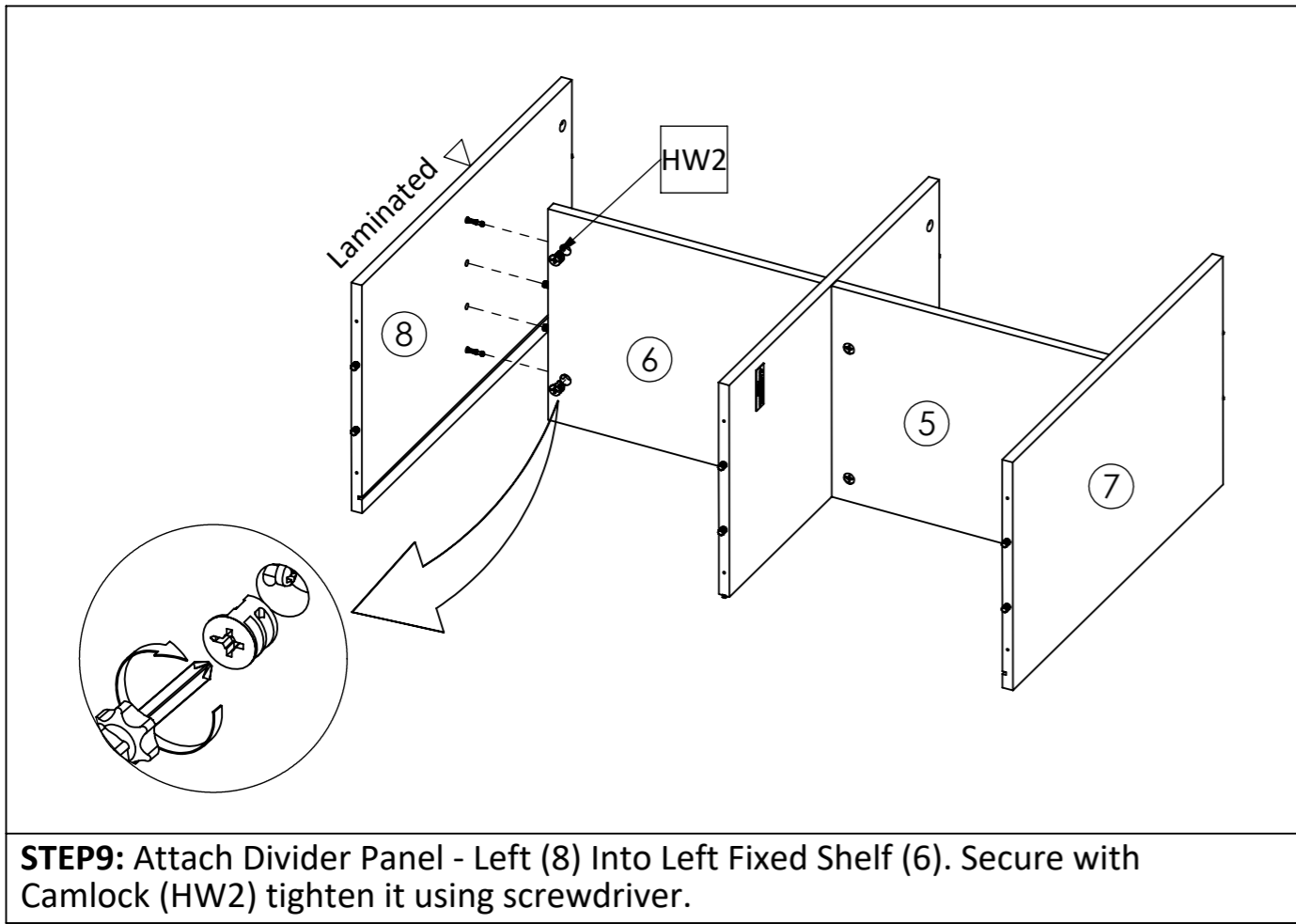


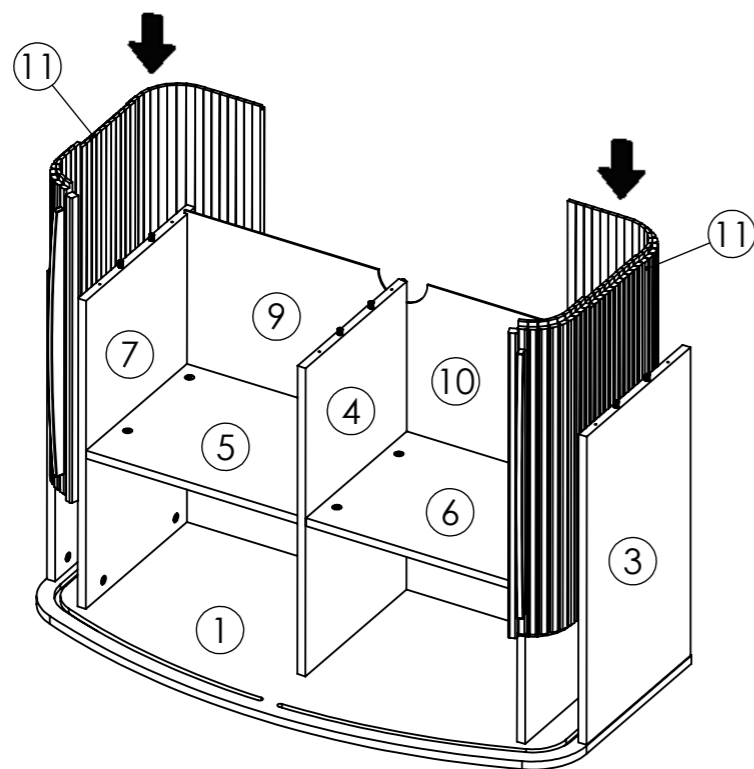
**STEP3:** Attach Side Panel Right-Left ( 2 & 3 ) Into Top Panel (1),  
Secure with Camlock (HW2) tighten it using screwdriver.



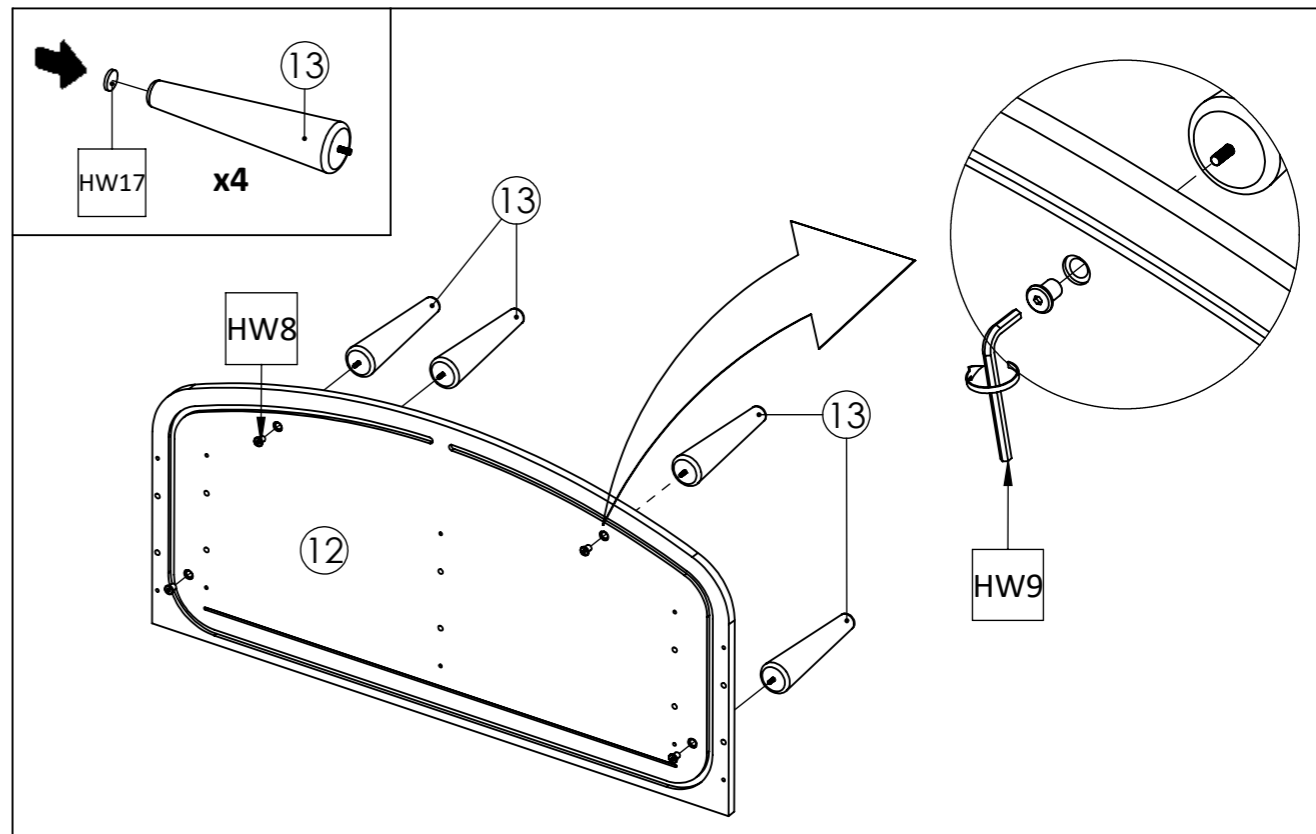
**STEP4:** Insert Wooden Dowel (HW3) into Fixed Shelf Right-Left (5 & 6).



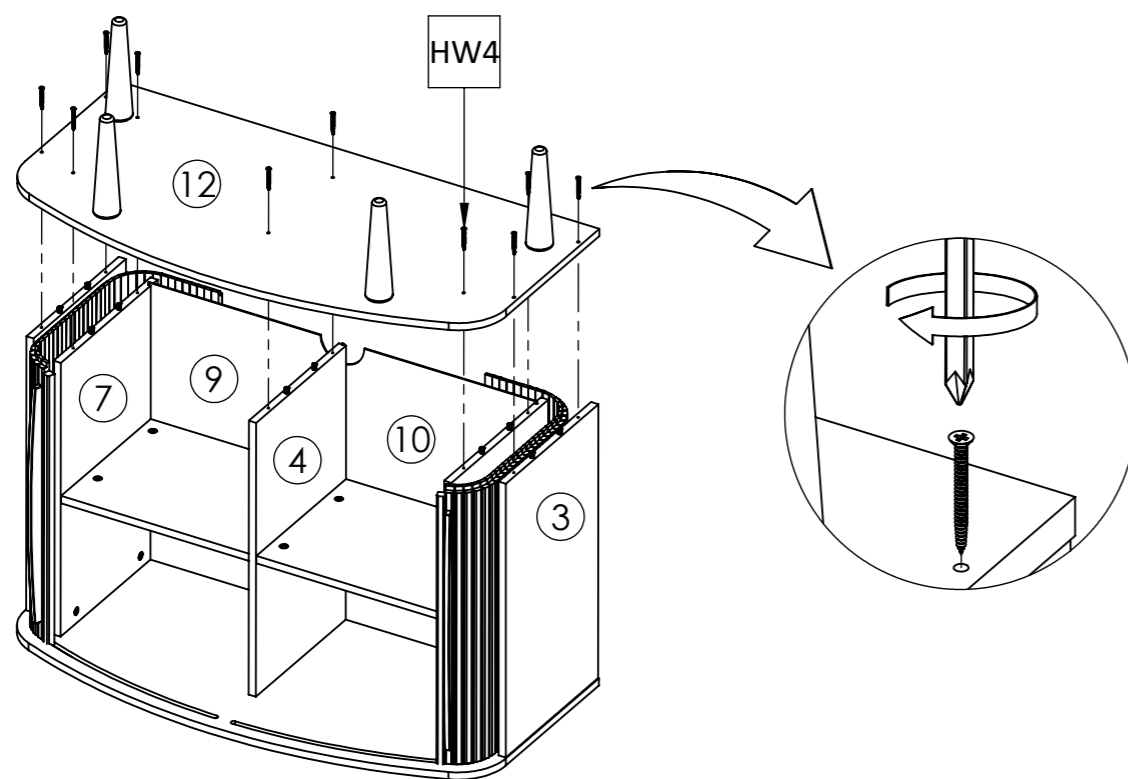




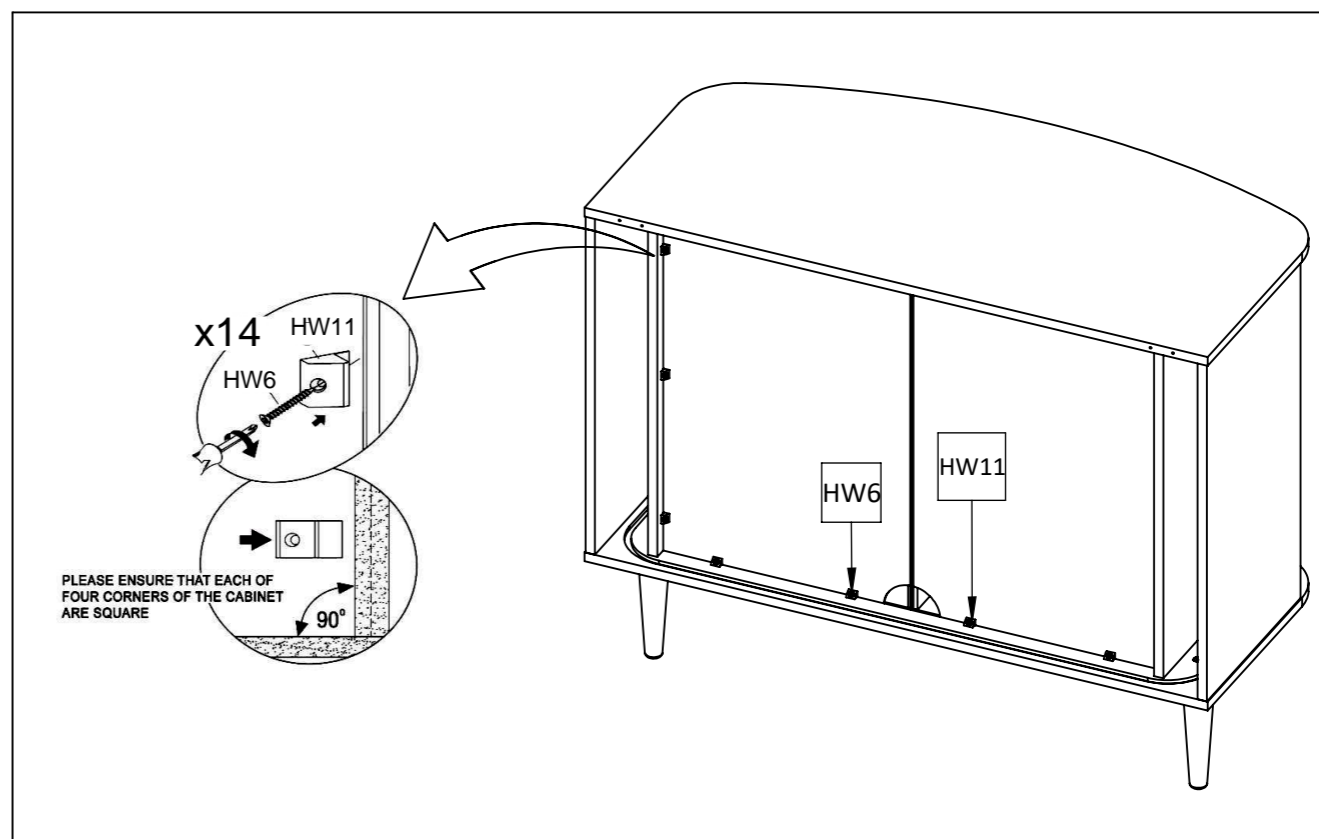
**STEP13:** Attach Door Panel (11) Into Top Panel (1).



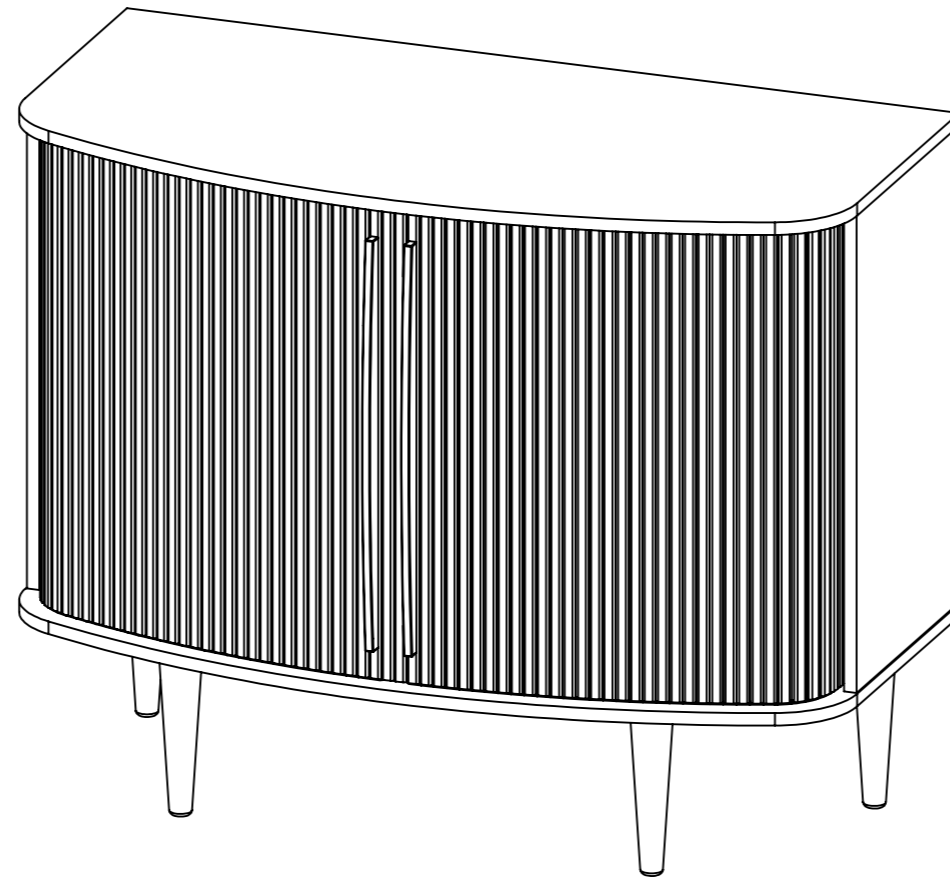
**STEP14:** Attach Foot Pads (HW17) into Legs (13), Continue attach Legs (13) Into Bottom Panel (12). Secure with Cap Nut (HW8) tighten it using Allen Key (HW9).



**STEP15:** Attach Bottom Panel (12). Into All Wall Panel, Secure with Screw M6x50 mm (D) tighten it using screwdriver.



**STEP16:** Attach the plastic stopper (HW11) to the back panel Secure with screw M4x19 mm (HW6) and tighten it using screwdriver.



**STEP17:** Assembly is completed.

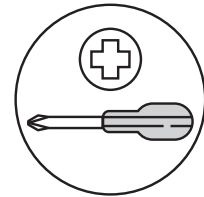
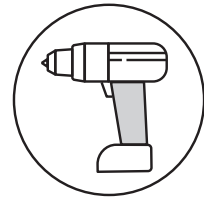


# ANTI-TIP RESTRAINT INSTALLATION

## ! WARNING!

Children have died from furniture tipover.  
To reduce the risk of furniture tipover:



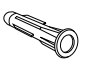


- ALWAYS install tipover restraint provided.
- NEVER allow children to stand, climb or hang on drawers, doors, or shelves.
- NEVER open more than one drawer at a time.
- Place heaviest items in the lower drawers.

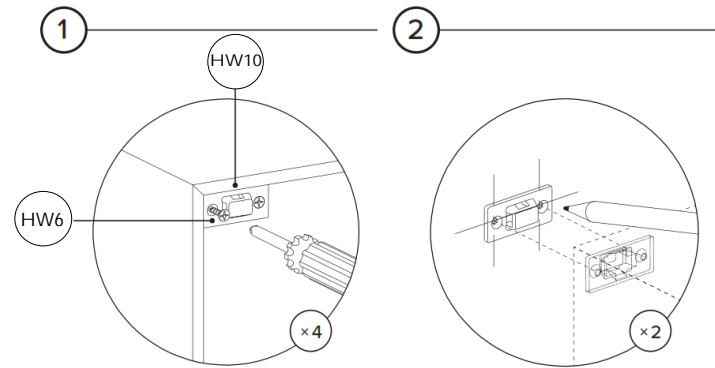


**REQUIRED TOOL**  
8MM / 5/16" DRILL BIT

**REQUIRED TOOL**

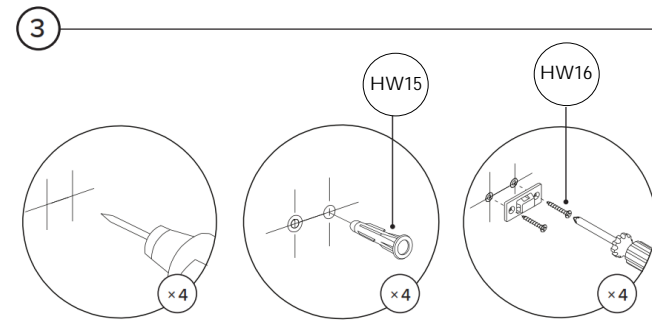
**!** Hardware (HW15/HW16) to attach brackets to wall is designed for drywall. To attach this unit to another type of wall, consult with your local hardware store.

ANTI-TIP RESTRAINT PACK			
ID	DESCRIPTION		QTY
HW10	BRACKET		4
HW6	M6 x 15MM SCREW		4
HW15	M8 x 35MM PLUG		4
HW16	M10 x 50MM SCREW		4
HW10	STRAP		2

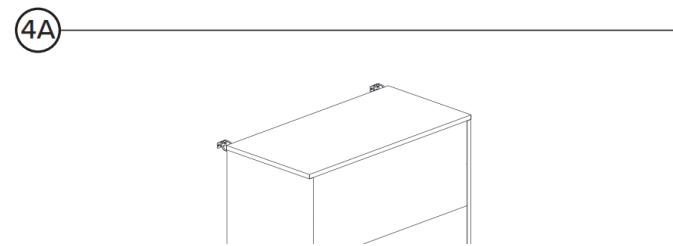


Attach pair of brackets to "Top Panel" of the unit. Note there are no existing pilot holes on the product.

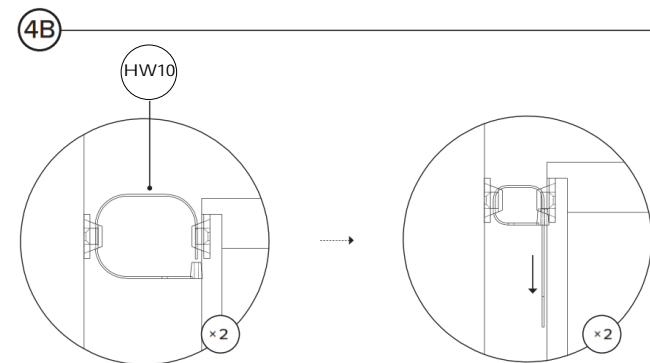
Mark on wall where second pair of brackets should be placed.



Drill holes in wall using 8mm / 5/16" drill bit.



Align brackets on unit with brackets on wall.



Pull strap down until it snap-locks.