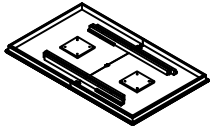


ASSEMBLY INSTRUCTIONS

DOUBLE PEDESTAL DINING TABLE WITH LEAF

A Table Top



1pc

B Table Leaf



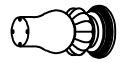
1pc

C Mounting Plate



2pcs

D Pedestal



2pcs

E Base



2pcs

F Bun Foot



6pcs

G Bolt
Ø5/16" x 1-1/2"



24pcs

H Lock Washer
Ø5/16"



24pcs

I Flat Washer
Ø5/16" x 3/4"

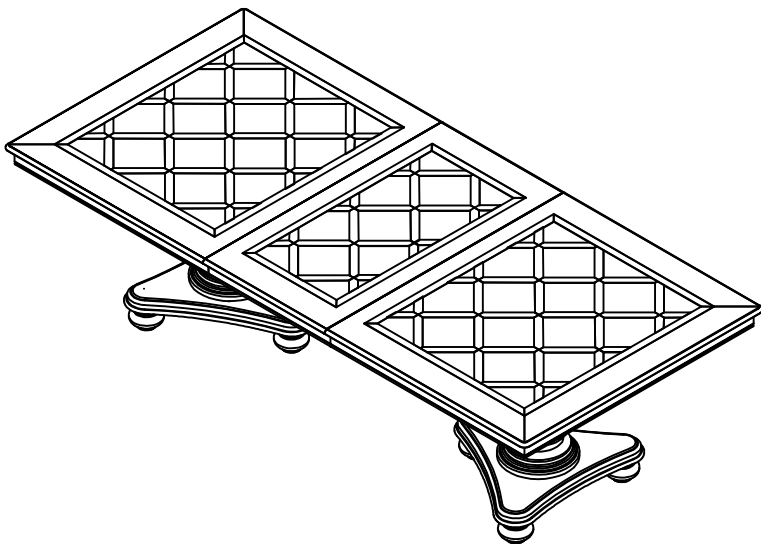


24pcs

J Allen Key
M4

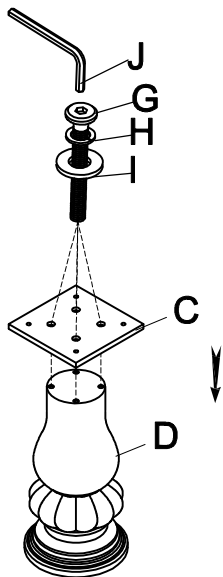


1pc

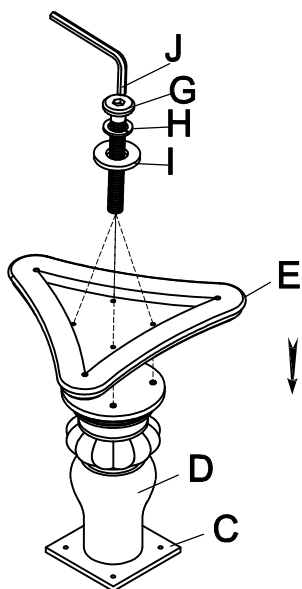


This page lists all the contents included in the box. Please take the time to identify the hardware as well as the individual components to this product. As you unpack and prepare for assembly, place the contents on a carpeted or padded area to protect them from damage.

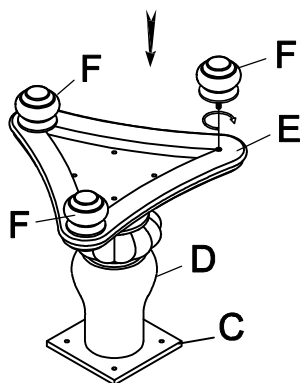
1 Attach the Mounting Plate (C) to the Pedestal (D) using Bolt (G), Lock Washer (H) and Flat Washer (I) with the Allen Key (J).



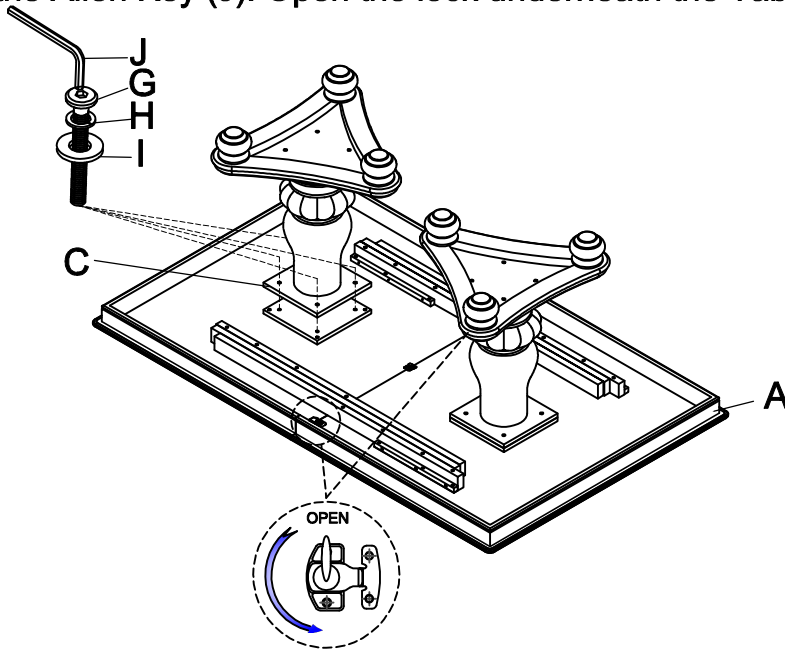
2 Place the assembled pedestal with mounting plate upside down. Attach the Base (E) to the Pedestal (D) using Bolt (G), Lock Washer (H) and Flat Washer (I) with the Allen Key (J).



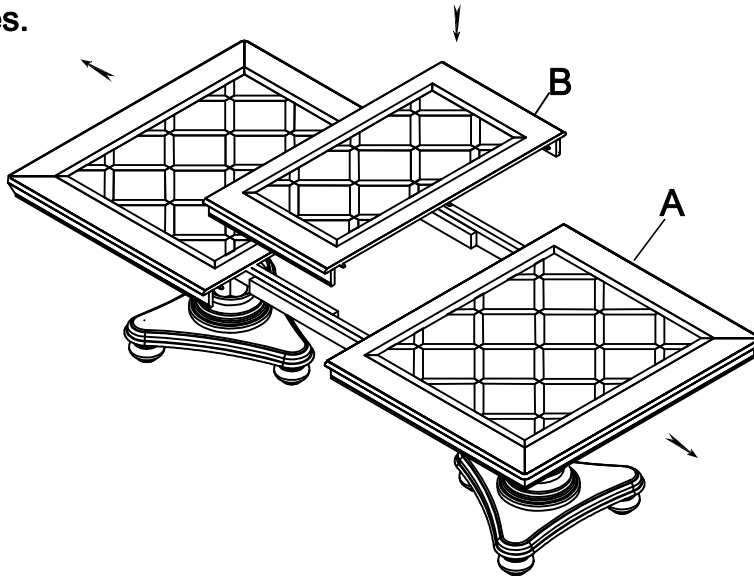
3 Attach the Bun Foot (F) to the Base (E).



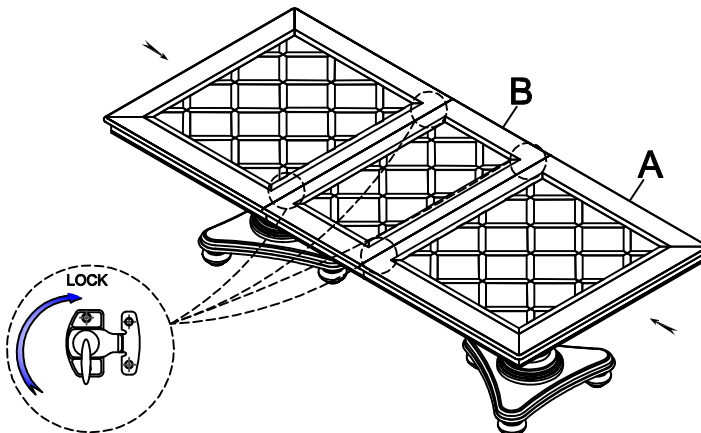
- 4** Place the Table Top (A) upside down on a smooth and carpeted surface. Attach the Mounting Plate (C) to the Table Top (A) using Bolt (G), Lock Washer (H) and Flat Washer (I) with the Allen Key (J). Open the lock underneath the Table Top (A).



- 5** Stand the assembled table upright. Open the Table Top (A) and place the Table Leaf (B) on the slides.



- 6** Close the Table Top (A). Secure the Table Top (A) and Table Leaf (B) using the lock.



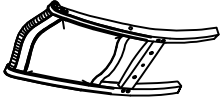
Cleaning & Care

Treat surfaces with care. Surfaces are resistant to scratches but are not scratch resistant. Clean surfaces with a dry or damp soft cloth. Do not use abrasive cleaners. Hardware may loosen over time. Periodically check that all connections are tight.

ASSEMBLY INSTRUCTIONS

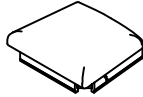
ARM CHAIR

A Chair Back



1pc

B Cushion Seat



1pc

C Left Front Leg



1pc

D Right Front Leg



1pc

E Left Arm



1pc

F Right Arm



1pc

G Bolt
Ø5/16" x 3"



4pcs

H Bolt
Ø5/16" x 2-3/8"



4pcs

I Bolt
Ø5/16" x 1-3/4"



6pcs

J Lock Washer
Ø5/16"



14pcs

K Flat Washer
Ø5/16" x 3/4"



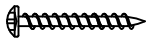
14pcs

L Allen Key
M4

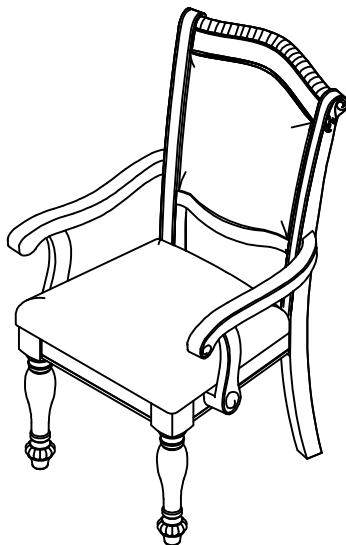


1pc

M Screw
Ø5/16" x 1-13/16"

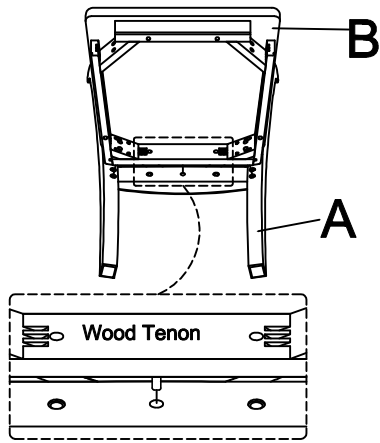


2pcs

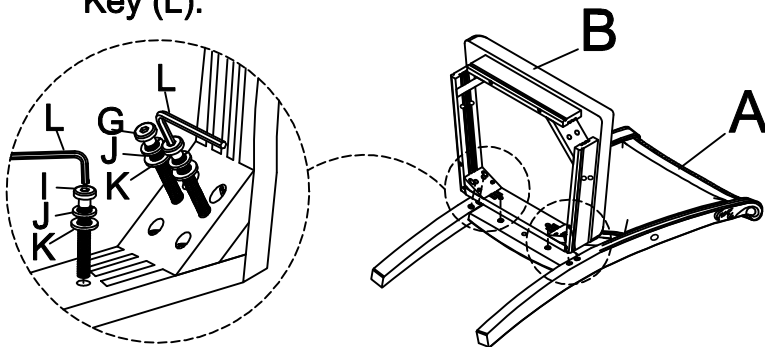


This page lists all the contents included in the box. Please take the time to identify the hardware as well as the individual components to this product. As you unpack and prepare for assembly, place the contents on a carpeted or padded area to protect them from damage.

1 Place the Chair Back (A) on a smooth and carpeted surface. Attach the Cushion Seat (B) to the Chair Back (A) using the wood tenon.

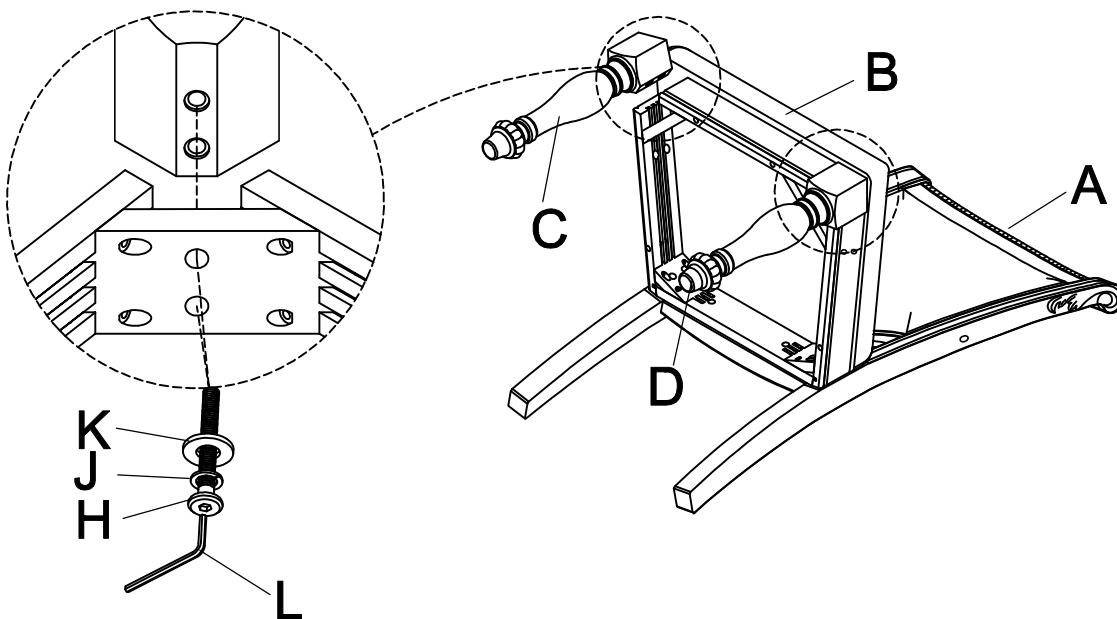


2 Attach the Cushion Seat (B) to the Chair Back (A) using Bolt (I) for the center holes and Bolt (G) for the corner holes, along with Lock Washer (J) and Flat Washer (K) with the Allen Key (L).

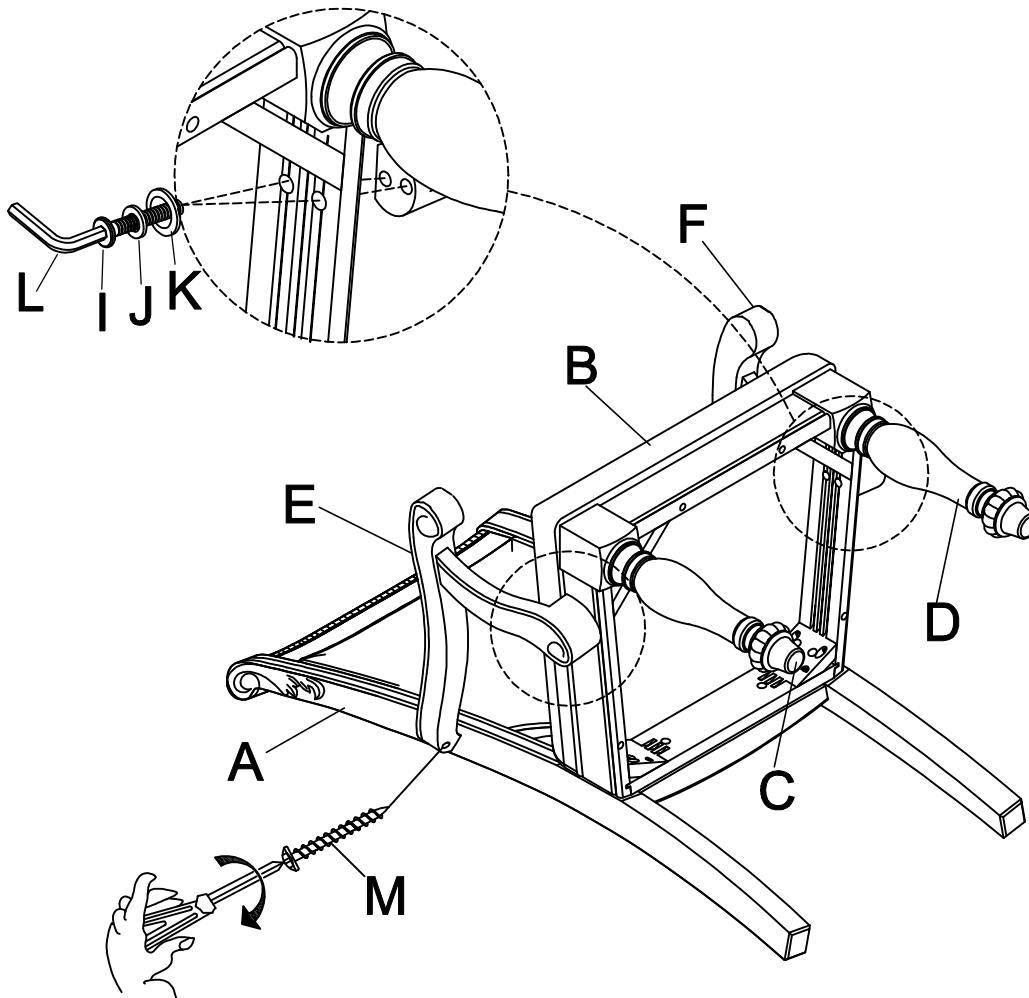


Take the Allen Key and turn the bolts until the legs are secured. **DO NOT TIGHTEN COMPLETELY.** Stop when you feel you are adding force to tighten the bolts.

3 Attach the Left & Right Front Leg (C & D) to the Cushion Seat (B) using Bolt (H), Lock Washer (J) and Flat Washer (K) with the Allen Key (L).



- 4** Attach the Left & Right Arm (E & F) to the Cushion Seat (B) using Bolt (I), Lock Washer (J) and Flat Washer (K) with the Allen Key (L). Then, attach the Left & Right Arm (E & F) to the Chair Back (A) using Screw (M) with a screwdriver (not provided).



Stand the chair on an even surface and check for balance. If it wobbles, press down on the uneven leg and tighten the bolts. Once balanced, apply even pressure to the center and tighten all bolts without over-tightening.

Helpful Tip:

While tightening the bolts from underneath, have someone sit in the chair.

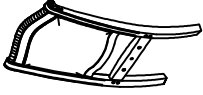
Cleaning & Care

Treat surfaces with care. Surfaces are resistant to scratches but are not scratch resistant. Clean surfaces with a dry or damp soft cloth. Do not use abrasive cleaners. Hardware may loosen over time. Periodically check that all connections are tight.

ASSEMBLY INSTRUCTIONS

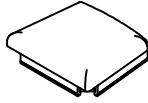
SIDE CHAIR

A Chair Back



1pc

B Cushion Seat



1pc

C Left Front Leg



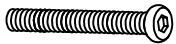
1pc

D Right Front Leg



1pc

E Bolt
Ø5/16" x 3"



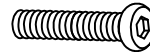
4pcs

F Bolt
Ø5/16" x 2-3/8"



4pcs

G Bolt
Ø5/16" x 1-3/4"



2pcs

H Lock Washer
Ø5/16"



10pcs

I Flat Washer
Ø5/16" x 3/4"

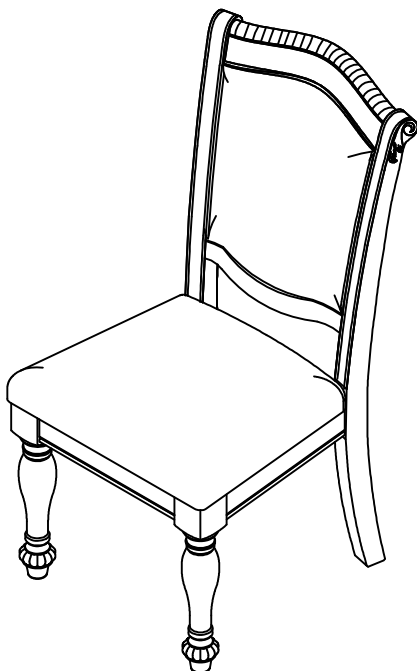


10pcs

J Allen Key
M4

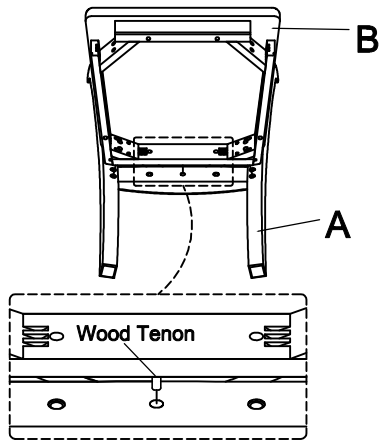


1pc

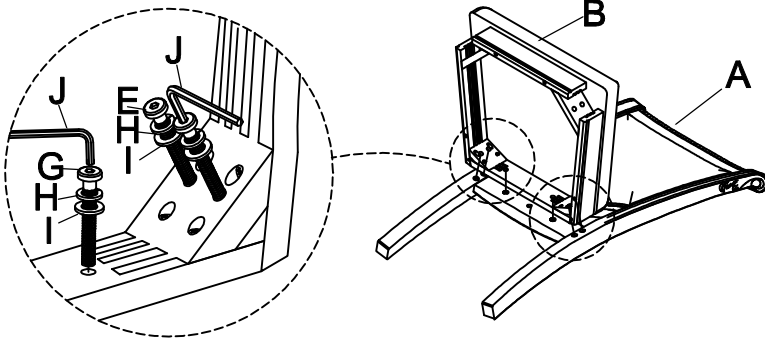


This page lists all the contents included in the box. Please take the time to identify the hardware as well as the individual components to this product. As you unpack and prepare for assembly, place the contents on a carpeted or padded area to protect them from damage.

1 Place the Chair Back (A) on a smooth and carpeted surface. Attach the Cushion Seat (B) to the Chair Back (A) using the wood tenon.

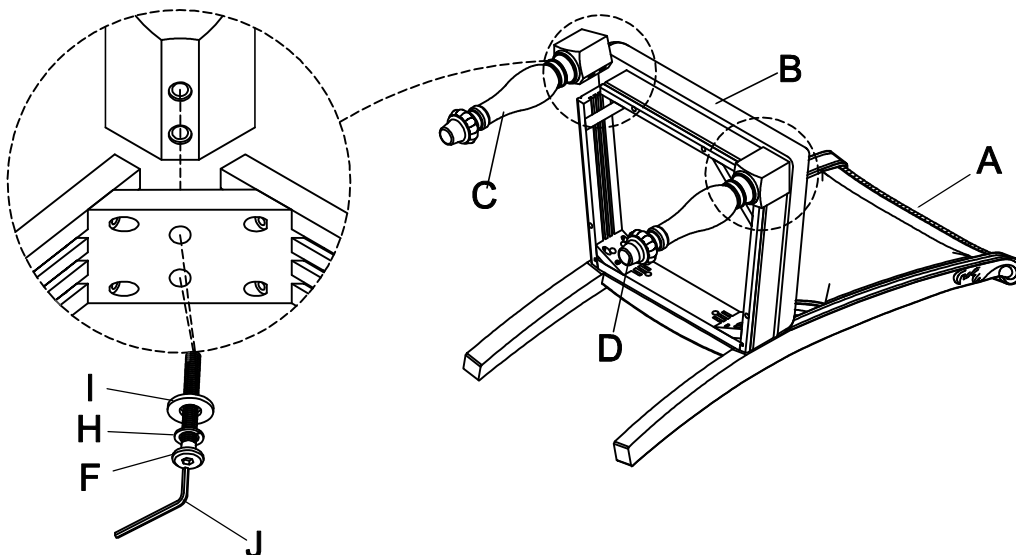


2 Attach the Cushion Seat (B) to the Chair Back (A) using Bolt (G) for the center holes and Bolt (E) for the corner holes, along with Lock Washer (H) and Flat Washer (I) with the Allen Key (J).



Take the Allen Key and turn the bolts until the legs are secured. **DO NOT TIGHTEN COMPLETELY.** Stop when you feel you are adding force to tighten the bolts.

3 Attach the Left & Right Front Leg (C & D) to the Cushion Seat (B) using Bolt (F), Lock Washer (H) and Flat Washer (I) with the Allen Key (J).



Stand the chair on an even surface and check for balance. If it wobbles, press down on the uneven leg and tighten the bolts. Once balanced, apply even pressure to the center and tighten all bolts without over-tightening.

Helpful Tip:

While tightening the bolts from underneath, have someone sit in the chair.

Cleaning & Care

Treat surfaces with care. Surfaces are resistant to scratches but are not scratch resistant. Clean surfaces with a dry or damp soft cloth. Do not use abrasive cleaners. Hardware may loosen over time. Periodically check that all connections are tight.