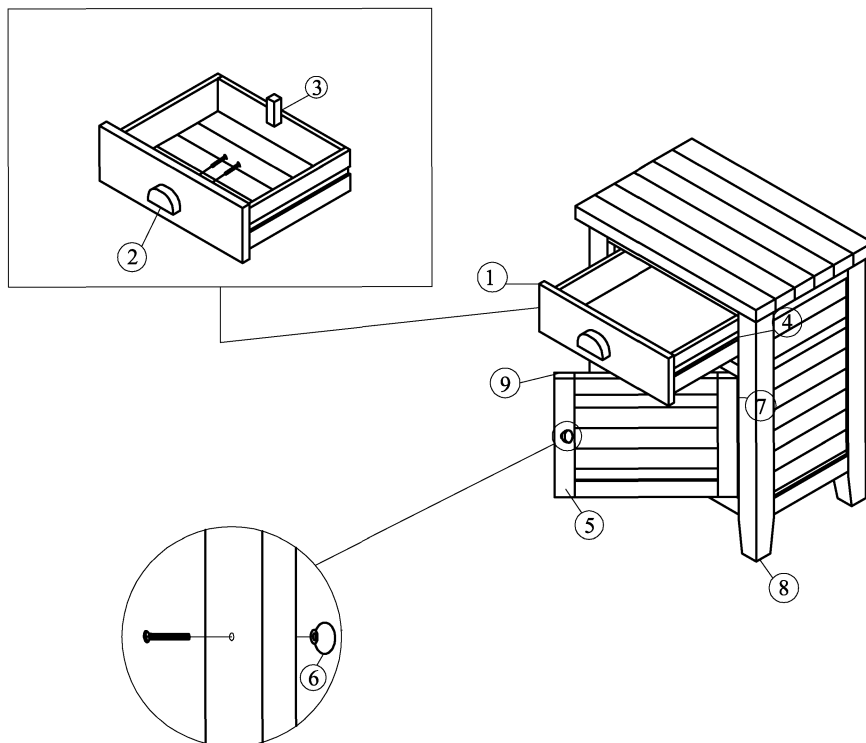


# ASSEMBLY INSTRUCTION & PARTS IDENTIFICATION ACCENT TABLE

**Thank you for purchasing this quality product. Be sure to check all packing material carefully for small parts that may have come loose inside the carton during shipment.**

Parts key							
No	Code Number	Qty	Description English	No	Code	Qty	Description English
1	A	1 Pc	Drawer	6	F	1 Pc	Door Pull w/Screw
2	B	1 Pc	Drawer Pull w/Screws	7	G	2 Pcs	Hinge
3	C	1 Pc	Drawer Stop	8	H	4 Pcs	Floor Glide
4	D	2 Pcs	Drawer Glide	9	1	1 Set	Door Catch
5	E	1 Pc	Door				



**Made in Vietnam**