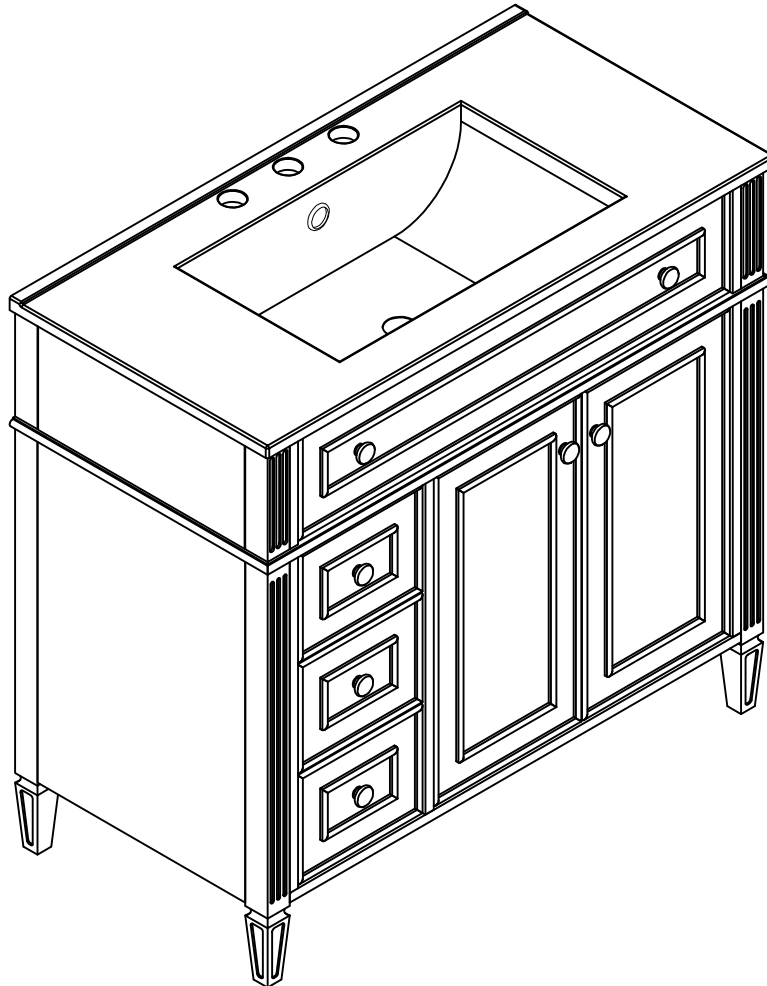
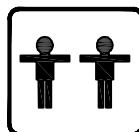


ASSEMBLY INSTRUCTIONS
36 INCHES BATH VANITY (COMBO)

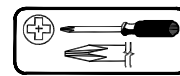


Thank you for purchasing this quality product. Be sure to check all packaging material carefully for small parts which may have come loose inside the carton during shipment. Separate, identify and count all parts and hardware. Compare with the parts list to be sure all parts are present.
"DO NOT TIGHTEN SCREWS UNTIL COMPLETELY ASSEMBLED"

*** Use of power tool to assemble this product will invalidate any claim and damage this product making unsafe !!!**
*** Please assemble on a clean soft surface to avoid damage.**



Tools Required



(Not included)

IMPORTANT:

PLEASE READ INSTRUCTION BEFORE STARTING THE ASSEMBLY

Before Installation

Important - Please read these instructions fully before starting assembly

Thank you for purchasing this quality product. Be sure to check all packing materials carefully for small parts, which may have come loose inside the carton during shipment. Identify and count all items according to the PARTS LIST and/or HARDWARE LIST shown below. Check you have all the components and tools listed on the following pages.

. We recommend that you assemble this product with the assistance of another person; this will make the assembly easier, and will help eliminate damage to the product or injury to persons during assembly.

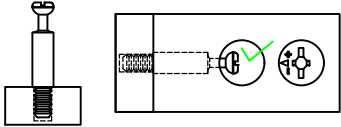
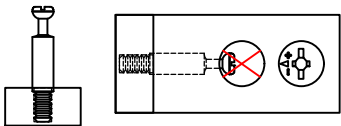
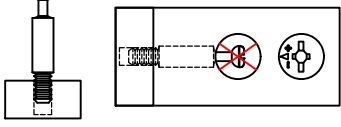
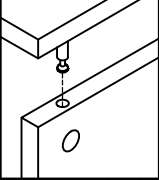
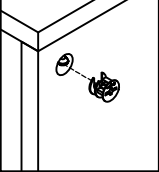
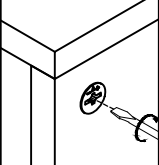
. Please do not over tighten screws or bolts until the assembly is completed.

. Keep children and animal away from the work area, small parts could choke if swallowed.

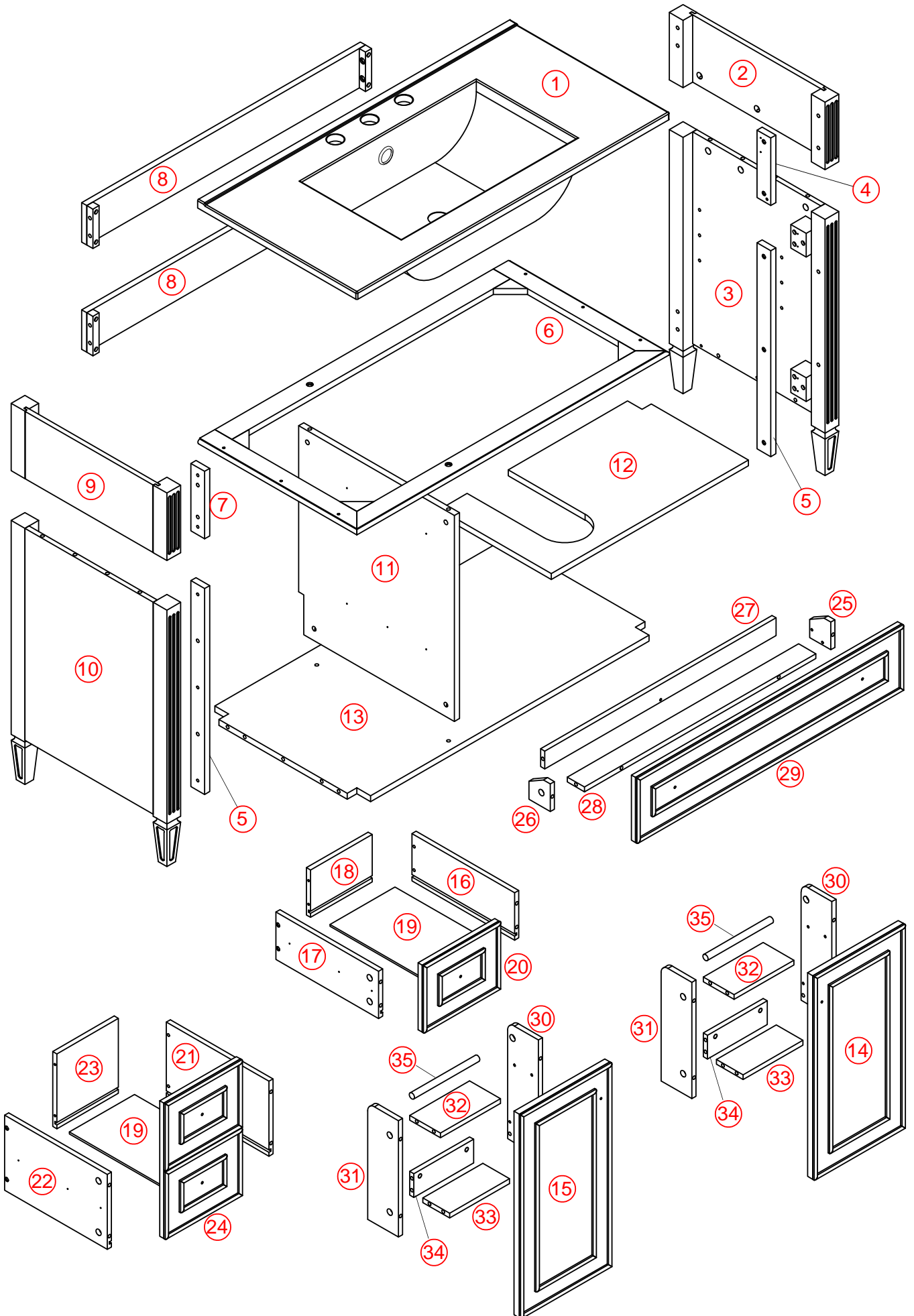
. Please put all parts on a non-abrasive floor before assembly, and follow the assembly steps to assemble your newly purchased product correctly and efficiently.

If you find that you have any trouble with assembly or missing or damaged parts please contact the seller.

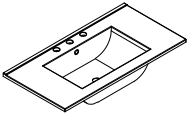
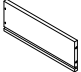
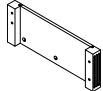
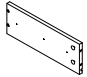
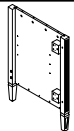
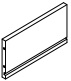

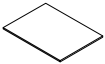

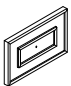
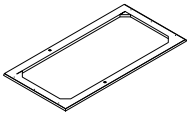
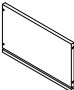

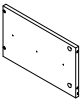
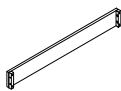
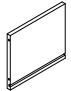
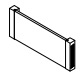
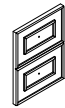
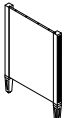
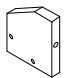
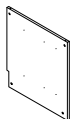
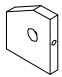
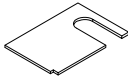
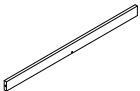
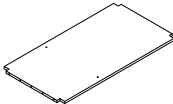
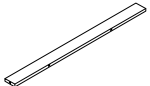
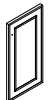
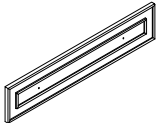


Cam Lock Assembly Instructions

	Insert Cam Bolt into hole as shown in diagram A.
	Make sure not to insert the Cam Bolt too deep as shown in figure B as this will cause the Cam Lock to be misaligned and unable to interlock properly.
	Also avoid inserting the Cam Bolt too close to the surface of the hole as shown in figure C, as this will cause the Cam Lock to be too loose, and not interlock properly.
	Connect the panels together.
	Insert the Cam Lock so the side opening fits over the head of the Cam Bolt.
	To tighten the Cam Lock, turn it clockwise on half a turn with a flat screwdriver. <i>*Do not use an automatic screwdriver as it may bend or break if too much power is imposed.</i>


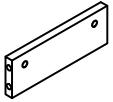
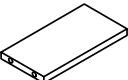
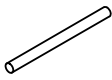
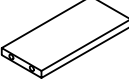
PRODUCT DETAILS





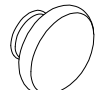


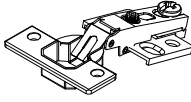

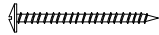


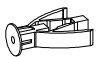
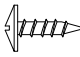


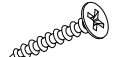
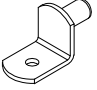



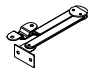

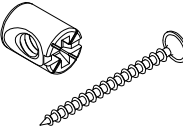

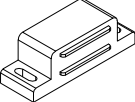


PARTS LIST

①	SINK (LAVABO)		1PC	⑩⑥	RIGHT DRAWER 1		1PC
②	UPPER RIGHT HIP		1PC	⑩⑦	LEFT DRAWER 1		1PC
③	LOWER RIGHT HIP		1PC	⑩⑧	BACK DRAWER 1		1PC
④	SIDE BAR UPPER RIGHT		1PC	⑩⑨	DRAWER BOTTOM		2PCS
⑤	LOWER RIGHT LEFT SIDE BAR		2PCS	⑩⑩	FRONT DRAWER 1		1PC
⑥	MIDDLE FRAME		1PC	⑩⑪	RIGHT DRAWER 2		1PC
⑦	SIDE BAR UPPER LEFT		1PC	⑩⑫	LEFT DRAWER 2		1PC
⑧	REAR CROSSBAR		2PCS	⑩⑬	BACK DRAWER 2		1PC
⑨	UPPER LEFT HIP		1PC	⑩⑭	FRONT DRAWER 2		1PC
⑩	LOWER LEFT HIP		1PC	⑩⑮	RIGHT SIDE FLIP DRAWER		1PC
⑪	PARTITION BOARD		1PC	⑩⑯	LEFT SIDE FLIP DRAWER		1PC
⑫	SHELF PANEL		1PC	⑩⑰	BACK SIDE FLIP DRAWER		1PC
⑬	BOTTOM BOARD		1PC	⑩⑱	FLIP DRAWER BOTTOM		1PC
⑭	RIGHT DOOR PANEL		1PC	⑩⑲	FRONT FLIP DRAWER		1PC
⑮	LEFT DOOR PANEL		1PC	⑩⑳	RIGHT SIDE DOOR		2PCS

PARTS LIST

31	LEFT SIDE DOOR		2PCS	34	BACK PANEL DOOR		2PCS
32	SHELF PANEL DOOR 1		2PCS	35	ROUND WOOD		2PCS
33	SHELF PANEL DOOR 2		2PCS				

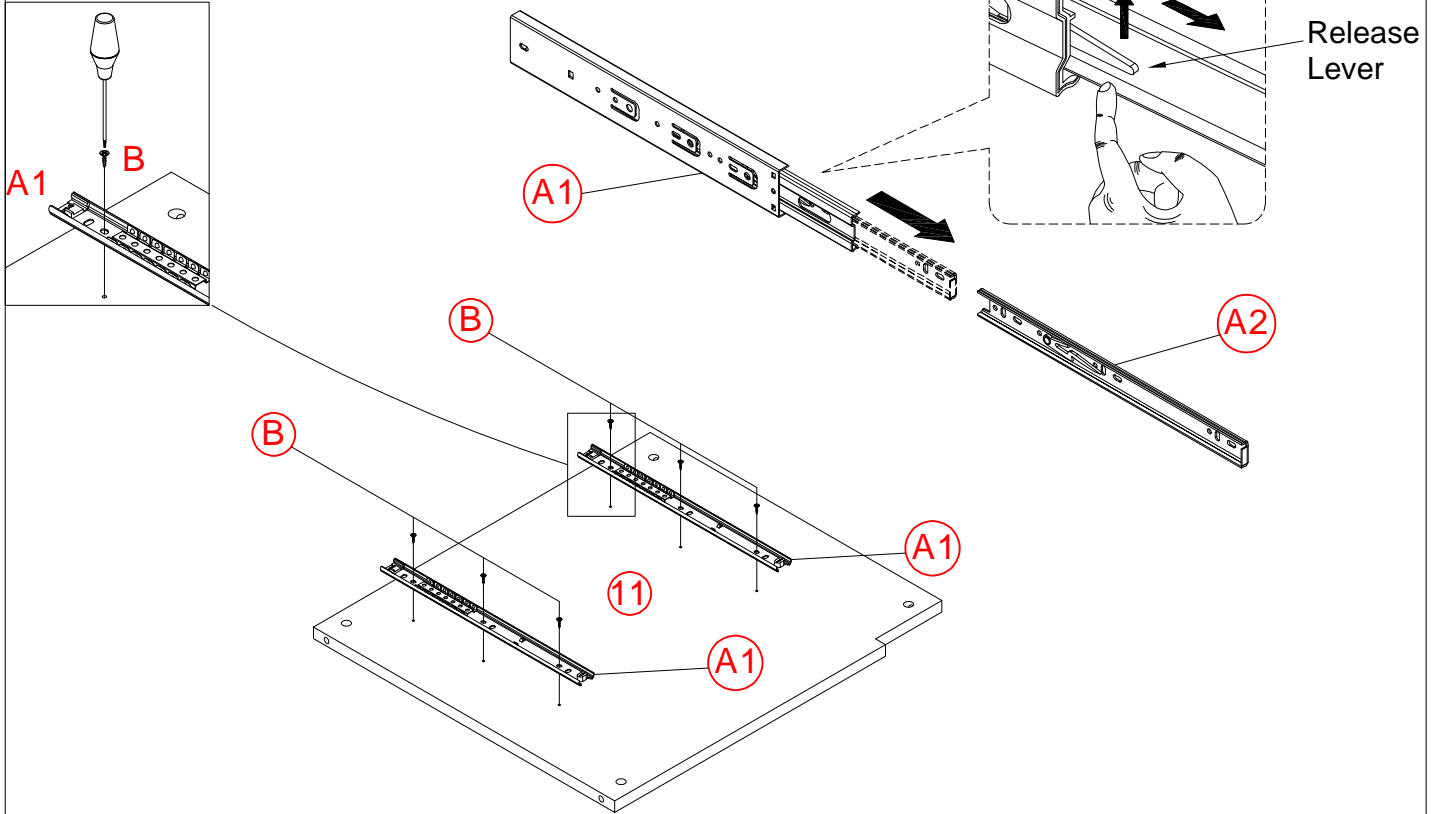
HARDWARE LIST

Ⓐ	A1 : D300MM 	4SETS	Ⓛ	M4*20MM  	7SET
	A2 : D300MM 				
Ⓑ	3.5*10MM 	30PCS	Ⓜ	HINGES 	4PCS
Ⓒ	Ø5*35MM 	65PCS	Ⓝ	     	2SETS
Ⓓ	Ø 8*30MM 	16PCS			
Ⓔ	4*25MM 	10PCS	Ⓞ	L15MM 	6PCS
Ⓕ	M6*30MM 	8PCS	Ⓟ	3.5*12MM 	10PCS
Ⓖ	L4*58MM 	1PC	Ⓠ	HANDLE 	1PC
Ⓗ	M6*45MM 	4PCS	Ⓡ	M4*50MM 	8SET
Ⓘ	Ø 15MM 	65PCS			
Ⓙ	L45MM  	3SET			
Ⓚ	3.5*15MM 	30PCS			

ASSEMBLY TOOLS REQUIRED (NOT INCLUDED)

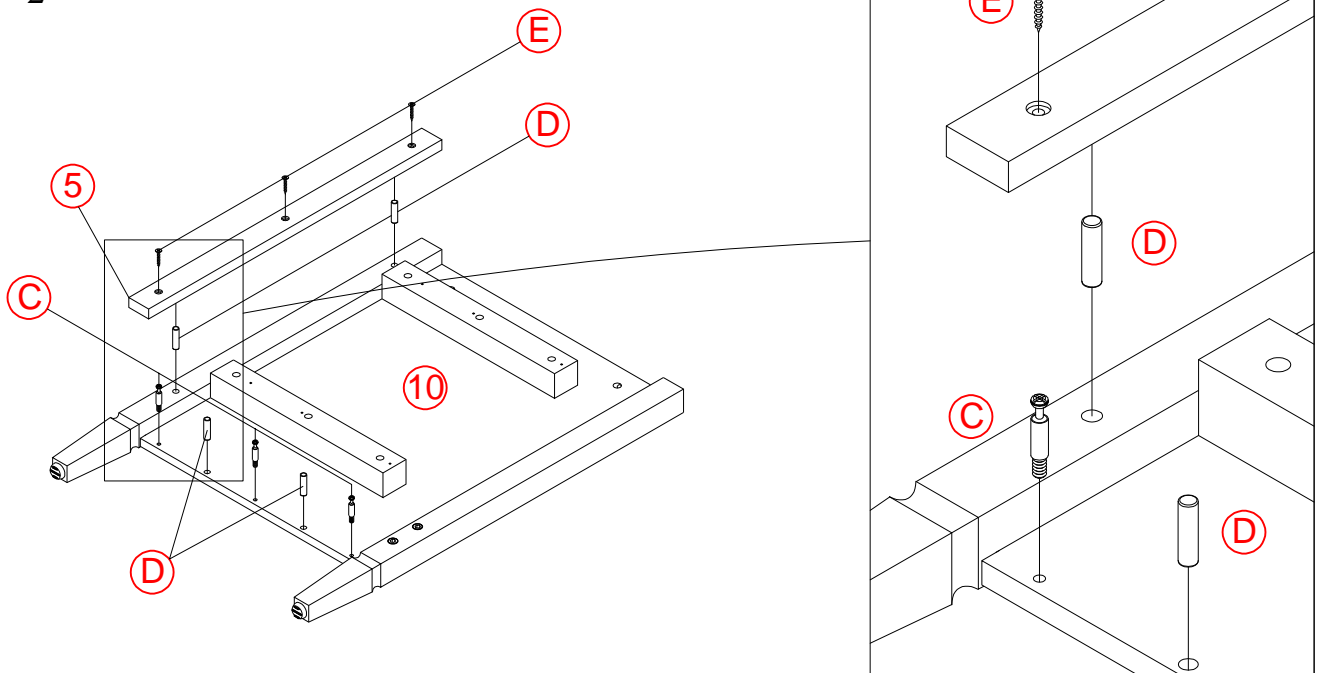




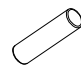
STEP 1



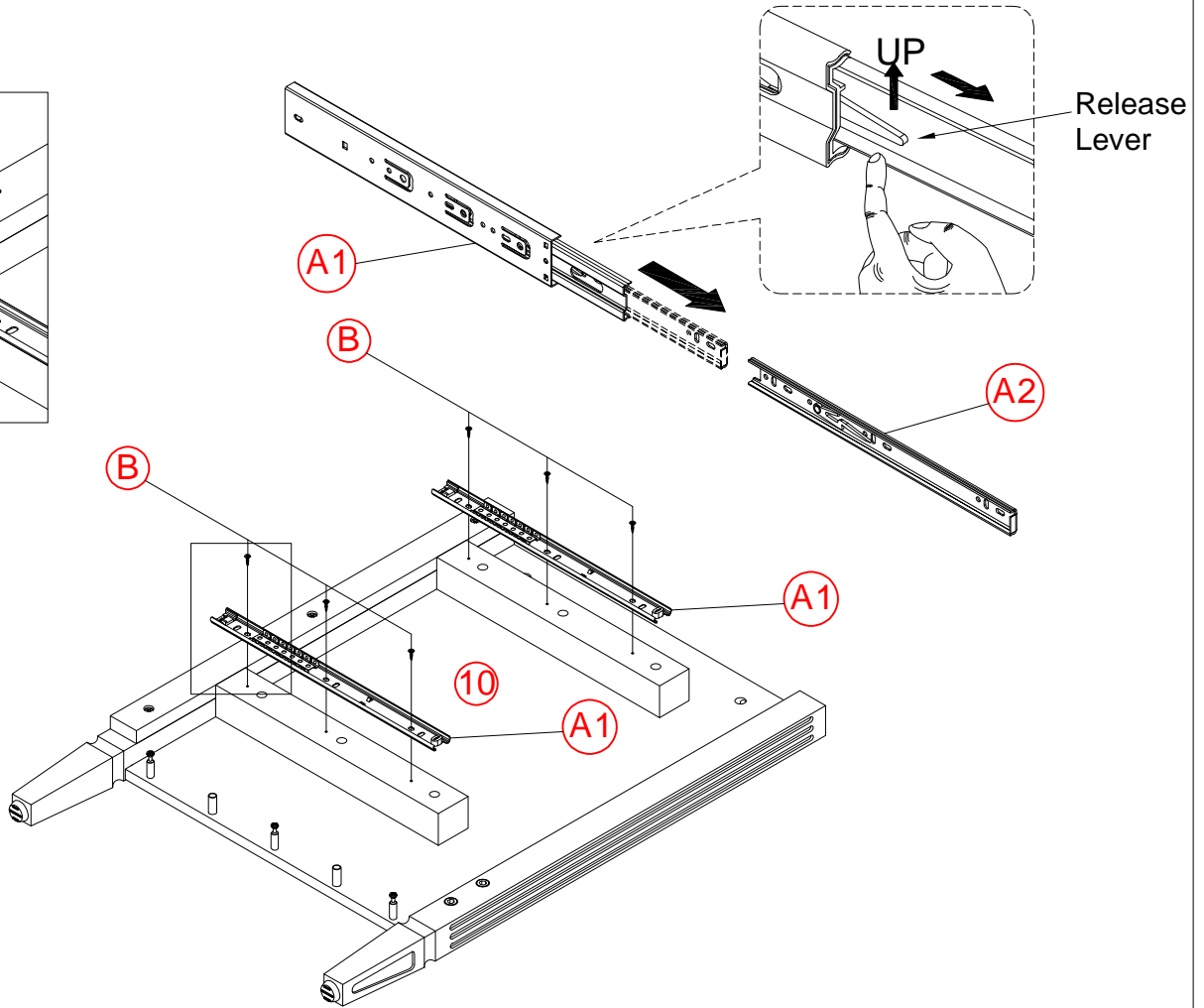
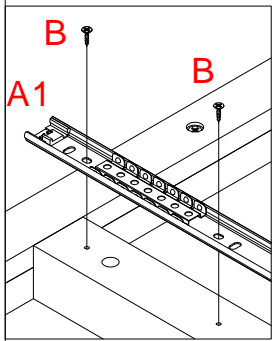
<p>(A)</p>	<p>L45*300MM</p> 	<p>2PCS</p>	<p>(B)</p>	<p>3.5*10MM</p> 	<p>6PCS</p>
------------	--	-------------	------------	---	-------------

STEP 2



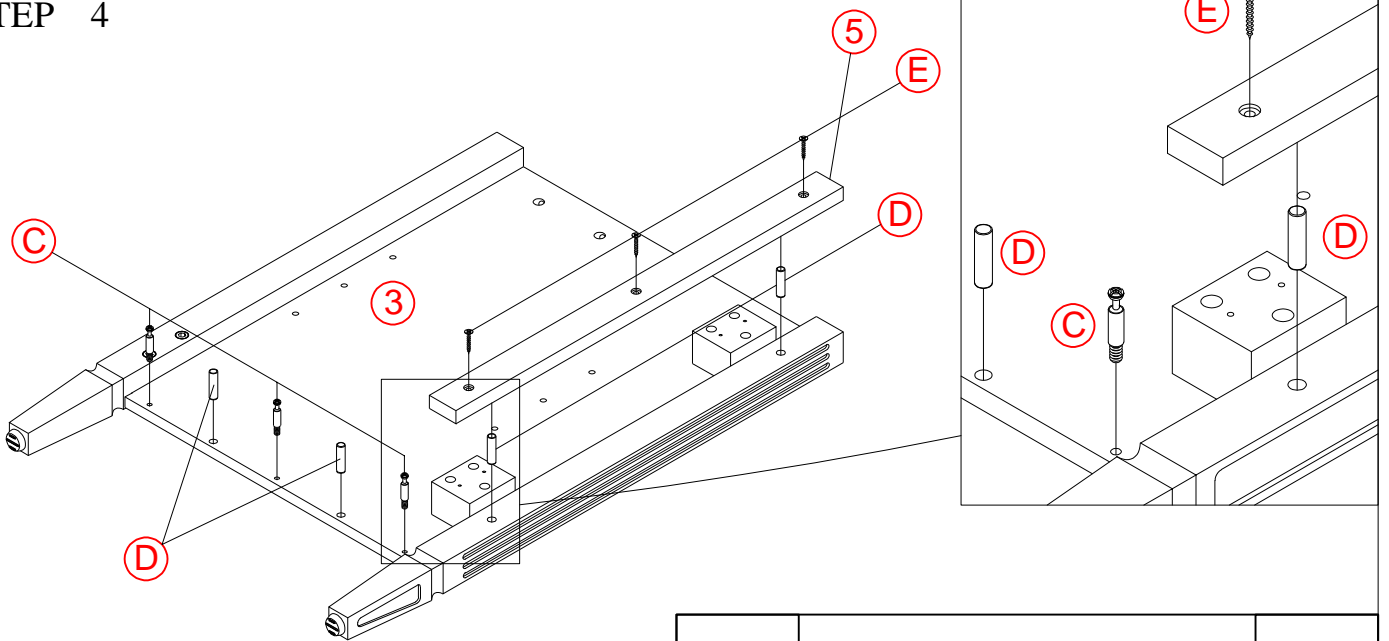
<p>(C)</p>	<p>Ø5*35MM</p> 	<p>3PCS</p>	<p>(E)</p>	<p>4*25MM</p> 	<p>3PCS</p>
<p>(D)</p>	<p>Ø 8 * 30MM</p> 	<p>4PCS</p>			

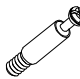

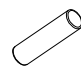
STEP 3



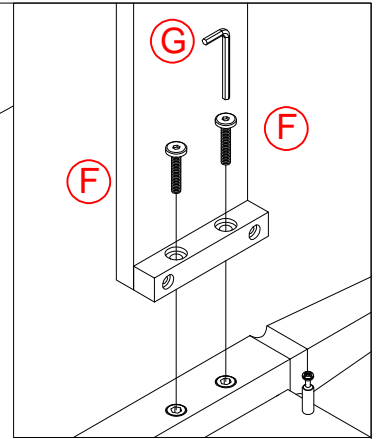
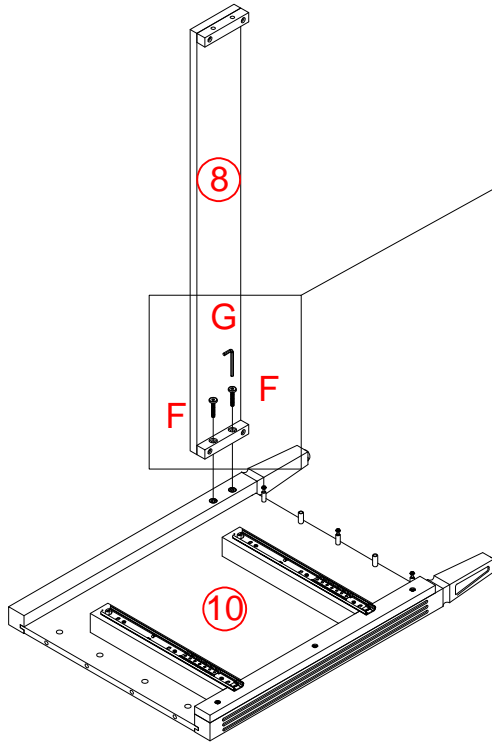
<p>(A)</p>	<p>L45*300MM</p> 	<p>2PCS</p>	<p>(B)</p>	<p>3.5*10MM</p> 	<p>6PCS</p>
------------	--	-------------	------------	---	-------------

STEP 4



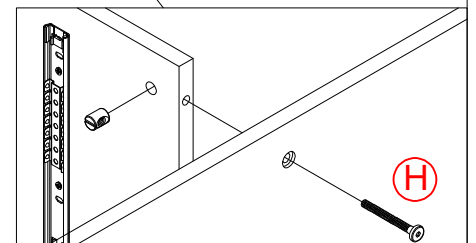
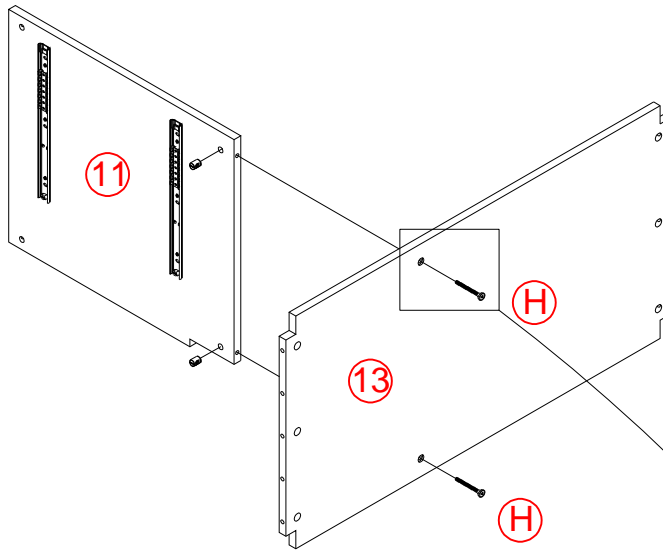
	<p>(C)</p> <p>Ø5*35MM</p> 	<p>3PCS</p>	<p>(E)</p> <p>4*25MM</p> 	<p>3PCS</p>
<p>(C)</p>	<p>Ø5*35MM</p>	<p>3PCS</p>	<p>(D)</p> <p>Ø 8 * 30MM</p> 	<p>4PCS</p>

STEP 5



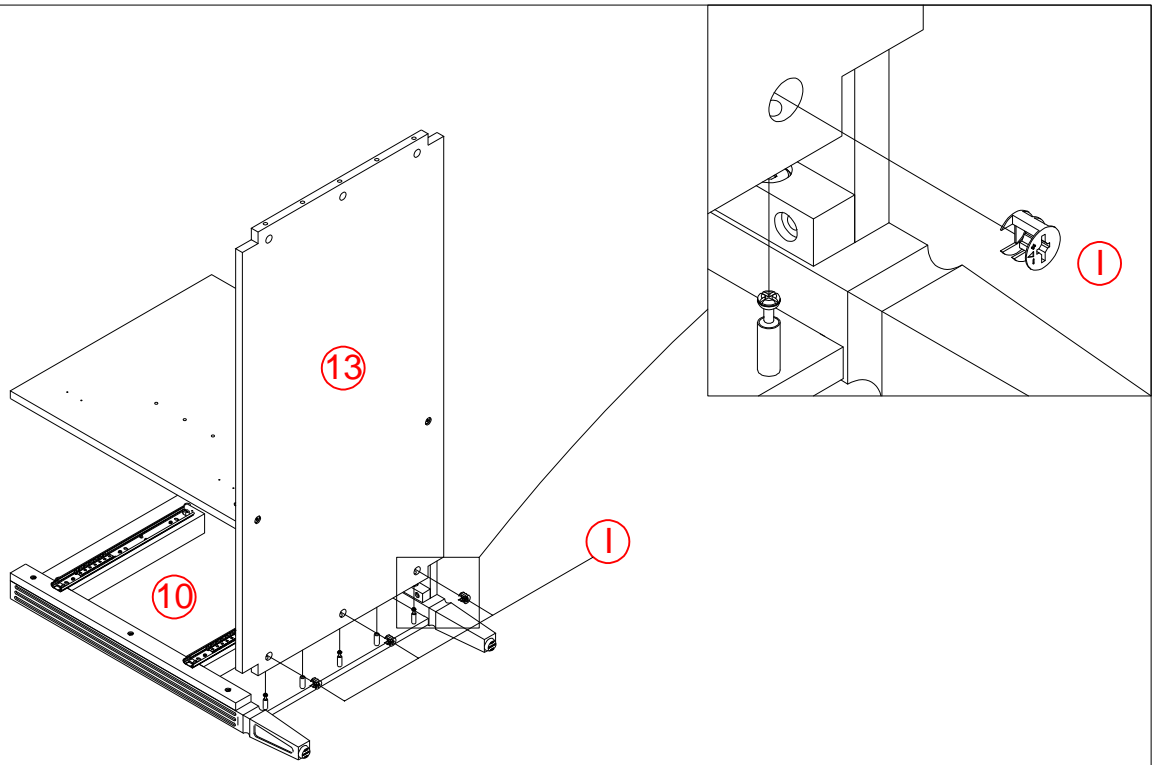
	M6*30MM		2PCS		1PC
---	---------	---	------	---	-----


STEP 6



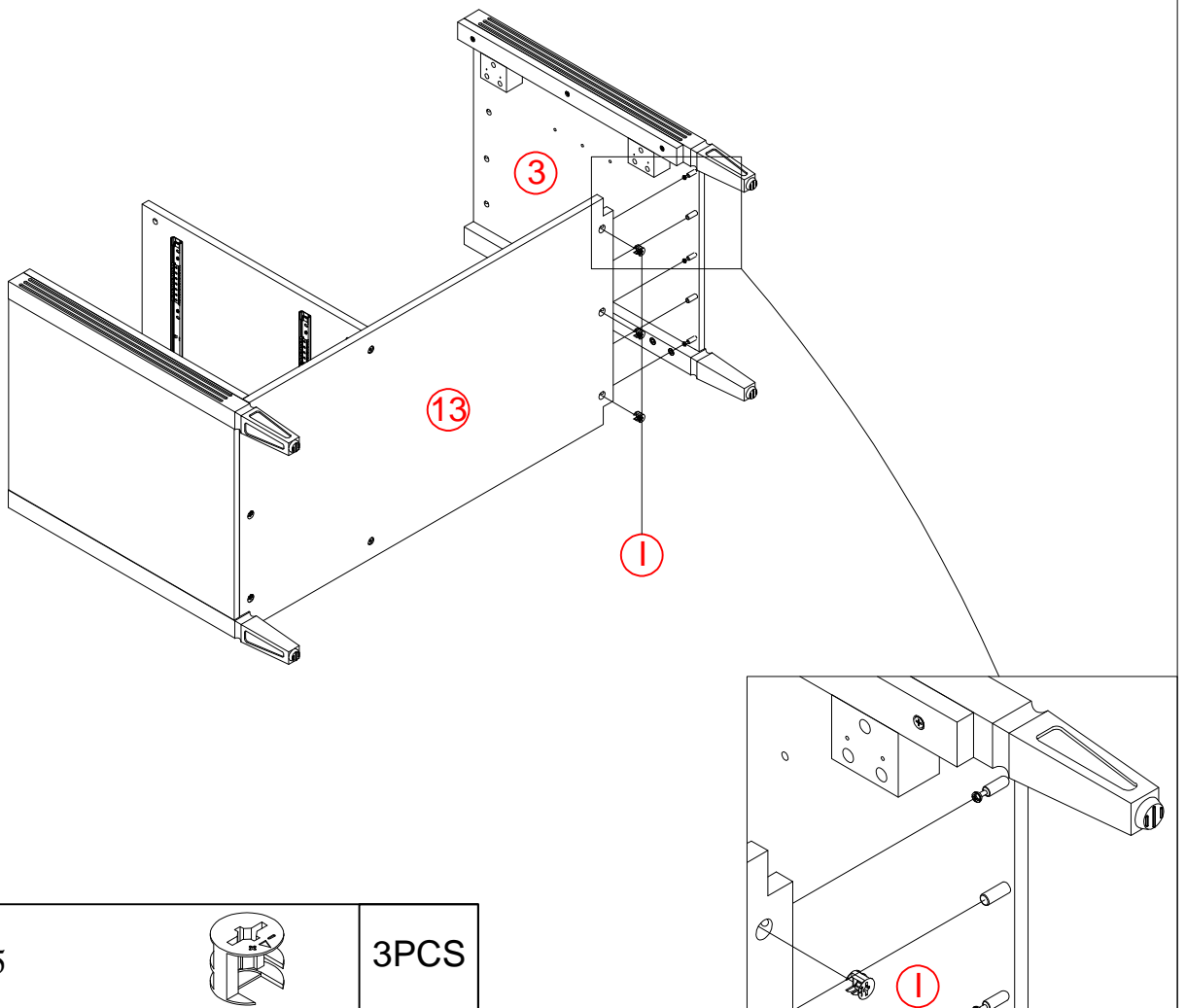
	M6*45MM		2PCS
---	---------	---	------

STEP 7



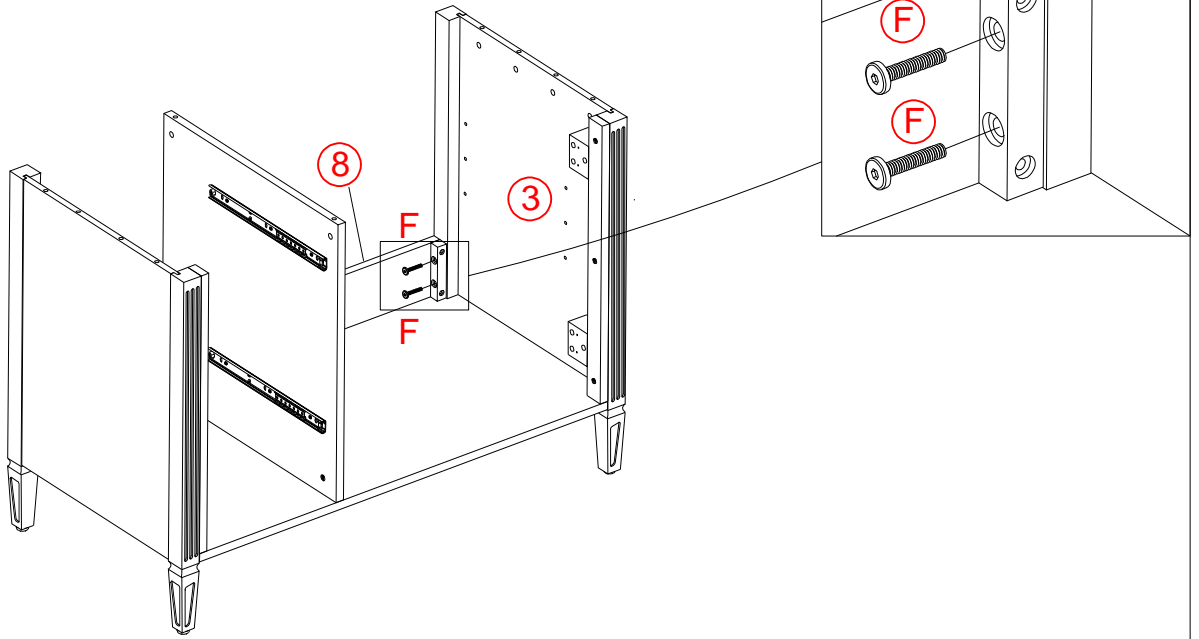
①	Ø 15		3PCS
---	------	--	------

STEP 8



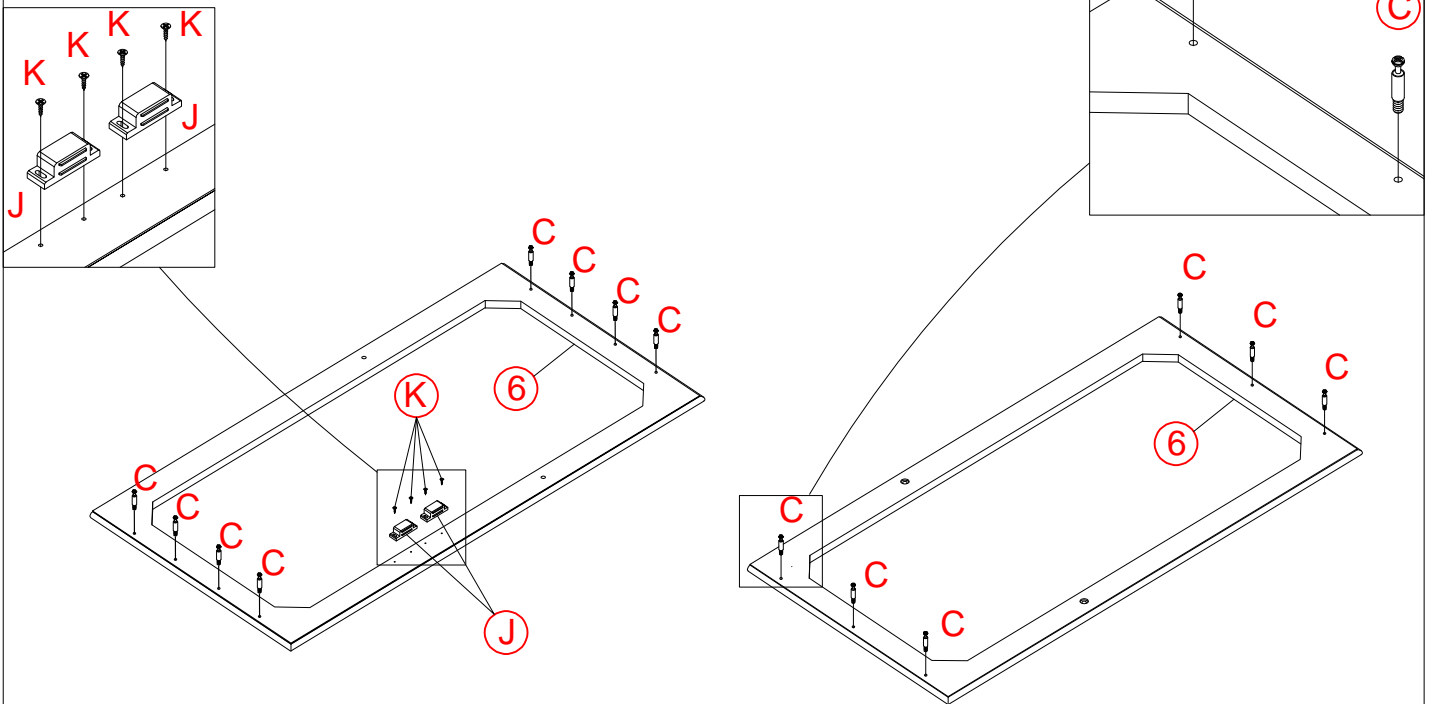
①	Ø 15		3PCS
---	------	---	------

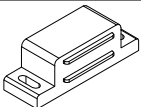
STEP 9



ⓕ	M6*30MM		2PCS
---	---------	---	------

STEP 10

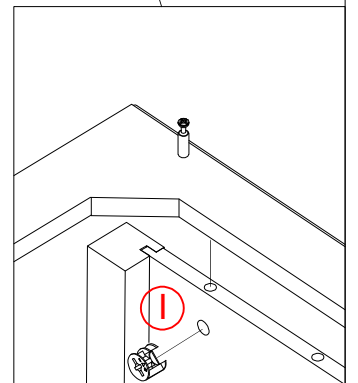
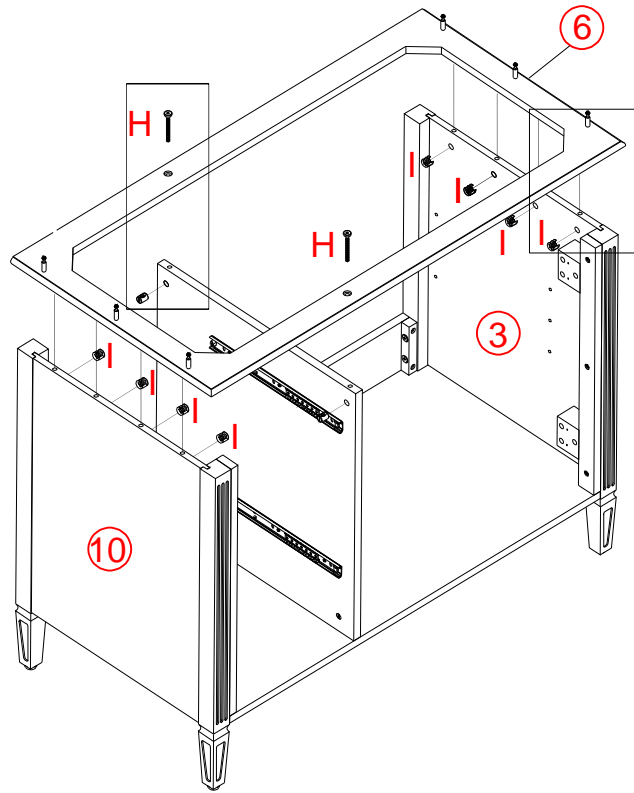
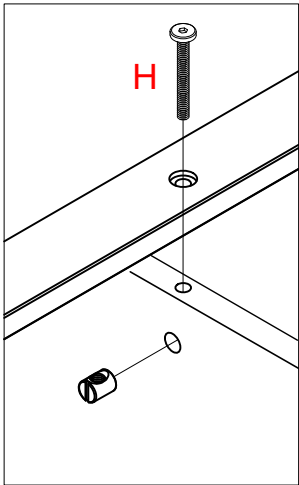


ⓐ	L45MM		2PCS
---	-------	---	------

ⓐ	Ø5*35MM		14PCS
---	---------	---	-------

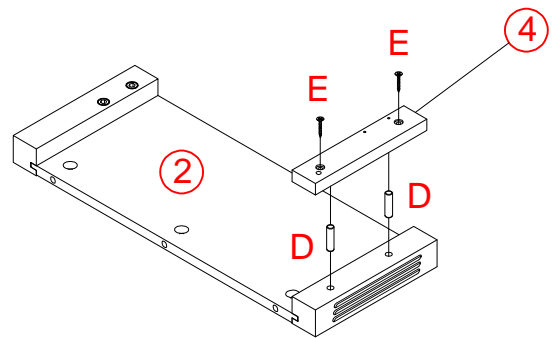
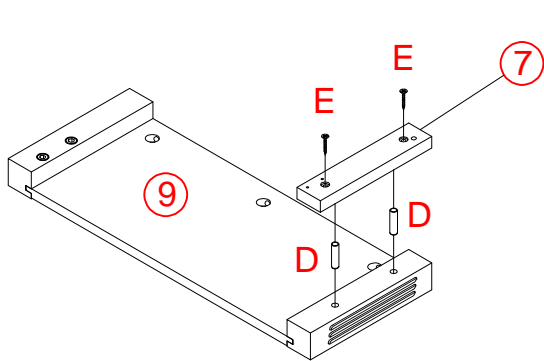
ⓐ	3.5*15MM		4PCS
---	----------	---	------

STEP 11



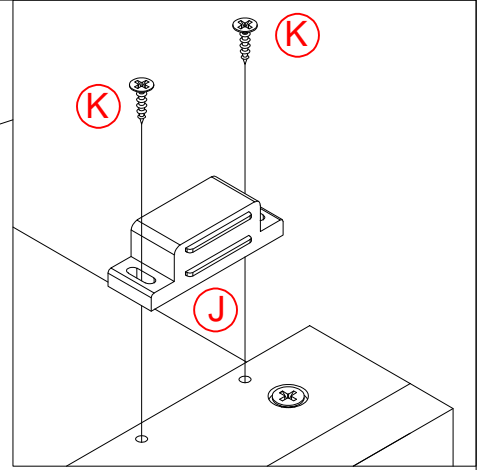
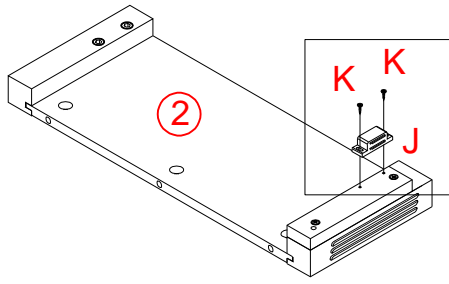
<p>ⓐ</p>	<p>Ø 15</p>		<p>8PCS</p>
<p>ⓗ</p>	<p>M6*45MM</p>		<p>2PCS</p>


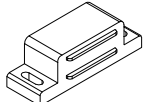
STEP 12



<p>ⓔ</p>	<p>4*25MM</p>		<p>4PCS</p>	<p>ⓓ</p>	<p>Ø 8 * 30MM</p>		<p>4PCS</p>
----------	---------------	--	-------------	----------	-------------------	--	-------------

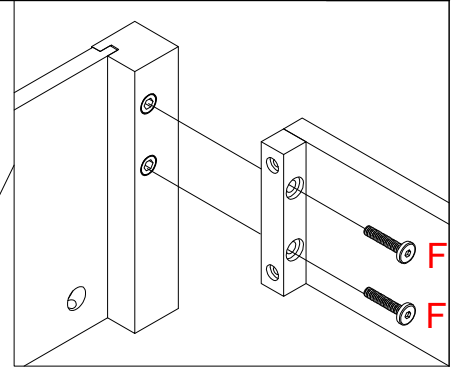
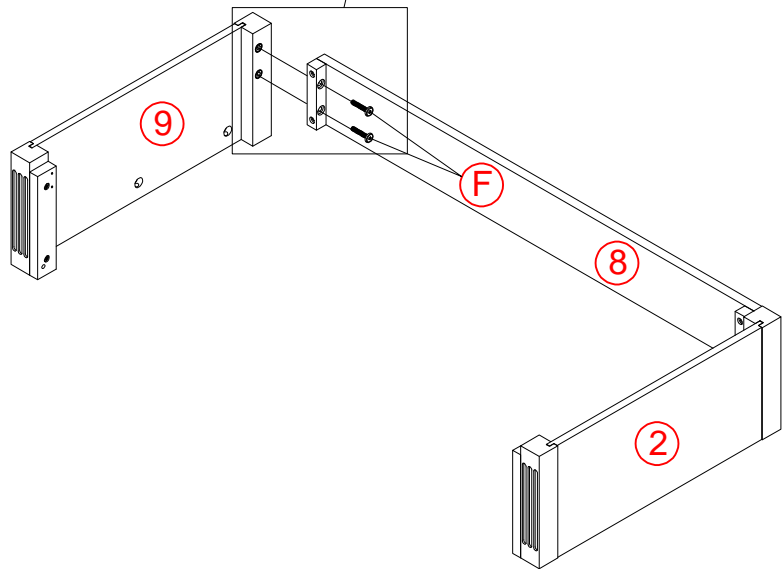
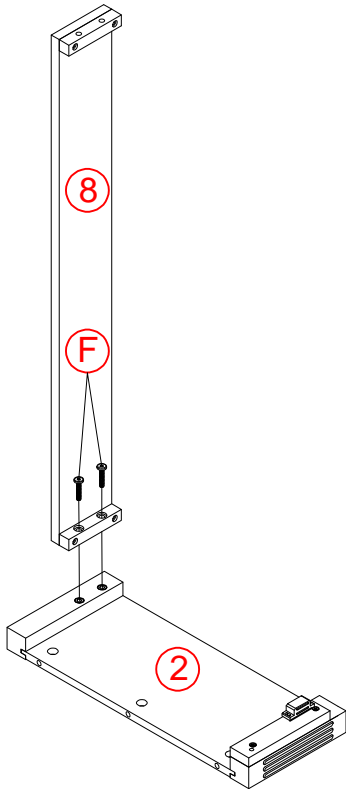
STEP 13



	L45MM		1PC
---	-------	---	-----

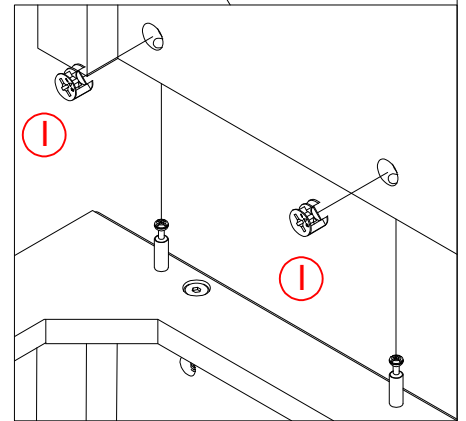
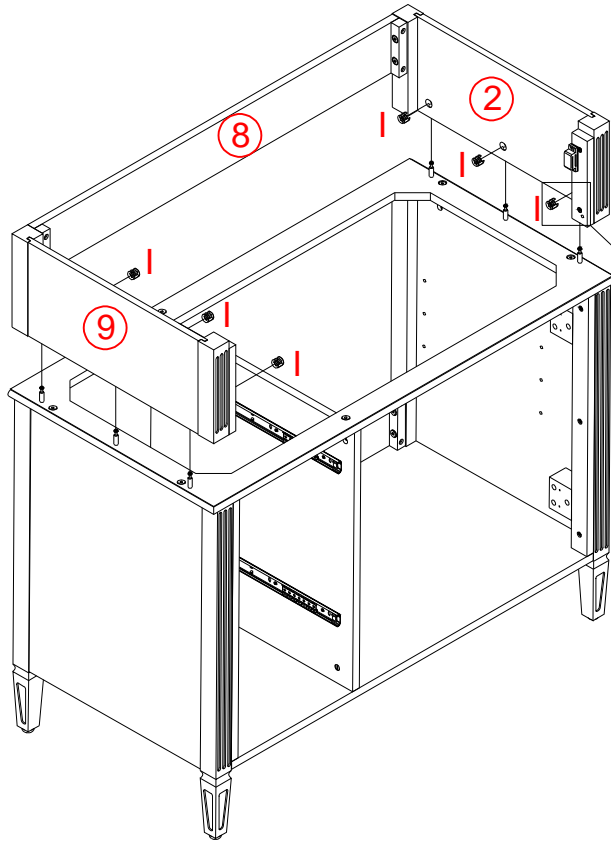
	3.5*15MM		2PCS
---	----------	---	------

STEP 14



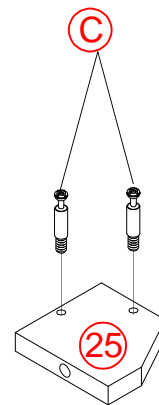
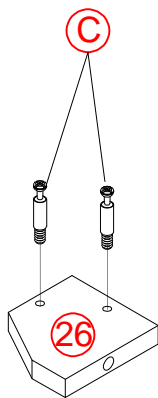
	M6*30MM		4PCS
---	---------	---	------

STEP 15



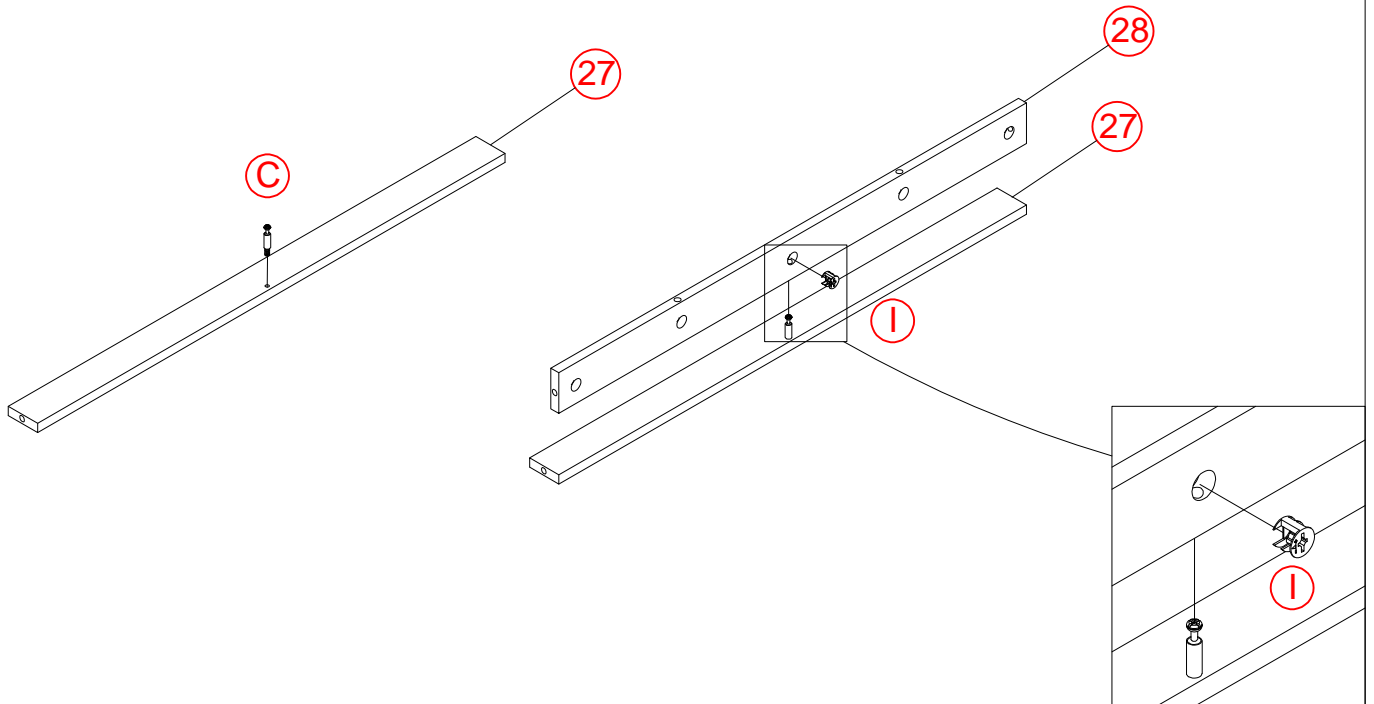
	Ø 15		6PCS
---	------	---	------



STEP 16



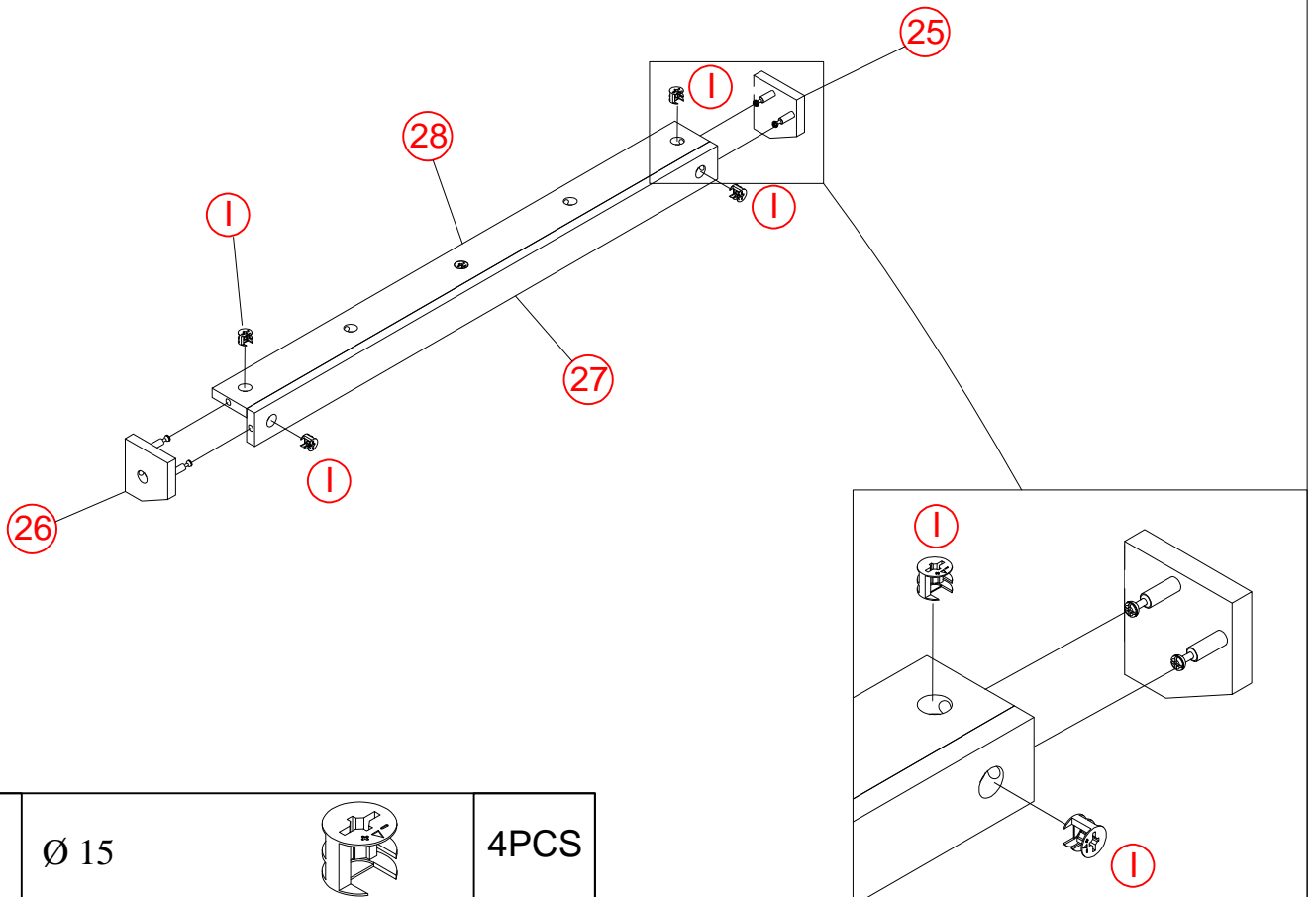
	Ø5*35MM		4PCS
---	---------	---	------


STEP 17



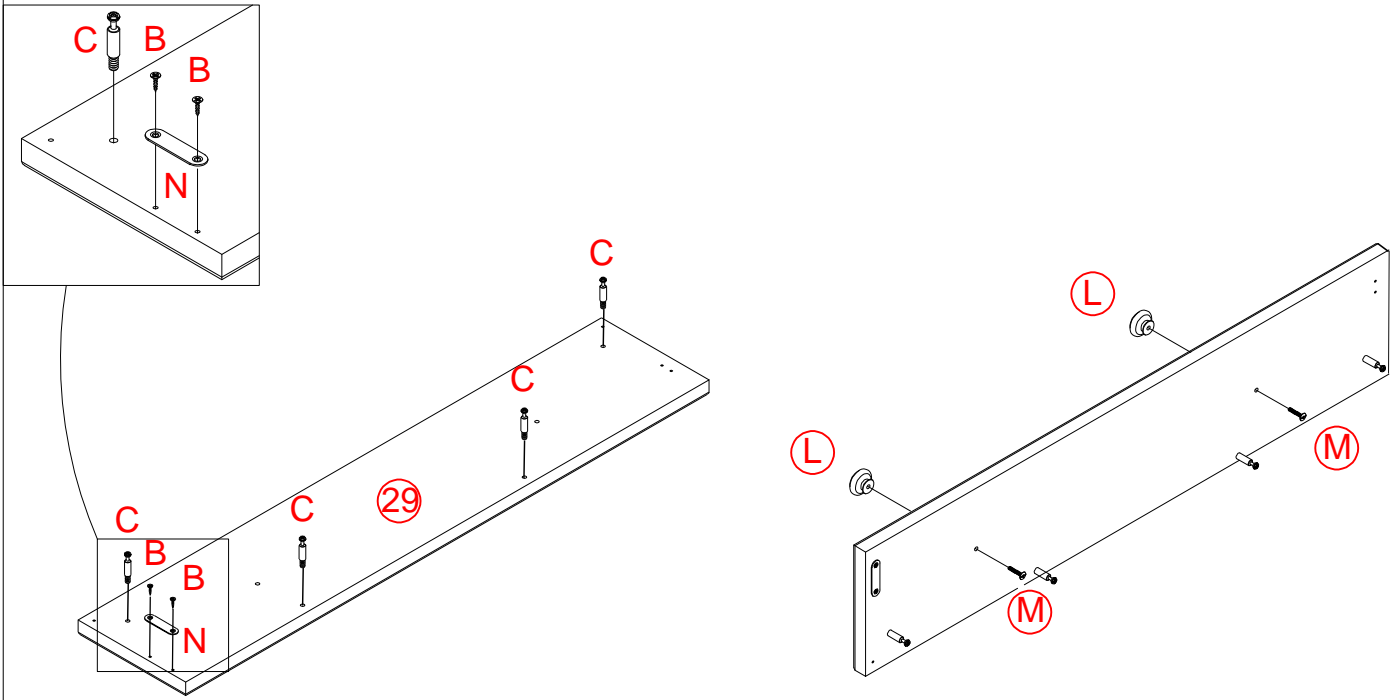
<p>(C)</p>	<p>Ø5*35MM</p>	 <p>1PC</p>	<p>(I)</p>	<p>Ø 15</p>	 <p>1PC</p>
------------	----------------	---	------------	-------------	---

STEP 18



<p>(I)</p>	<p>Ø 15</p>	 <p>4PCS</p>
------------	-------------	---

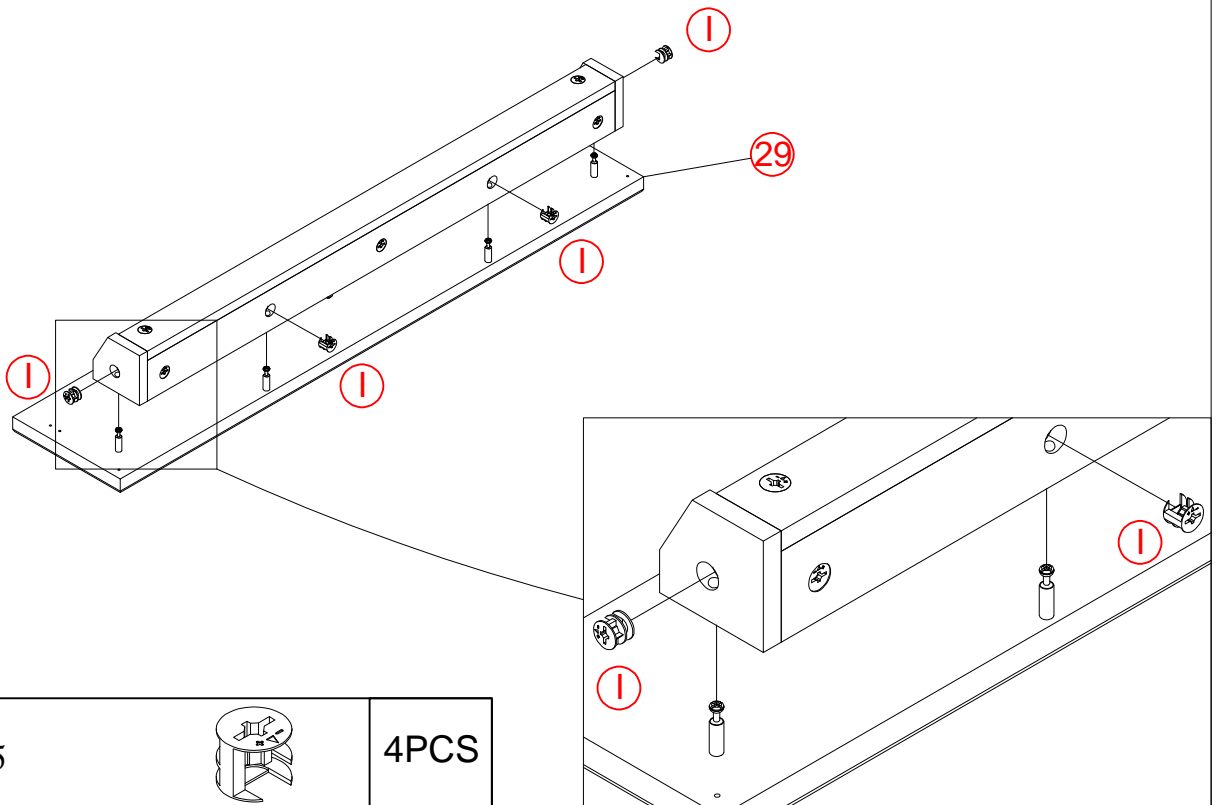
STEP 19



(N)	L45MM		1PC
(B)	3.5*10MM		2PCS
(M)	M4*20MM		2PCS

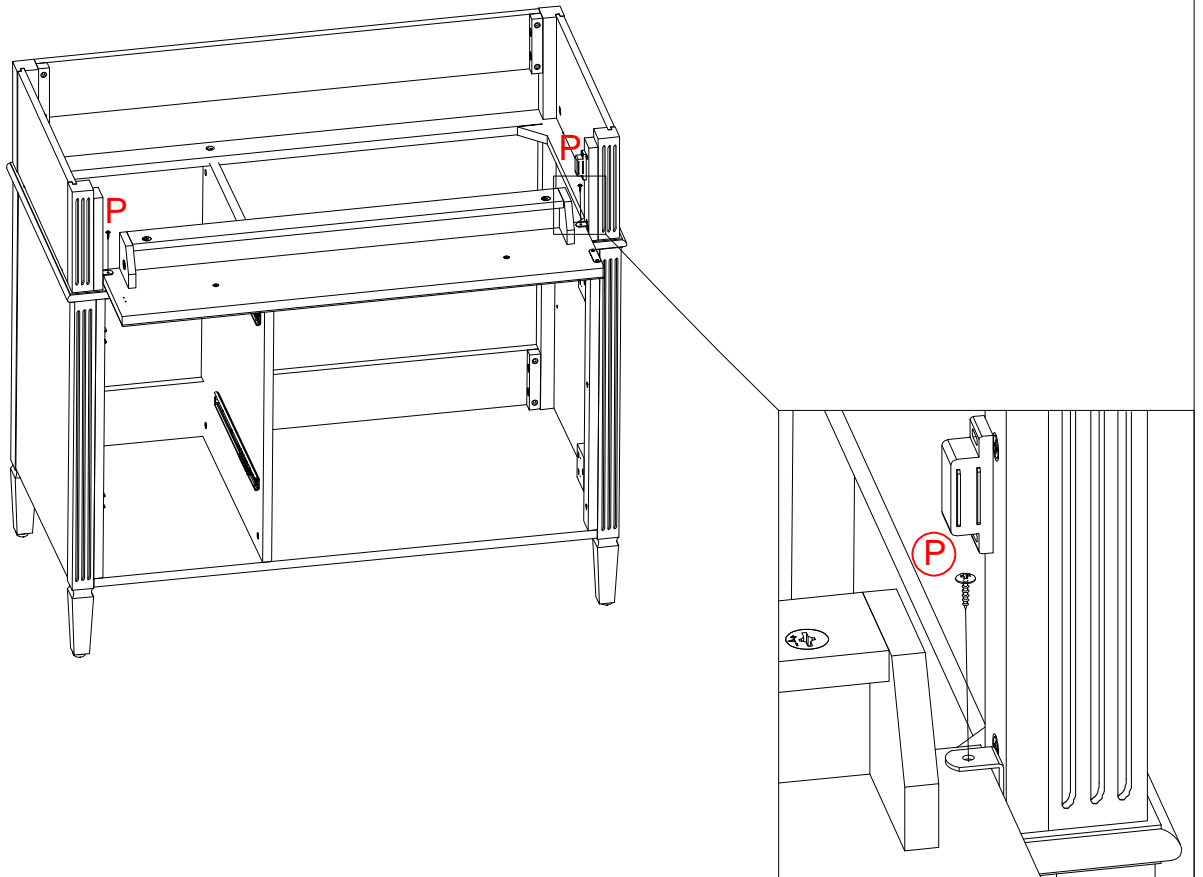
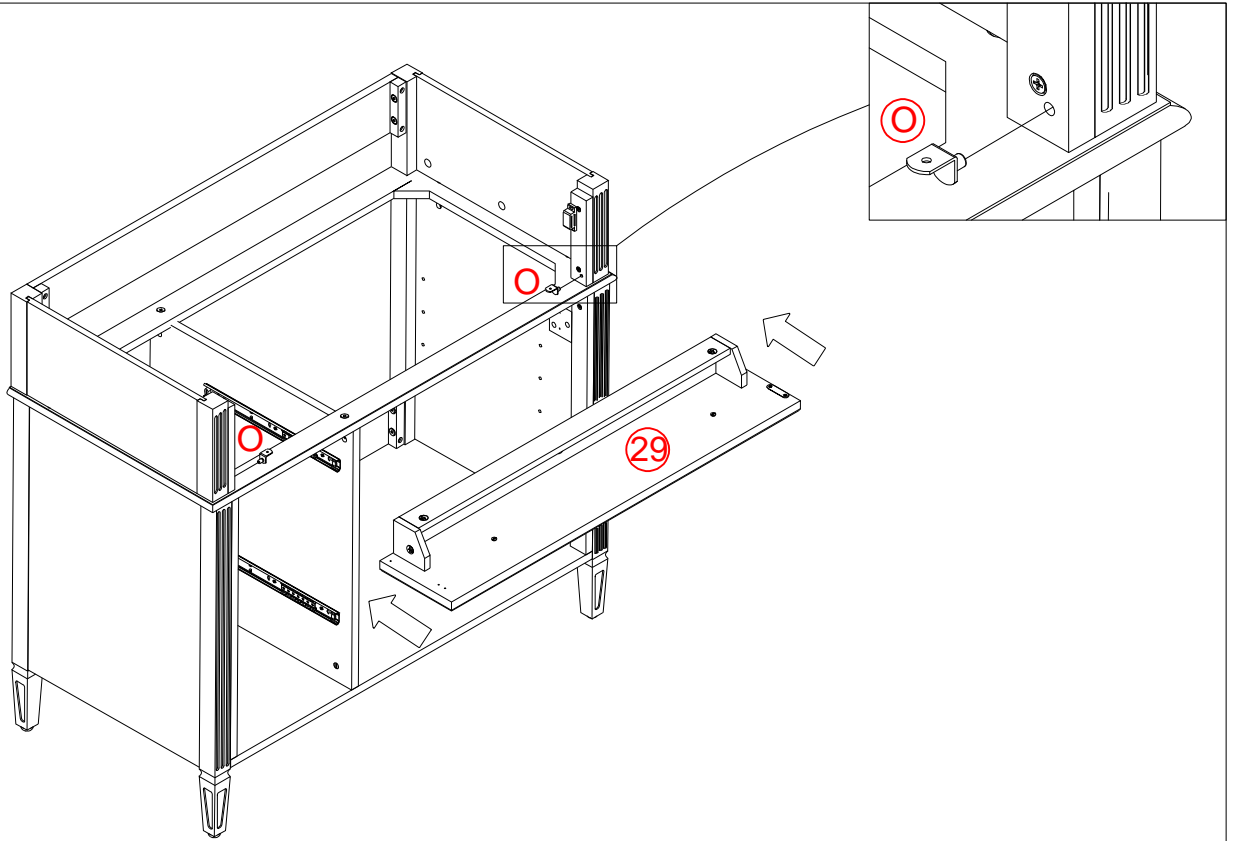
(C)	Ø5*35MM		4PCS
(L)	Ø30MM		2PCS

STEP 20



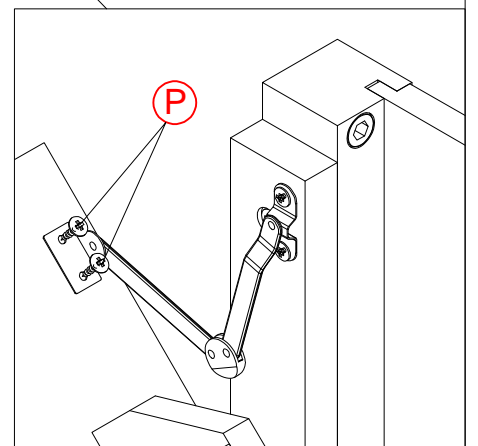
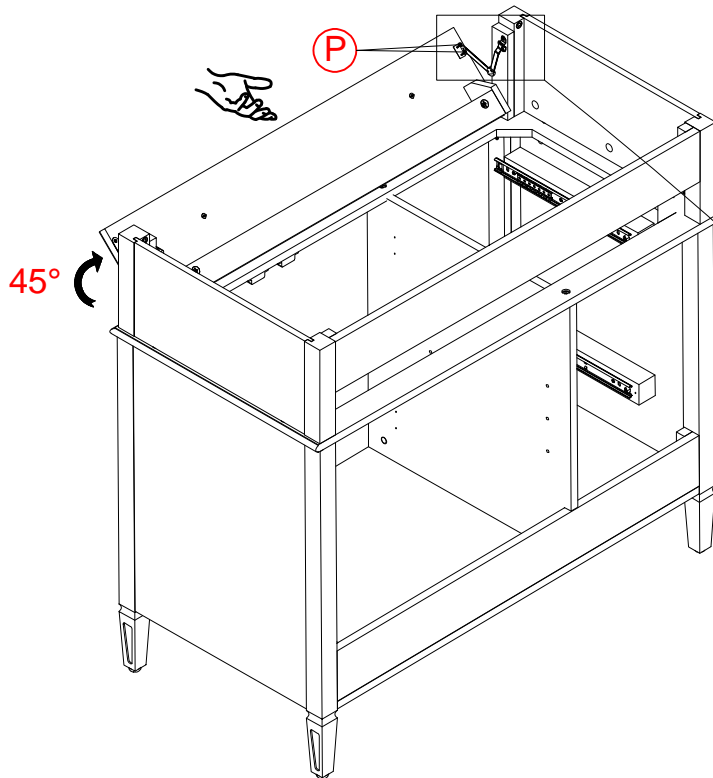
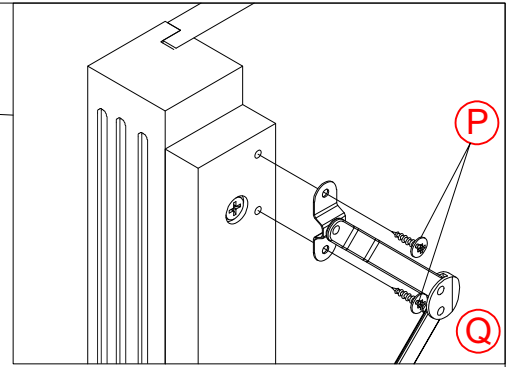
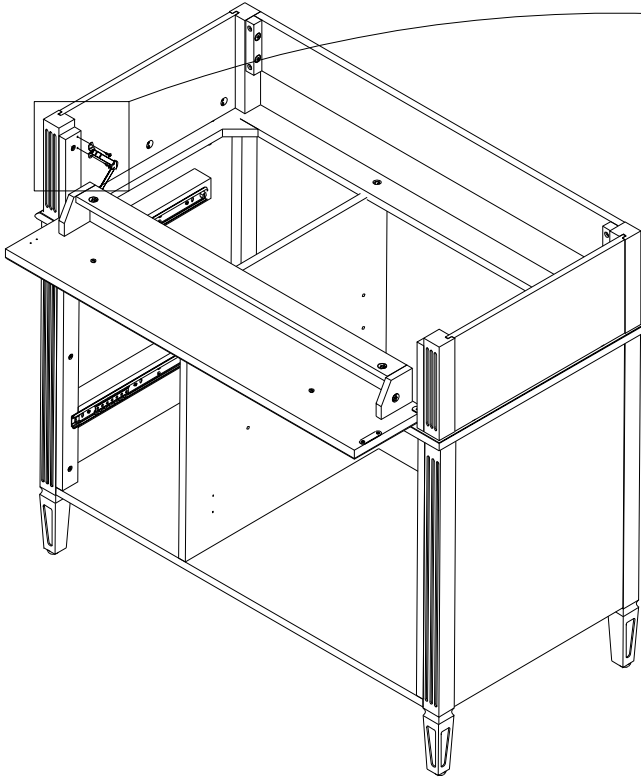
(I)	Ø 15		4PCS
-----	------	--	------

STEP 21



	3.5*12MM		2PCS		L15MM		2PCS
---	----------	---	------	---	-------	---	------

STEP 22



(P)

3.5*12MM



4PCS

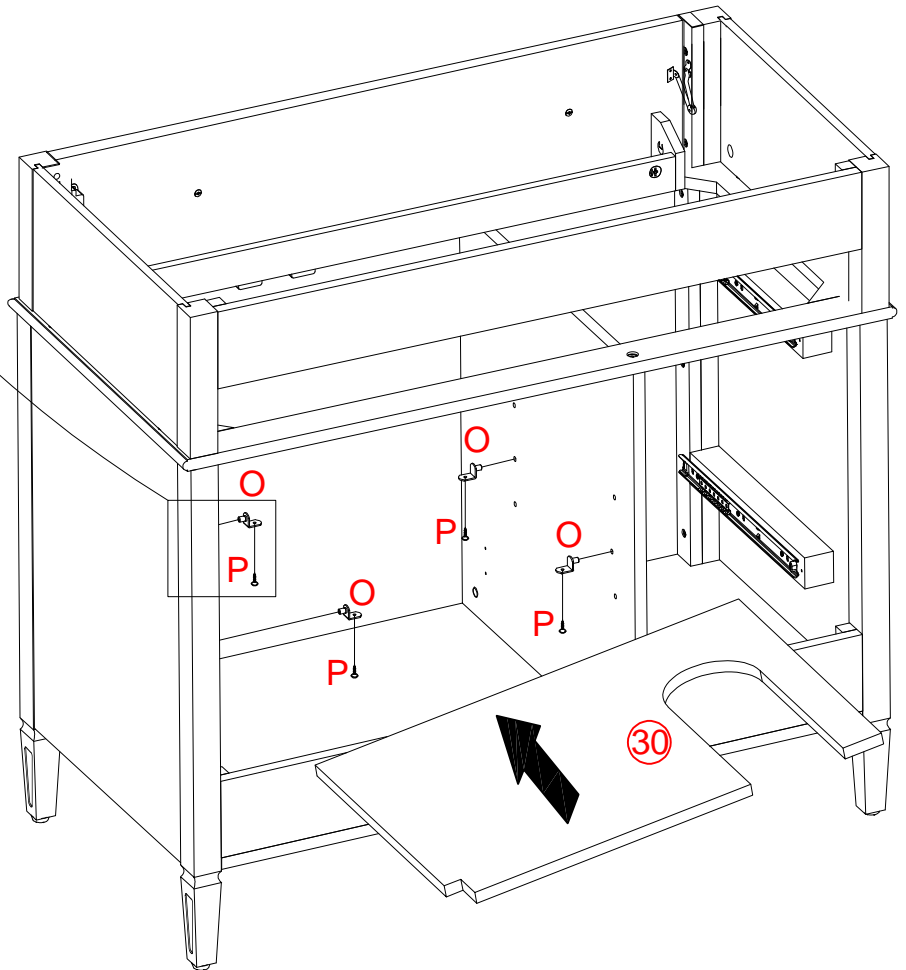
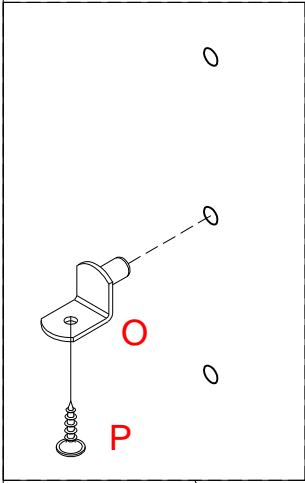
(Q)

HANDLE



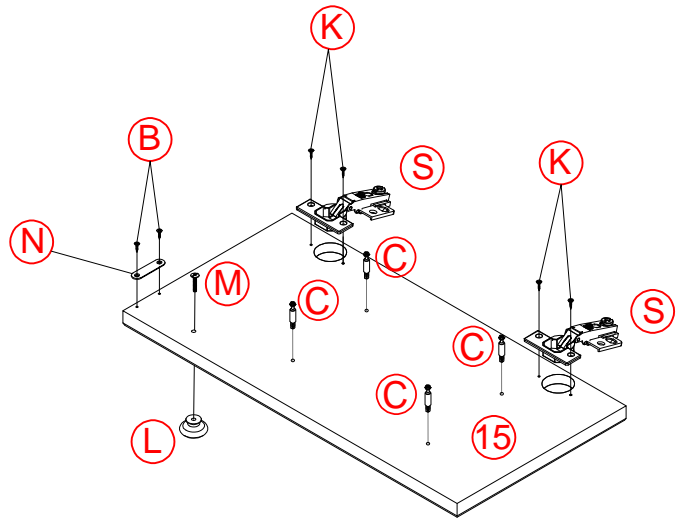
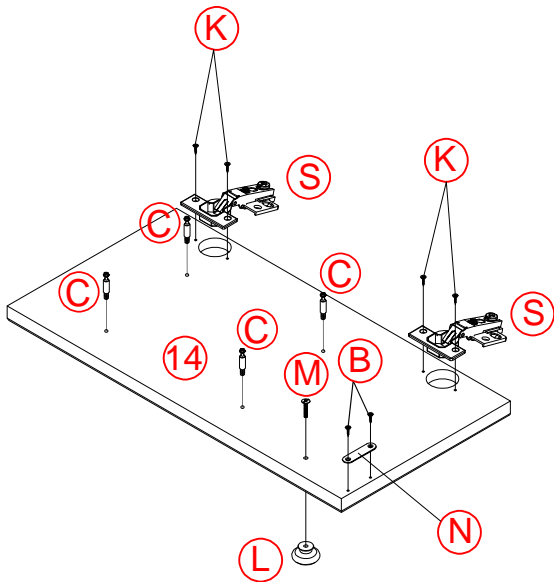
1PC

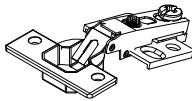
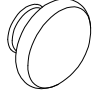
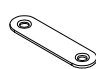
STEP 23







 (P)	3.5*12MM		4PCS	 (O)	L15MM		4PCS
---	----------	---	------	---	-------	---	------

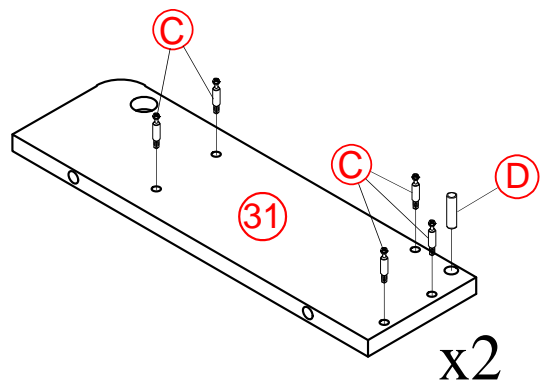
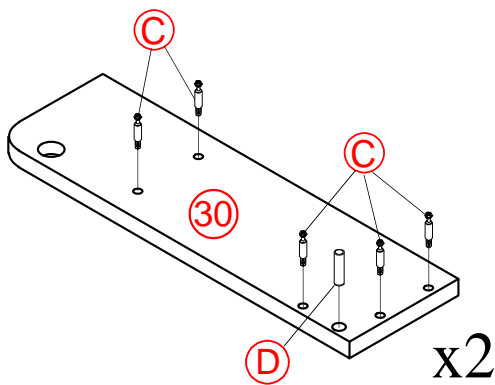
STEP 24



(S)	HINGES		4PCS
(L)	Ø30MM		2PCS
(N)	L45MM		2PCS

(C)	Ø5*35MM		8PCS
(K)	3.5*15MM		8PCS
(M)	M4*20MM		2PCS
(B)	3.5*10MM		4PCS

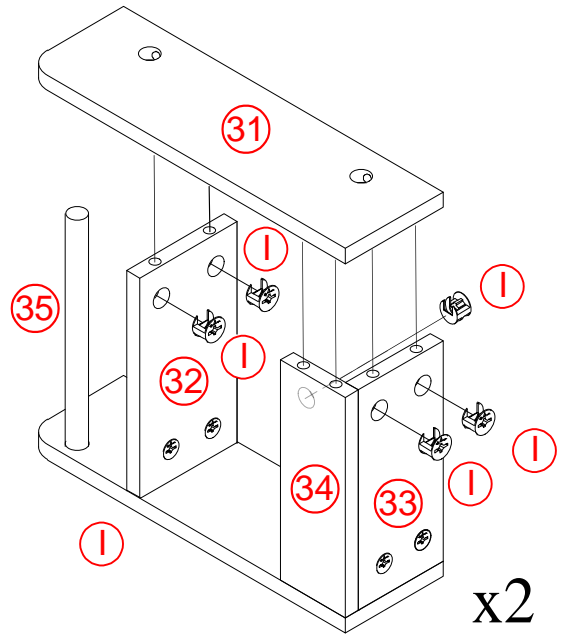
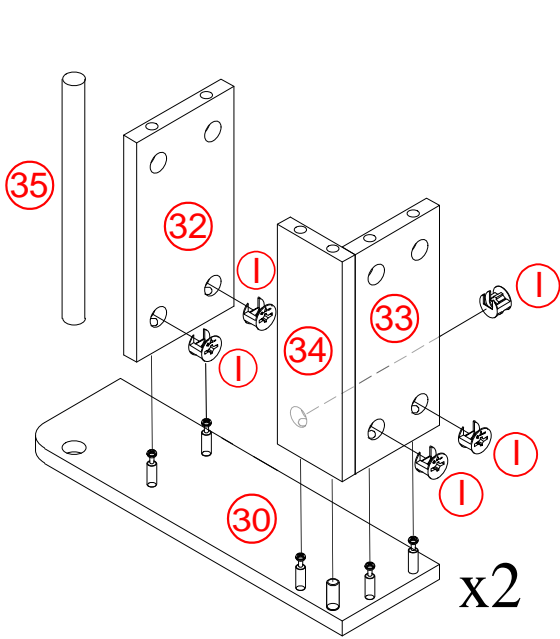
STEP 25



(C)	Ø5*35MM		20PCS
-----	---------	---	-------

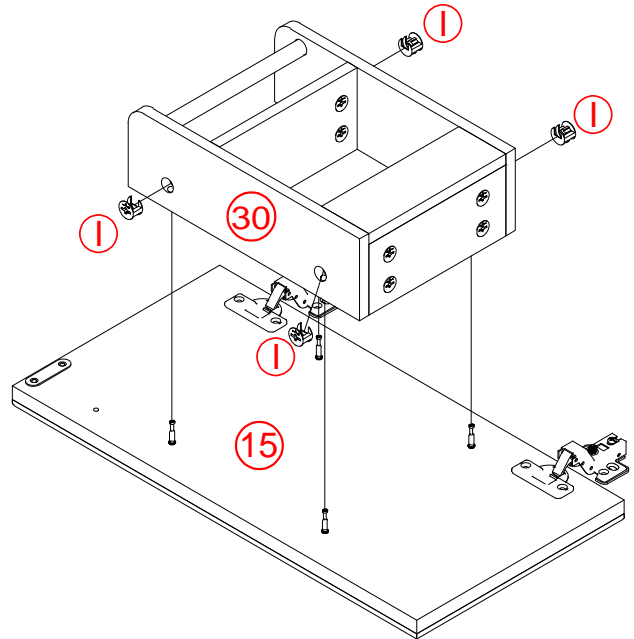
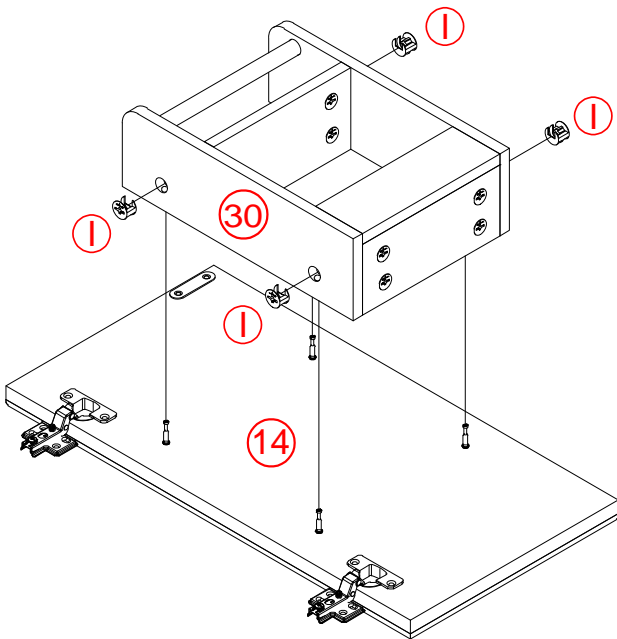
(D)	Ø 8 * 30MM		4PCS
-----	------------	---	------

STEP 26



①	Ø 15		20PCS
---	------	--	-------

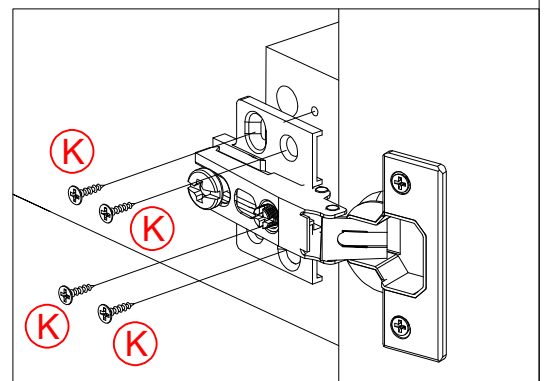
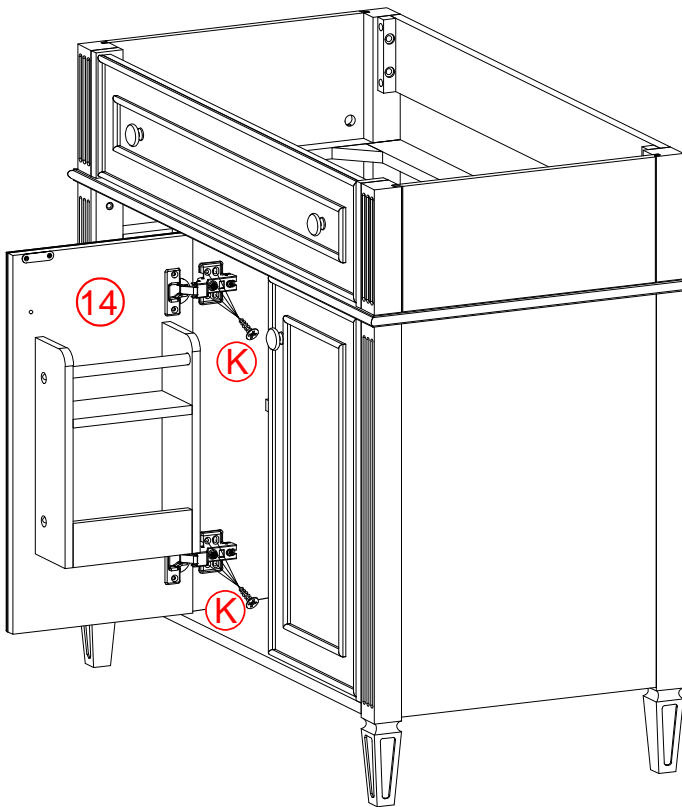
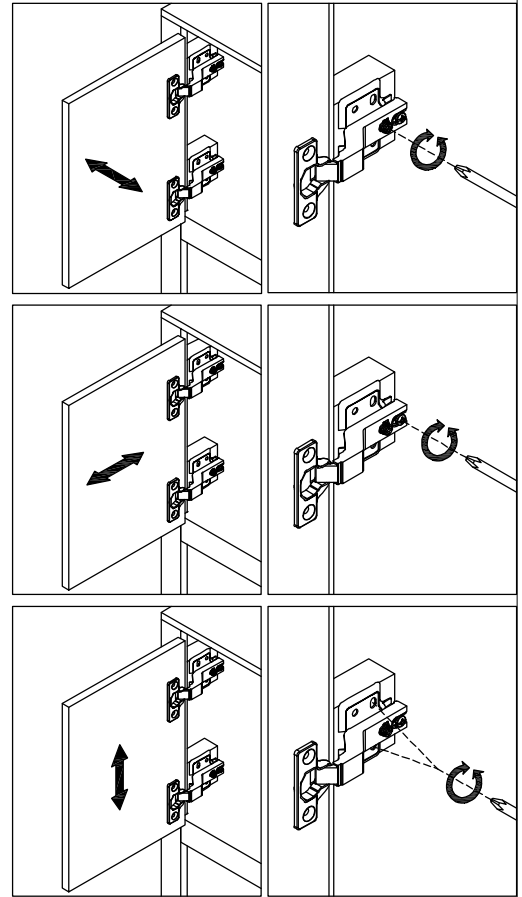
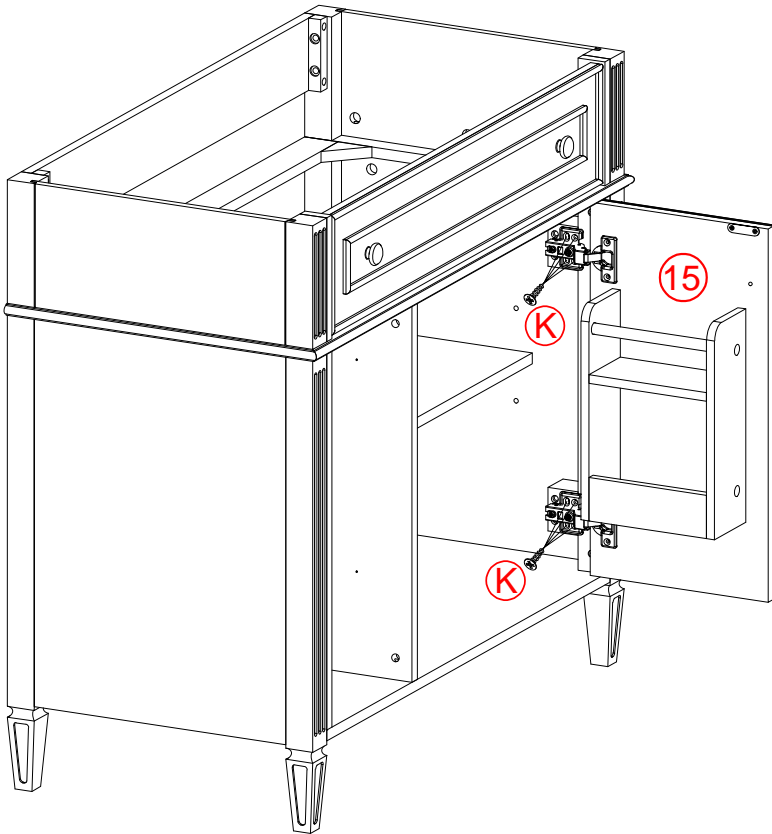
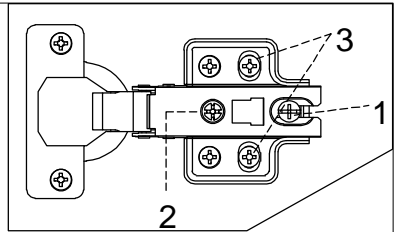
STEP 27



①	Ø 15		8PCS
---	------	--	------

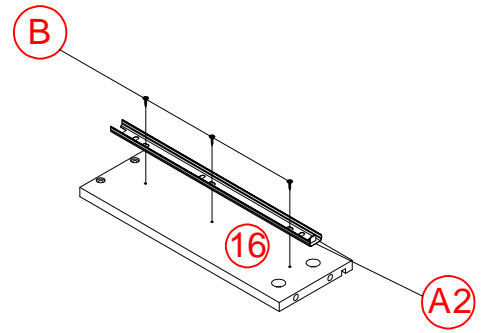
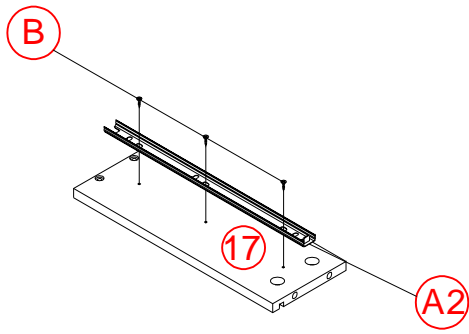
STEP 28


Three-way adjustable hinge for perfectly aligned doors
 1. TO ADJUST DOOR FORWARD OR BACKWARD.
 2. TO ADJUST DOOR TO RIGHT OR TO LEFT.
 3. TO ADJUST DOOR UP OR DOWN.



Ⓚ	3.5*15MM		16PCS
---	----------	---	-------

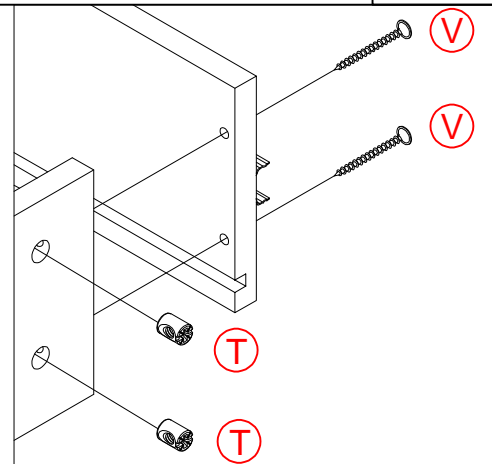
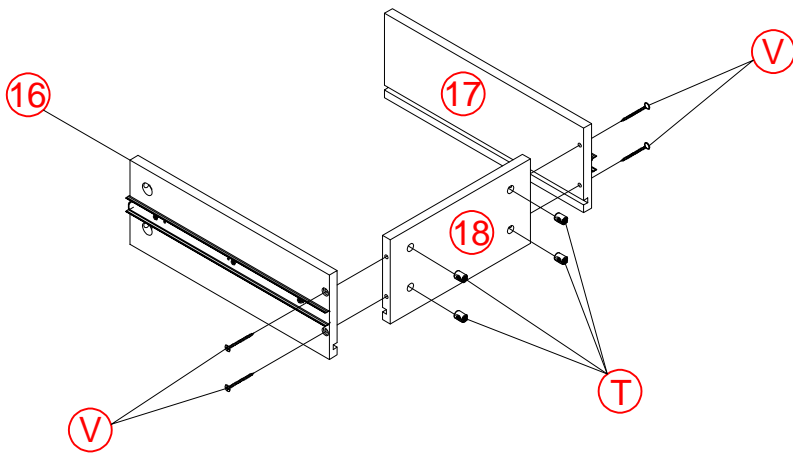
STEP 29



(A)	L45*300MM		2PCS
-----	-----------	---	------

(B)	3.5*10MM		6PCS
-----	----------	---	------

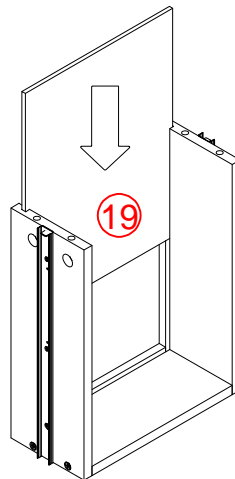
STEP 30



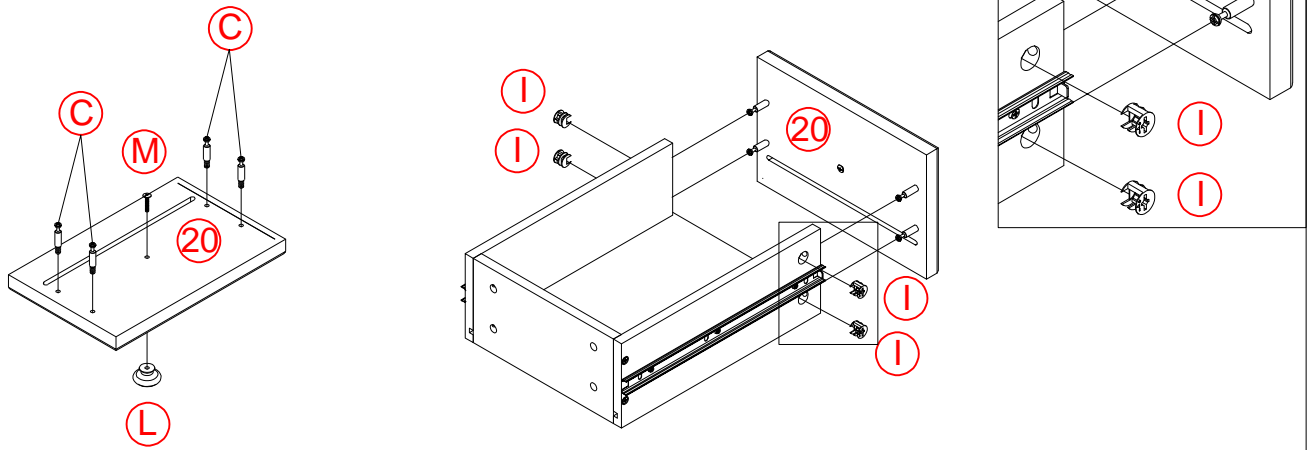
(V)	M4*50MM		4PCS
-----	---------	---	------


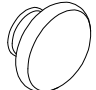
(T)	Ø 10*10MM		4PCS
-----	-----------	---	------



STEP 31



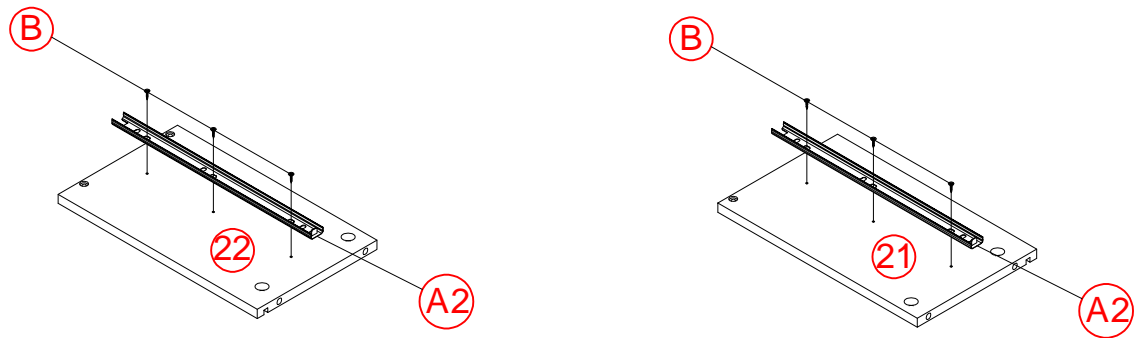
STEP 32




(C)	Ø5*35MM		4PCS
(L)	Ø30MM		1PC

(I)	Ø 15		4PCS
(M)	M4*20MM		1PC

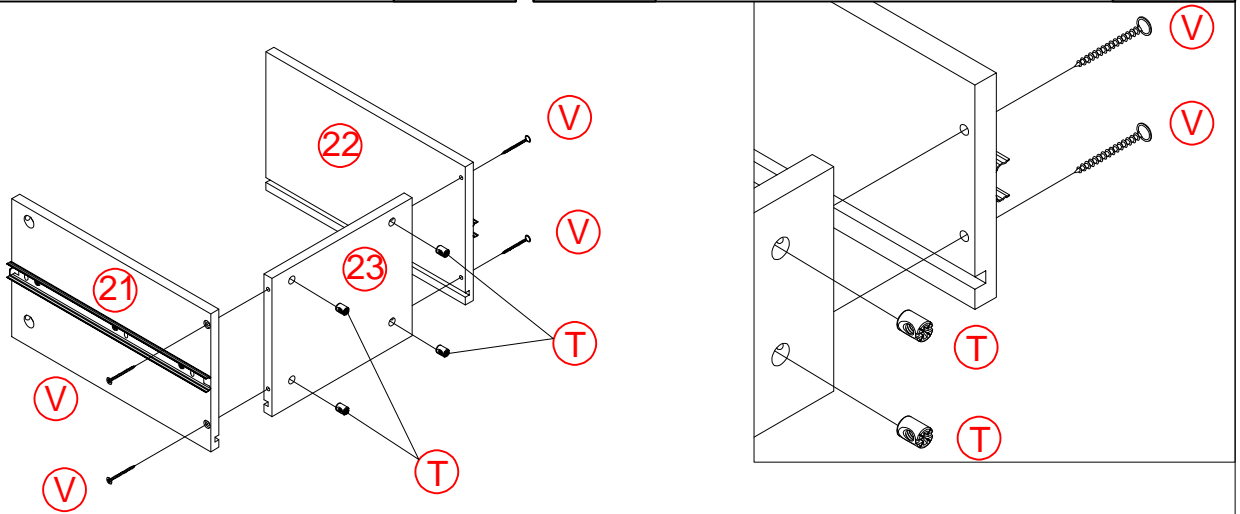
STEP 33



(A)	L45*300MM		2PCS
-----	-----------	---	------

(B)	3.5*10MM		6PCS
-----	----------	---	------

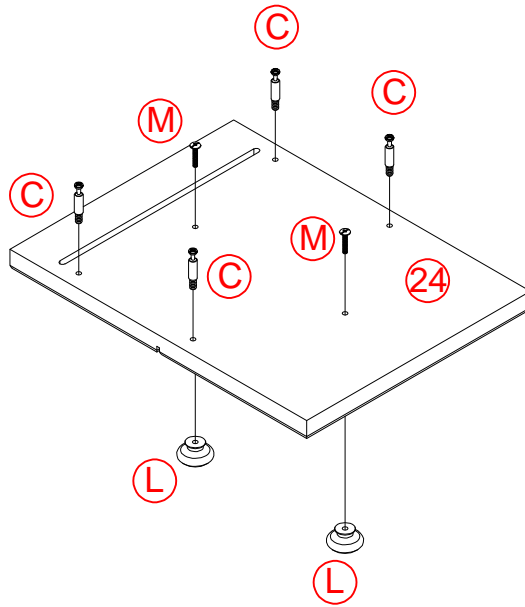
STEP 34




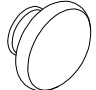




(V)	M4*50MM		4PCS
-----	---------	---	------

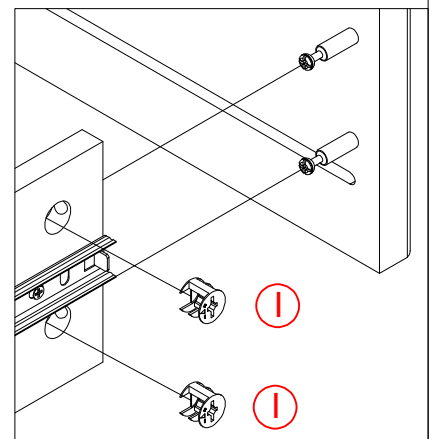
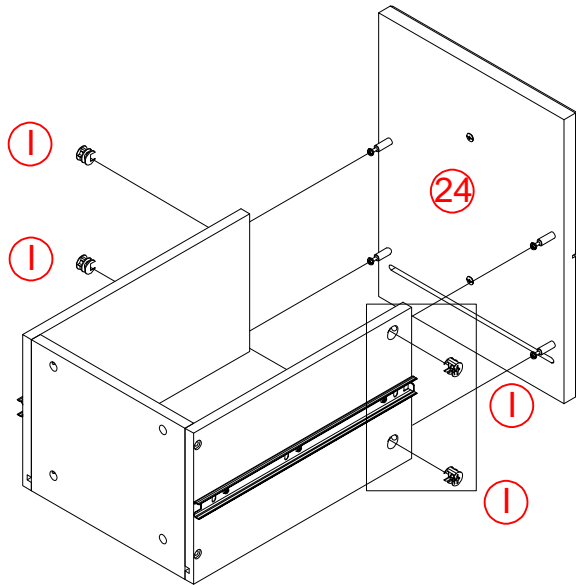
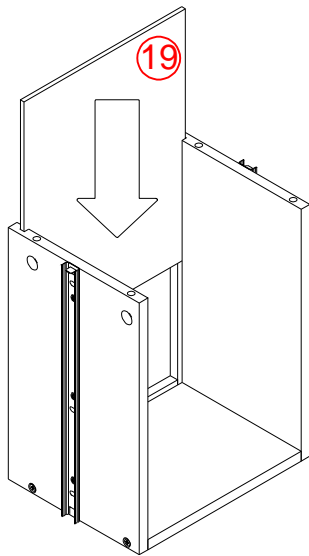
(T)	Ø 10*10MM		4PCS
-----	-----------	---	------


STEP 35



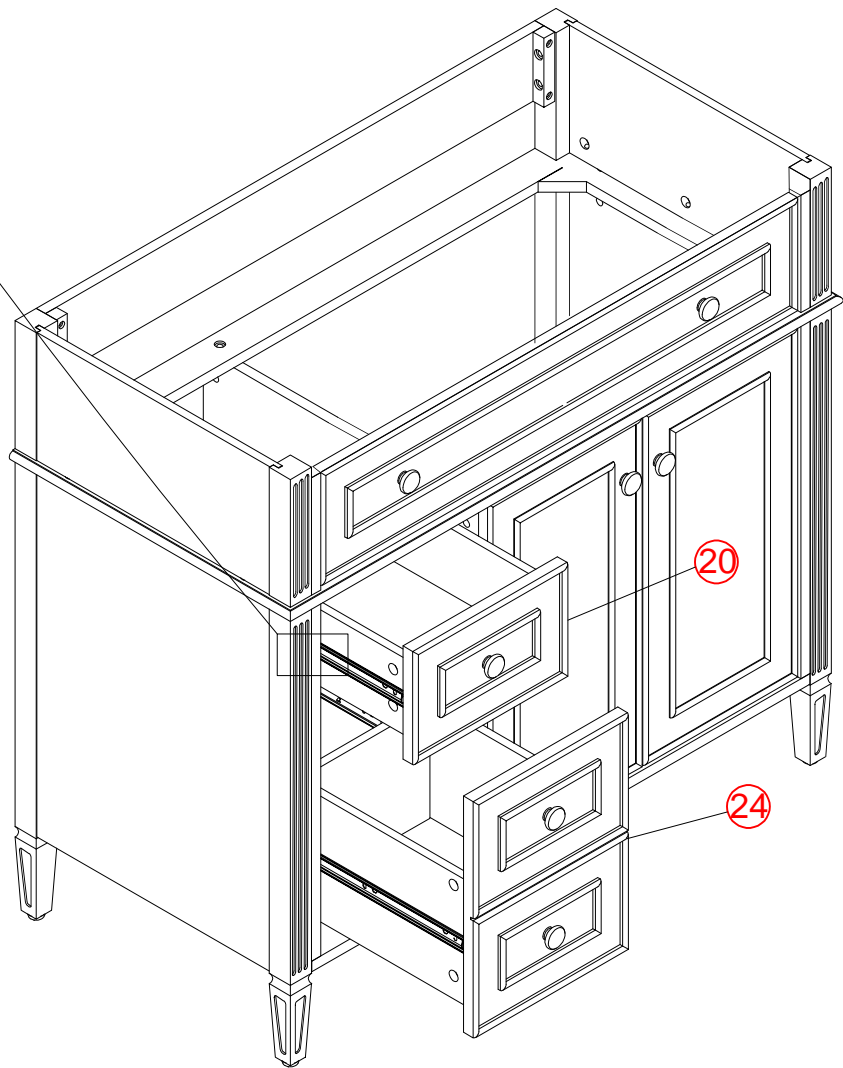
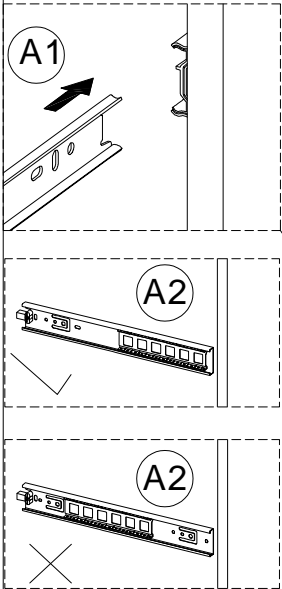
	Ø5*35MM		4PCS
	Ø30MM		2PCS
	M4*20MM		2PCS

STEP 36



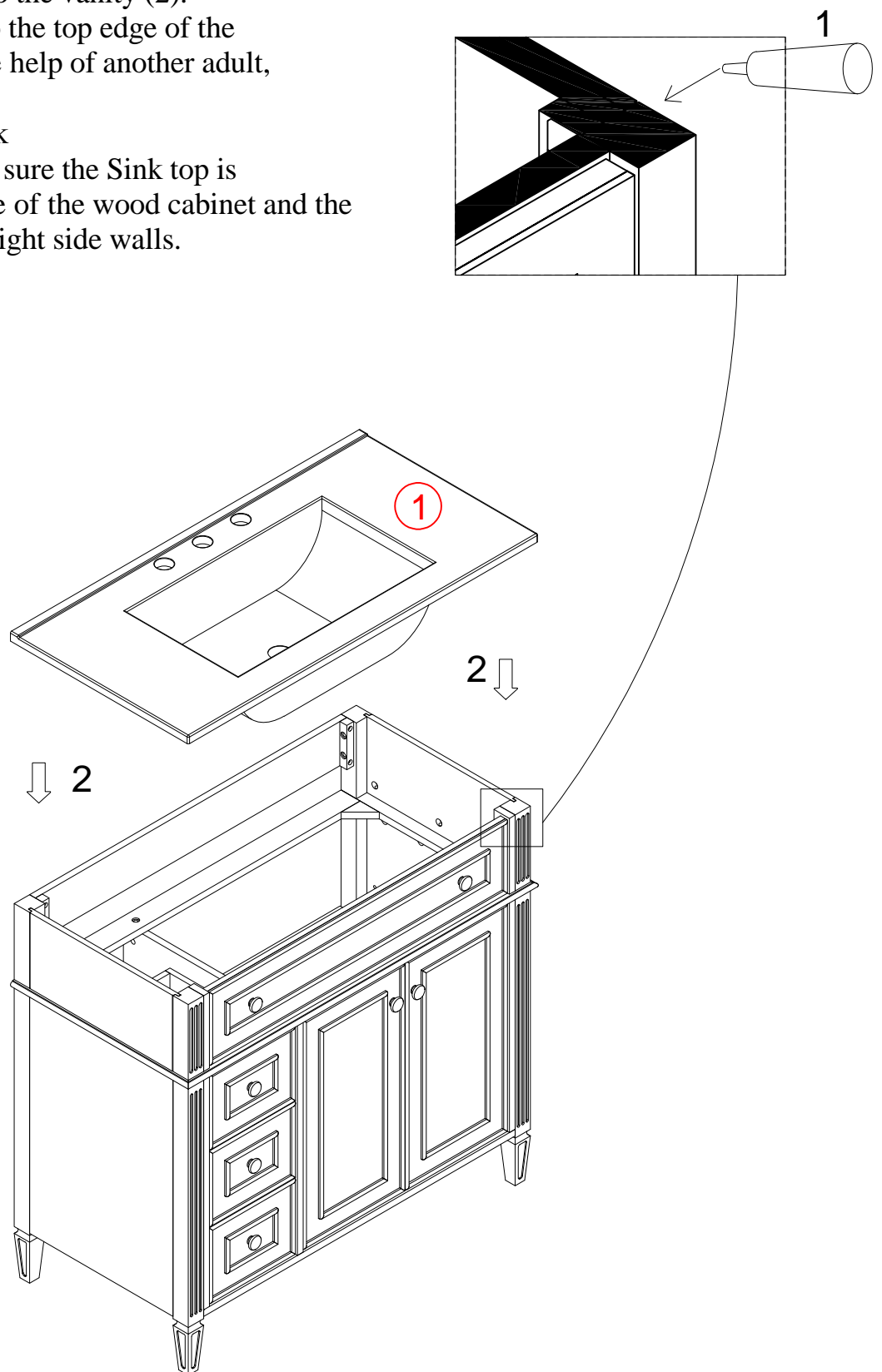
	Ø 15		4PCS
---	------	---	------

STEP 37

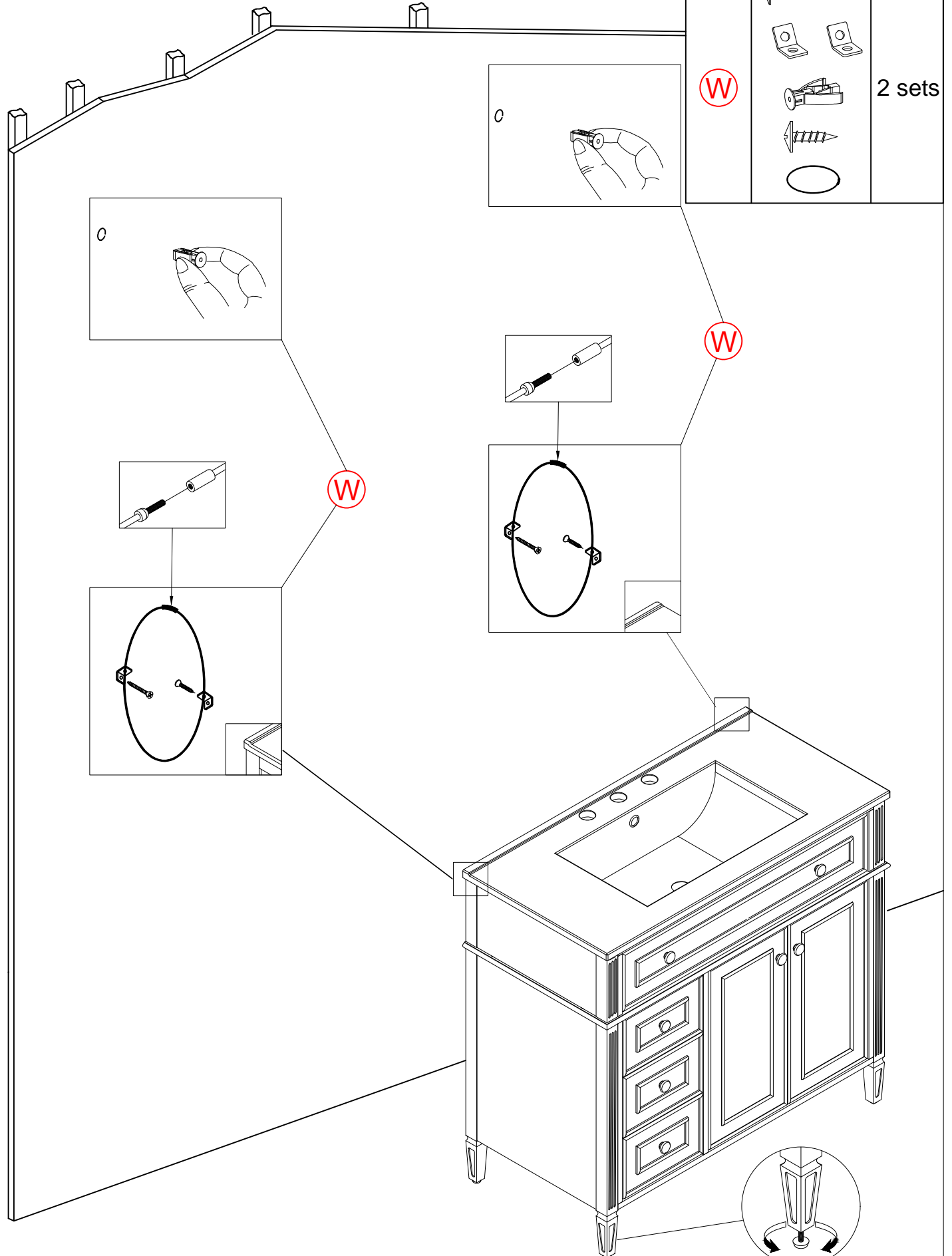


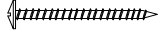

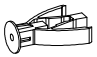
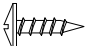

STEP 38

To install the Top (1) to the vanity (2).
Apply silicone caulk to the top edge of the wood cabinet. With the help of another adult, gently lower the Sink top with assembled sink onto the cabinet. Make sure the Sink top is flush with the back side of the wood cabinet and the wood cabinet left and right side walls.



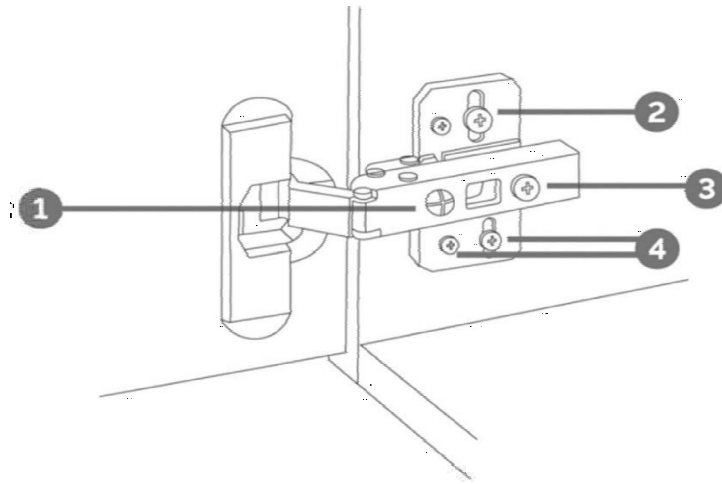
STEP 39



- 
 - 
 - 
 - 
 - 
- 2 sets

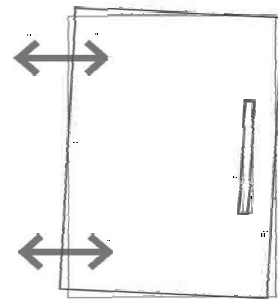
Rotate counterclockwise to increase the length of Floor Leveler, and raise that corner. Rotate clockwise to lower that corner.

HINGE ADJUSTMENTS



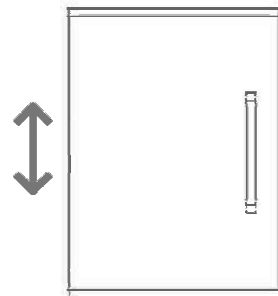
1 Sideways / Tilt adjustment

Turn the screw
clockwise to move the door further away from
the side of the cabinet
anticlockwise to move the door closer to the
side of the cabinet



2 4 Height adjustment

While supporting the weight of the door, turn the
screws
clockwise to move the door up
anticlockwise to move the door down



3 Forward and back adjustment

If the gap between the back of the door and the
cabinet is too small, and the door may not close
fully. Turn the screw
clockwise to decrease the gap between the
door and the cabinet
anticlockwise to increase the gap between the
door and the cabinet

