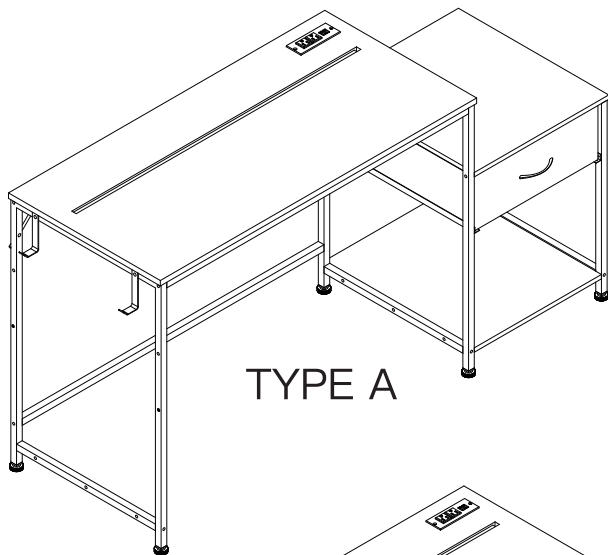
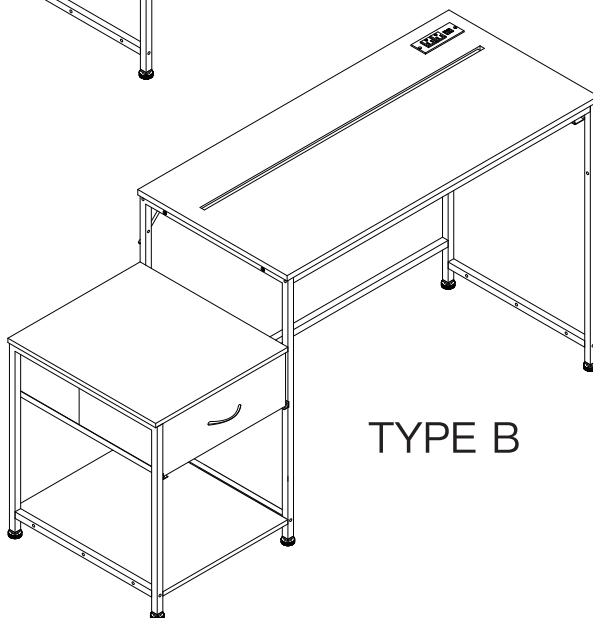


ASSEMBLY INSTRUCTION

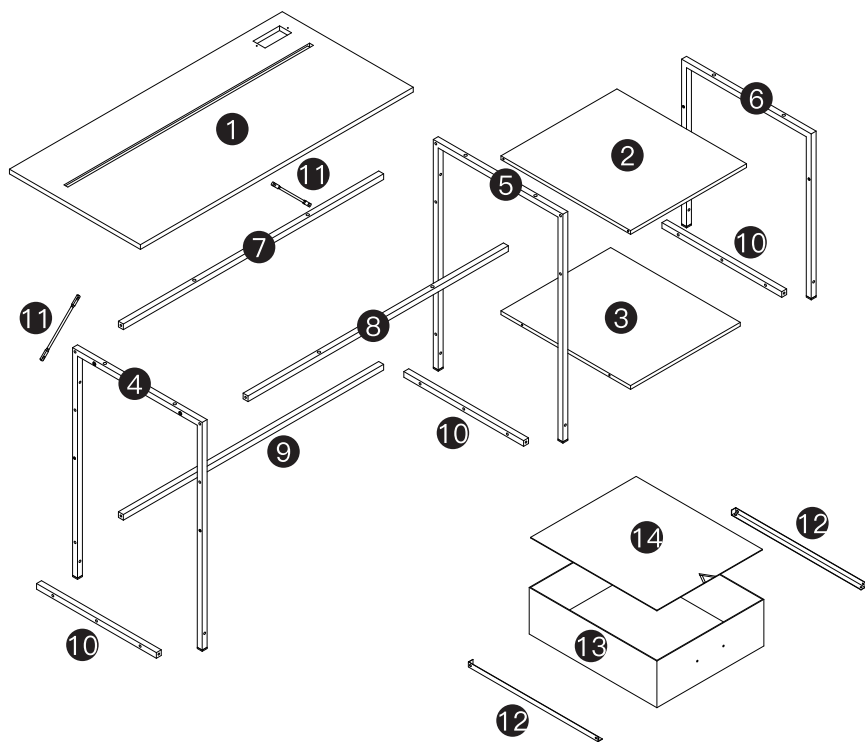


TYPE A



TYPE B

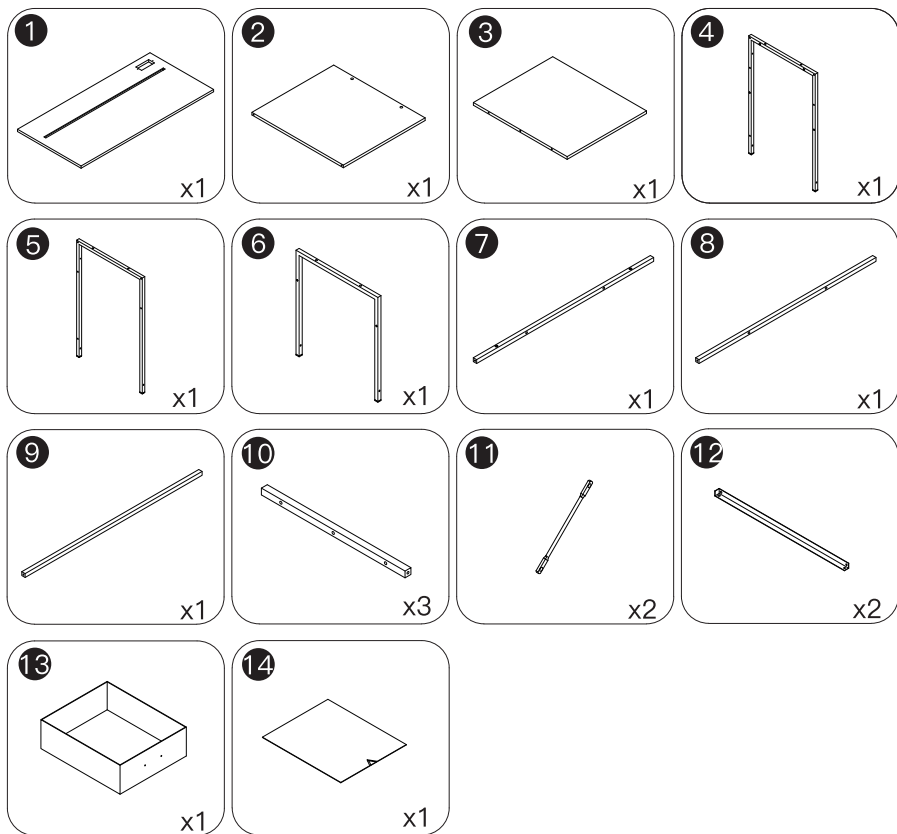
EXPLODED DRAWING:

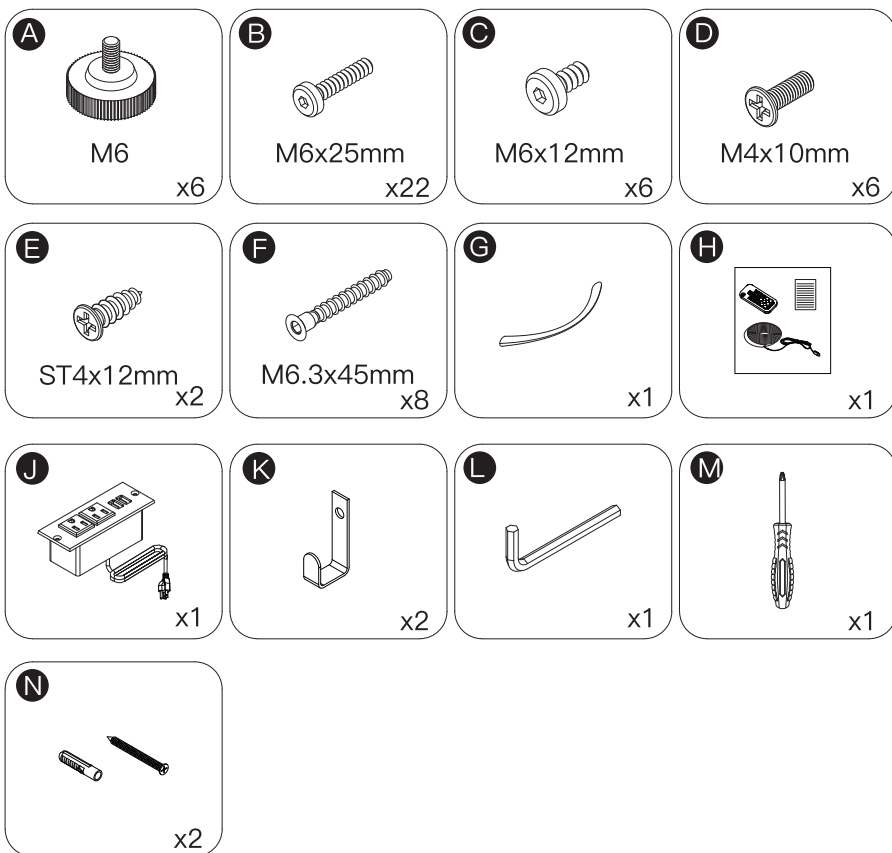


Please check all parts and accessories according to the parts list before assembling, make sure all contents are sufficient and in good condition.

If there is any parts missing or defective, please contact us immediately with purchase platform message to get replacement parts.

PARTS:

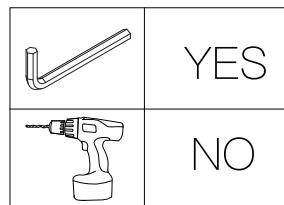




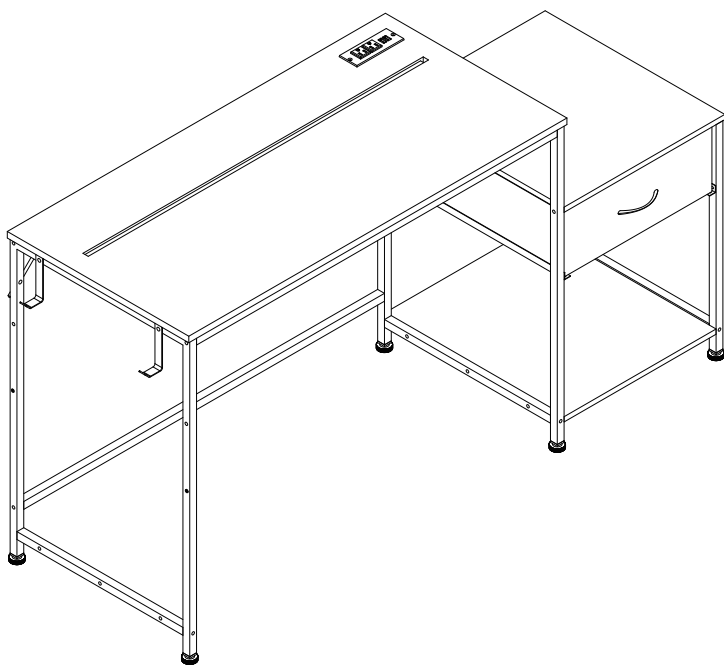
⚠ CAUTION:

READ THE INSTRUCTION MANUAL BEFORE ASSEMBLING

- READ THE INSTRUCTION MANUAL BEFORE ASSEMBLING
- IDENTIFY, SORT AND COUNT ALL THE PARTS WITH TAGS
- ASSEMBLE IN AN AREA WITH PLENTY OF SPACE
- READ EACH STEP BEFORE BEGINNING CONSTRUCTION
- ASSEMBLE ACCORDING TO THE ILLUSTRATION IN CORRECT STEPS
- NEVER FORCE THE SCREWS OF FITTINGS
- KEEP THIS MANUAL FOR FUTURE REFERENCE
- TIGHTEN ALL THE SCREWS EVERY 6 MONTHS
- SHIFT OR DRAG THE DESK AFTER ASSEMBLY CAREFULLY
- POWER TOOLS SHOULD NOT BE USED TO ASSEMBLE THIS DESK

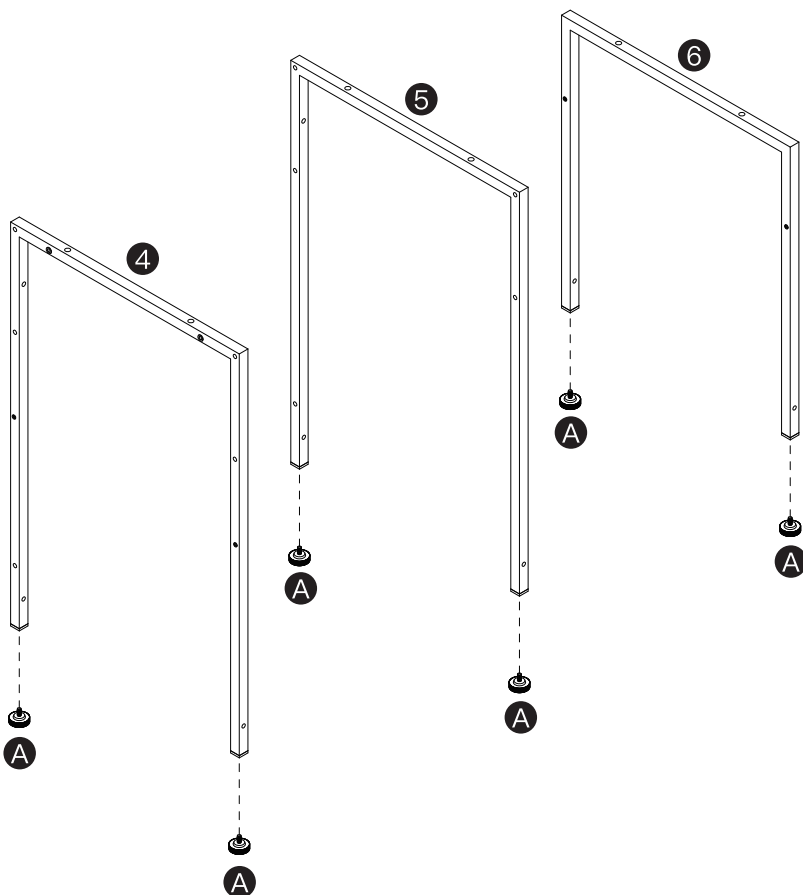
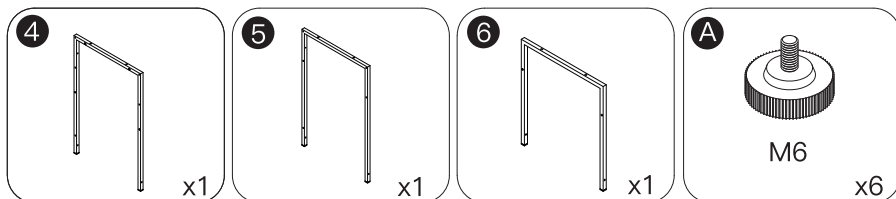


TYPE-A INSTALLATION

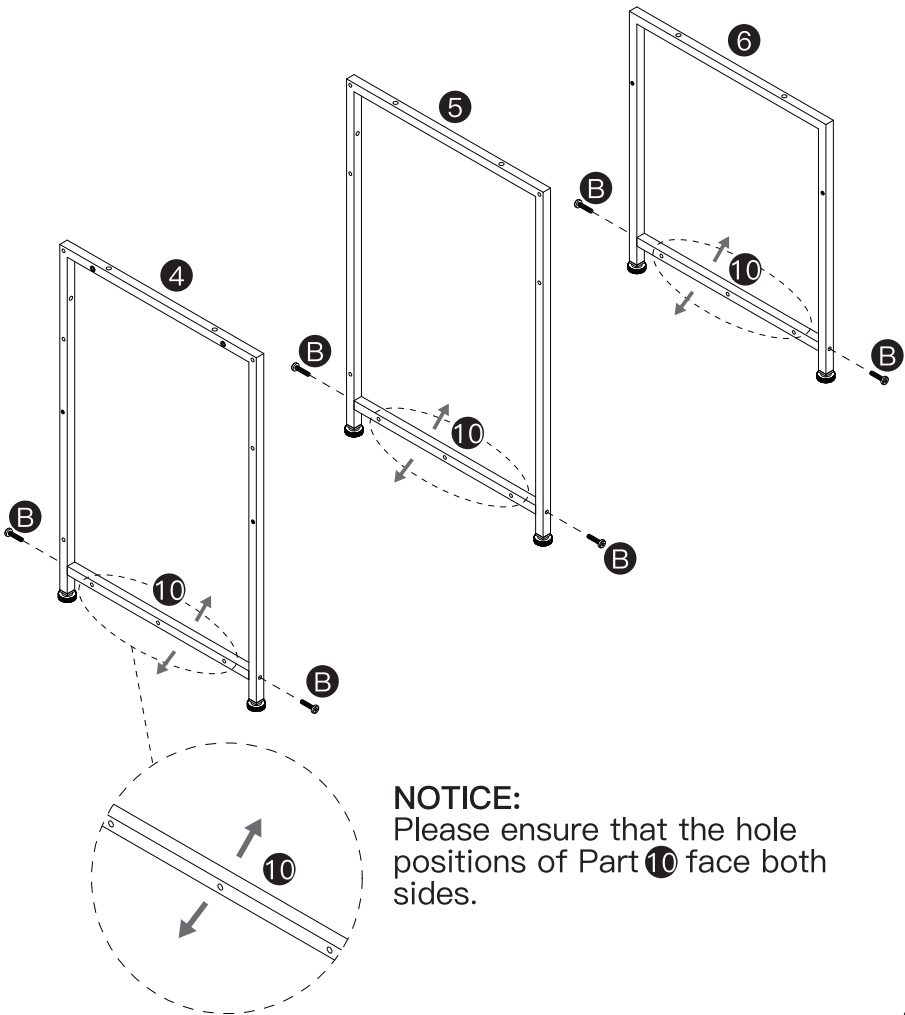
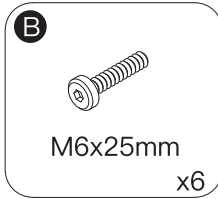
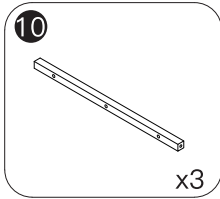


HOW TO INSTALL

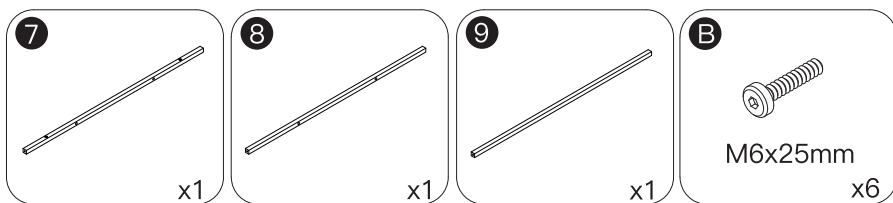
STEP 1



STEP 2



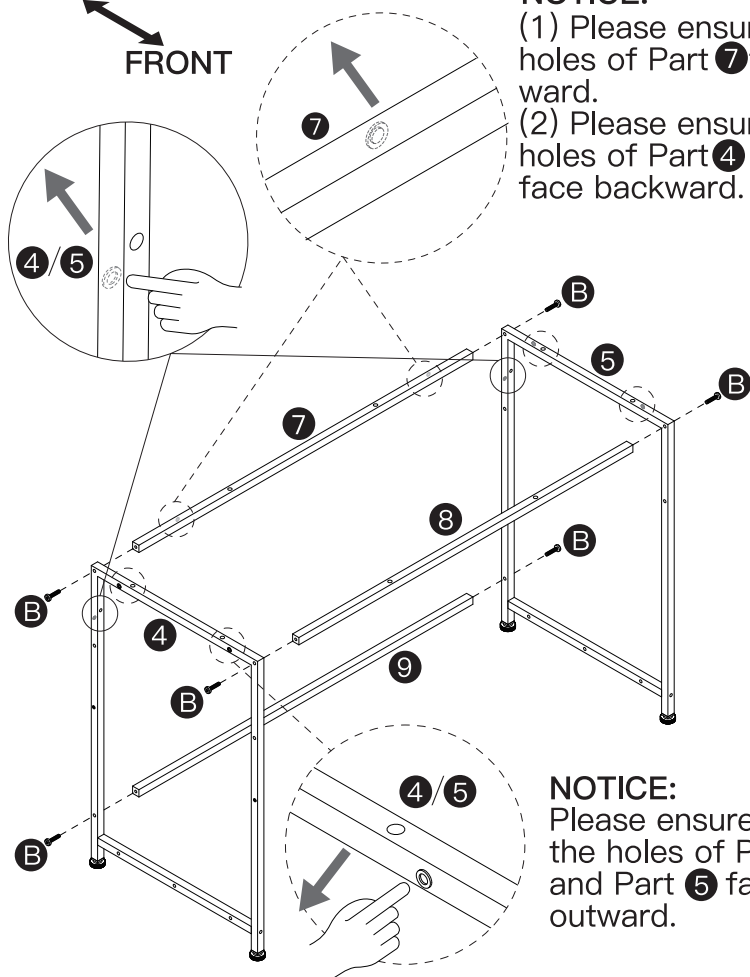
STEP 3



BACK
FRONT

NOTICE:

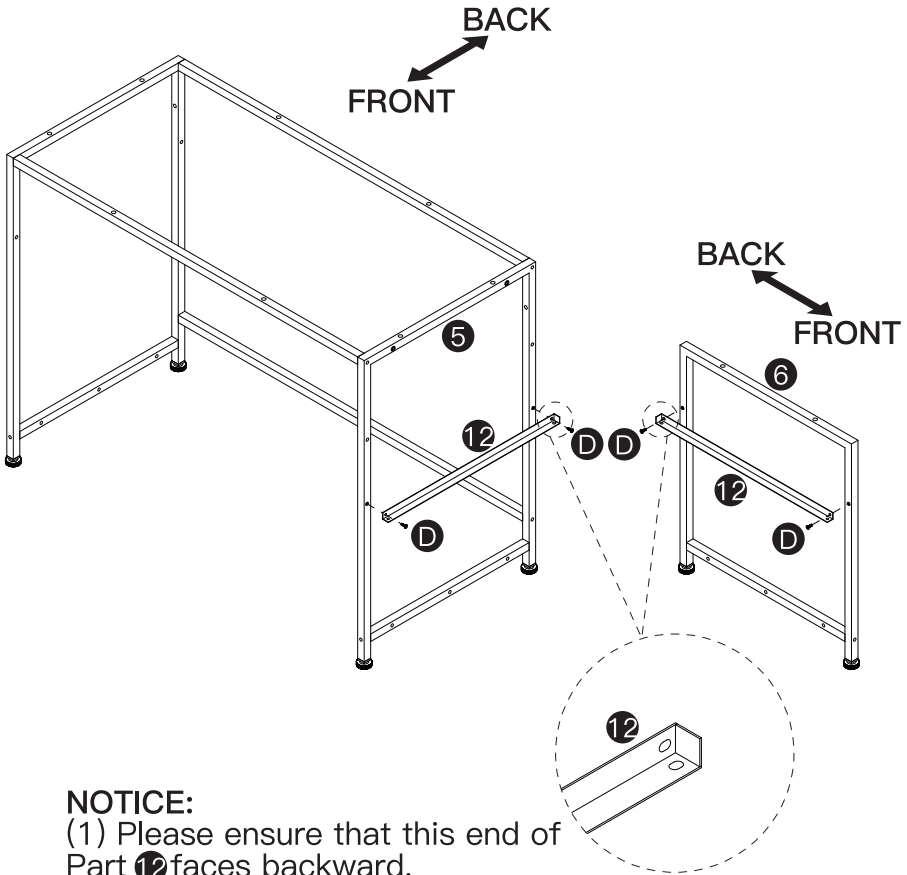
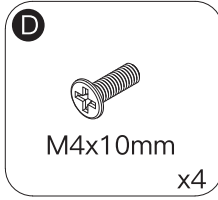
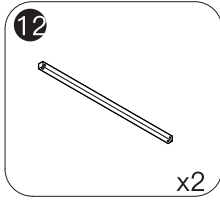
- (1) Please ensure that the holes of Part 7 face backward.
- (2) Please ensure that the holes of Part 4 and Part 5 face backward.



NOTICE:

- Please ensure that the holes of Part 4 and Part 5 face outward.

STEP 4

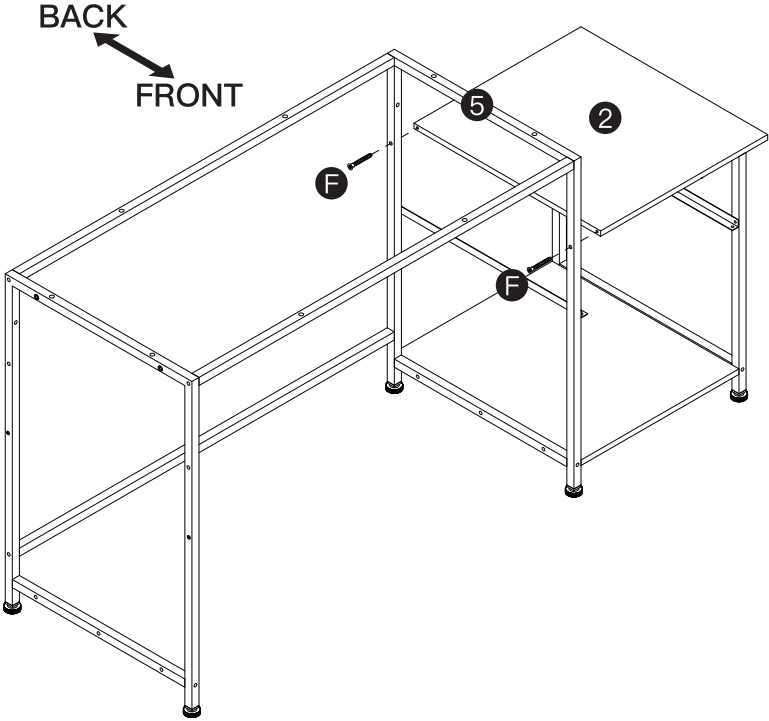
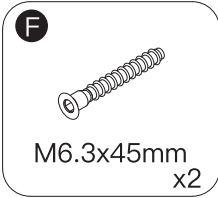
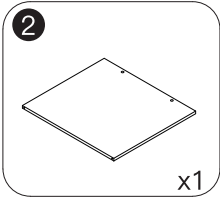


NOTICE:

(1) Please ensure that this end of Part 12 faces backward.

(2) Please ensure that Part 12 is installed in a consistent orientation.

STEP 6



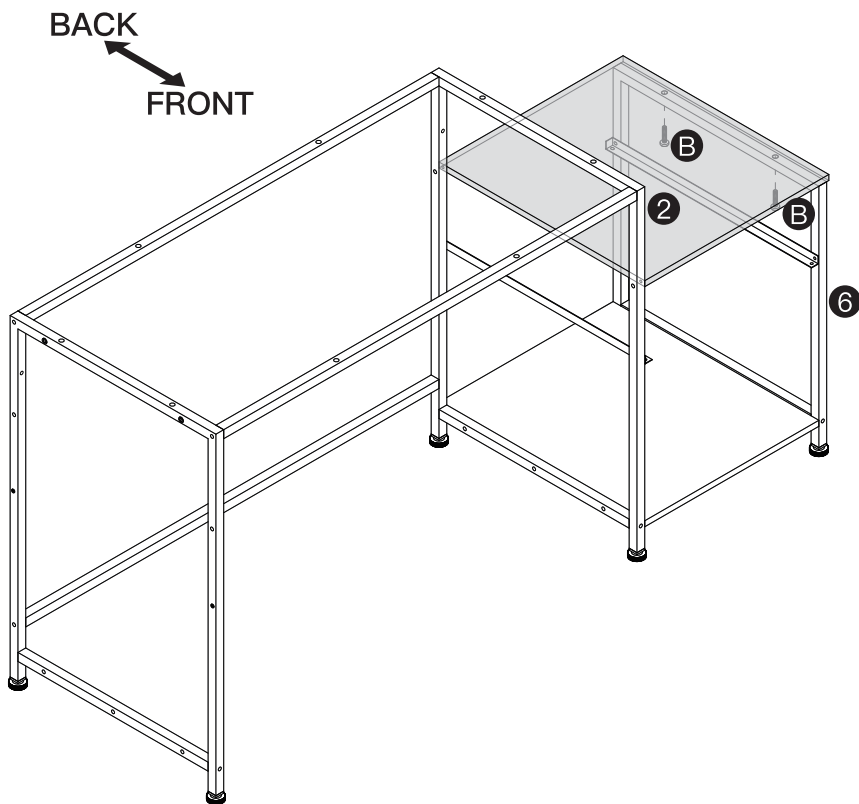
STEP 7

B

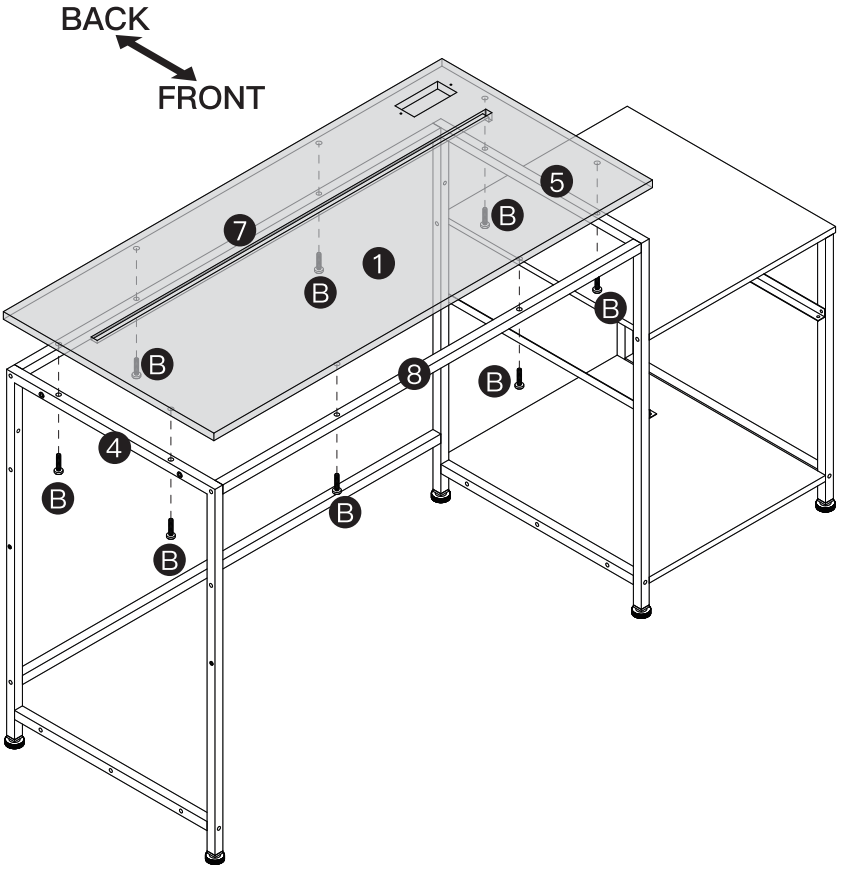
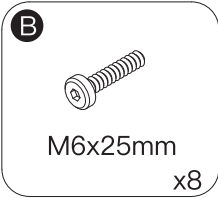
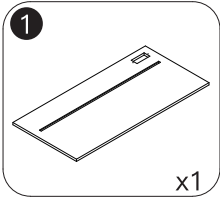


M6x25mm

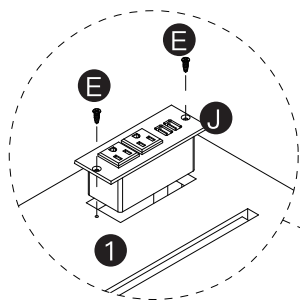
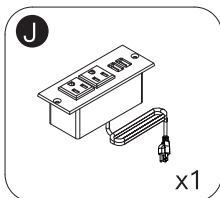
x2



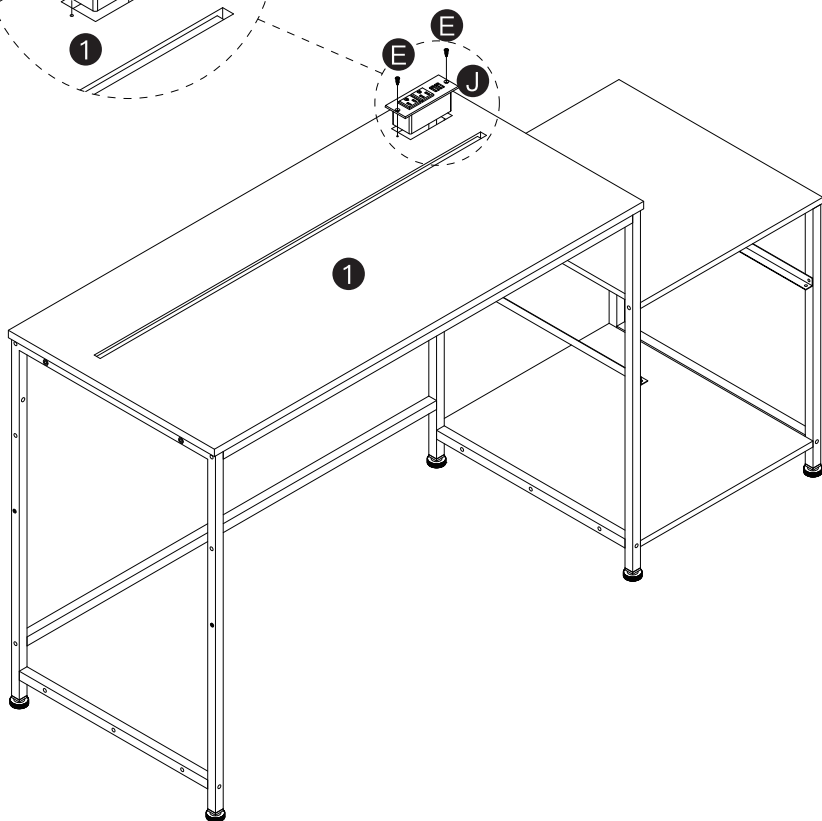
STEP 8



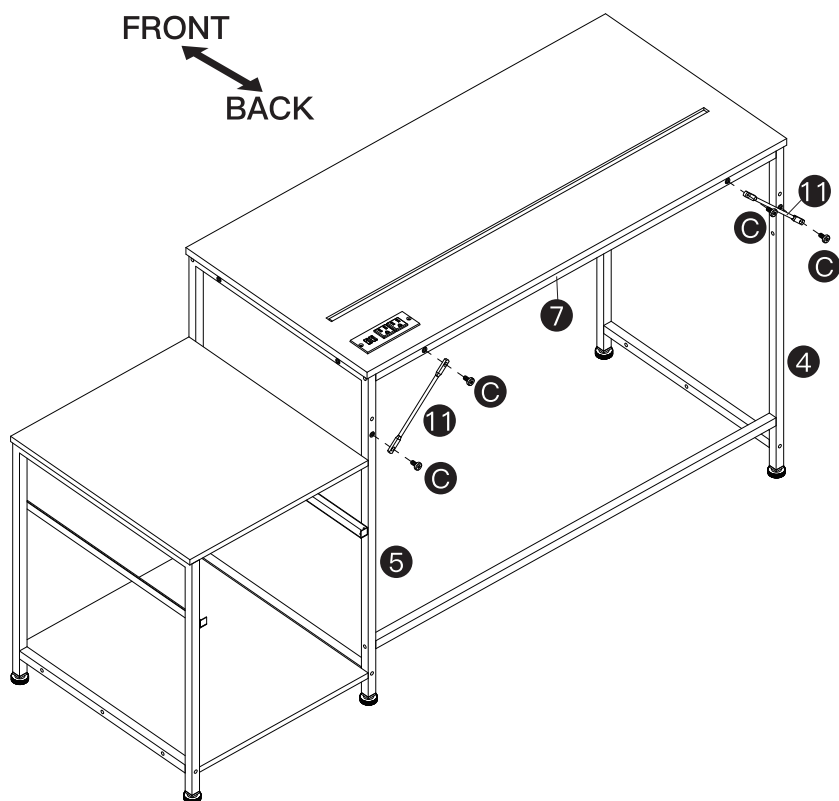
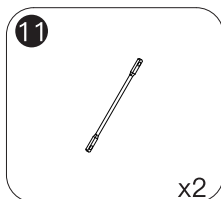
STEP 9



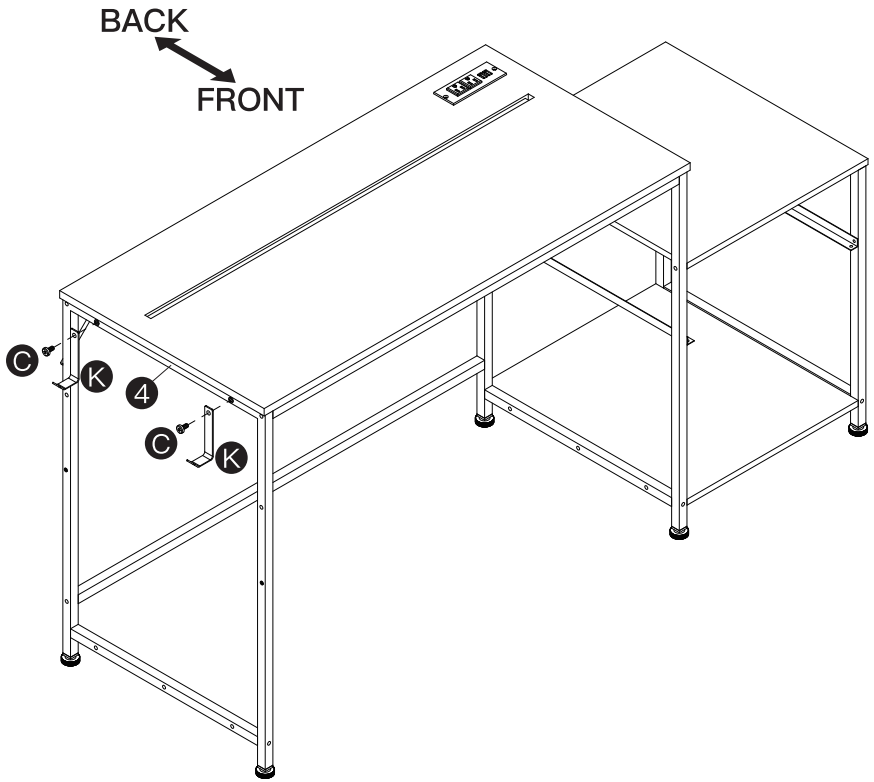
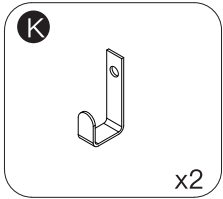
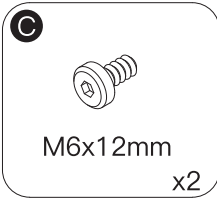
BACK
FRONT



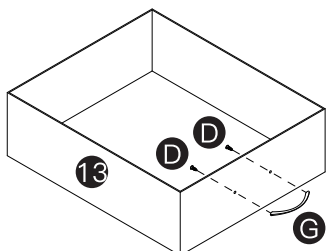
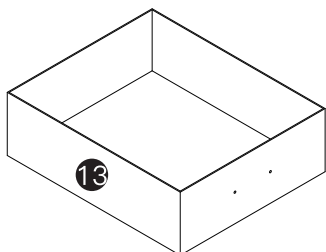
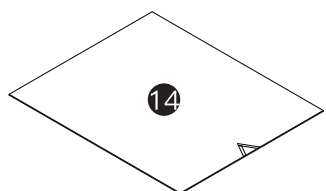
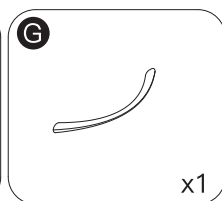
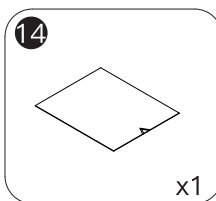
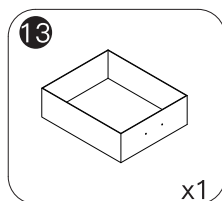
STEP 10



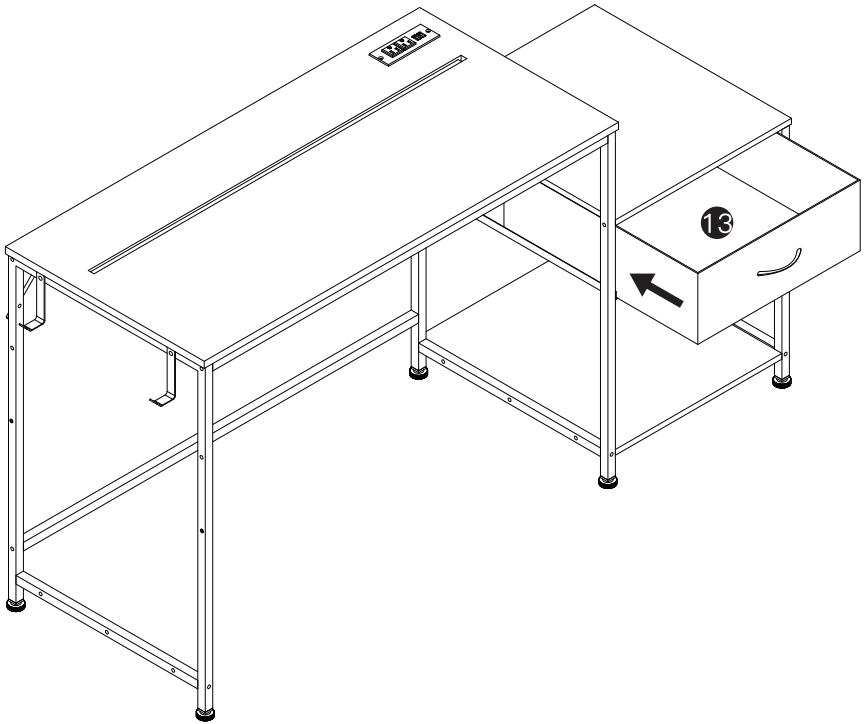
STEP 11



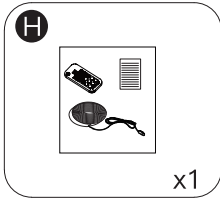
STEP 12



STEP 13

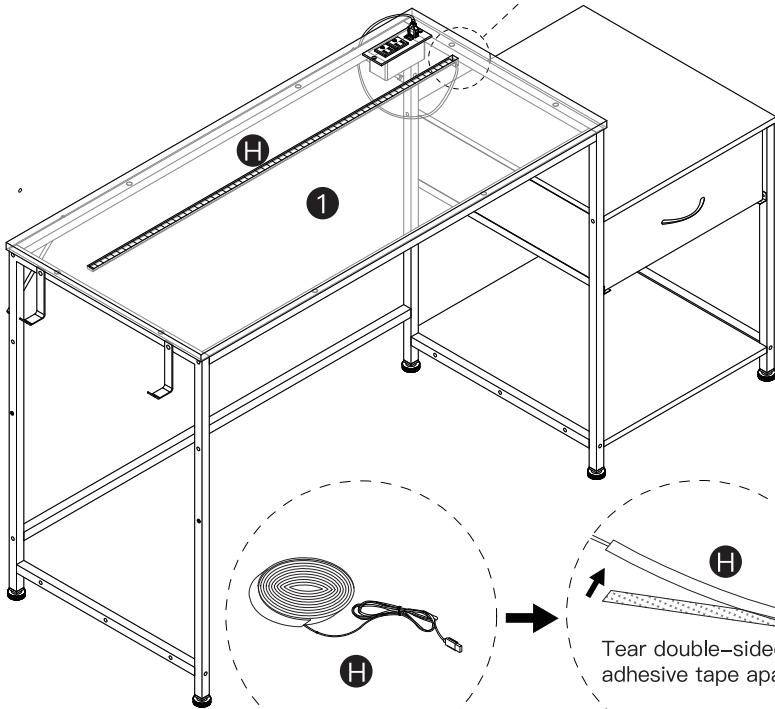
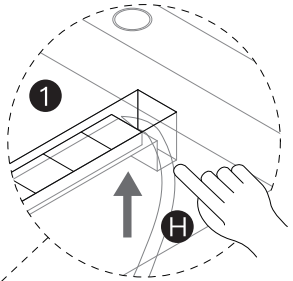


STEP 14

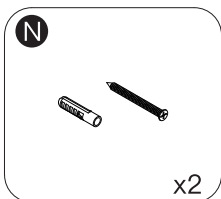


NOTICE:

- (1) Please make sure that Part **H** is threaded from bottom to top.
- (2) Please ensure that no water enters the groove to prevent damage.



STEP 15

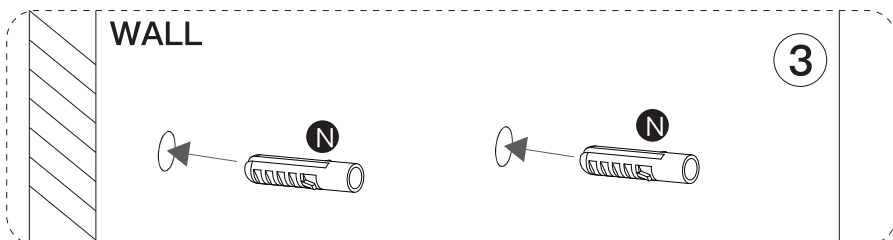
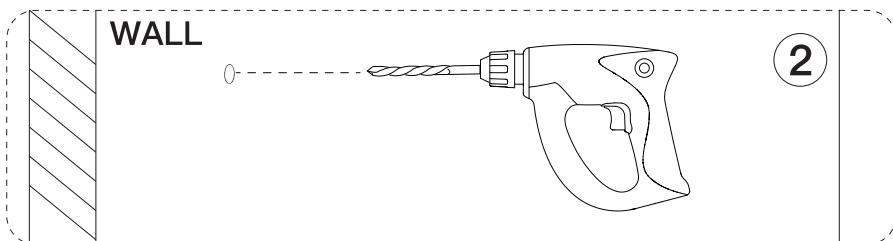
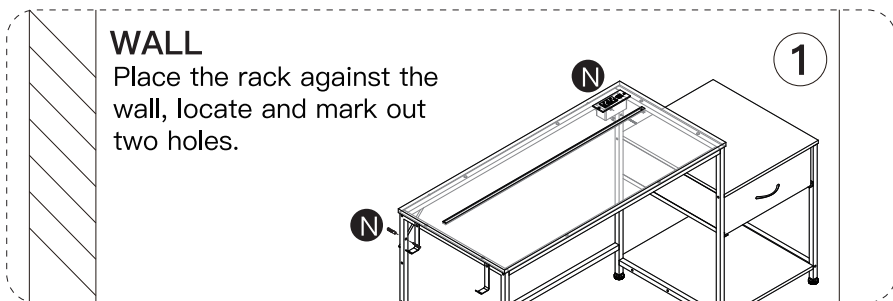


NOTICE

For the safety of you and your family, the **Anti-Tip Device Kit** must be installed.

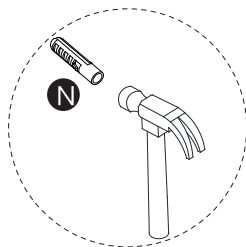
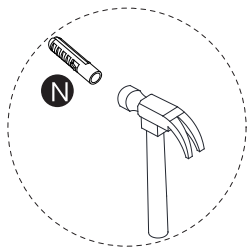
NOTICE:

Electric drill and hammer are not included in our parts, please prepare them by yourself.



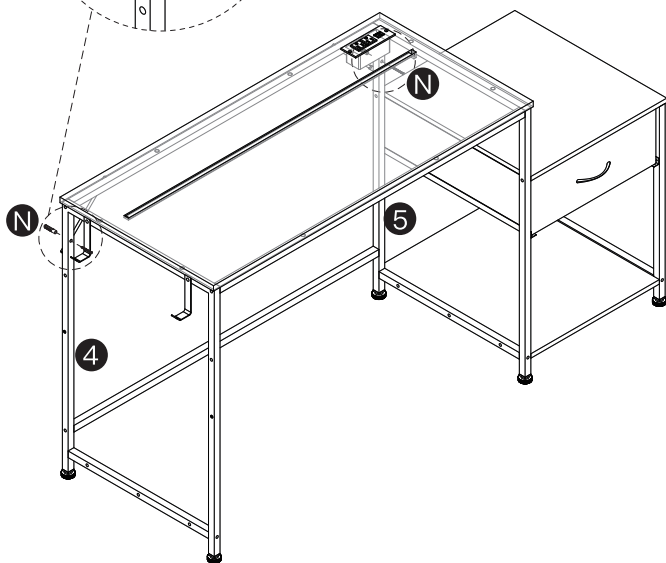
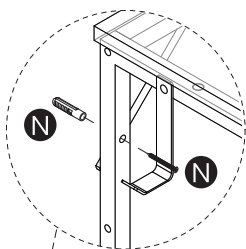
WALL

4



NOTICE:

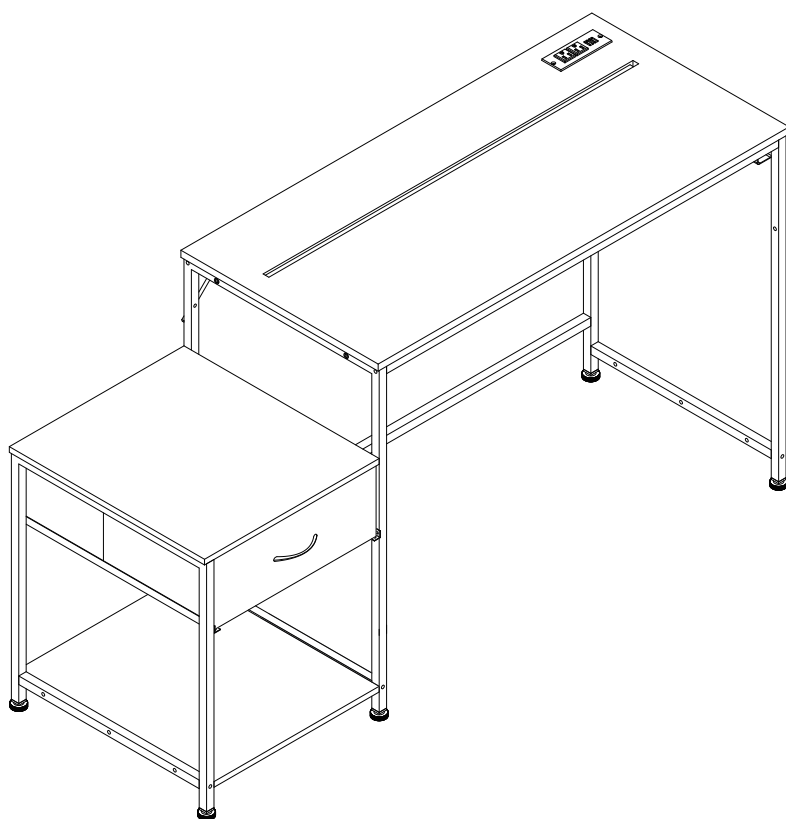
Please use a hammer to strike part **N** to make it more stable.



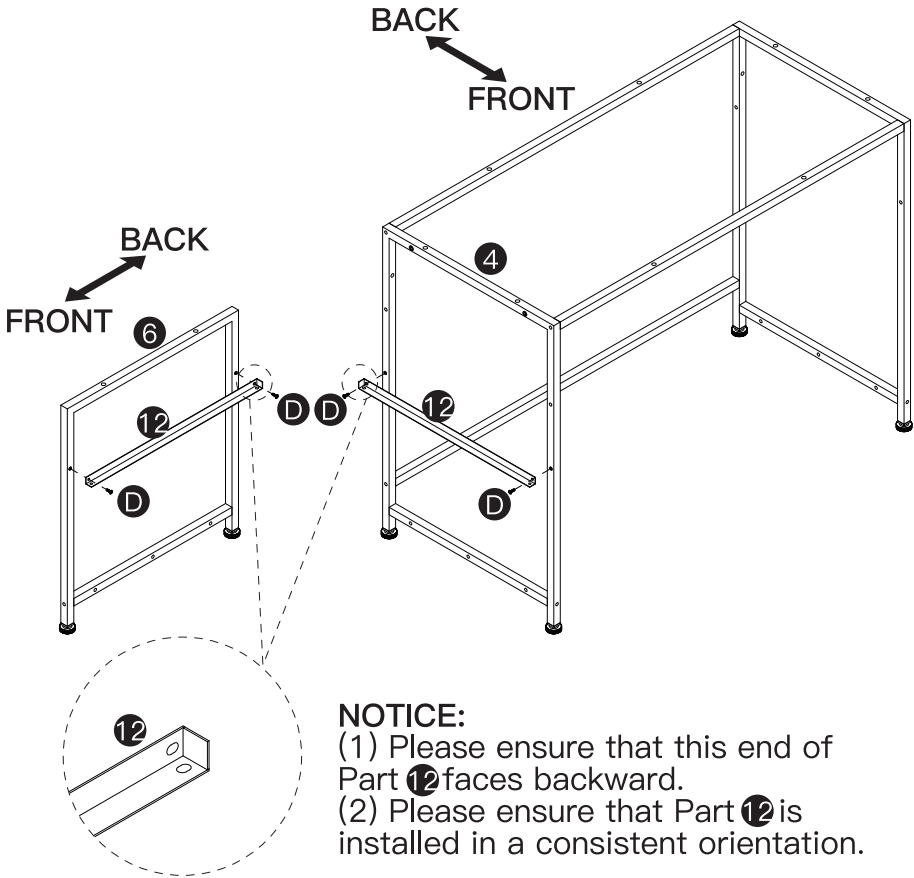
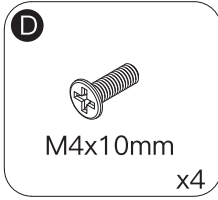
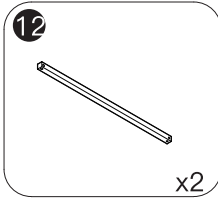
TYPE-B INSTALLATION

NOTICE:

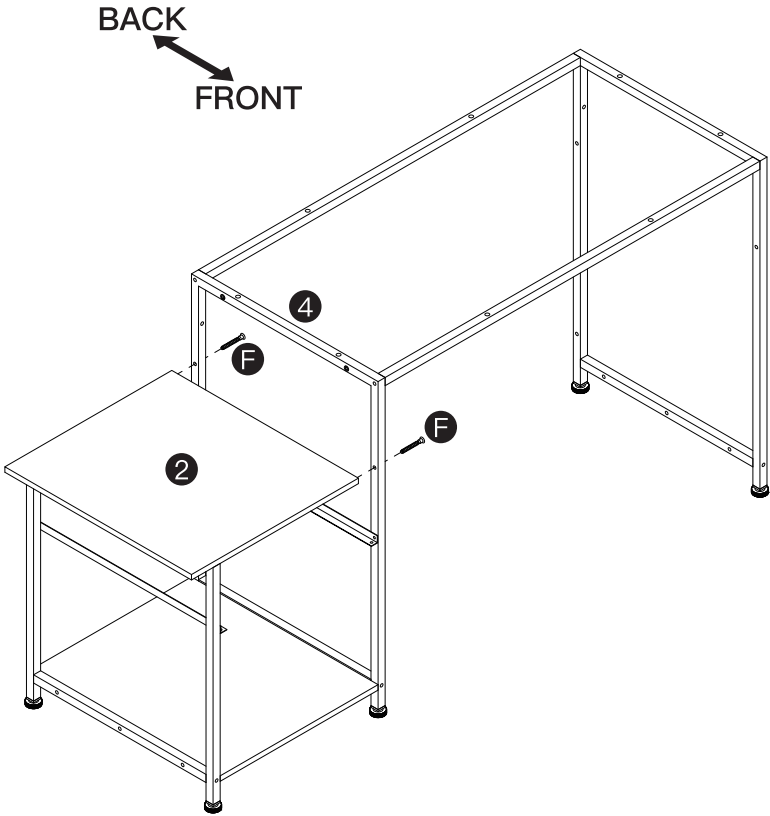
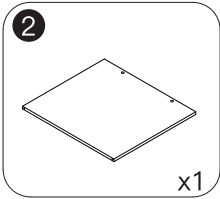
Steps 1 to 3 are universal, and the picture below shows TYPE-B installation.



STEP 4



STEP 6



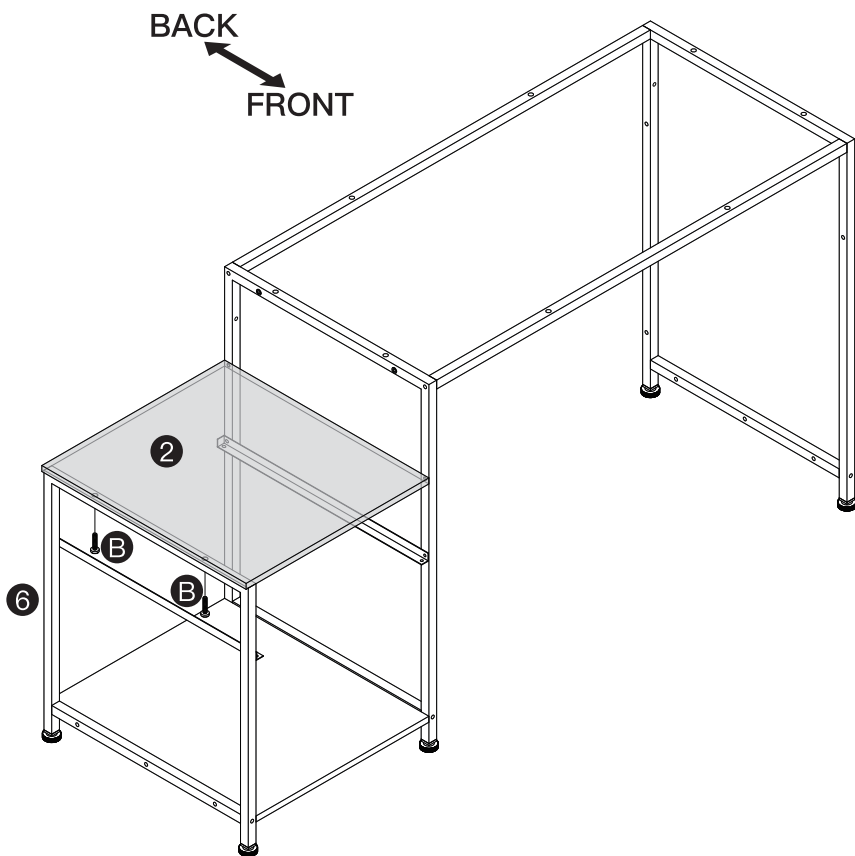
STEP 7

B

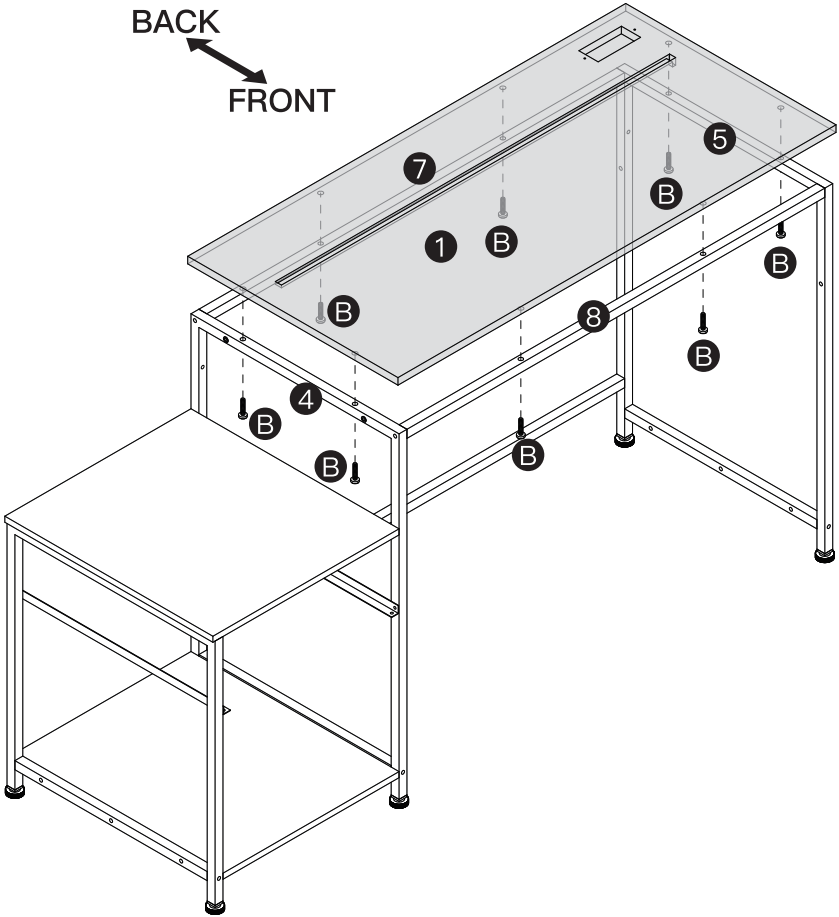
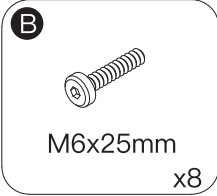
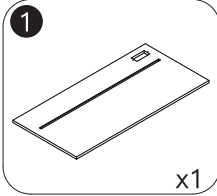


M6x25mm

x2



STEP 8



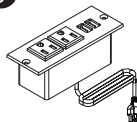
STEP 9

E

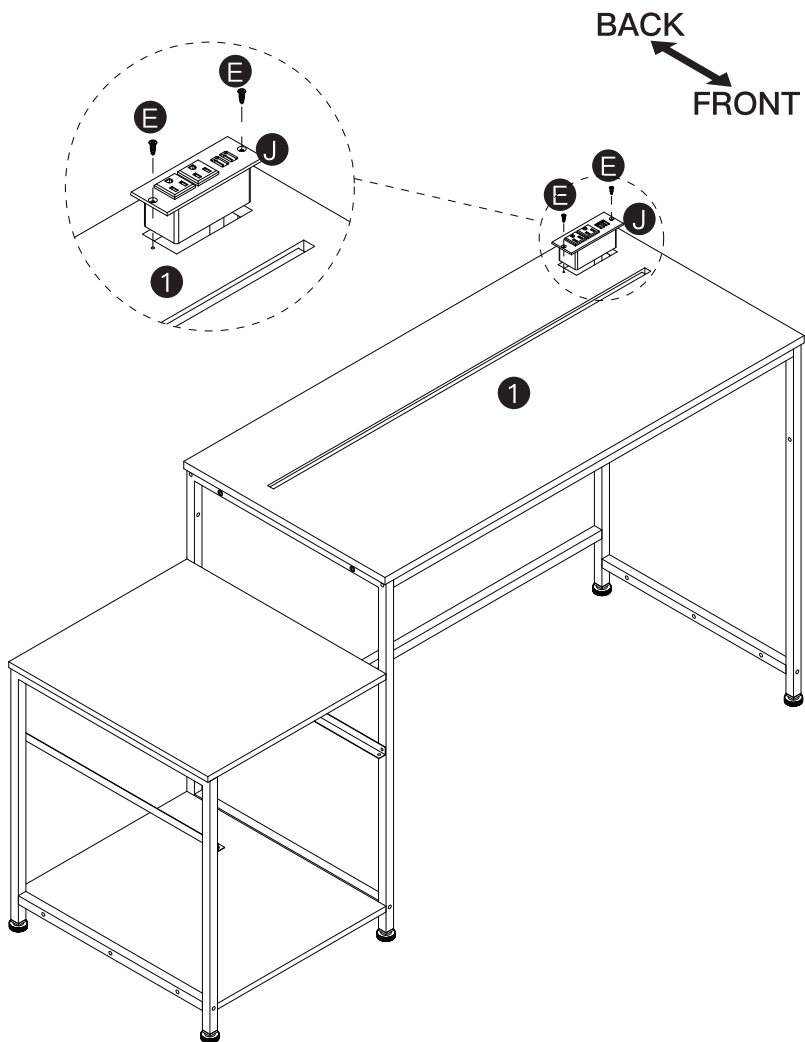


ST4x12mm
x2

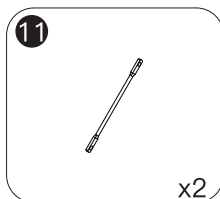
J



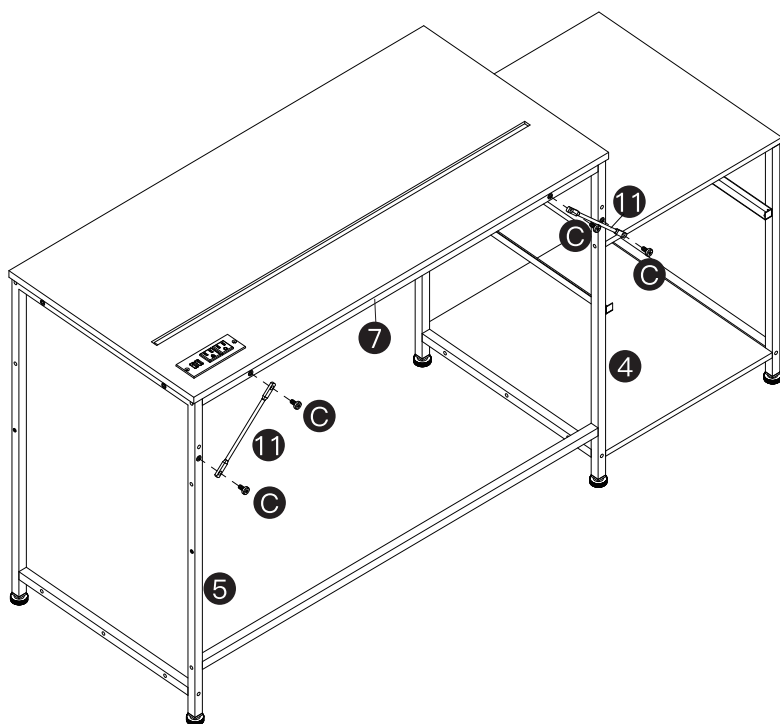
x1



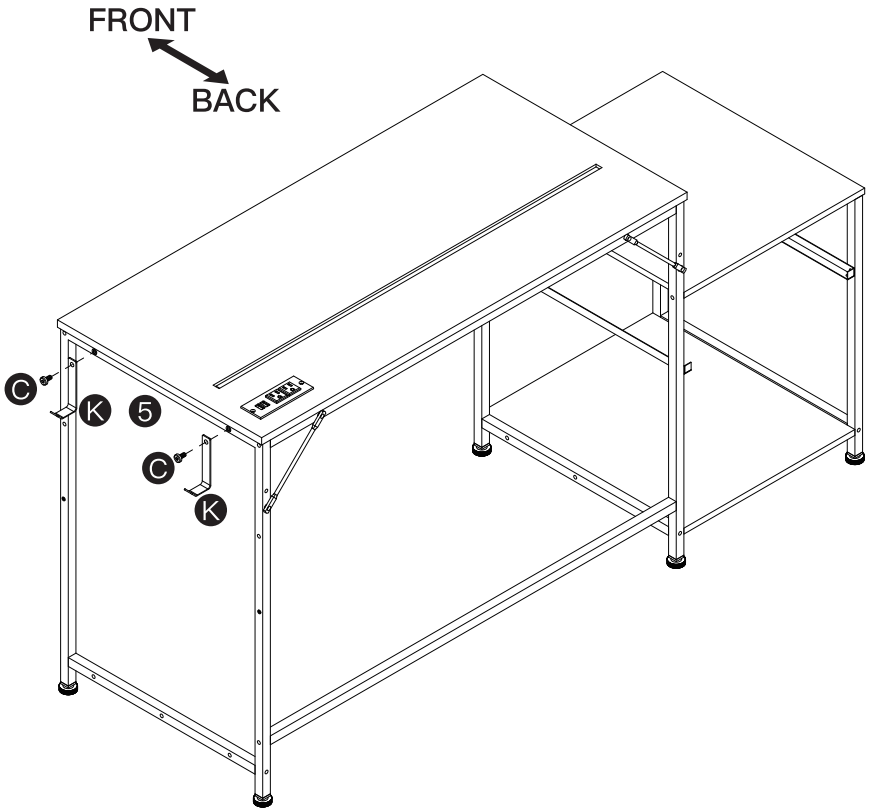
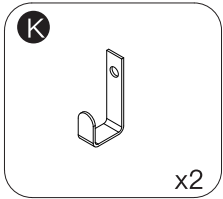
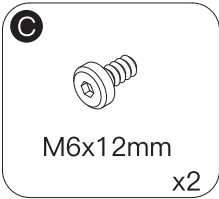
STEP 10



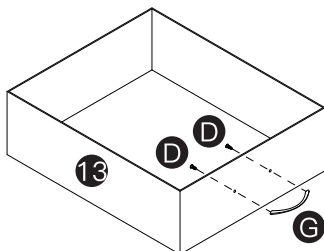
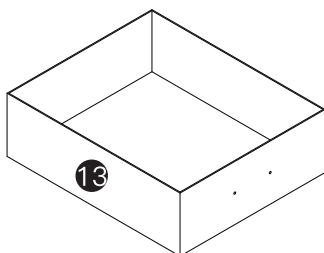
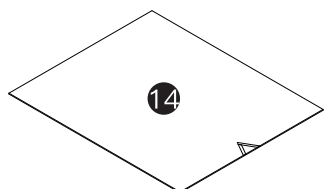
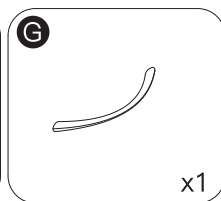
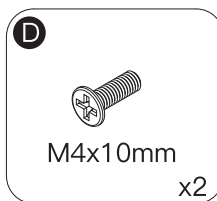
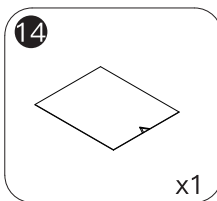
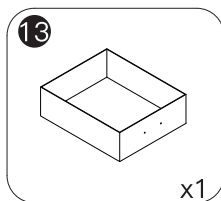
FRONT
↙ ↘
BACK



STEP 11

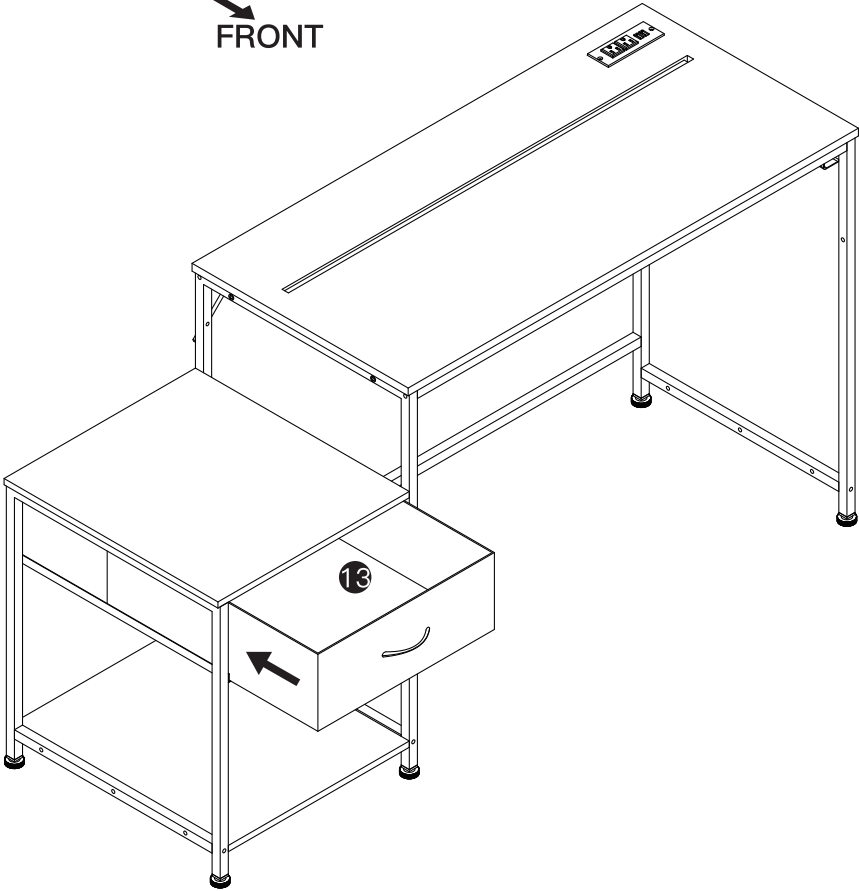


STEP 12

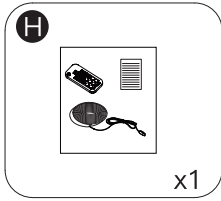


STEP 13

BACK
↙ ↘
FRONT

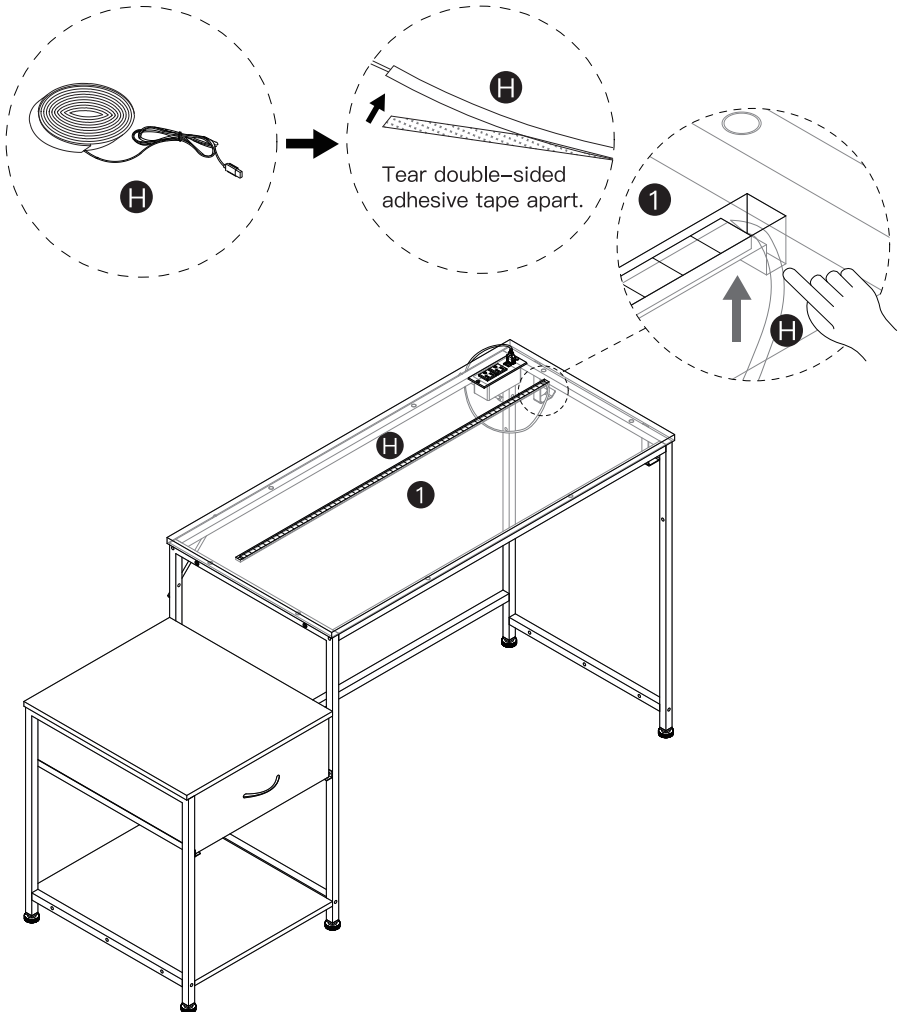


STEP 14

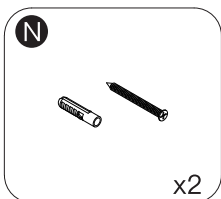


NOTICE:

- (1) Please make sure that Part H is threaded from bottom to top.
- (2) Please ensure that no water enters the groove to prevent damage.



STEP 15

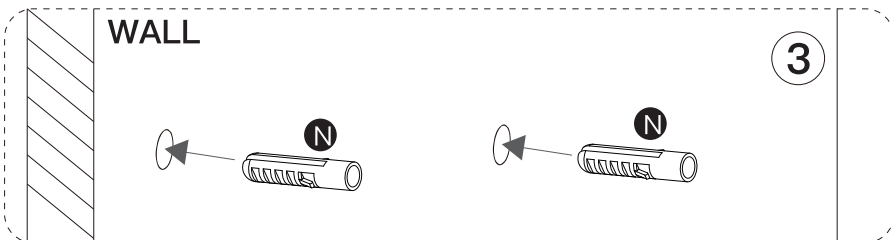
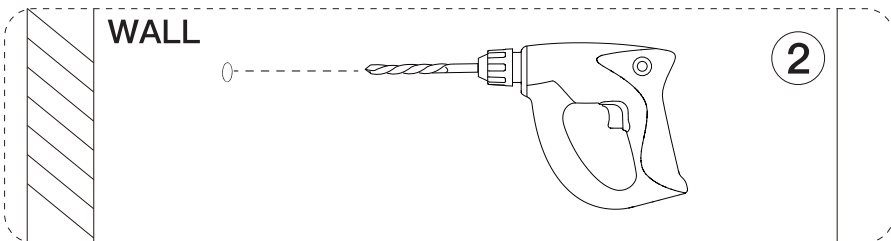
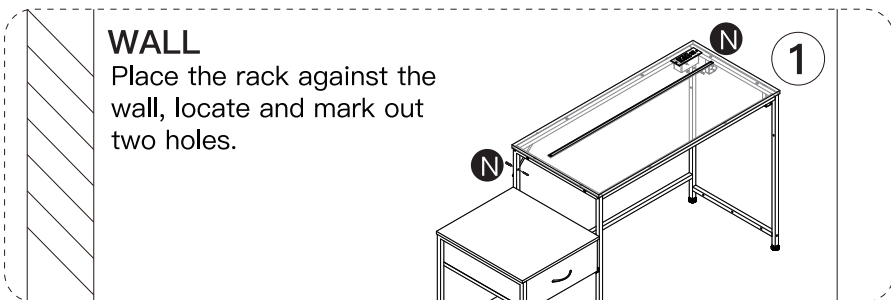


NOTICE

For the safety of you and your family, the **Anti-Tip Device Kit** must be installed.

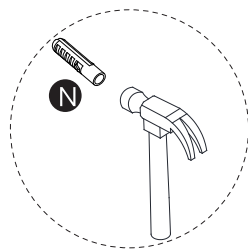
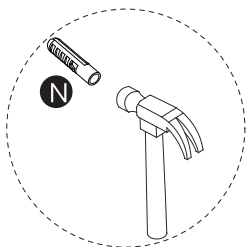
NOTICE:

Electric drill and hammer are not included in our parts, please prepare them by yourself.



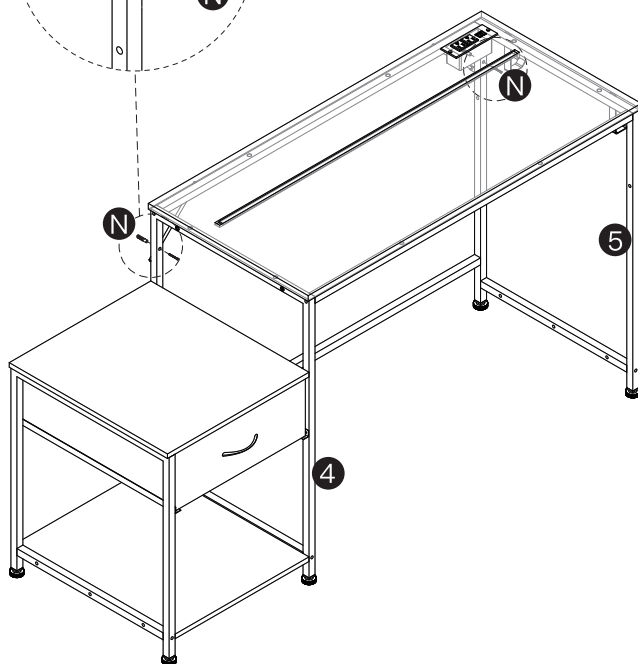
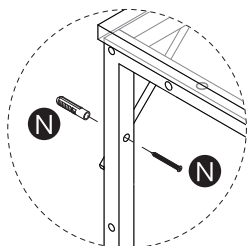
WALL

4



NOTICE:

Please use a hammer to strike part **N** to make it more stable.



AFTERSALE SERVICE

Dear customer,

We are pleased that you have chosen our product as part of your home. We care deeply about your experience and hope that you receive all the help you need.

We sincerely hope this product meets your expectations and hope that you will consider us again in your future needs.

The packaging may exceed our control during transportation. If there are any issues with the box or contents, please contact us directly. We will provide you with high-quality after-sales service. Please kindly wait for the response from our team.

Thank you once again for choosing us. Let's create wonderful memories and comfortable spaces together!

Kind regards,
Customer Care Team