



WARNING!!

Children have died from furniture tipover. Tip restraints have been included with this product; you must install the tip restraints according to these instructions in order to minimize the risk of furniture tipping. If you have any questions about this product or the tip restraint, please send us an email at tip_restraint_help@Noblehousefurniture.com

NEVER allow children to climb or hang on furniture, including drawers or cabinet doors.

In addition to installing the restrains, to help prevent tip-over

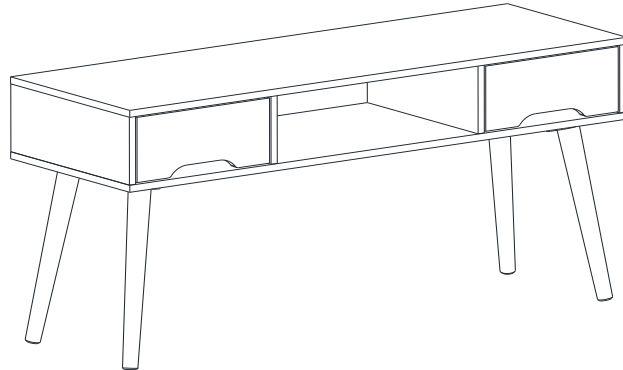
1. For use with televisions weighing 31.3 lbs or fewer. Use with heavier televisions may result in instability causing tip-over resulting in death or serious injury. **NEVER** use with CRT televisions
2. Do not stand on the product

 WARNING	
	<p>Children have died from furniture tipover. To reduce the risk of furniture tipover:</p> <ul style="list-style-type: none">• ALWAYS install tipover restraint provided.• For use with televisions weighing 31.3 lbs or fewer. Use with heavier televisions may result in instability causing tipover resulting in death or serious injury. NEVER use with CRT TVs.• NEVER allow children to stand, climb or hang on drawers, doors, or shelves.• NEVER open more than one drawer at a time.• Place heaviest items in the lowest drawers.• Do not defeat or remove the drawer interlock system.
	<p><i>This is a permanent label. Do not remove!</i></p>







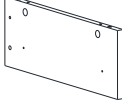
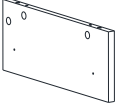
Assembly Instructions

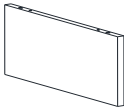

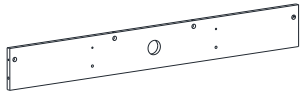
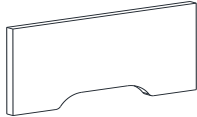
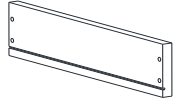


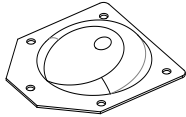


Caution : You must read this before you proceed

TV CABINET

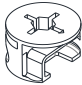

















Parts List

Label	Picture	Description	QTY
AL		Drawer Left Side Rail	2
AR		Drawer Right Side Rail	2
BL		Drawer Left Bottom Rail	2
BR		Drawer Right Bottom Rail	2
C		Top Panel	1
D		Left Side Panel	1
E		Right Side Panel	1
F		Left Center Panel	1

G		Right Center Panel	1
H		Bottom Panel	1
I		Back Panel	1
J		Drawer Front Panel	2
K		Drawer Side Panel	4
L		Drawer Back Panel	2
M		Drawer Bottom Panel	2
N		Leg Support	4
O		Leg (with pre-fixed PVC Foot)	4
P		O-Ring	2

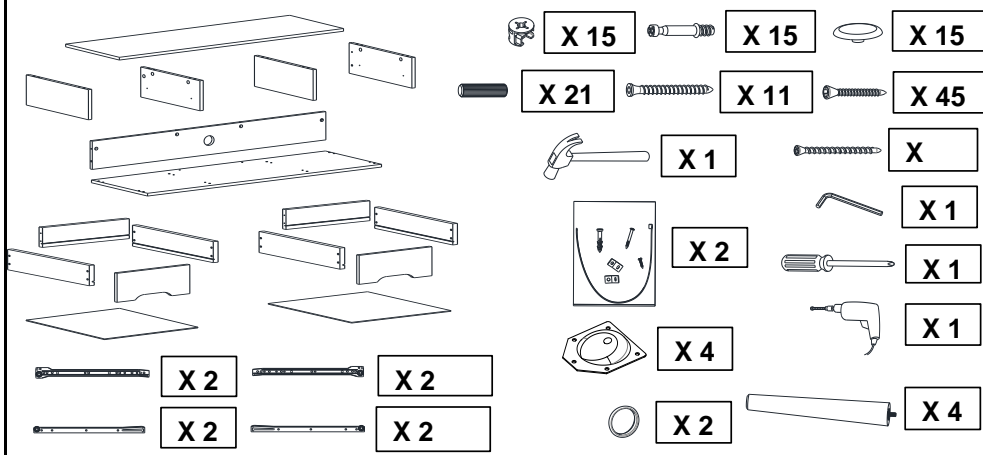
Hardware

Label	Picture	Description	QTY
①		Cam Lock	15
②		Cam Bolt	15
③		Cam Cap	15
④		Positioning Dowel (φ 8*30mm)	21

⑤		Cap Wood Screw (M6*50mm)	11
⑥		Screw (M3.5*16mm)	45
⑦		Screw (M4*38mm)	17
⑧		Allen Key	1
⑨		Screwdriver (not provided)	1
⑩		Hammer (not provided)	1
⑪		Power Drill (not provided)	1
Cabinet Restraint Device Hardware			
⑫		Metal Bracket	4
⑬		Wall Plug	2
⑭		Wall Plug Screw	2
⑮		Pan Head Screw	2
⑯		Cabinet Restraint Strap	2

Assembly Preparation

Before Beginning Assembly:



- Read instructions, cover to cover-



- Have 2 adults on hand for assembly-



- Do not assemble on flooring or carpet-



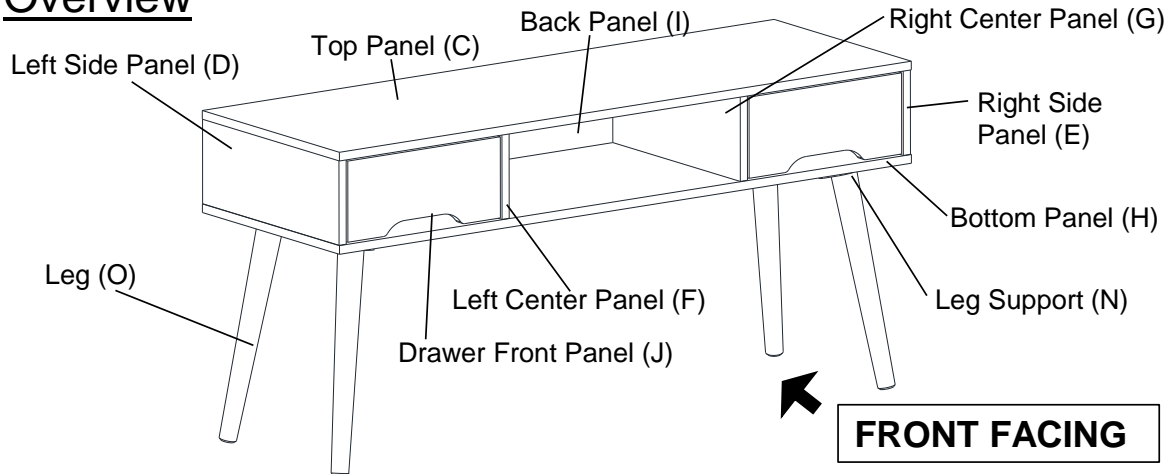
- Assemble on a clean non-marring surface (packing foam)-



- Save all packaging until finished-

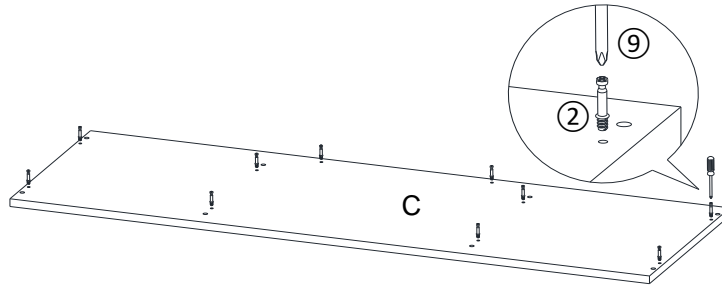
Assembly Steps

Overview

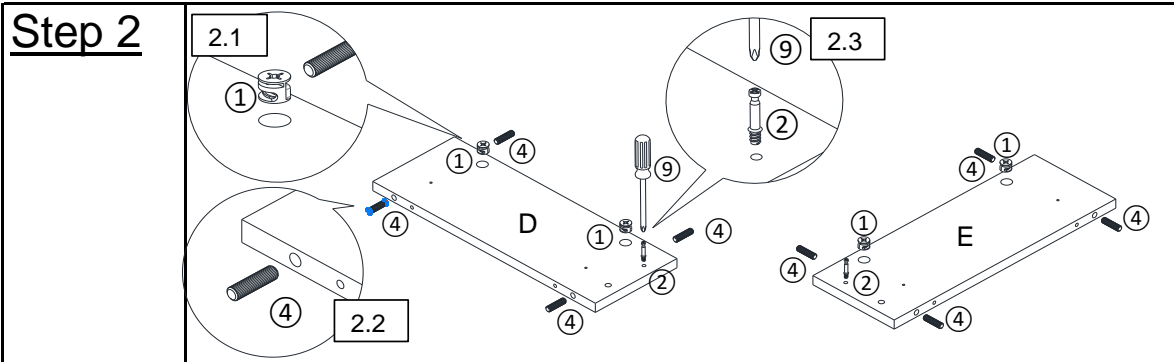


This TV Cabinet has multiple parts and may require up to 60 minutes to assemble. To give you an overview of the TV Cabinet parts, the above picture is to help you put the various parts into perspective. Please read through the instructions below to familiarise yourself with the parts and steps before assembly.

Step 1



Unpack and place all parts on a clean, non-marring surface. Attach Cam Bolts (2) to mounting positions on Top Panel (C) with Screwdriver (9).

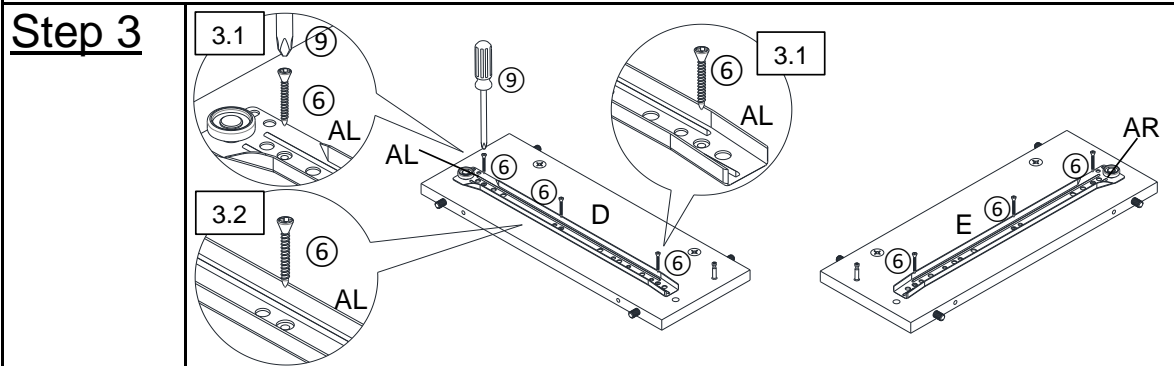


2.1) Insert Cam Locks(①) into mounting positions on Left Side Panel(D) by hand.

2.2) Insert Positioning Dowels(④) into mounting positions on Left Side Panel(D) by hand.

2.3) Attach Cam Bolts(②) to mounting positions on Left Side Panel(D) with Screwdriver(⑨).

2.4) Repeat the same process with Right Side Panel(E).

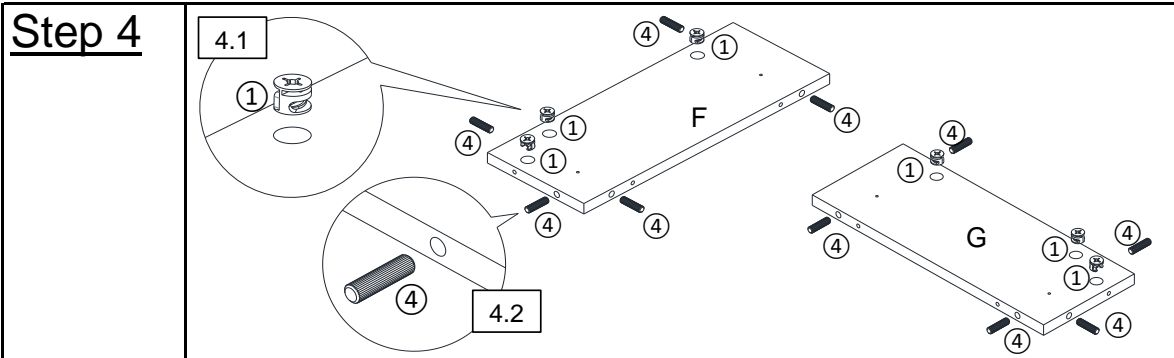


3.1) Attach Drawer Left Side Rail(AL) to Left Side Panel(D) using Screws(⑥) with Screwdriver(⑨) where indicated.

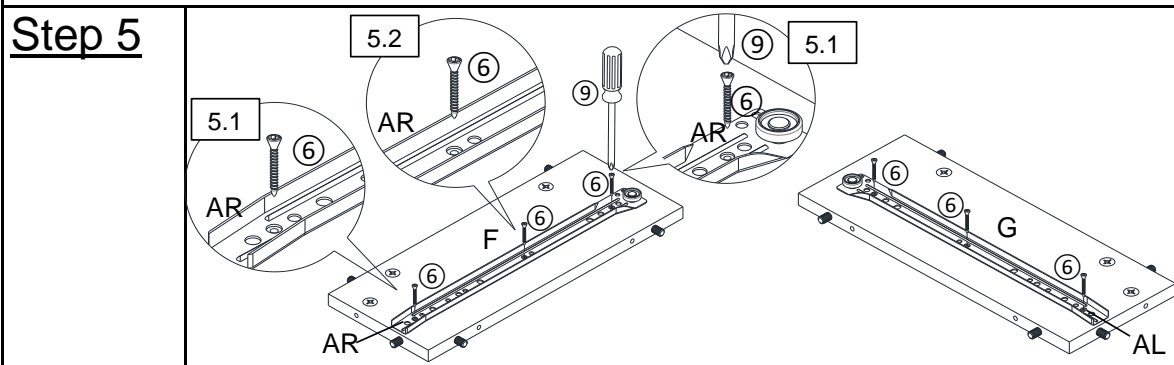
3.2) Attach Drawer Left Side Rail(AL) to Left Side Panel(D) using Screw(⑥) with Screwdriver(⑨) where indicated.

Note: There are pre-existing mounting positions on the Left Side Panel(D) to attach the Drawer Left Side Rail(AL).
Tighten the Screws fully in a sequential manner.

3.3) Repeat the same process to attach Drawer Right Side Rail(AR) on Right Side Panel(E).

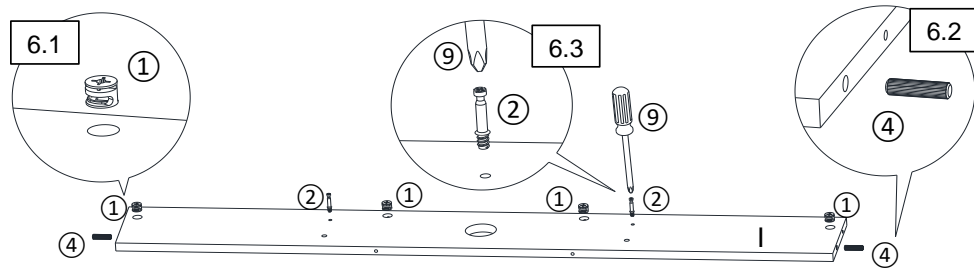


- 4.1)** Insert Cam Locks(①) into mounting positions on Left Center Panel(F) by hand.
- 4.2)** Insert Positioning Dowels(④) into mounting positions on Left Center Panel(F) by hand.
- 4.3)** Repeat the same process with Right Center Panel(G).



- 5.1)** Attach Drawer Right Side Rail(AR) to Left Center Panel(F) using Screws(⑥) with Screwdriver(⑨) where indicated.
- 5.2)** Attach Drawer Right Side Rail(AR) to Left Center Panel(F) using Screw(⑥) with Screwdriver(⑨) where indicated.
- Note:** There are pre-existing mounting positions on the Left Center Panel(F) to attach the Drawer Right Side Rail(AR).
Tighten the Screws fully in a sequential manner.
- 5.3)** Repeat the same process with Drawer Left Side Rail(AL) on Right Center Panel(G).

Step 6

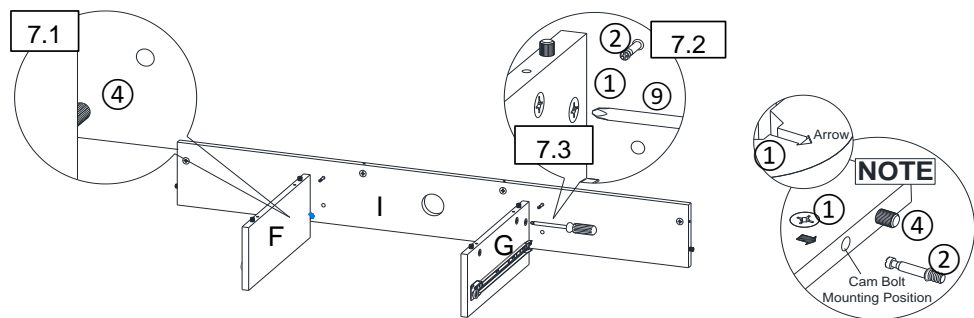


6.1) Insert Cam Locks (①) into mounting positions on Back Panel(I) by hand.

6.2) Insert Positioning Dowels(④) into mounting positions on Back Panel(I) by hand.

6.3) Attach Cam Bolts(②) to mounting positions on Back Panel(I) with Screwdriver(⑨).

Step 7

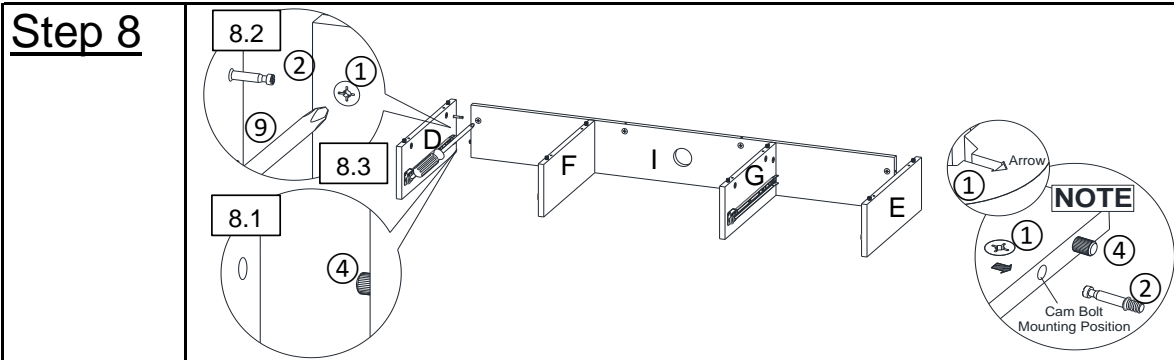


7.1) Insert Positioning Dowels(④) from Left Center Panel(F) and Right Center Panel(G) into mounting positions on Back Panel(I).

Note: Ensure the arrows on Cam Locks head points towards the Cam Bolt mounting positions.

7.2) Insert Cam Bolts(②) on Back Panel(I) into the mounting positions on Left Center Panel(F) and Right Center Panel(G).

7.3) Turn the Cam Locks(①) clockwise with the Screwdriver(⑨) until they all lock into place.

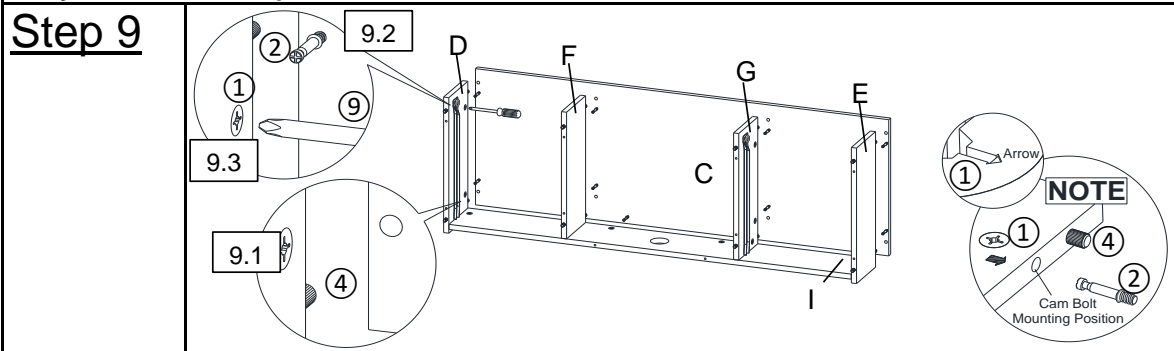


8.1) Insert Positioning Dowels(④) from Back Panel(I) into mounting positions on Left Side Panel(D) and Right Side Panel(E).

Note: Ensure the arrows on Cam Locks head points towards the Cam Bolt mounting positions.

8.2) Insert Cam Bolts(②) on Left Side Panel(D) and Right Side Panel(E) into mounting positions on sides of Back Panel(I).

8.3) Turn the Cam Locks(①) clockwise with the Screwdriver(⑨) until they all lock into place.



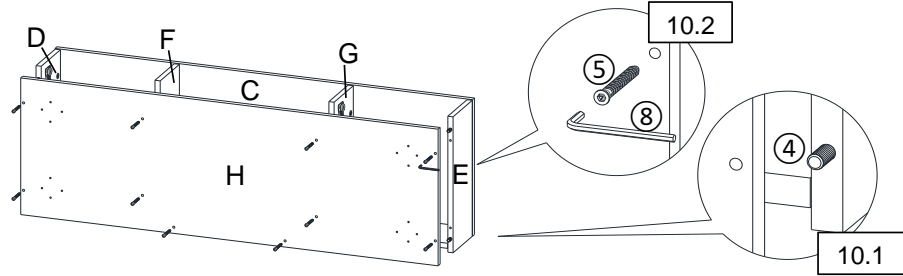
9.1) Insert Positioning Dowels(④) from Left Side Panel(D), Right Side Panel(E), Left Center Panel(F) and Right Center Panel(G) into mounting positions on Top Panel(C).

Note: Ensure the arrows on Cam Locks head points towards the Cam Bolt mounting positions.

9.2) Insert the Cam Bolts(②) on Top Panel(C) into mounting positions on sides of Left Side Panel(D), Right Side Panel(E), Left Center Panel(F) and Right Center Panel(G).

9.3) Turn the Cam Locks(①) with the Screwdriver(⑨) until they all lock into place.

Step 10

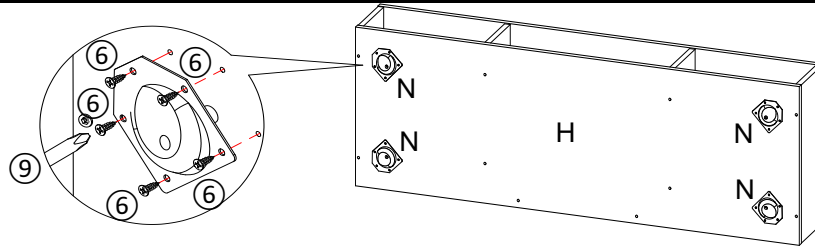


10.1) Insert Positioning Dowels(④) from Left Side Panel(D), Right Side Panel(E), Left Center Panel(F) and Right Center Panel(G) into mounting positions on Bottom Panel(H).

10.2) Attach Bottom Panel(H) to Cabinet Assembly using Cap Wood Screws(⑤) with Allen Key(⑧).

Tighten Cap Wood Screws fully in a sequential manner.

Step 11



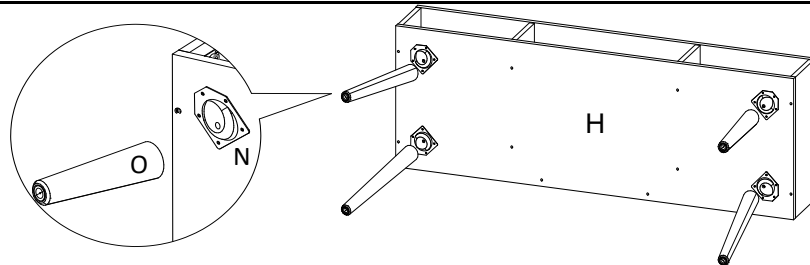
Attach Leg Supports(N) to Bottom Panel(H) using Screws(⑦) with Screwdriver(⑨).

Tighten the Screws fully in a sequential manner.

Caution: The thinner sides of Leg Supports(N) should be facing outwards. Misassembly and reassembly may cause damage and instability to the product.

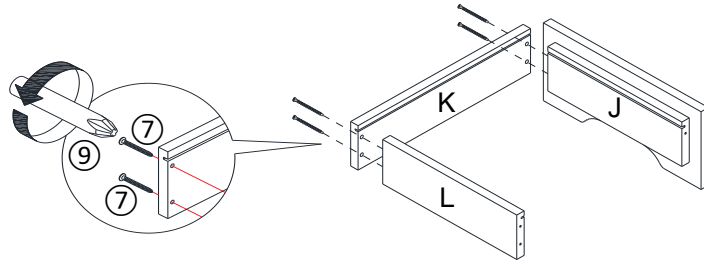
Note: There are pre-existing mounting positions on the Bottom Panel(H) to attach the Leg Supports(N).

Step 12



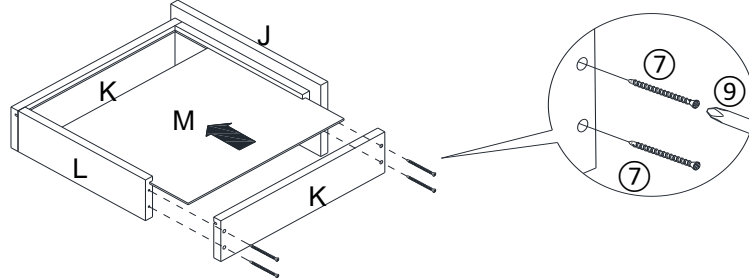
Attach Legs(O) to Leg Supports(N) by rotating the Legs clockwise by hand.

Step 13



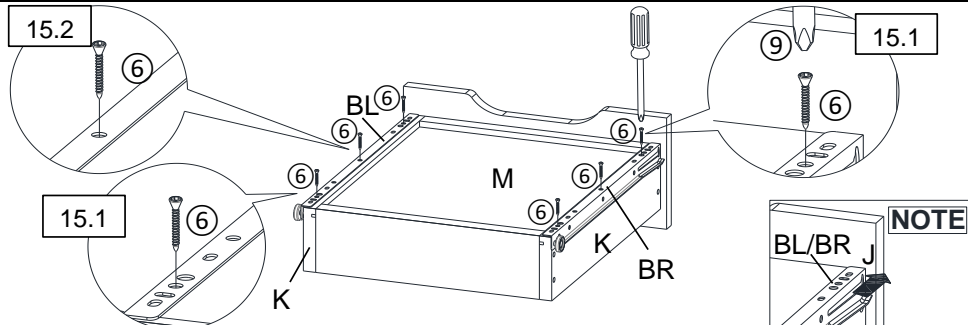
Attach Drawer Side Panels(K) to Drawer Front Panel(J) and Drawer Back Panel(L) using Screws(7) with Screwdriver(9).
Tighten the Screws fully in a sequential manner.

Step 14



Attach Drawer Bottom Panel(M) to Drawer Assembly, attach Drawer Side Panels(K) to Drawer Front Panel(J) and Drawer Back Panel(L) using Screws(7) with Screwdriver(9).
Tighten the Screws fully in a sequential manner.

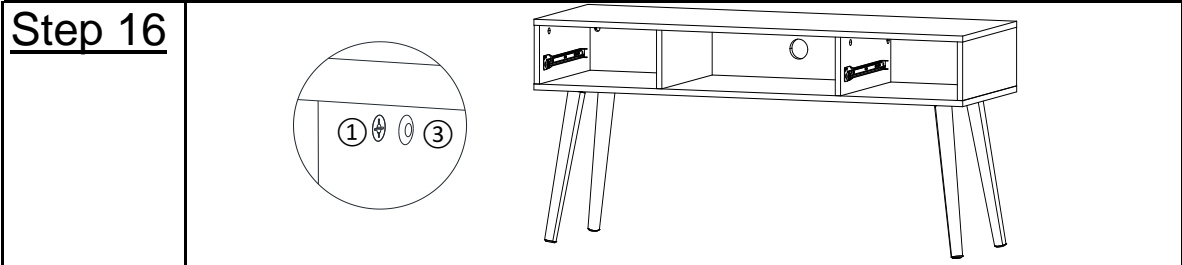
Step 15



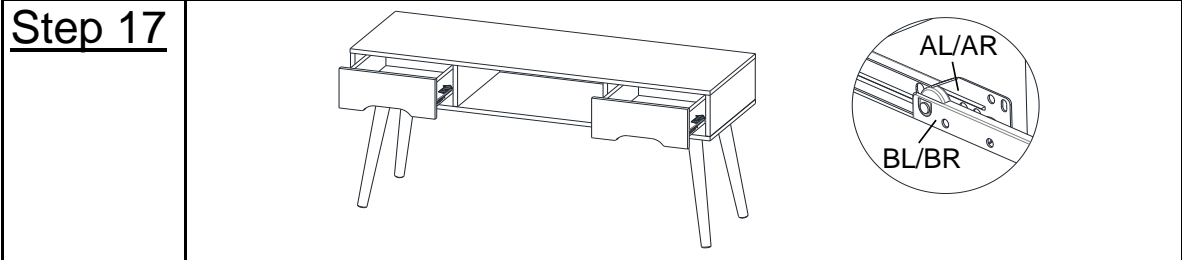
15.1) Attach Drawer Left Bottom Rail(BL) and Drawer Right Bottom Rail(BR) to Drawer Side Panel(K) using Screws(6) with Screwdriver(9) where indicated.

15.2) Attach Drawer Left Bottom Rail(BL) and Drawer Right Bottom Rail(BR) to Drawer Side Panel(K) using Screws(6) with Screwdriver(9) where indicated.

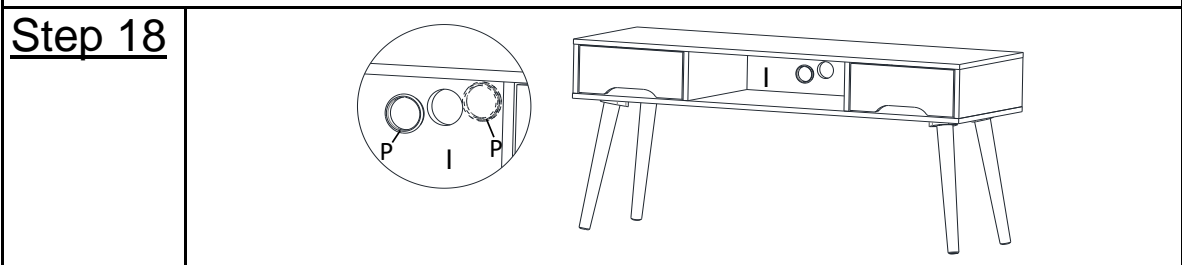
Tighten the Screws fully in a sequential manner.



Attach Cam Caps(③) to all Cam Locks(①) by hand.



Put Drawer Assemblies in place by aligning the rails.

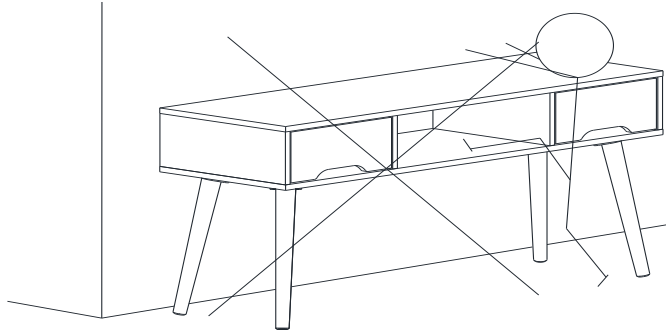


Insert O-Rings(P) into mounting position on Back Panel(I) from front and back by hand.

Cabinet Restraint Device Installation Instructions

WARNING

Serious or fatal crushing injuries can occur from tipping furniture.
To help prevent tip-over: ALWAYS secure this furniture to the wall using Cabinet Restraint Device.
See product instructions for more ways to help prevent furniture tip-over.

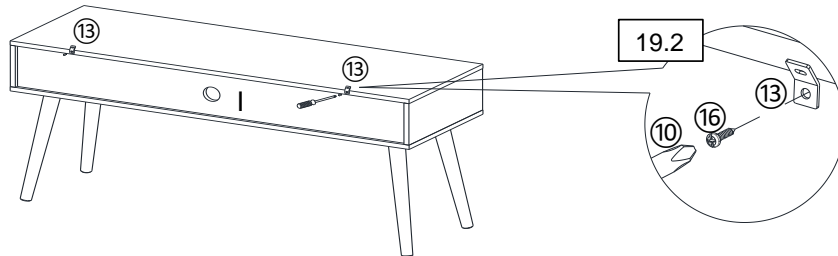


Usage For Cabinet Restraint Device:

To Secure TV Cabinet against wall, attach Metal Brackets(13) to wall and product, and use Cabinet Restraint Straps(17) to connect the Metal Brackets(13).

Instructions:

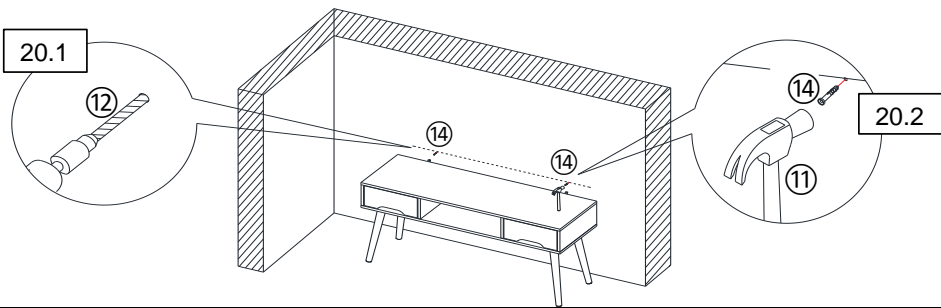
Step 19



19.1) Turn the TV Cabinet so the back side faces you.

19.2) Attach Metal Brackets(13) to Back Panel(I), where Labeled using Pan Head Screws(16) with Screwdriver(10).

Step 20



20.1) Drill two holes on wall at same height as Metal Brackets(13) on TV Cabinet with Power Drill(12).

You can mark these points in two ways as below:

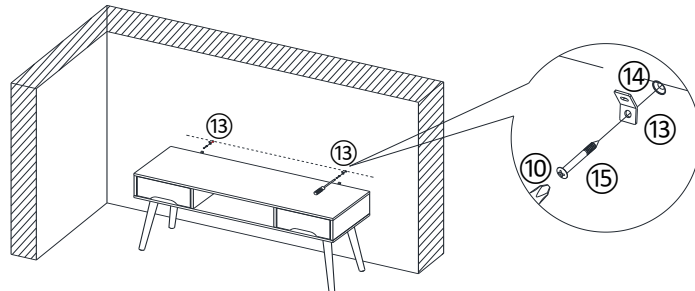
1) Move the TV Cabinet back to the wall. Mark two points same height as TV Cabinet on the wall.

Note: The Metal Brackets need to be secured to solid, load bearing surface. Please use a Stud Finder(not supplied) if needed to locate the Wall Frame.

2) Measure the height of the Metal Brackets(13) with ruler/measuring tape and mark on wall to keep them accurate and same height.

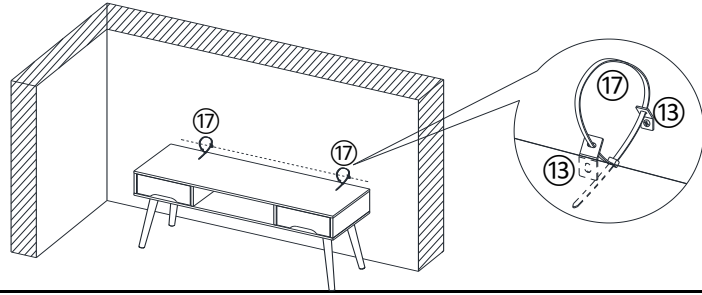
20.2) Insert Wall Plugs(14) into drilled holes on wall with Hammer(11).

Step 21



Attach Metal Brackets(13) to Wall Plugs(14) using Wall Plug Screws(15) with Screwdriver(10).

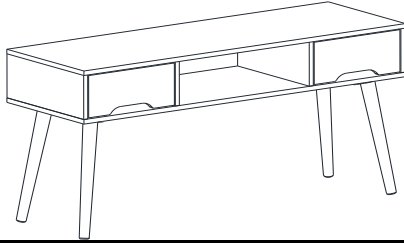
Step 22



Move TV Cabinet to the wall.

Pull the Restraint Straps(17) through the Metal Brackets(13) on the wall and TV Cabinet one by one, and pull the Restraint Straps(17) tight.












Step 23



Your TV Cabinet is ready for use.

This TV Cabinet can only be used on a flat, level surface.

Care & Maintenance

- ✓  • Furniture may scratch floors. We recommend using furniture pads to protect your floors.
- ⊘  • Do not put hot items directly on furniture surface.
- ⊘  • Do not clean furniture with harsh cleansers or polish.
- ⊘  • Do not place furniture under direct sunlight.
- ⊘  • Do not place furniture near heating or cooling vents.
- ⊘  • Do not write on furniture without a padded barrier to protect the surface.
- ⊘  • Do not place furniture outside . For indoor use only.
- ⊘  • Not for commercial use. For residential use only.
- ⊘  • Stains may be removed with mild soap solution and damp cloth.
- ⊘  • Children should not climb or jump on the furniture.
- ✓  • Dust and pick-up spills using a clean, non-colored, lint-free cloth.