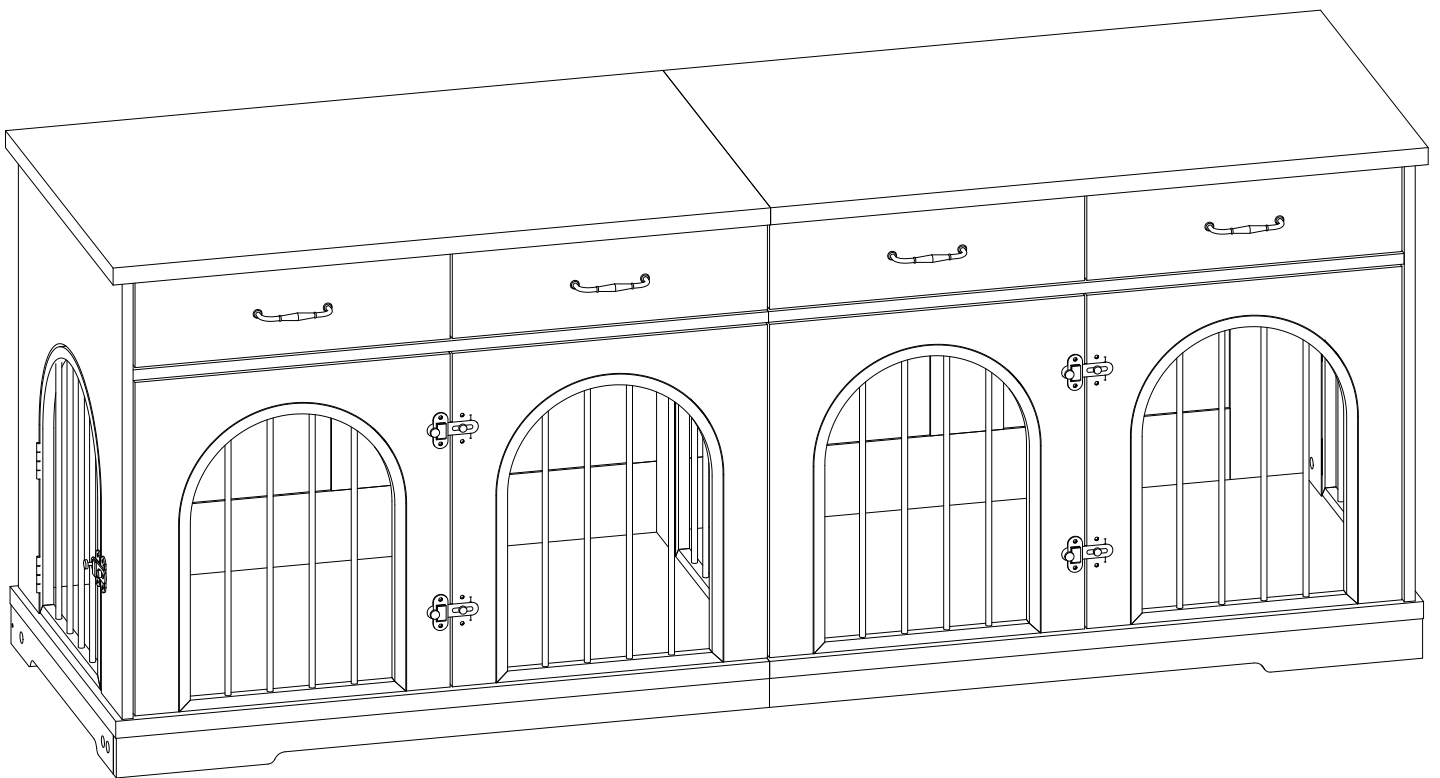


ASSEMBLY INSTRUCTIONS



NOTE:50% TIGHTEN BEFORE FIXING ALL BOLTS

N704P414602A

N704P414603A

Thank you for choosing our products.

1. Return Policy




DO NOT RETURN TO THE STORE! Skip the process of returning your product and contact us directly for a replacement

If you find that parts of your order are missing or damaged, we will gladly ship any needed replacement parts free of charge.

If you have found any sort of defect, please contact our customer service department and let us know the details of your order and any issues encountered, we will try our best to provide you with a solution.

Recommendations Before Beginning Assembly

 • Read instructions, cover to cover

 • Have 2-4 adults on hand for assembly depending on product size

 • Do not assemble directly on flooring or carpet

 • Assemble on a clean non-marring surface (example: packing foam)

 • Save all packaging until finished

3. Assembly Notice:

- If you encounter any problems during assembly and find that you cannot continue, rest assured we will help you solve the situation as soon as possible. Simply keep all of the parts of the product stored in a safe place and contact us immediately so we may assist you further.





















- Once you have opened your package, remove all inner hardware packages and take the parts out. One by one, Place the parts out neatly in front of you, then refer to the instructions to ensure no parts are missing. If any pieces are found missing, please carefully look in the box first, as the hardware packaging might have torn making the hardware spill in the box.

- Some key parts of your product may be stored and hidden inside of other parts. Please open any zippered or hook & loop storage compartments to remove all parts. (example: cushions and legs being stored in the underside of a sofa)

- **IMPORTANT:** When setting up your product, **DO NOT INSTALL THE SCREWS ALL THE WAY IN THE BEGINNING.** Place each screw into their proper hole and use your hand to twist the screw halfway. Twist all the screws in halfway to ensure the holes will match up properly and the product is level on the ground. When everything seems fitted, then tighten the screws.

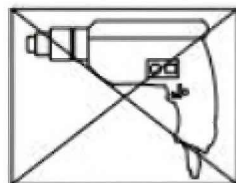
- When you have completed assembly, we suggest you have more than one person to assist you with lifting and placing the product.

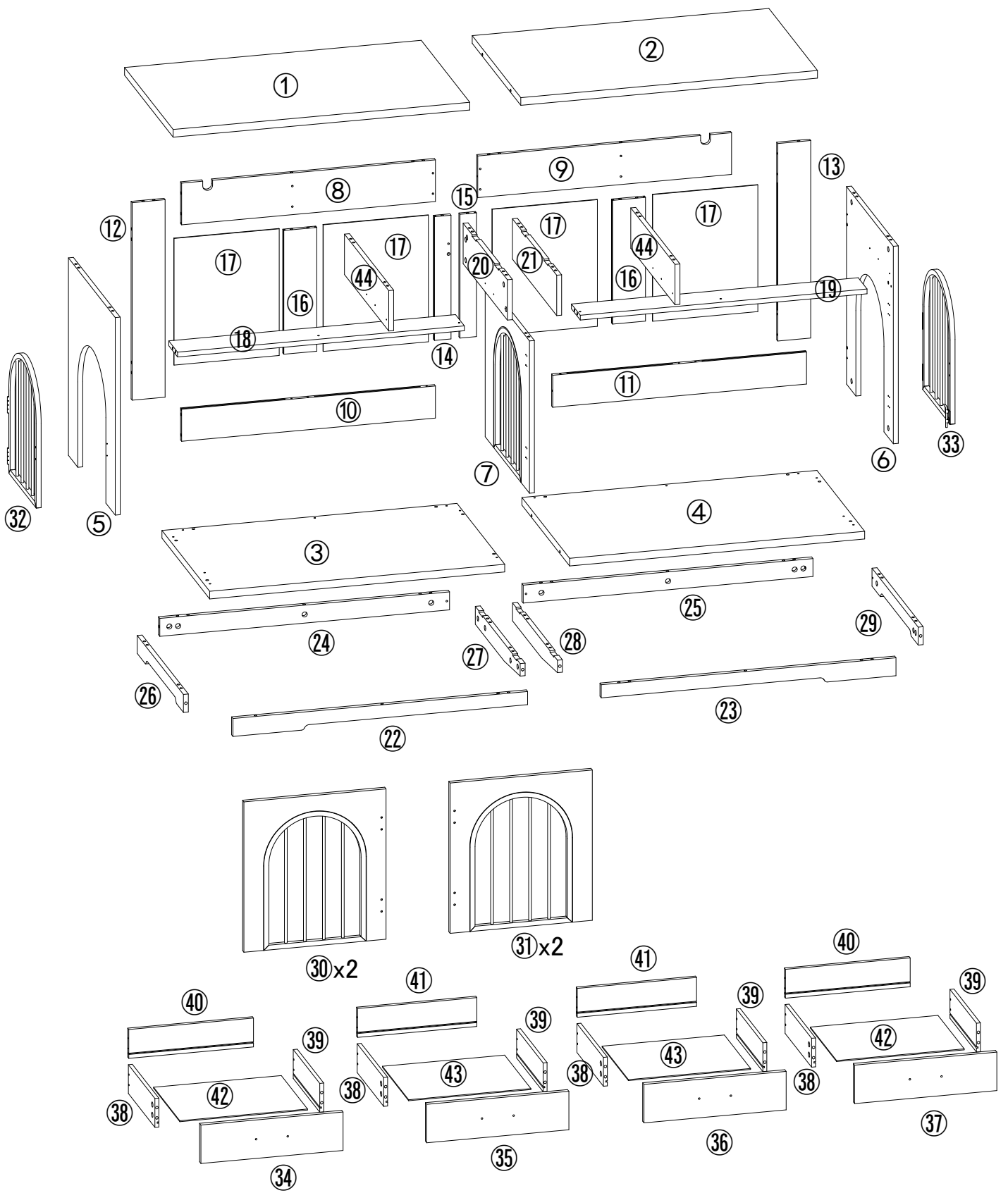
Care & Maintenance

- 

● Do not put hot items directly on furniture surface
- 

● Do not clean furniture with harsh cleansers or polish
- 

● Do not place furniture under direct sunlight
- 

● Do not place furniture near heating or cooling vents
- 

● Do not write on furniture without a padded barrier to protect the surface
- 

● Do not place furniture outside. For indoor use only
- 

● Not for commercial use. For residential use only
- 

● Stains may be removed with mild soap solution and damp cloth
- 

● Children should not climb or jump on the furniture
- 

● Dust and pick-up spills using a clean, non-colored, lint-free cloth

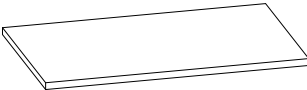
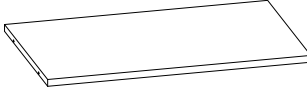
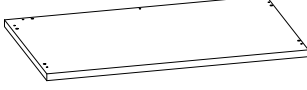
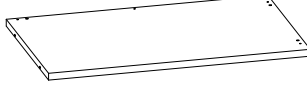












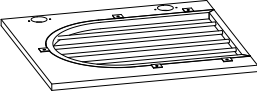
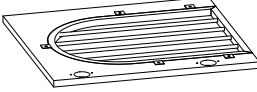
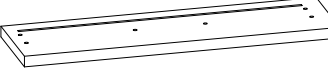

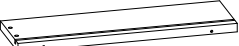



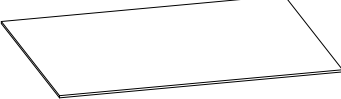
Caution

- This product contains small components. Please ensure that they are kept away from small children.
- Do not use power tools to assemble your furniture. Power tools may strip or damage the parts.

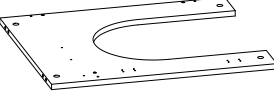

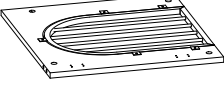












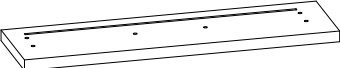





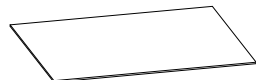
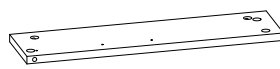
N704P414602A Box:1/2

			
① x 1pc	② x 1pc	③ x 1pc	④ x 1pc
			
⑧ x 1pc	⑨ x 1pc	⑩ x 1pc	⑪ x 1pc
			
⑫ x 1pc	⑬ x 1pc	⑱ x 1pc	⑲ x 1pc
			
⑳ x 1pc	㉓ x 1pc	㉔ x 1pc	㉕ x 1pc
			
㉚ x 2pcs	㉛ x 2pcs	㉜ x 1pc	㉟ x 1pc
			
㉞ x 4pcs	㉟ x 4pcs	㊀ x 2pcs	㊁ x 2pcs
			
㊂ x 1pc			

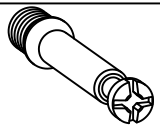

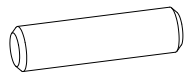

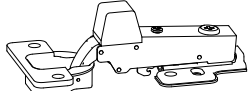
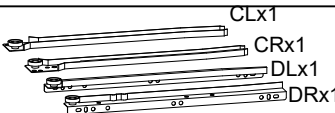
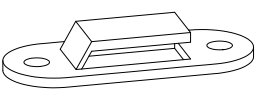
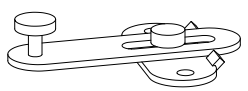

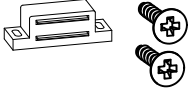

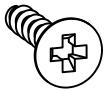


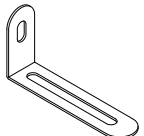


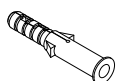
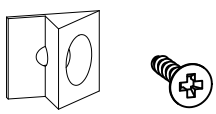
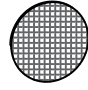


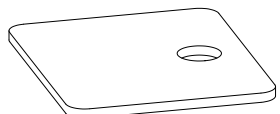
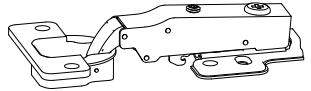
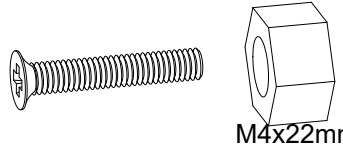

N704P414603A Box:2/2

			
⑤ x 1pc	⑥ x 1pc	⑦ x 1pc	⑭ x 1pc
			
⑮ x 1pc	⑯ x 2pcs	⑰ x 4pcs	⑳ x 1pc
			
㉑ x 1pc	㉖ x 1pc	㉗ x 1pc	㉘ x 1pc
			
㉙ x 1pc	㉚ x 1pc	㉛ x 1pc	㉜ x 1pc

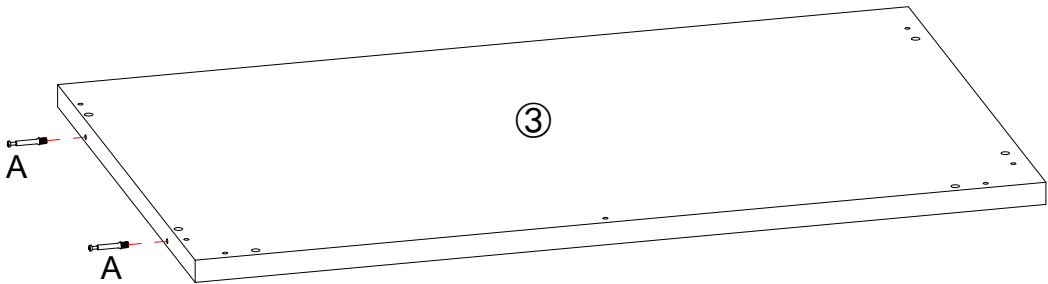
N704P414603A Box:2/2

			
③⑥ x 1pc	④③ x 2pcs	④④ x 2pcs	

Hardware-Liste:N704P414603A Box:2/2

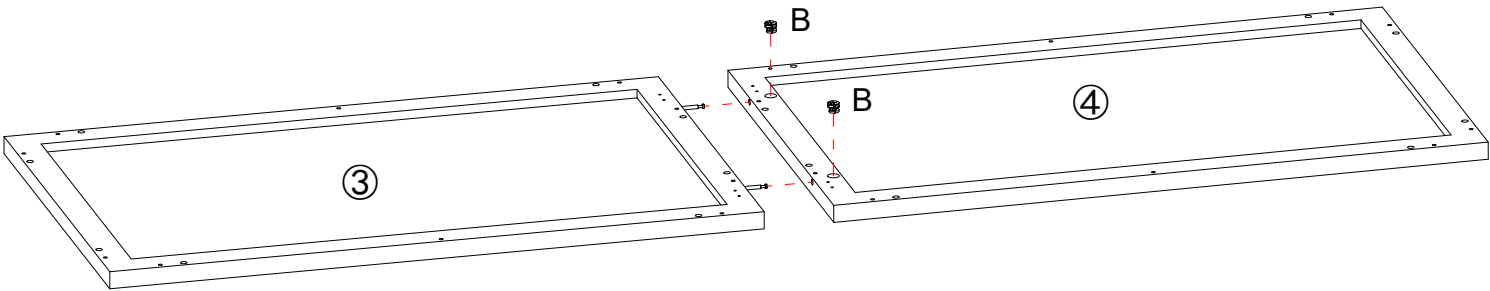
 M6x35mm	 Φ15x9mm	 Φ6x30mm	 M3x12mm
A x 116pcs	B x 120pcs	C x 48pcs	D x 40pcs
	 300mm		
E x 6pcs	F x 4pcs	G x 6pcs	H x 6pcs
	 M3x16mm		 Black
I x 4pcs	J x 2pcs	K x 14pcs	L x 38pcs M4x16mm
	 M4x14mm		 M4x35mm
M x 6pcs	N x 50pcs	O x 2pcs	P x 14pcs
 M4x18mm			
Q x 8pcs	R x 2pcs	S x 8pcs	T x 7pcs
 M4x12mm			
U x 8pcs	V x 2pcs	W x 2pcs	X x 2pcs
 M4x22mm	 M3x16mm		
Y x 4pcs	Z x 8pcs		

STEP 1



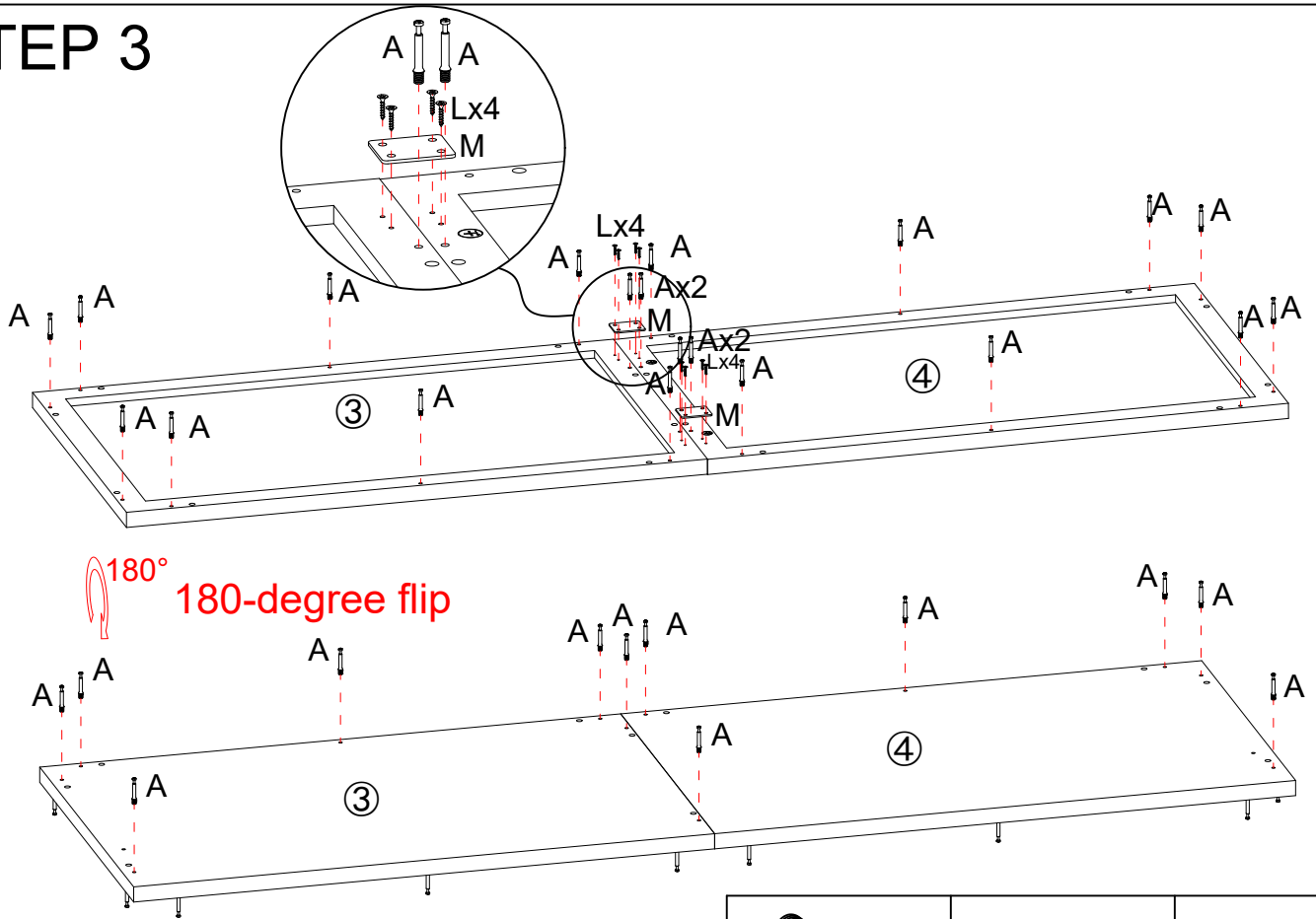
A x 2




STEP 2



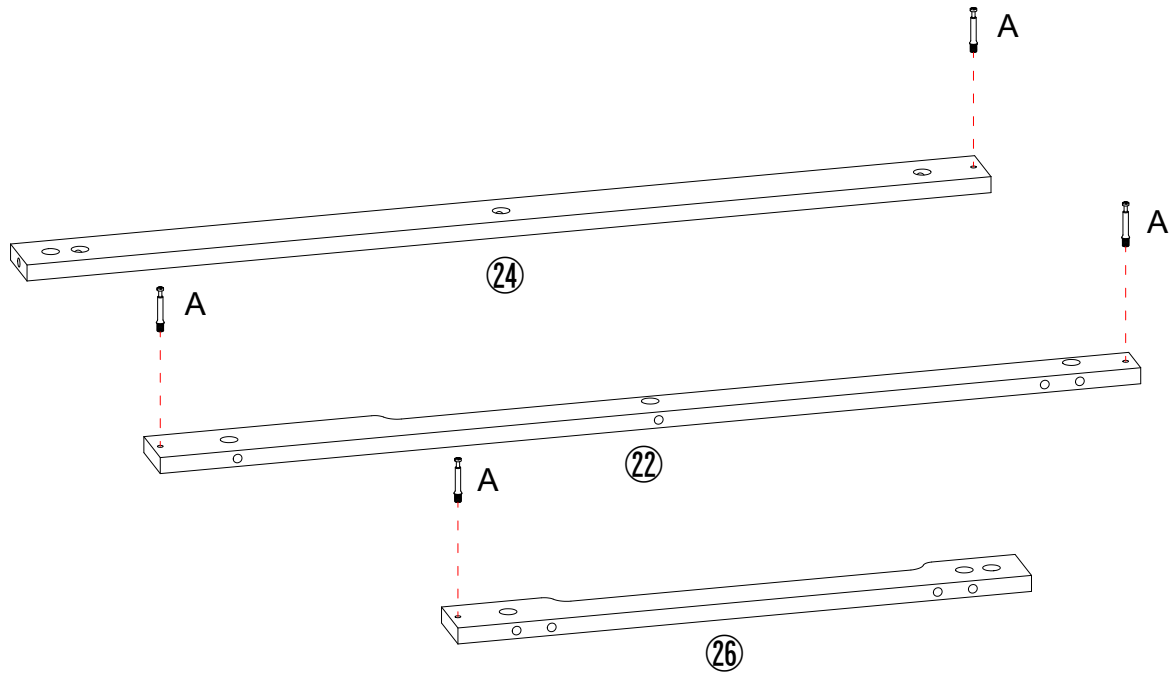
B x 2


STEP 3



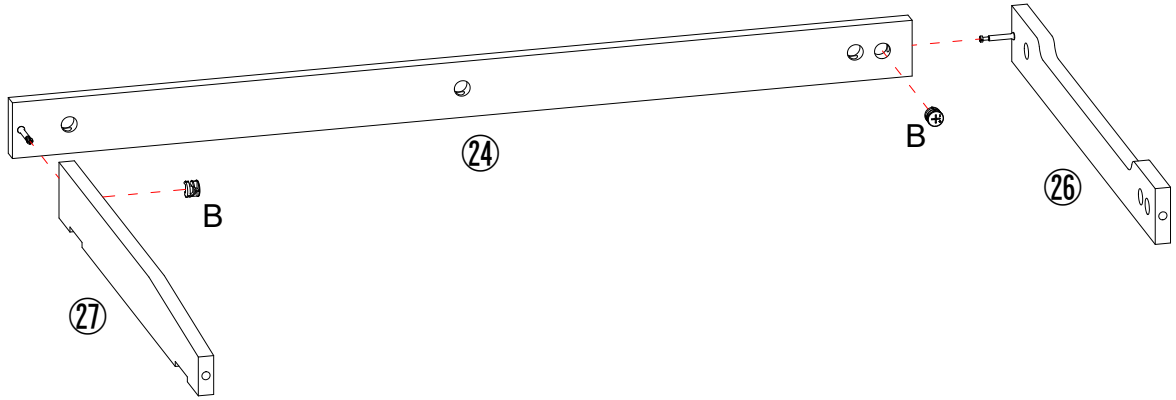
		
A x 32	M x 2	L x 8

STEP 4



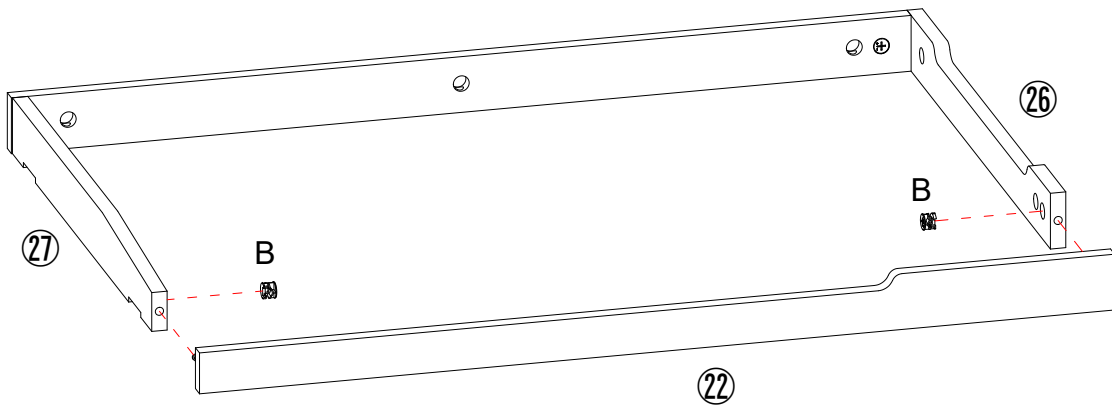

A x 4

STEP 5



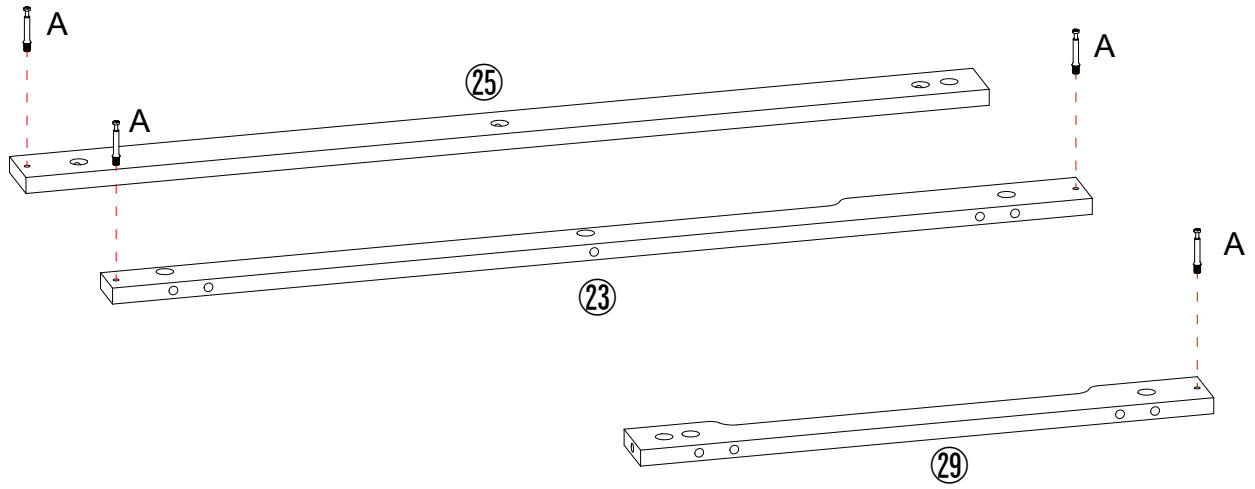
B x 2

STEP 6



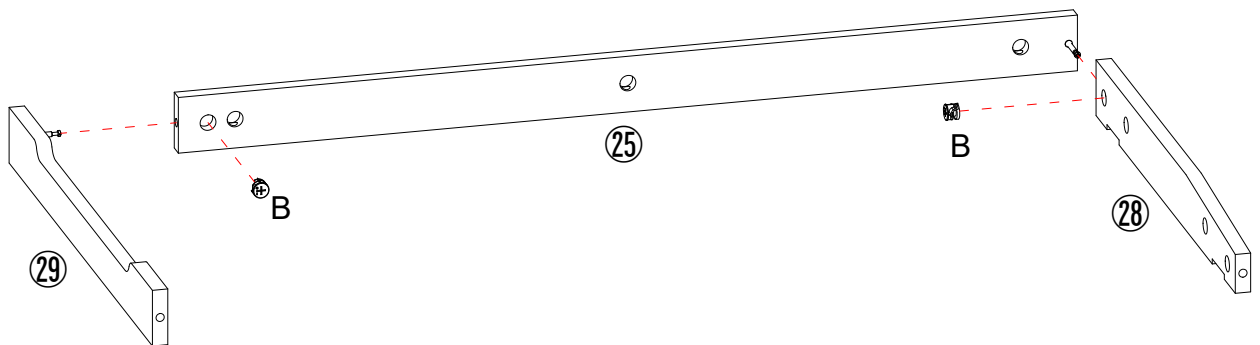
B x 2

STEP 7



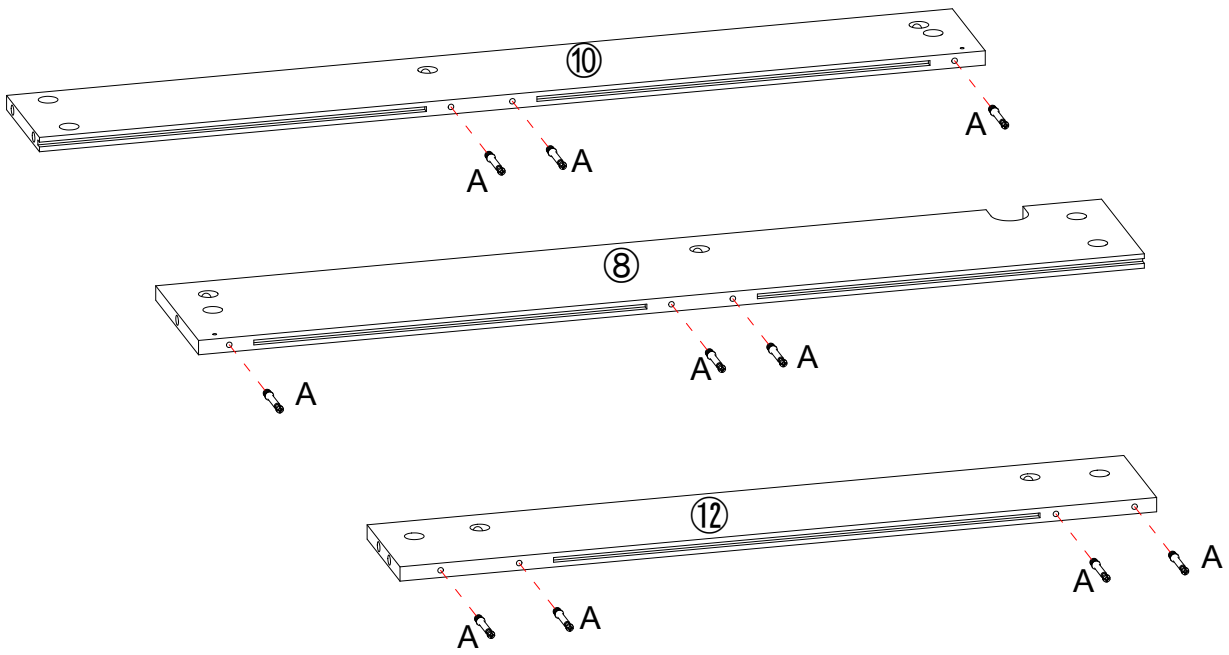
A x 4

STEP 8



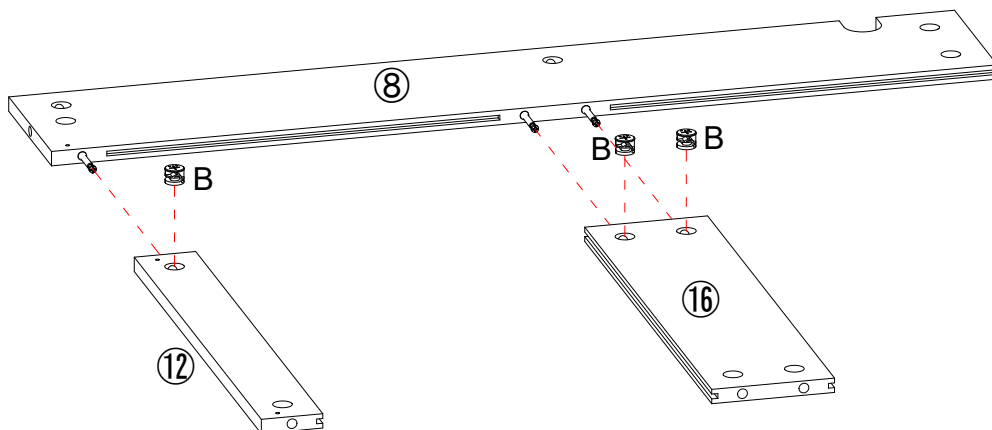
B x 2

STEP 11



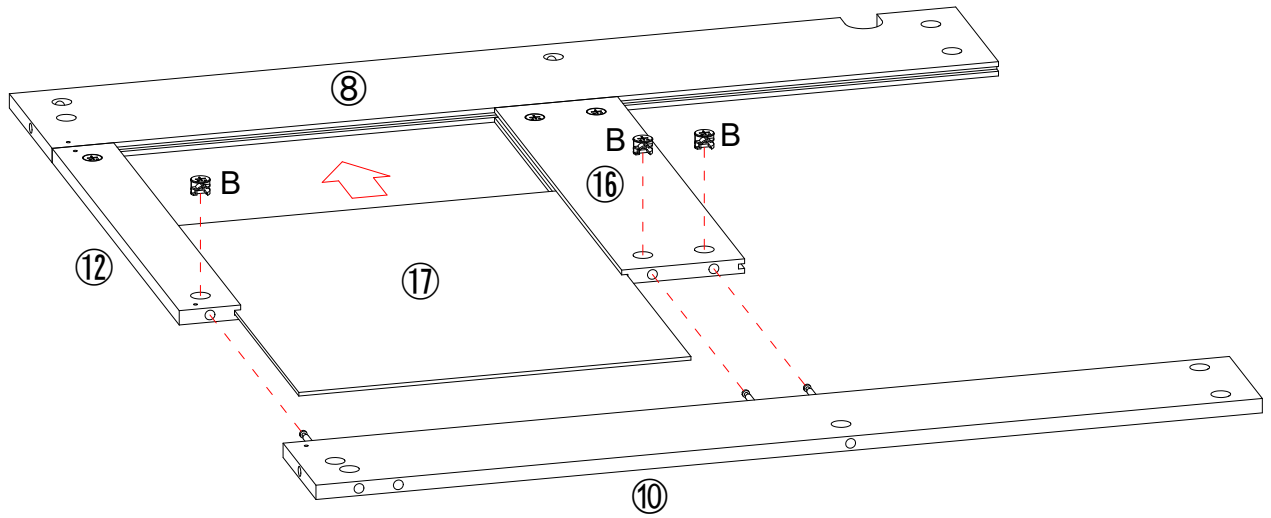
A x 10

STEP 12



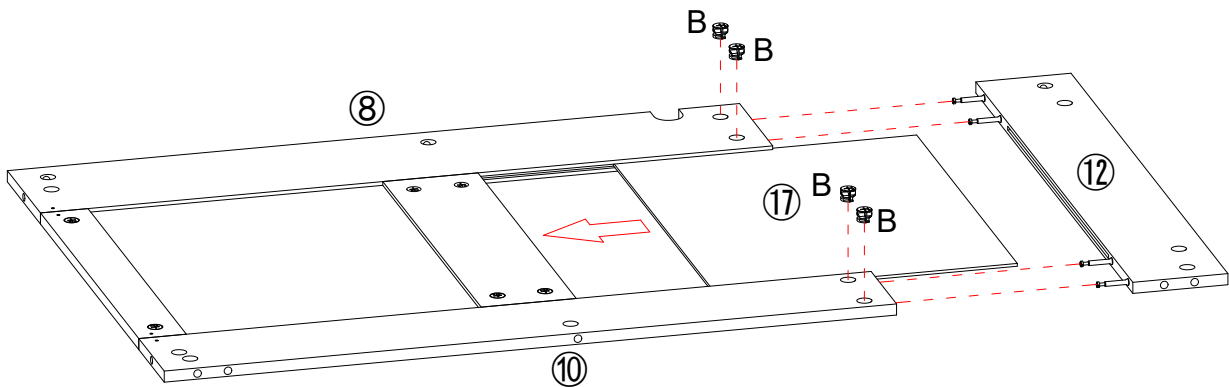
B x 3

STEP 13



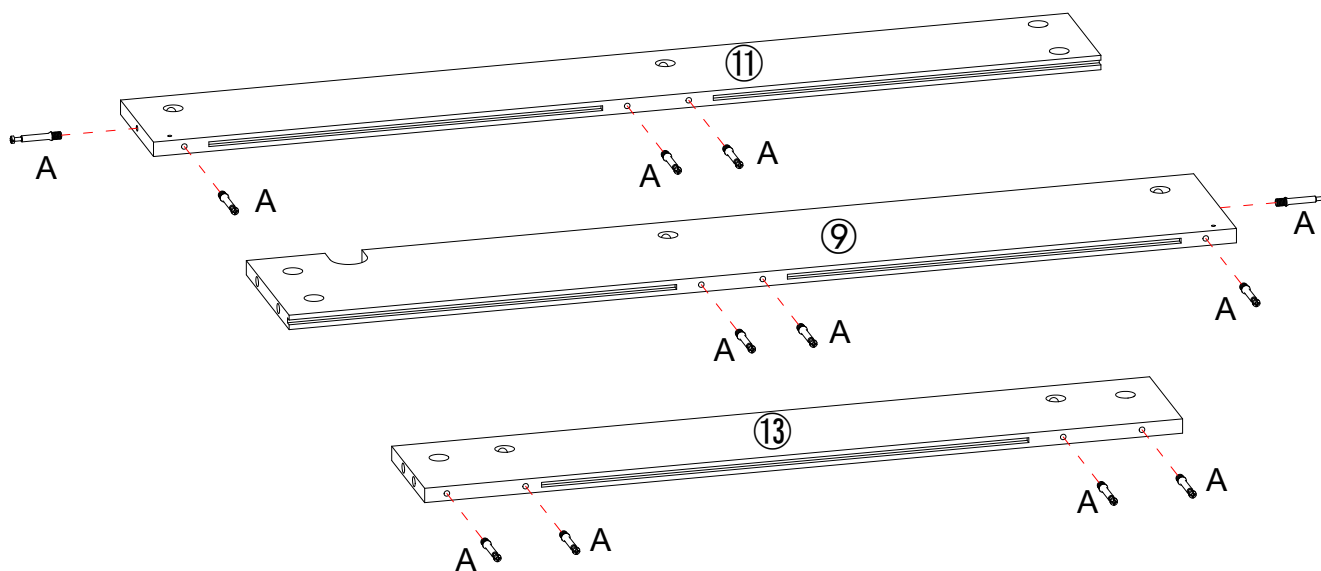
B x 3

STEP 14



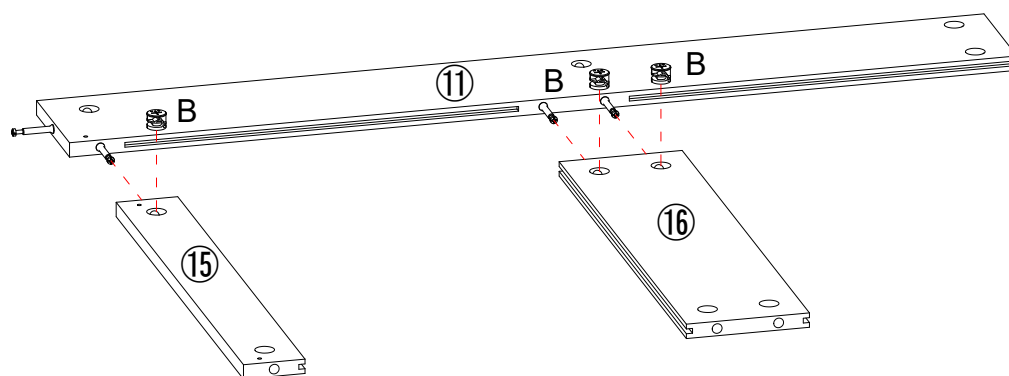
B x 4

STEP 15



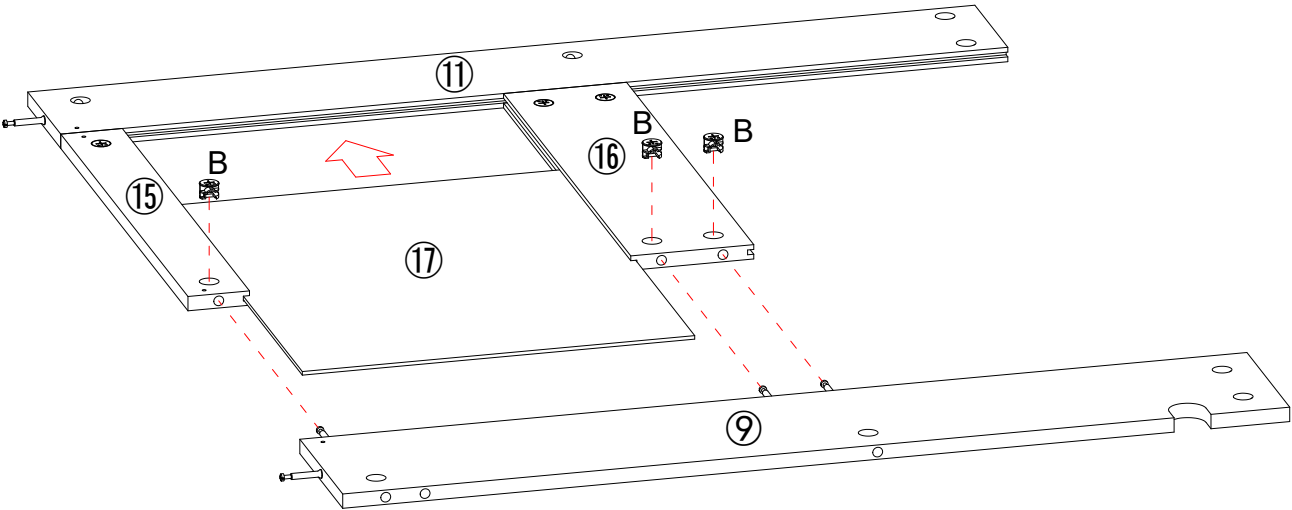
A x 12

STEP 16



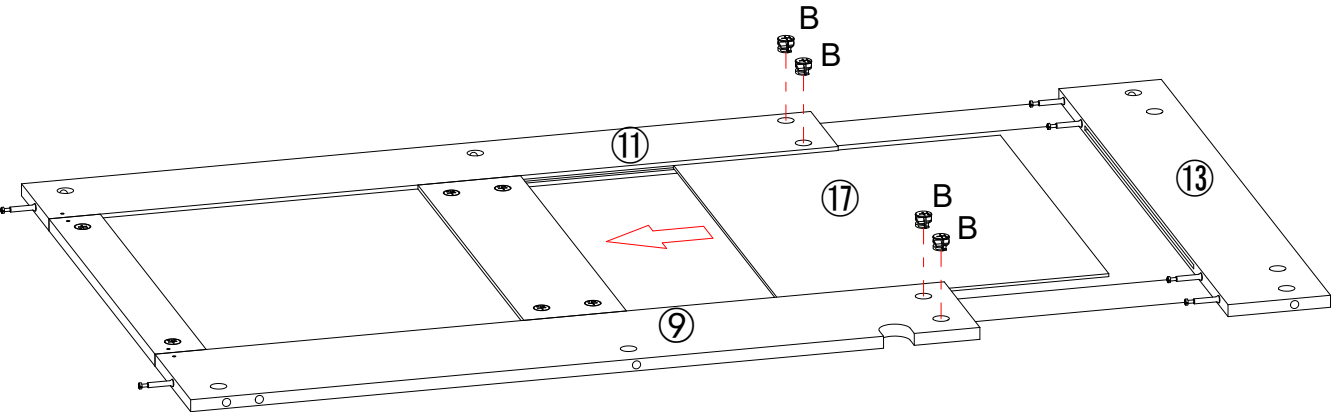
B x 3

STEP 17



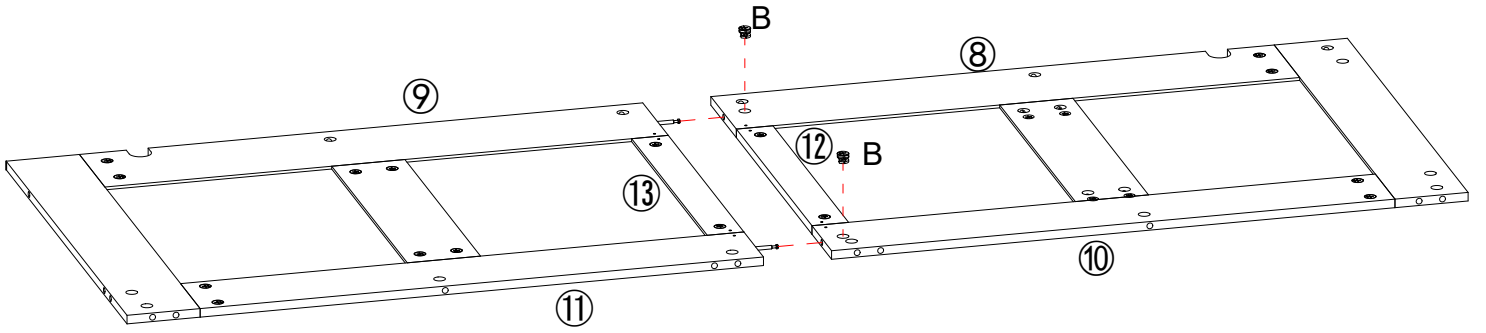
B x 3

STEP 18



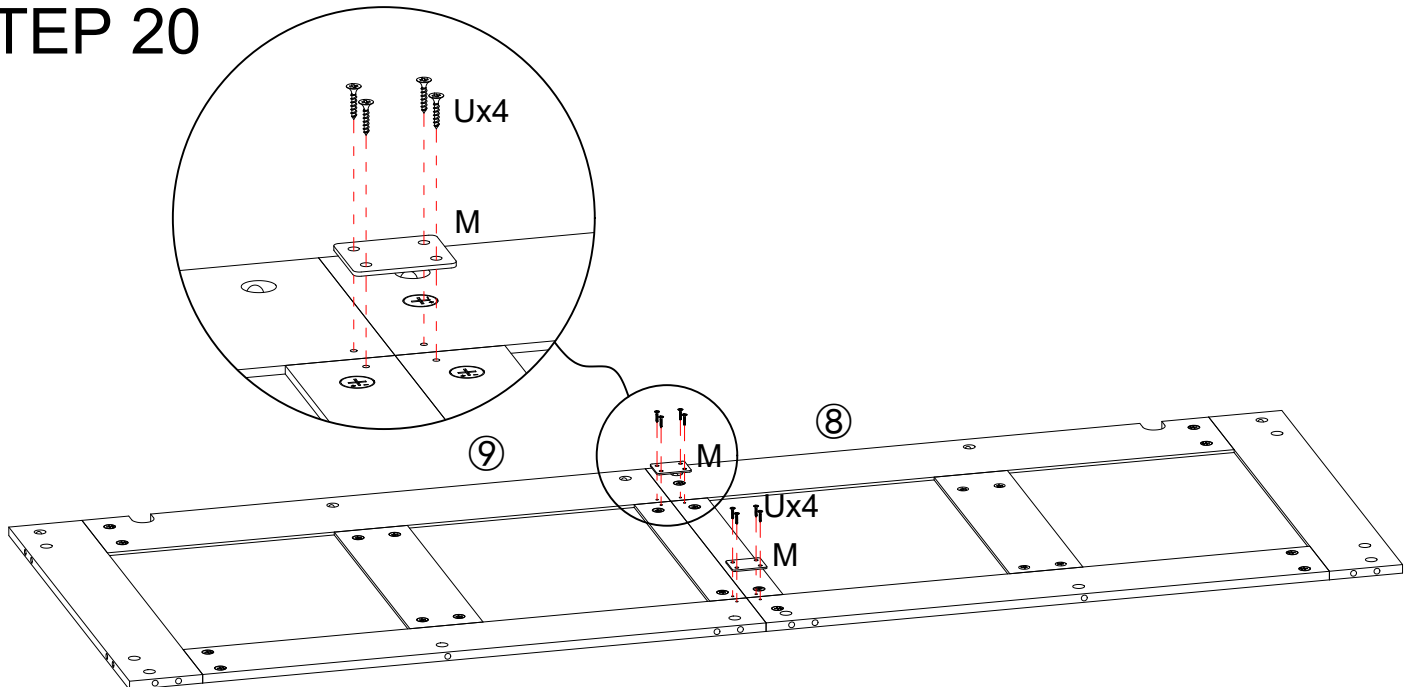
B x 4

STEP 19



B x 2

STEP 20

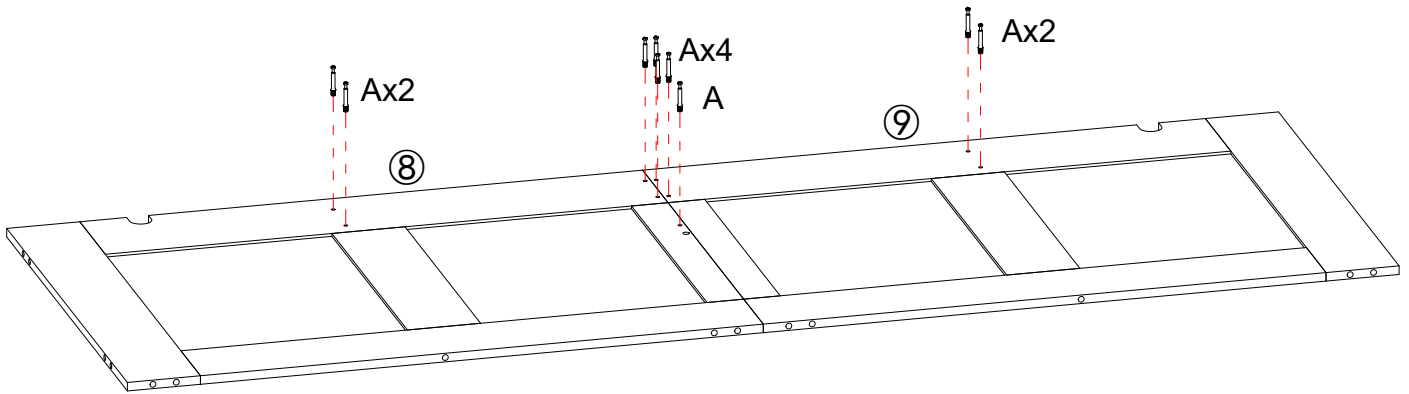


M x 2



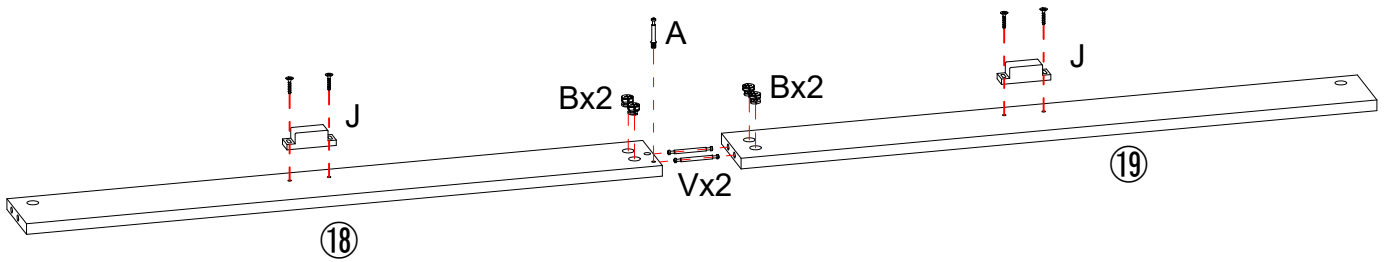
U x 8

STEP 21

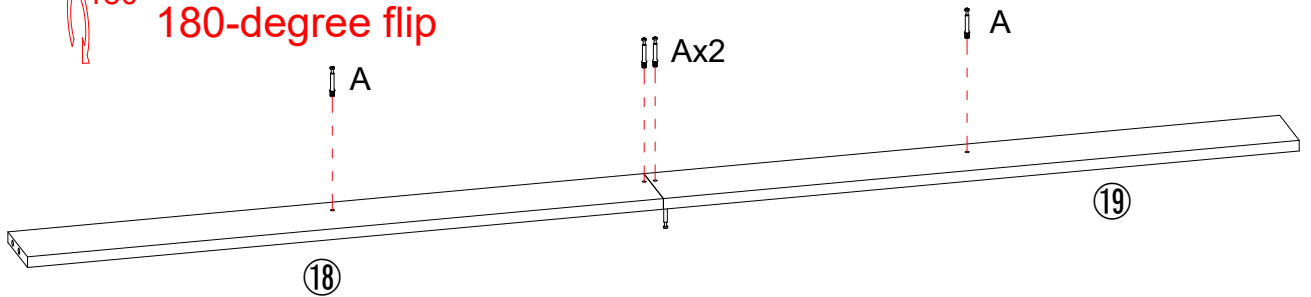


A x 9

STEP 22



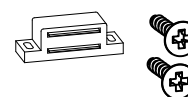
180°
180-degree flip



A x 5



B x 4

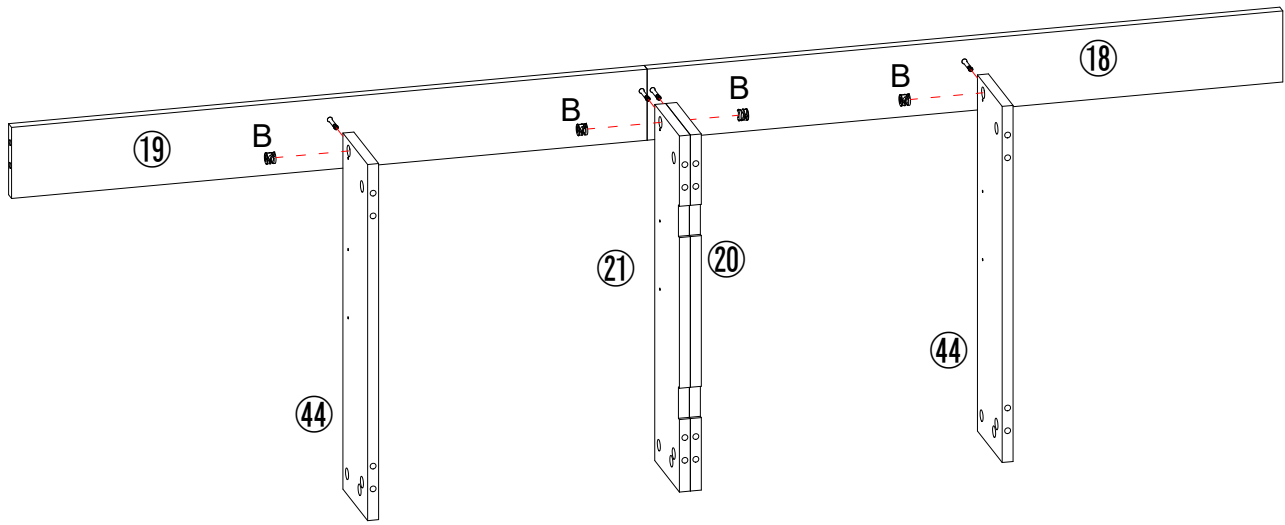


J x 2



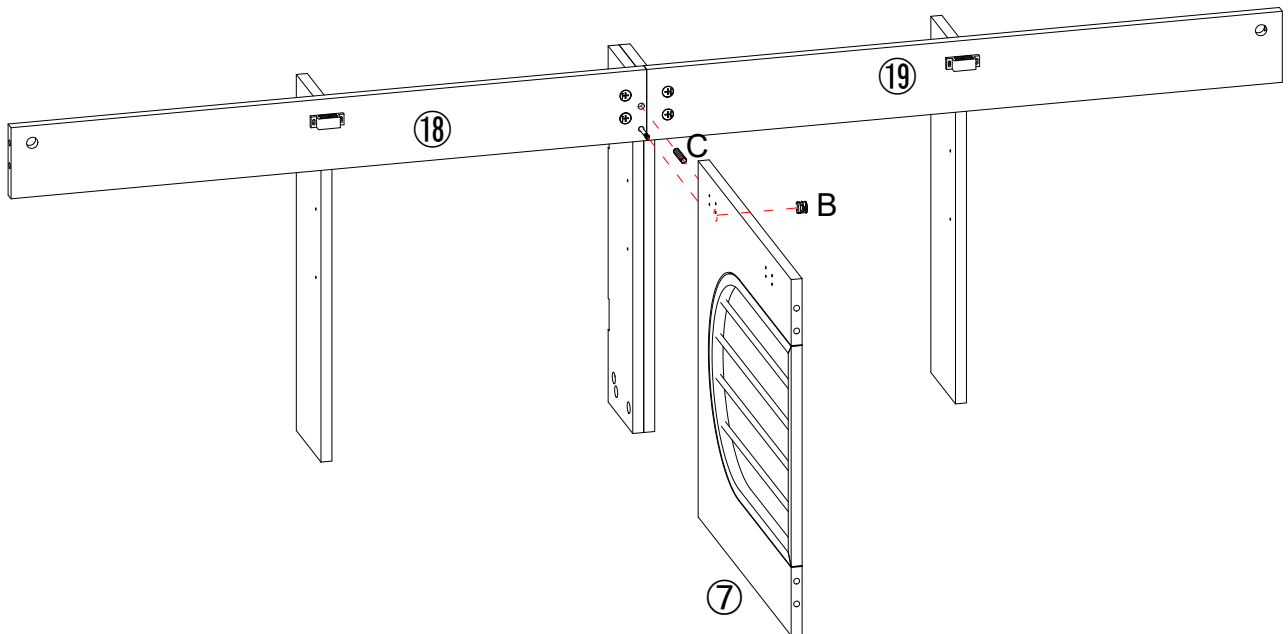
V x 2

STEP 23

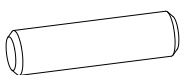


B x 4

STEP 24

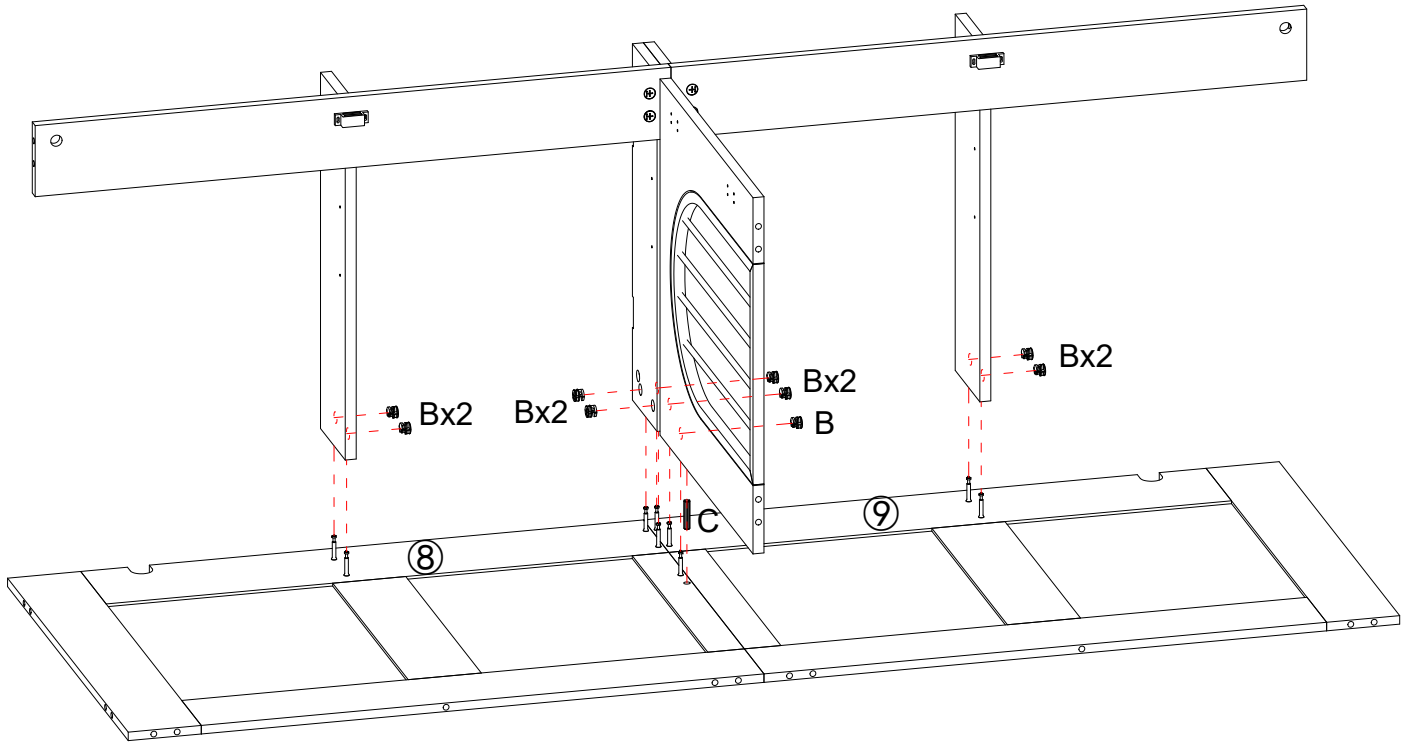




B x 1



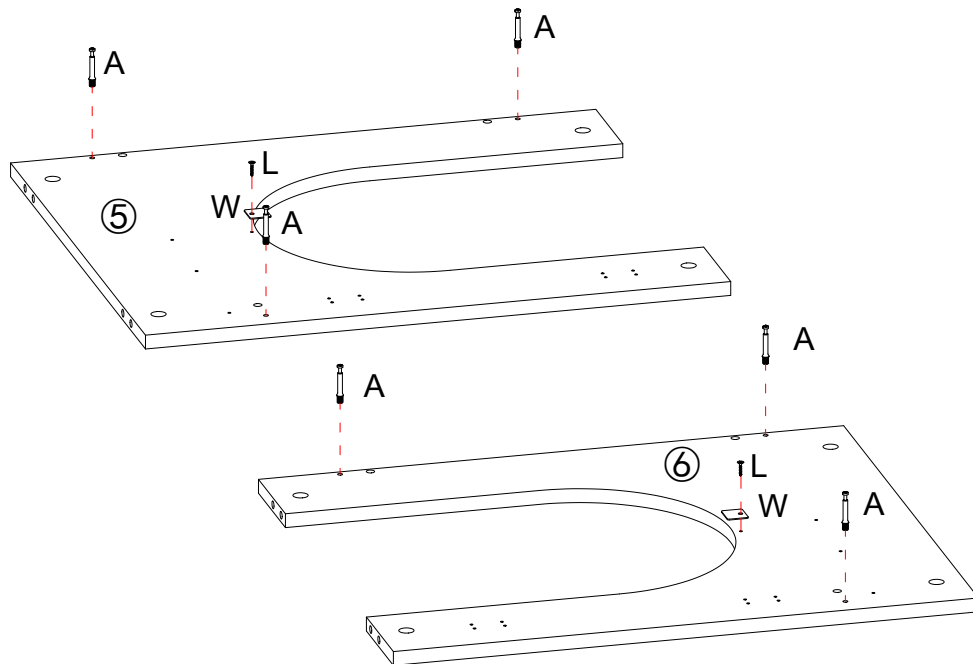
C x 1




STEP 25



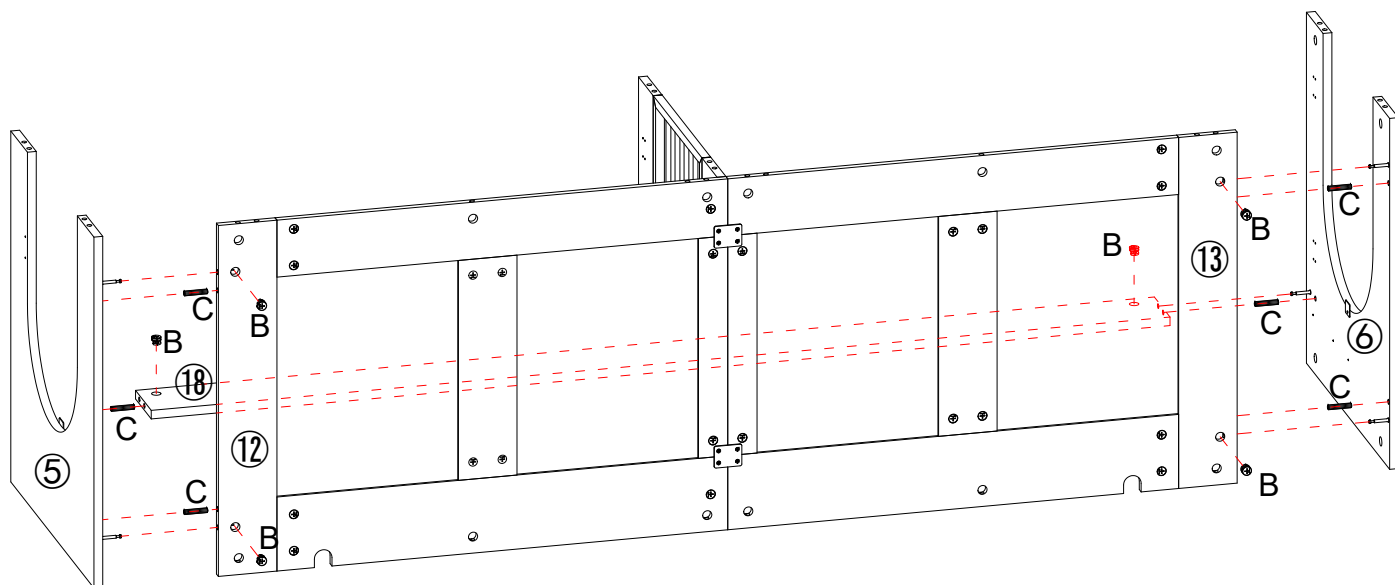
	
B x 9	C x 1



STEP 26



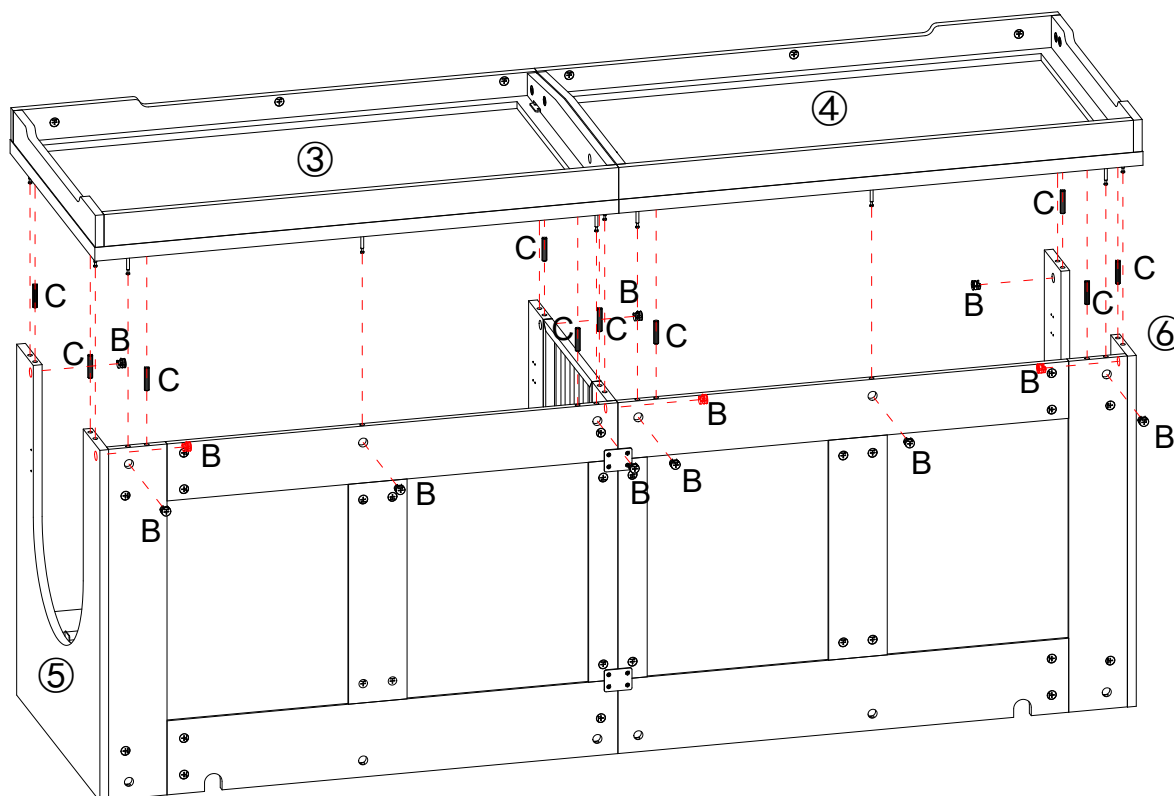
		
A x 6	L x 2	W x 2


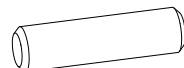
STEP 27



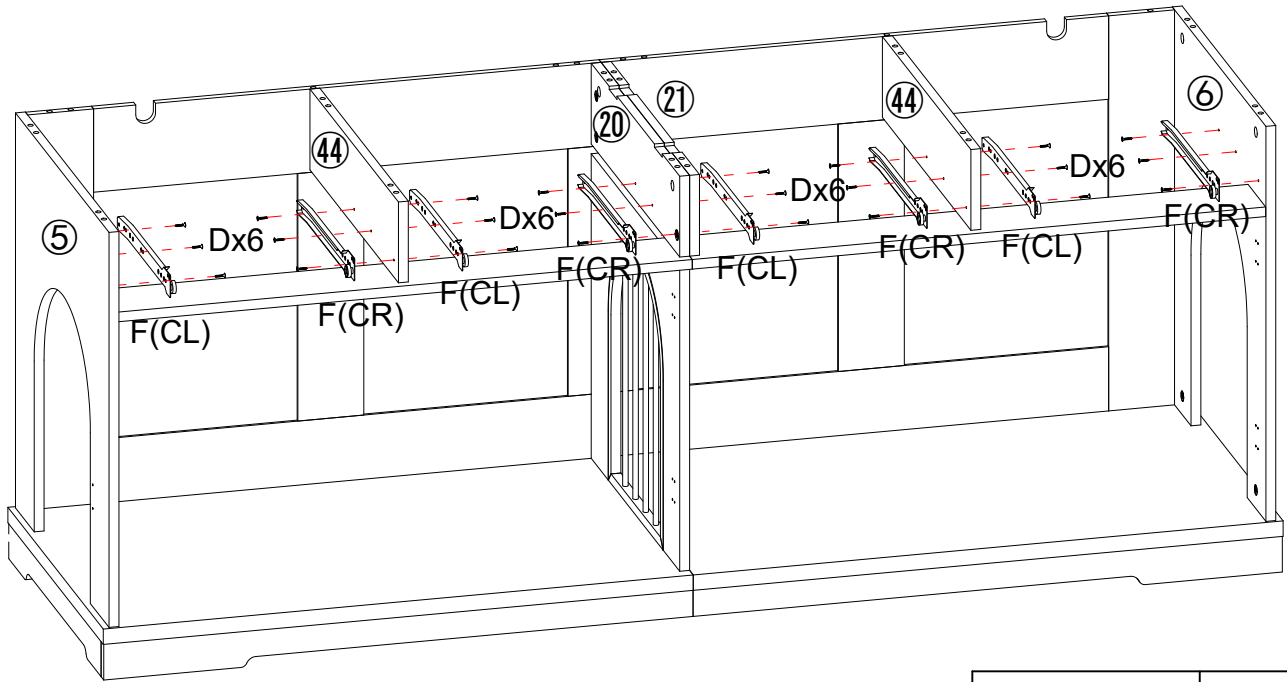
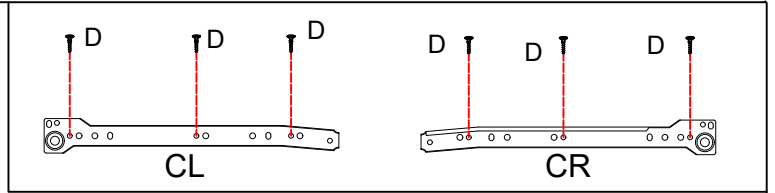
	
B x 6	C x 6

STEP 28



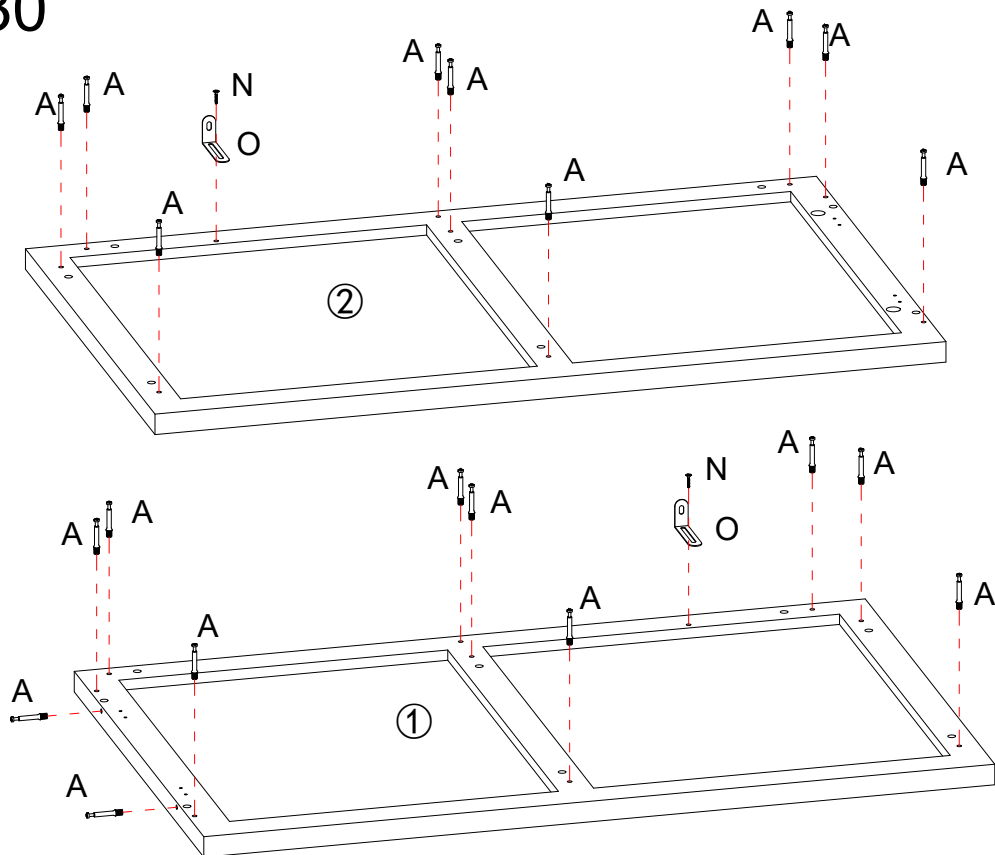
	
B x 12	C x 10

STEP 29



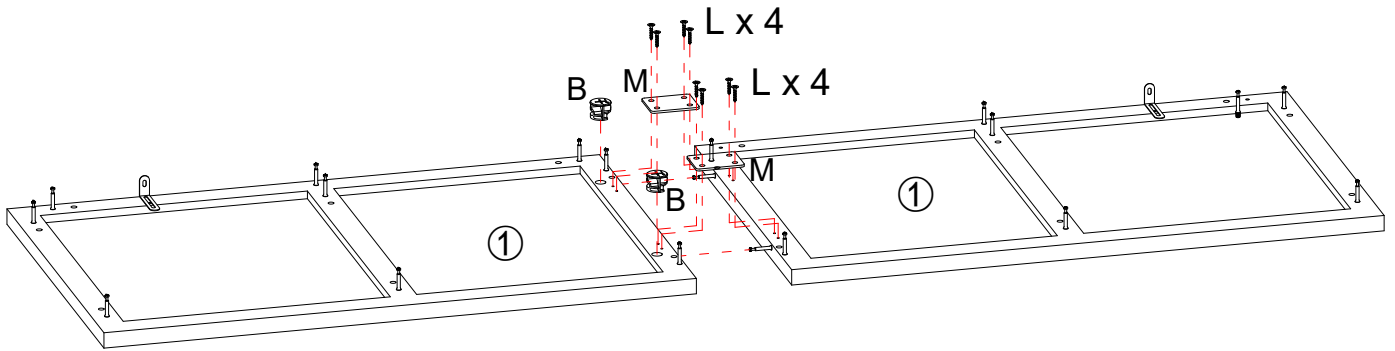
D x 24	F x 4




STEP 30



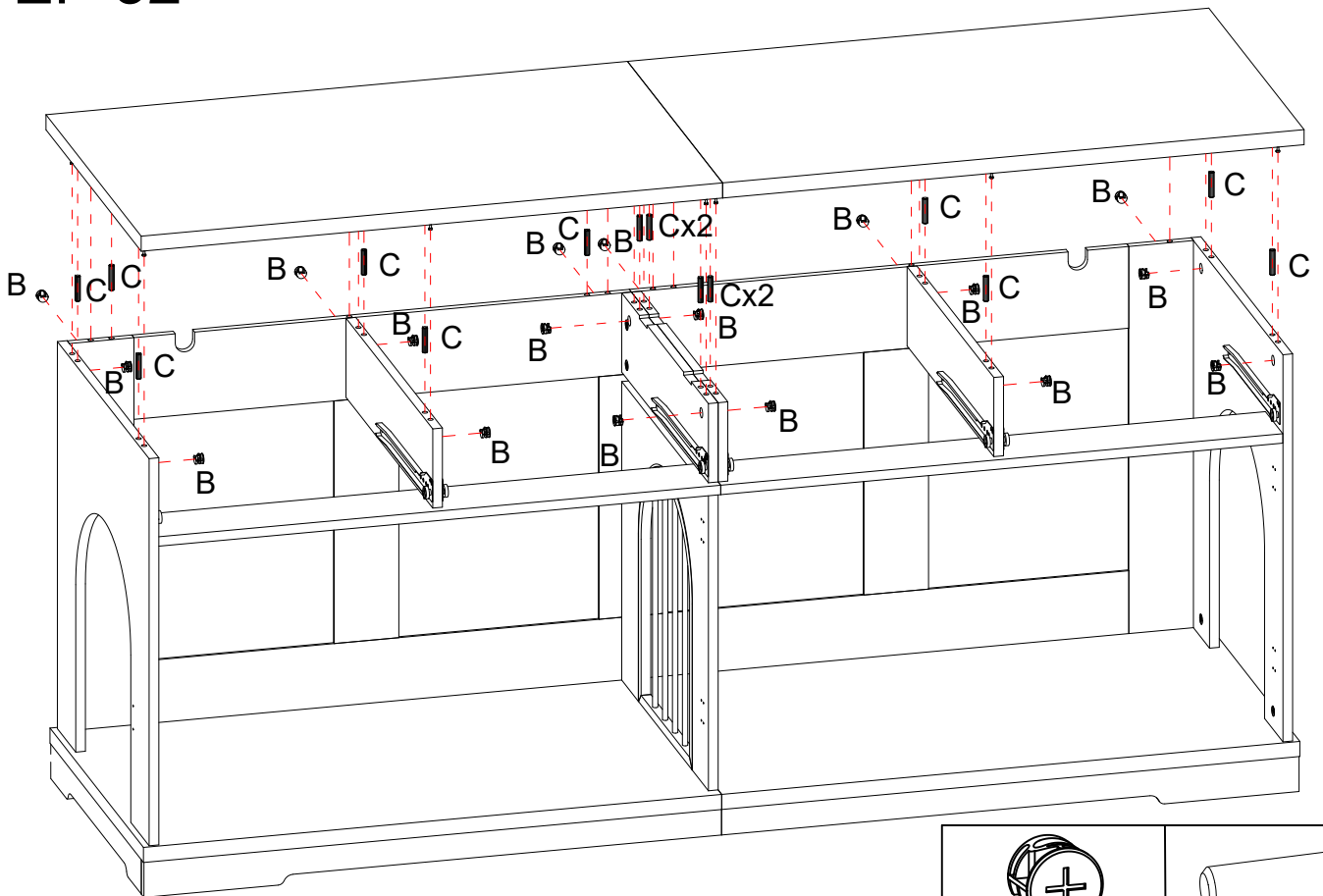
A x 20	N x 2	O x 2



STEP 31



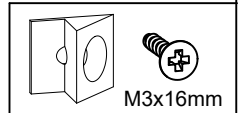
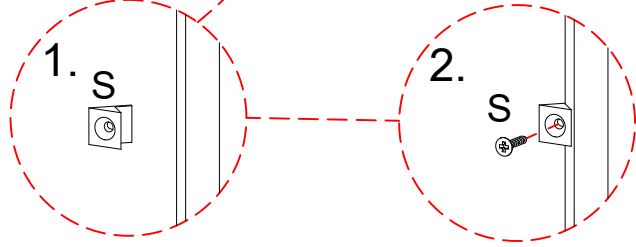
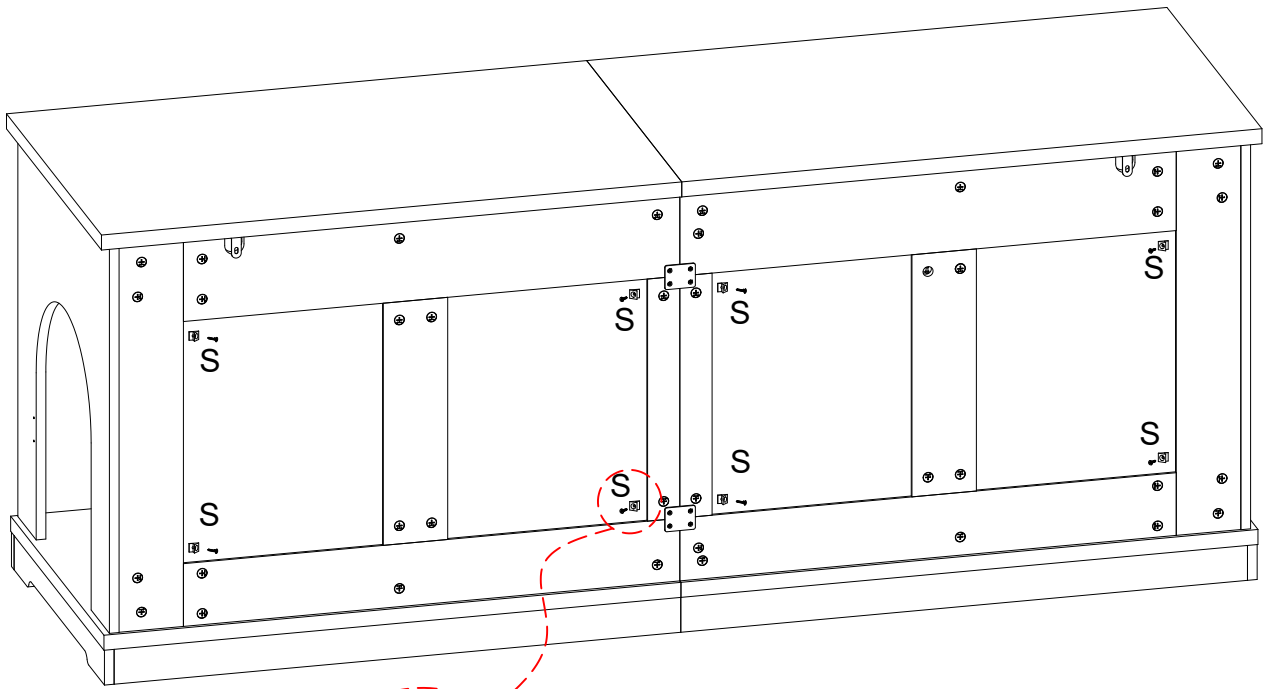
		
B x 2	M x 2	L x 8

STEP 32



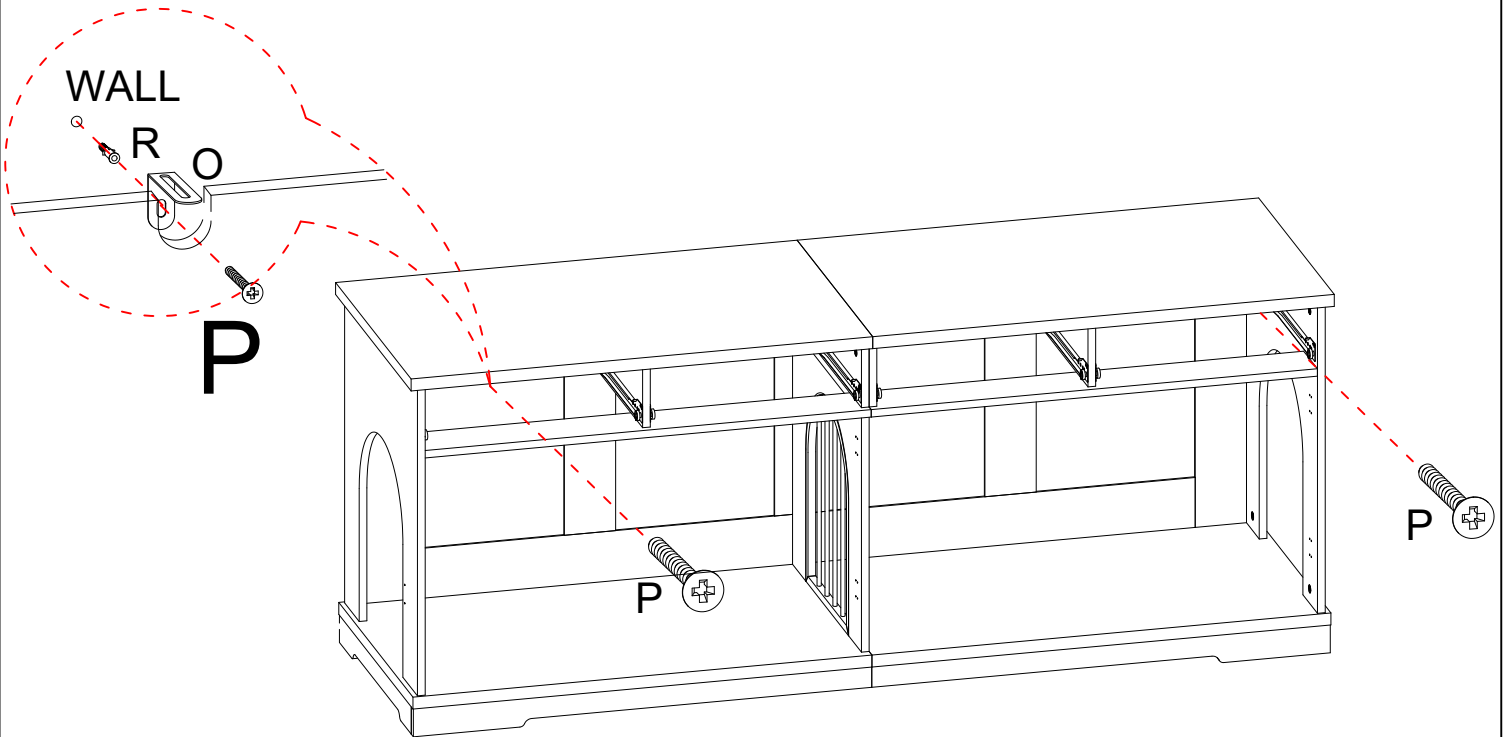
	
B x 18	C x 14

STEP 33



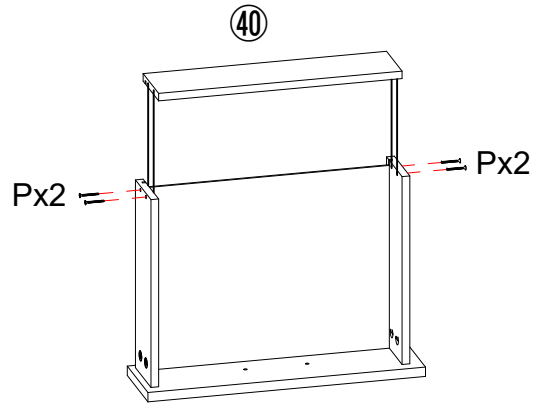
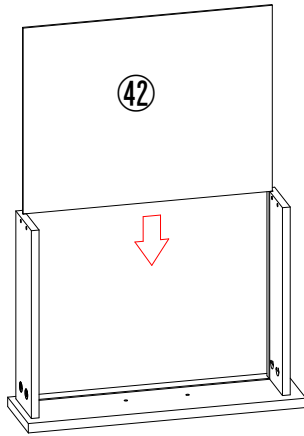
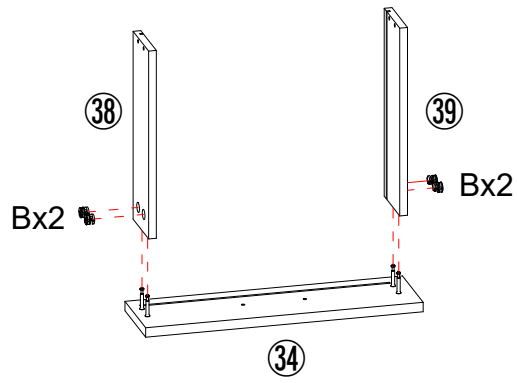
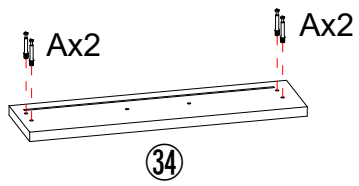
S x 8



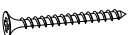
STEP 34



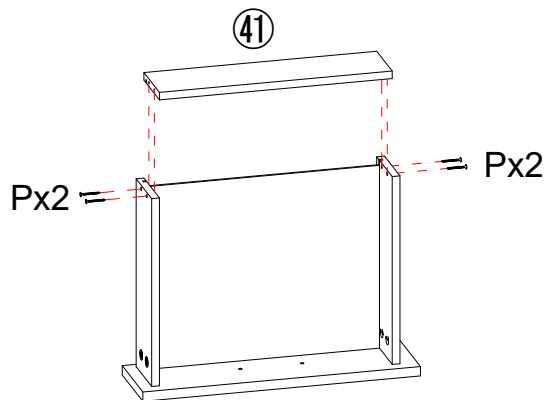
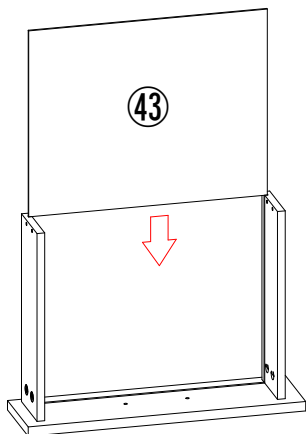
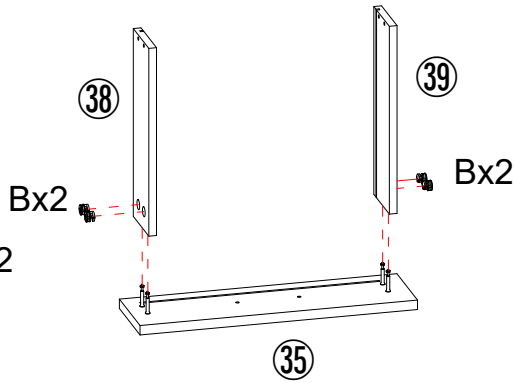
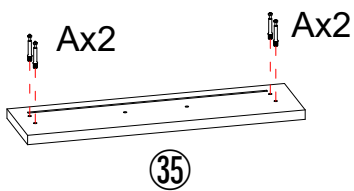
P x 2	R x 2



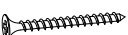
STEP 35



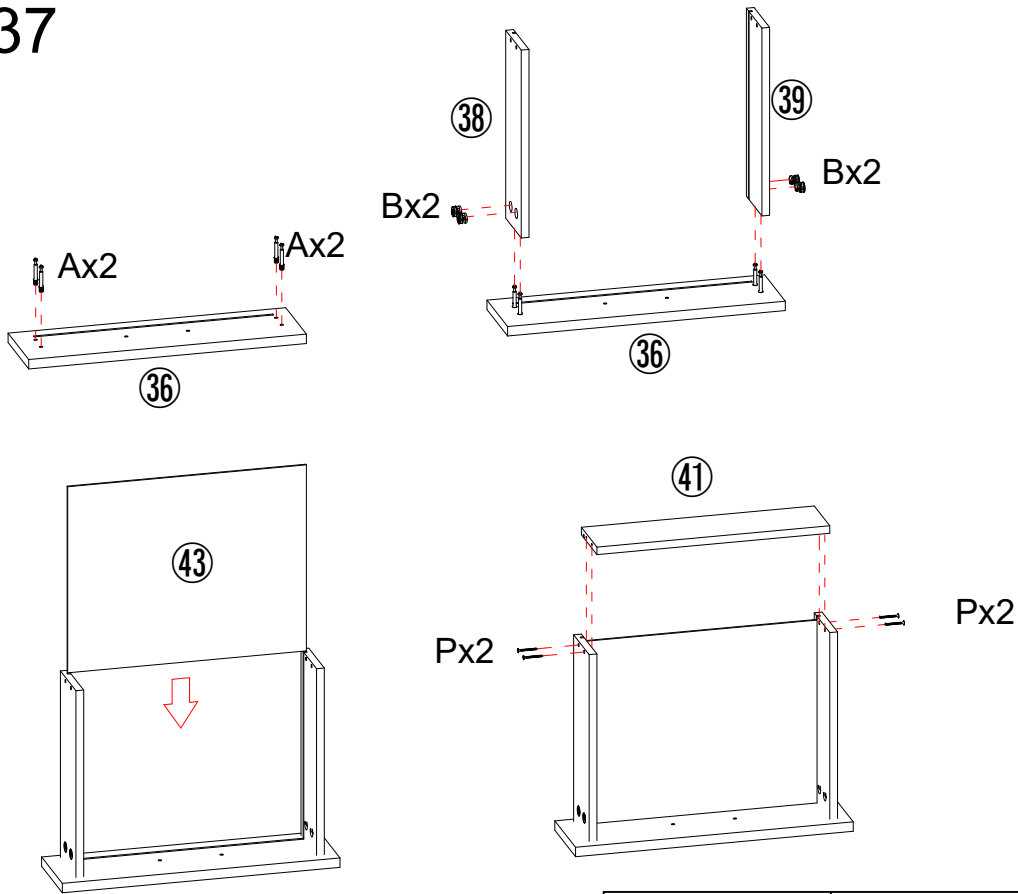
		
A x 4	B x 4	P x 4



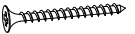
STEP 36



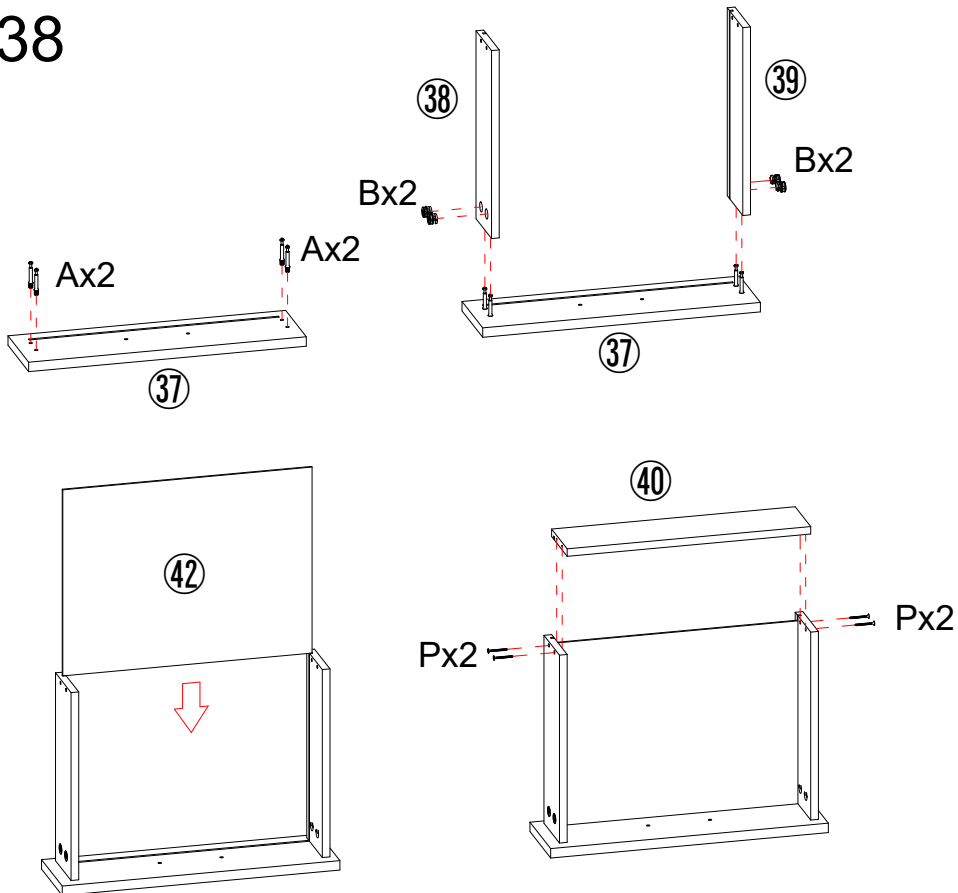
		
A x 4	B x 4	P x 4



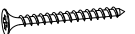
STEP 37



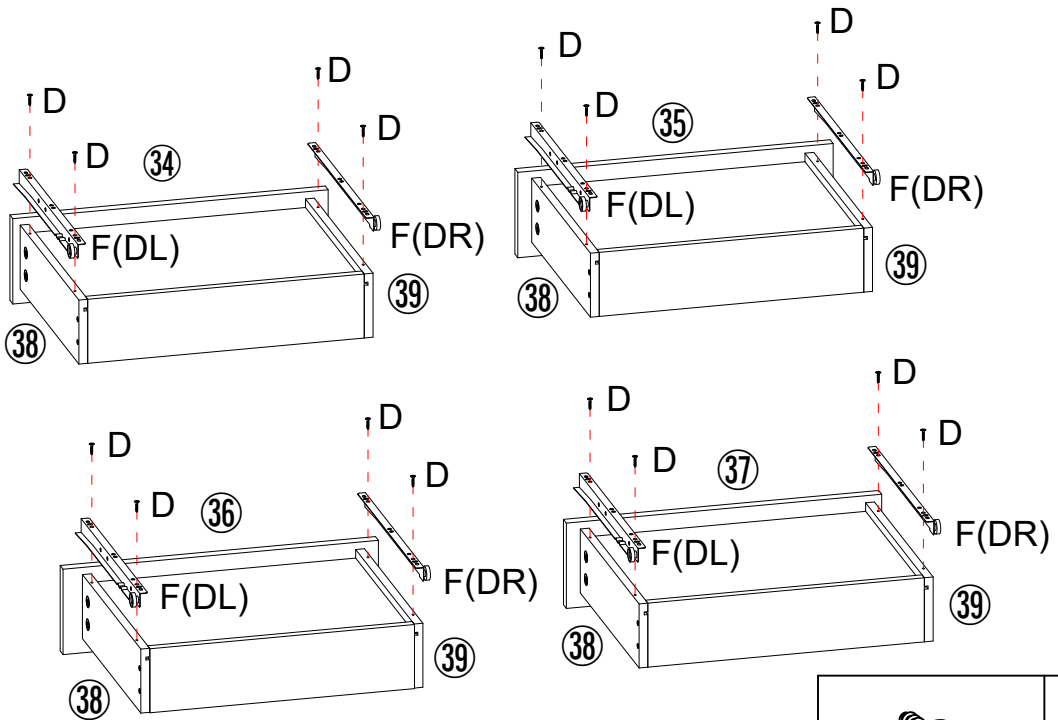
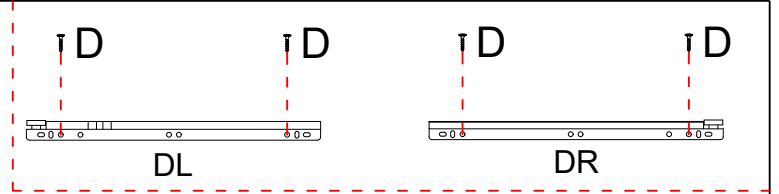
		
A x 4	B x 4	P x 4



STEP 38



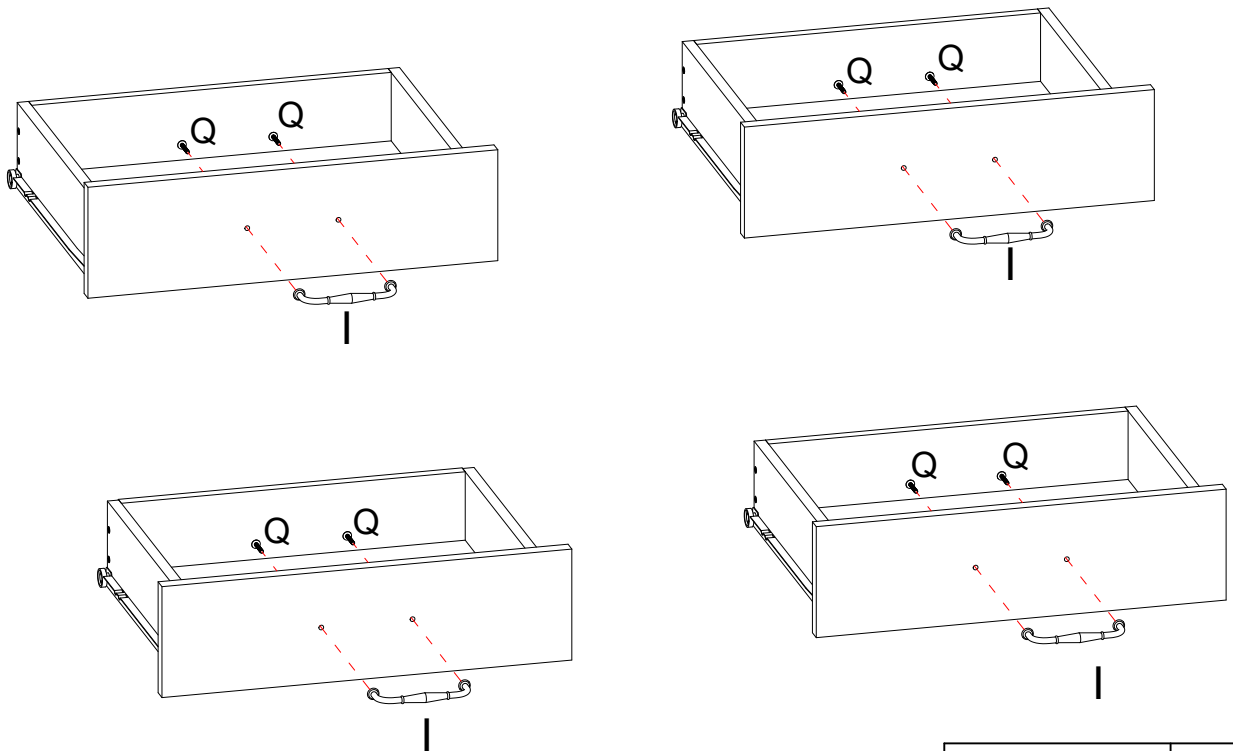
		
A x 4	B x 4	P x 4


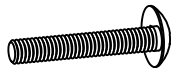
STEP 39



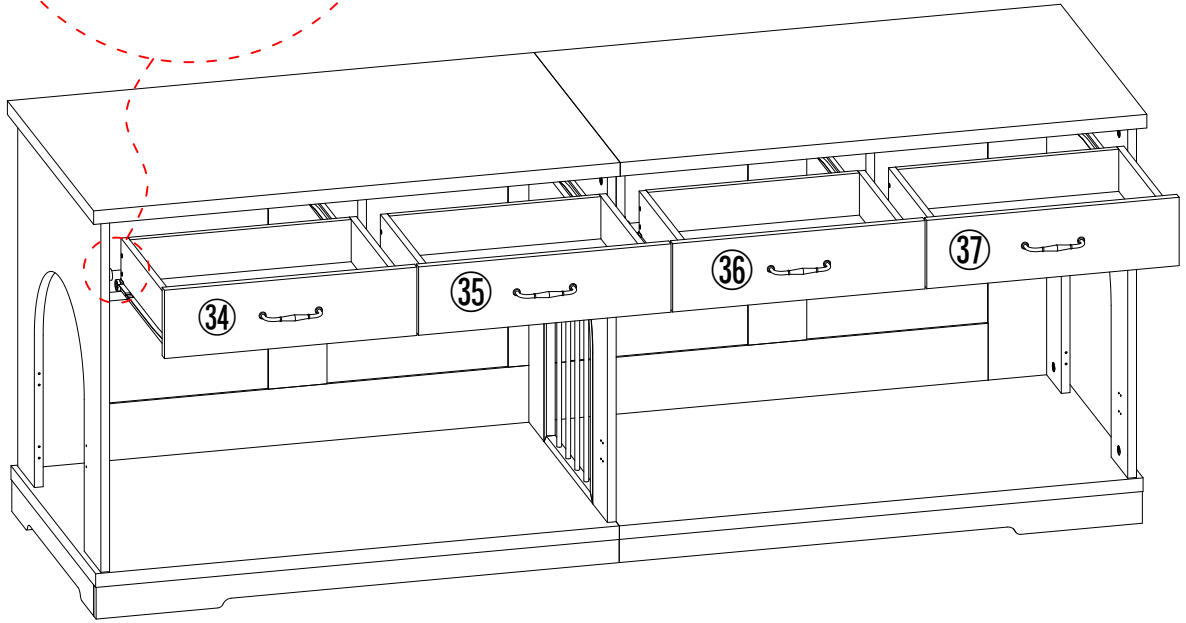
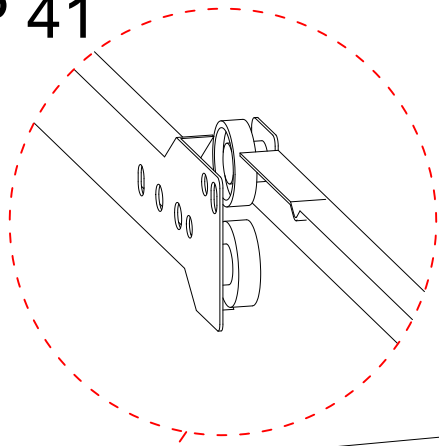
	
D x 16	F x 4

STEP 40

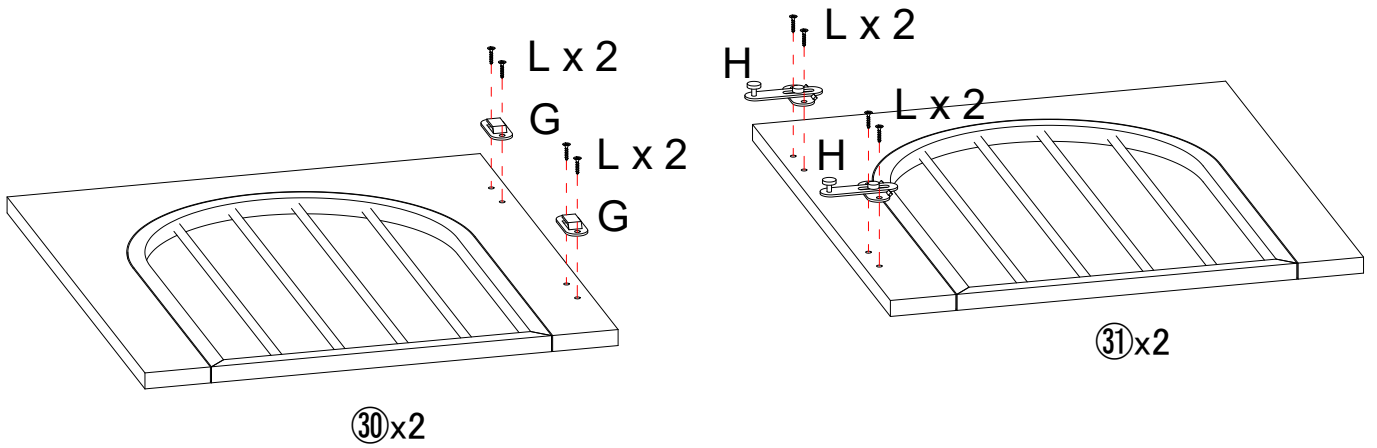


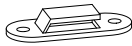


	
I x 4	Q x 8

STEP 41

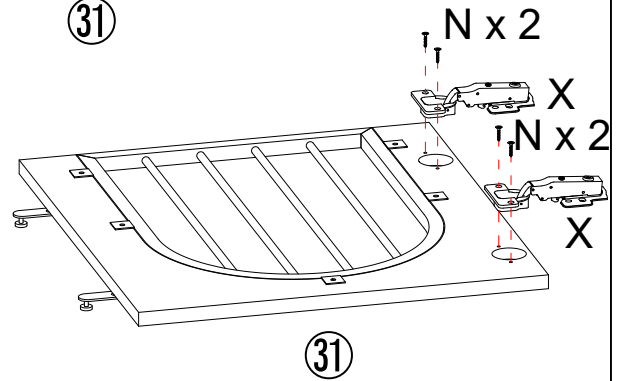
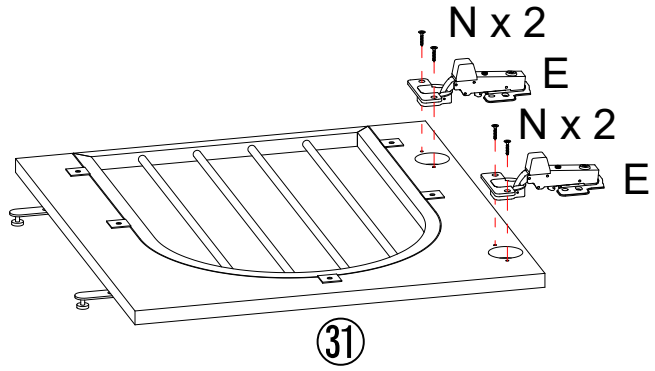
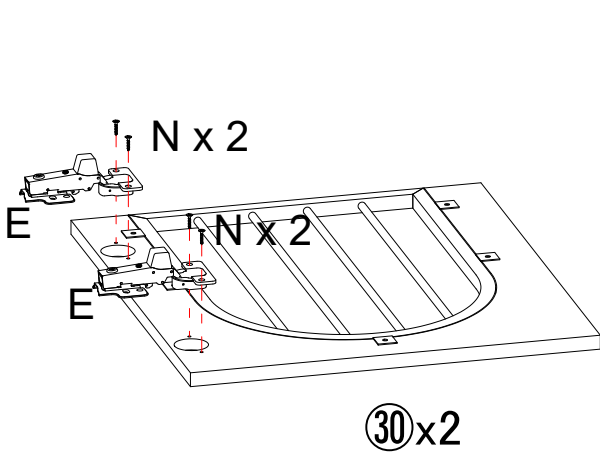





STEP 42



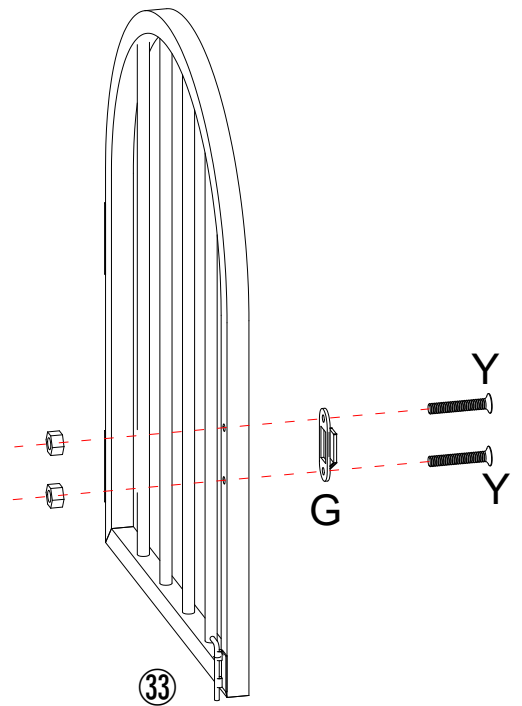
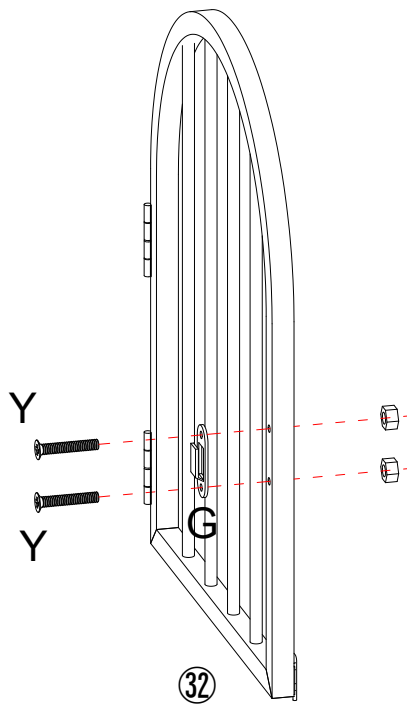
		
G x 4	H x 4	L x 16



STEP 43



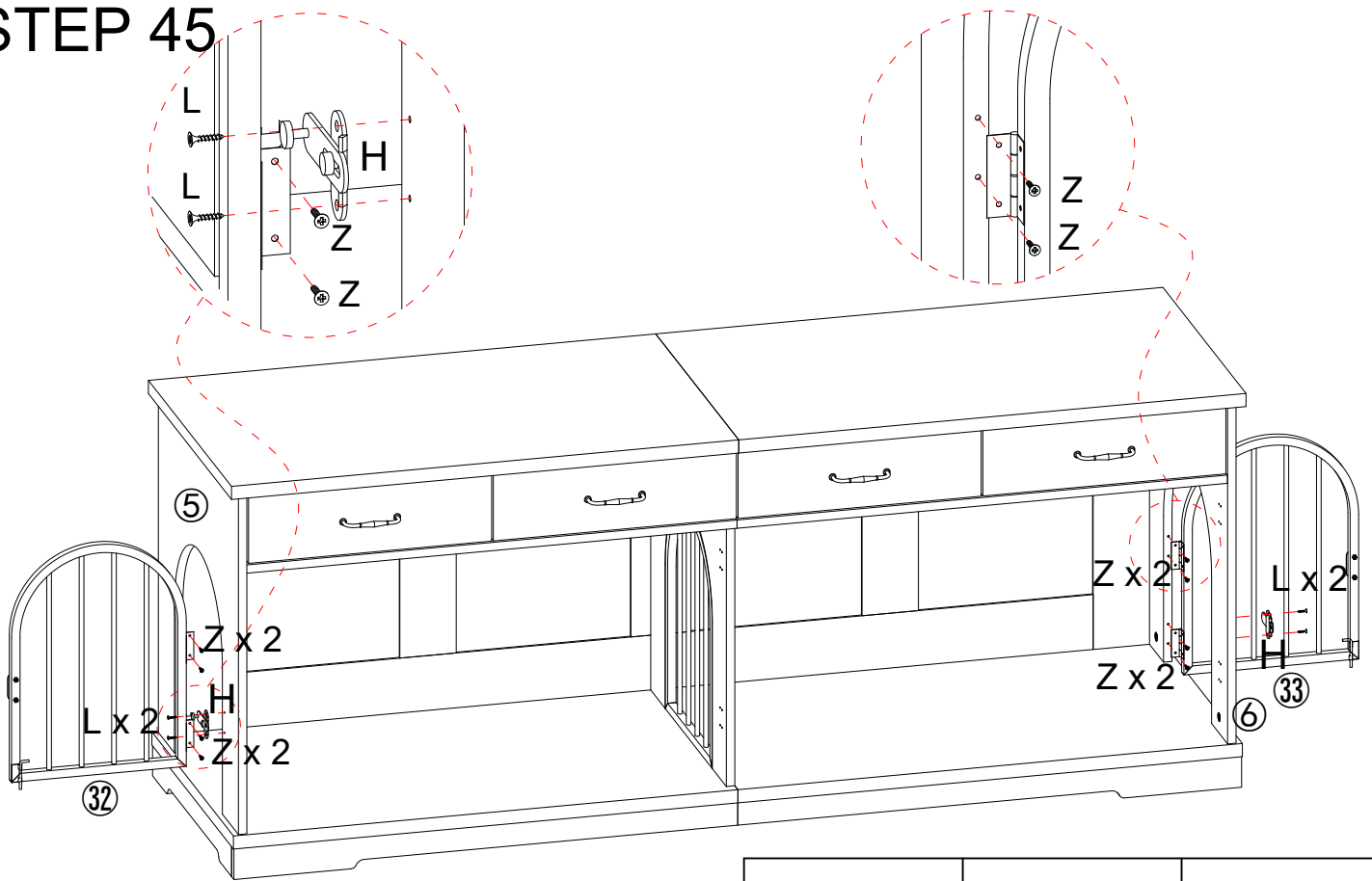
		
E x 6	N x 16	X x 2

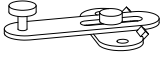


STEP 44



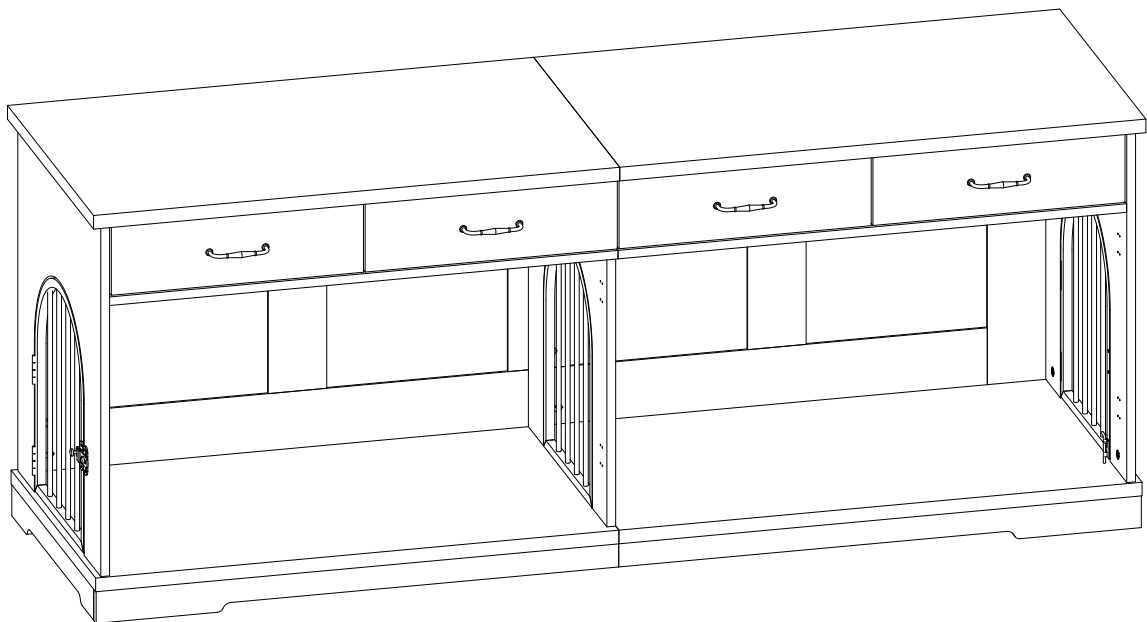
	
G x 2	Y x 4

STEP 45

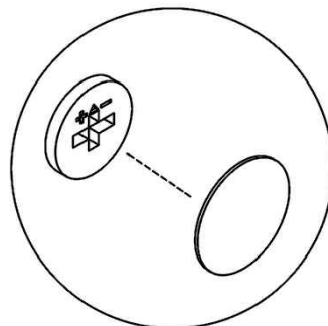


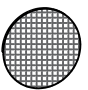
		
H x 2	L x 4	Z x 8

STEP 46



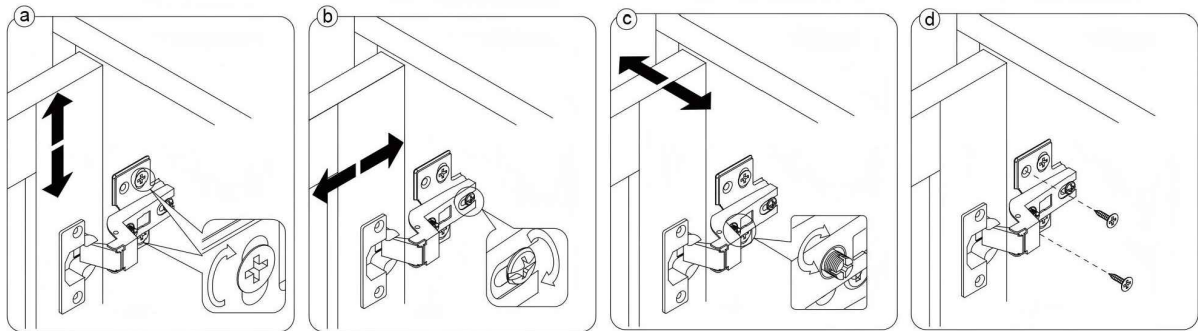
Attach accessory T to the hole of accessory B.




T x 7pcs

STEP 47

When the hinges are installed, you can refer to the pictures to adjust crevice of the doors till it's perfect:



1. To adjust the doors up and down, please refer to step (a)
2. To adjust the distance between the doors and side panels, please refer to step (b)
3. To adjust the gap between two doors, please refer to step (c)
4. After the adjustment finished, please tight the screws, refer to step (d)

