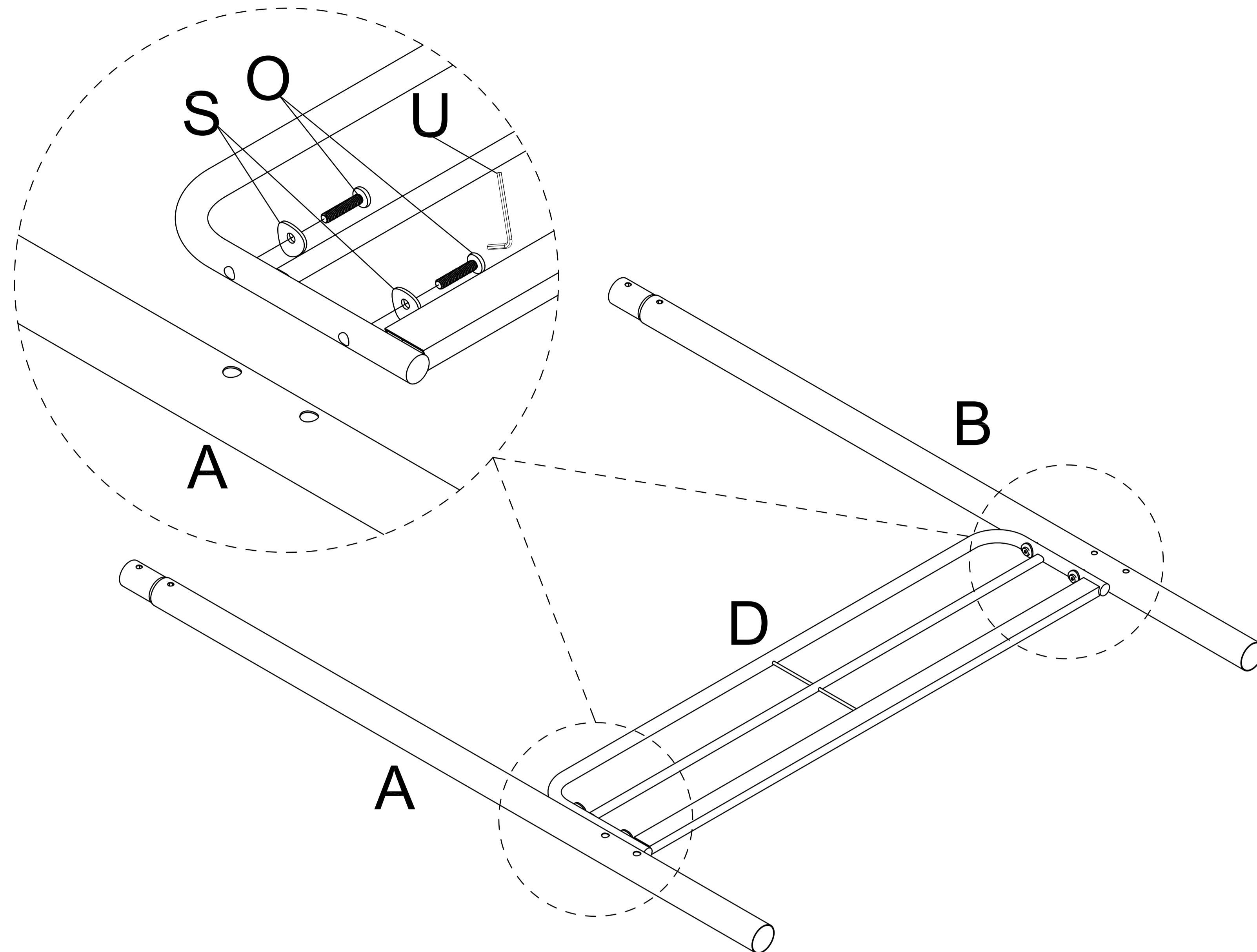


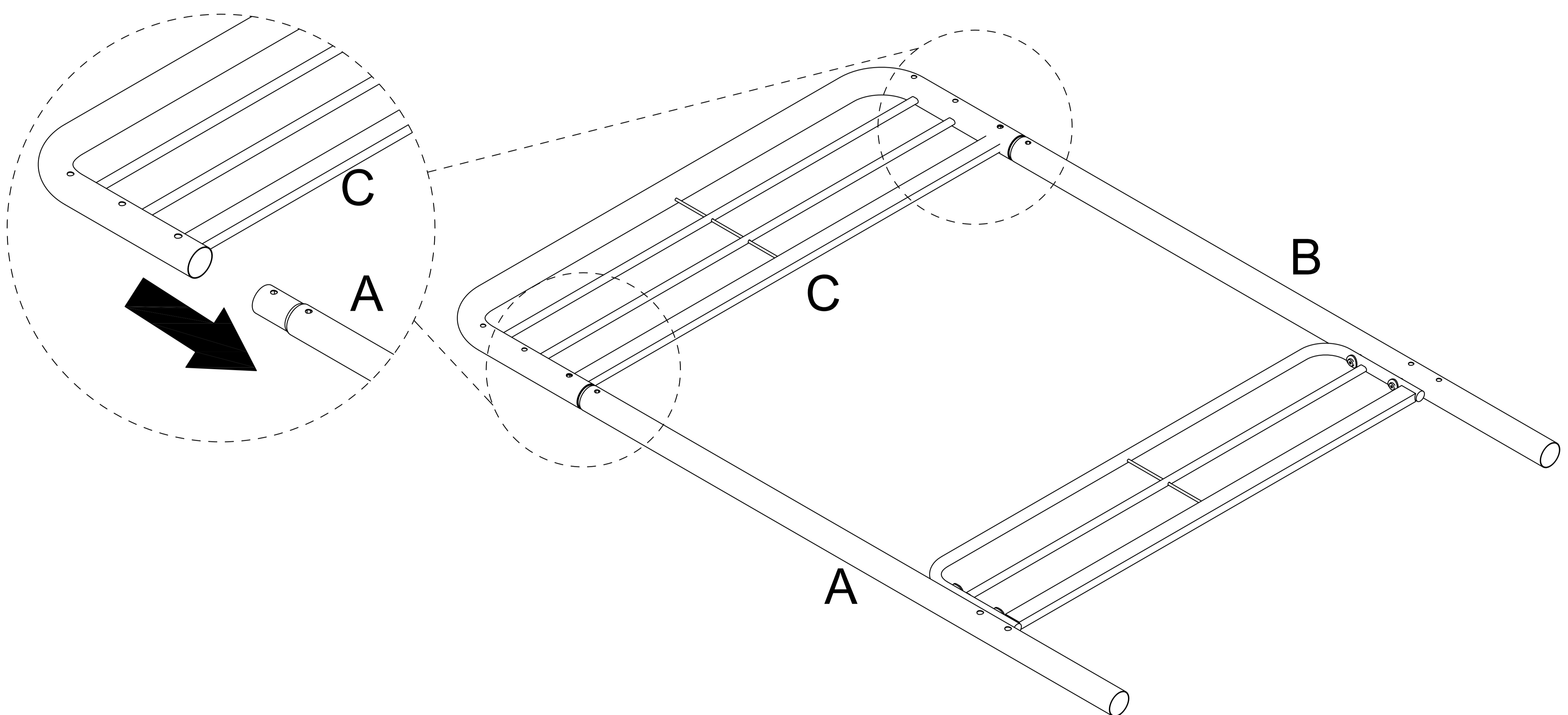


**1**

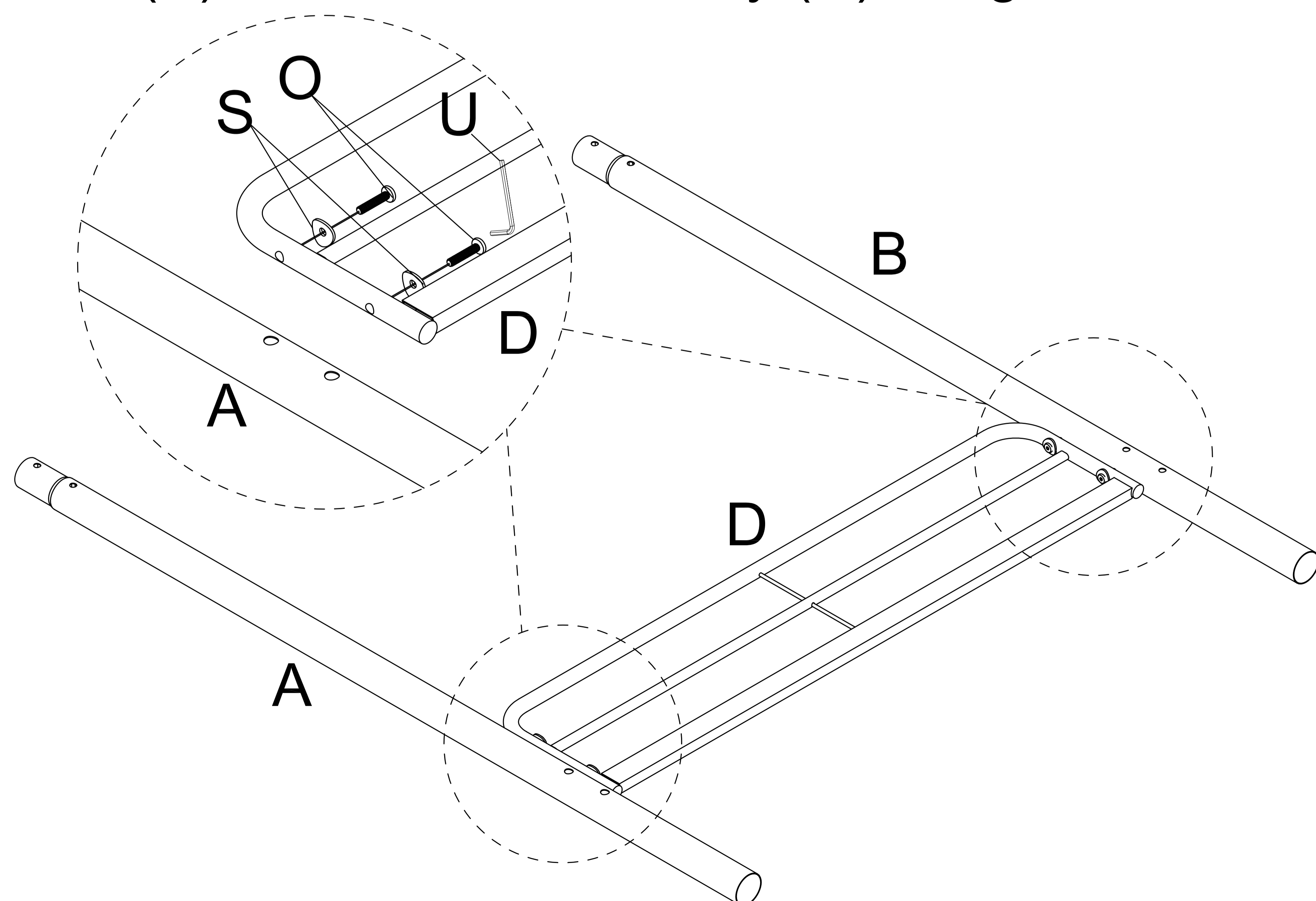
Attach Guardrail (D) into the Post (A) and Post (B), insert the Bolt (O) and the Washer (S), turn the L-Allen Key (U) to tighten them.

**2**

Insert the Guardrail (C) to the Post (A) and Post (B).

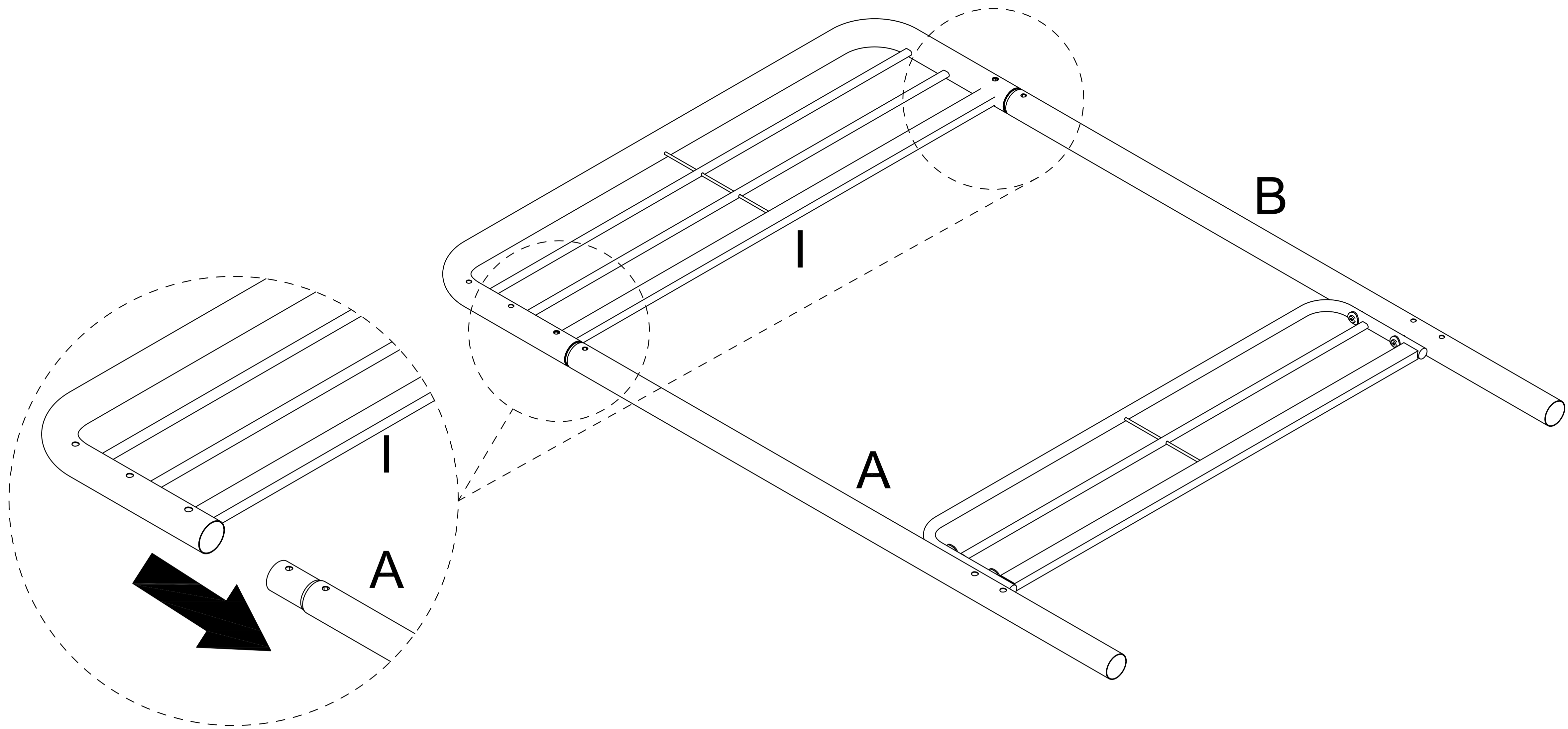
**3**

Attach the Guardrail (D) into the Post (A) and Post (B), insert the Bolt (O) and the Washer (S), turn the L-Allen Key (U) to tighten them.

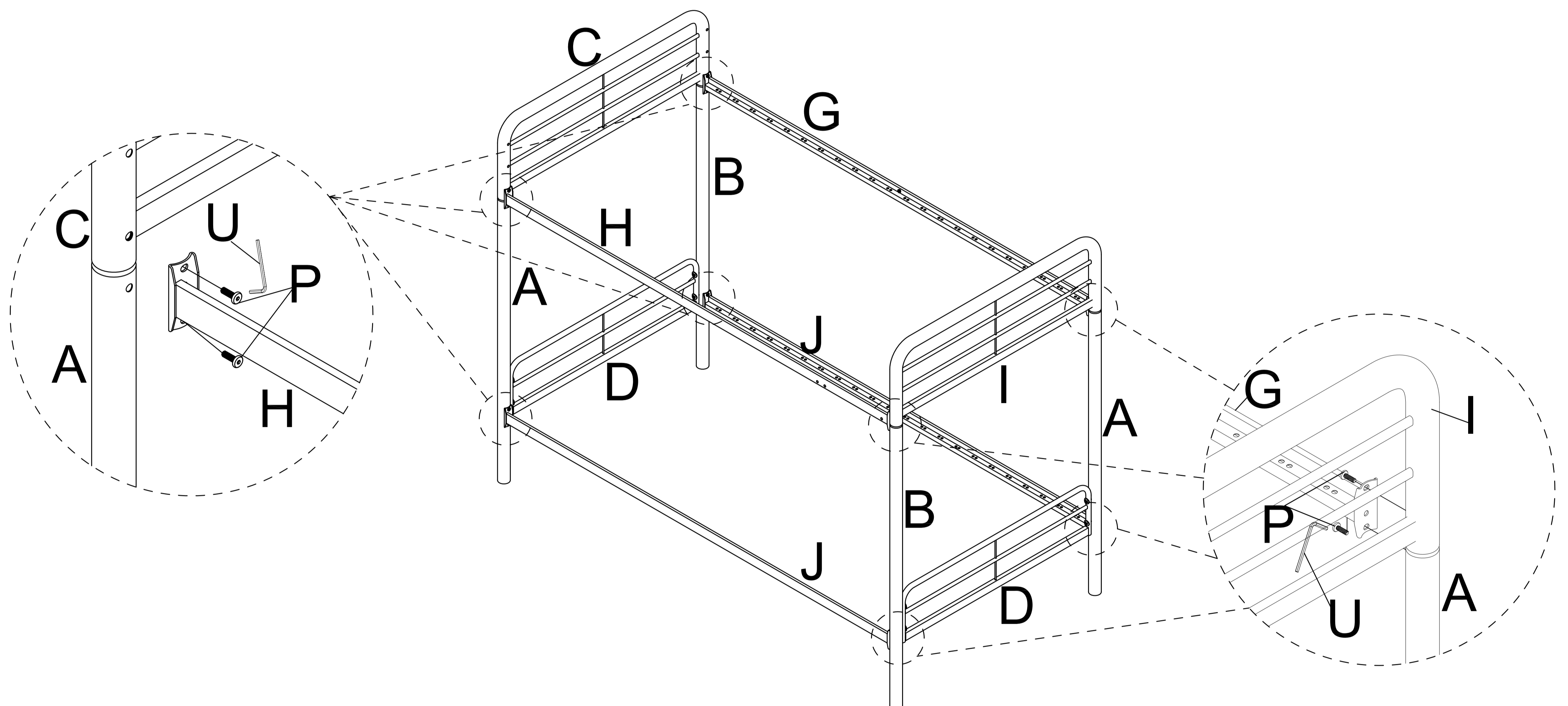


**4**

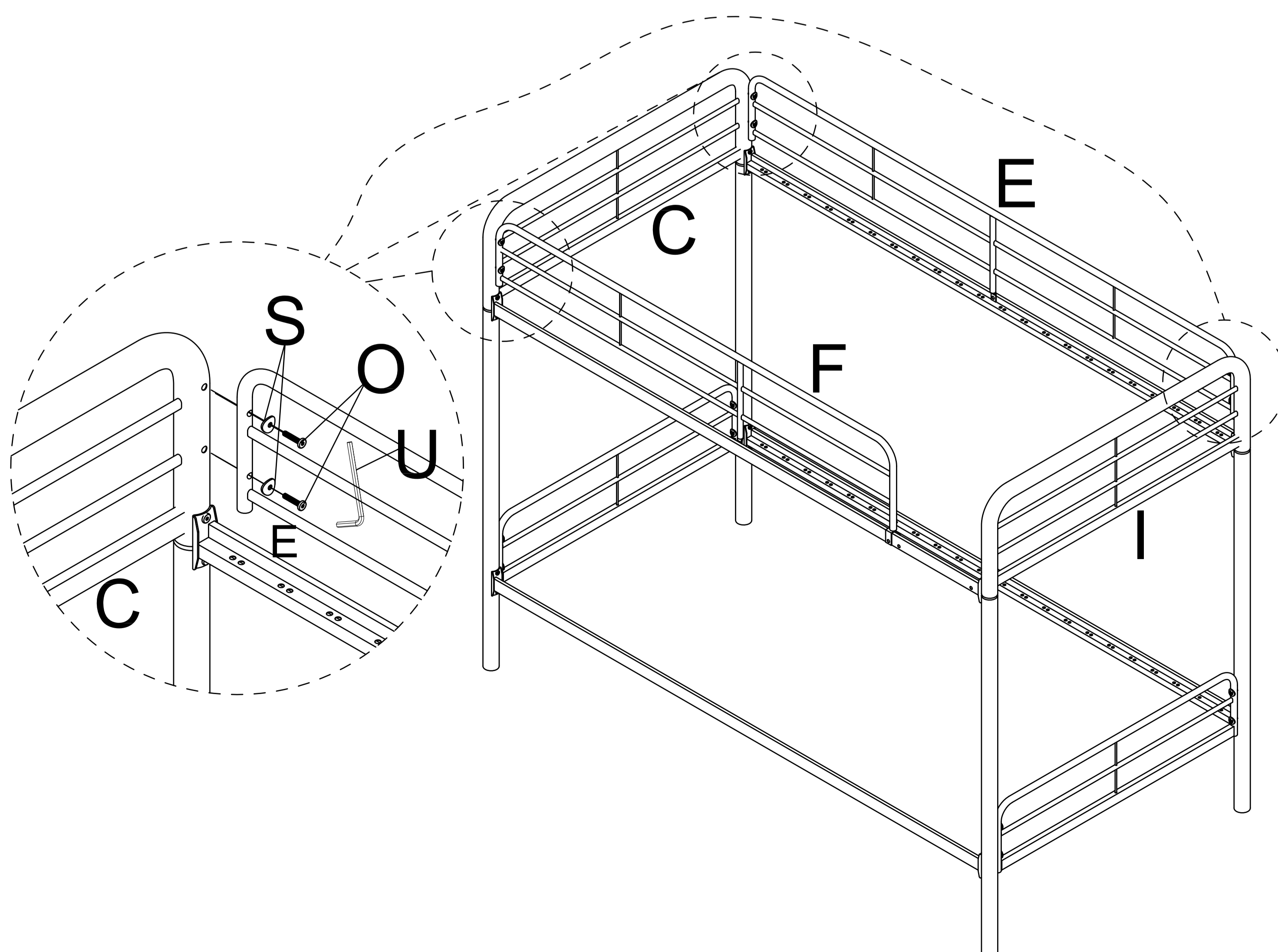
Insert the Guardrail (I) into the Post (A) and Post (B).

**5**

Attach the Lower Rail (J) to the Posts (A) and (B), insert the Bolt (P) and turn the L-Allen Key (U) to tighten them. Attach the Upper Front Rail (H) and Upper Rear Rail (G) to the Posts (A) and (B), Guardrails (C) and (I), insert the Bolt (P) and turn the L-Allen Key (U) to tighten them.

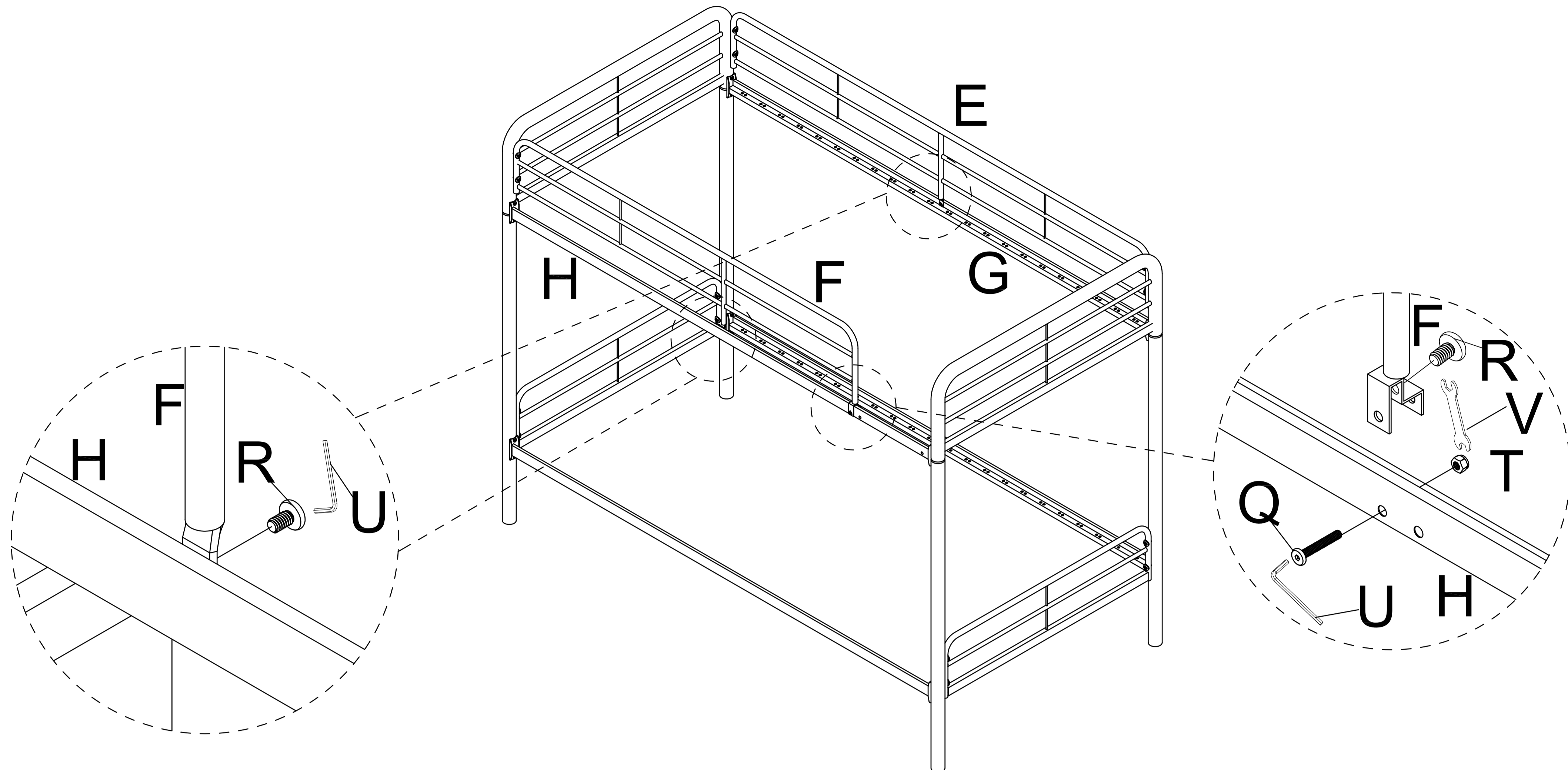
**6**

Attach the Guardrail (E) and Guardrail (F) to the Guardrail (C) and Guardrail (I), insert the Bolt (O) and the Washer (S), turn the L-Allen Key (U) to tighten them.

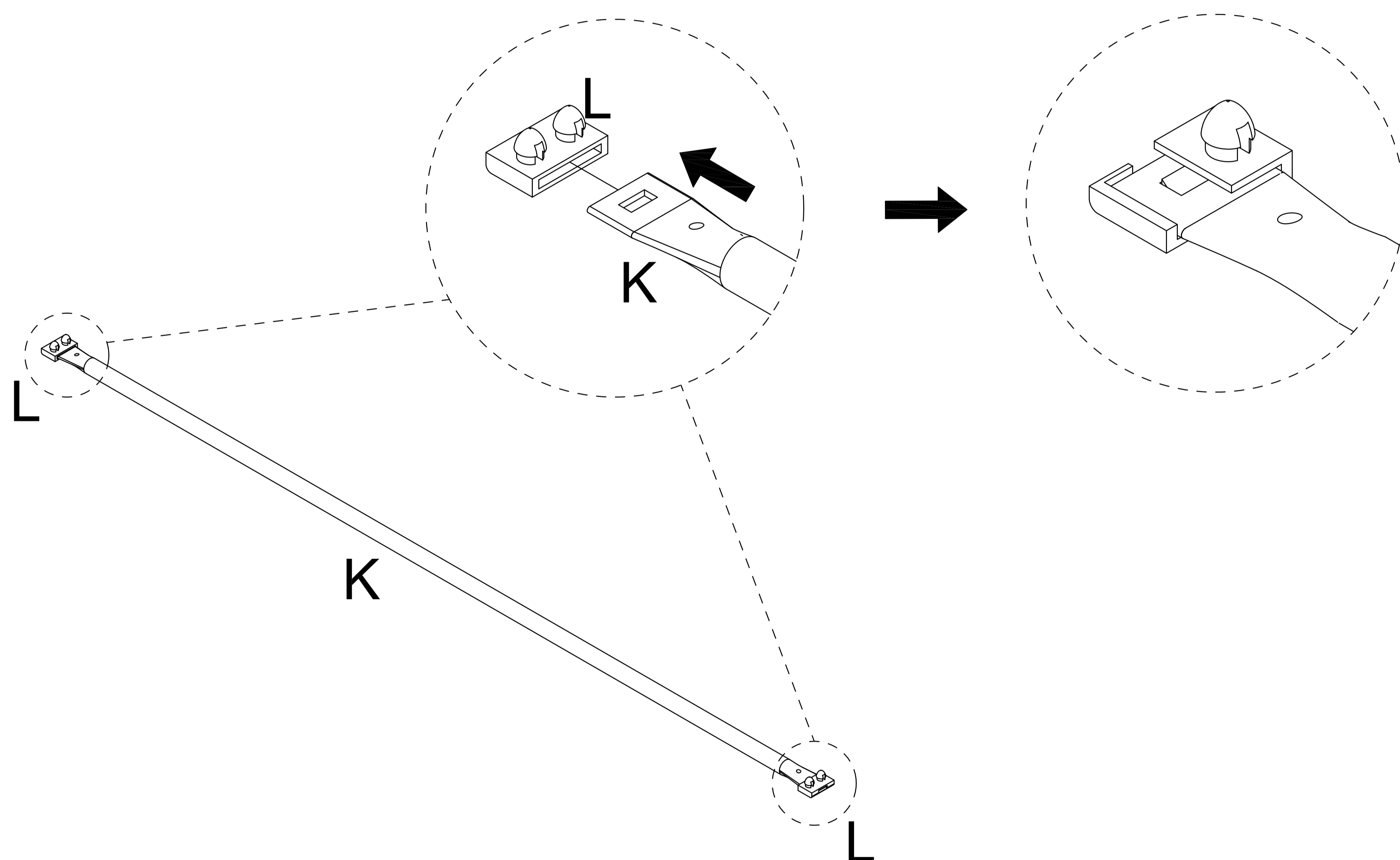


**7**

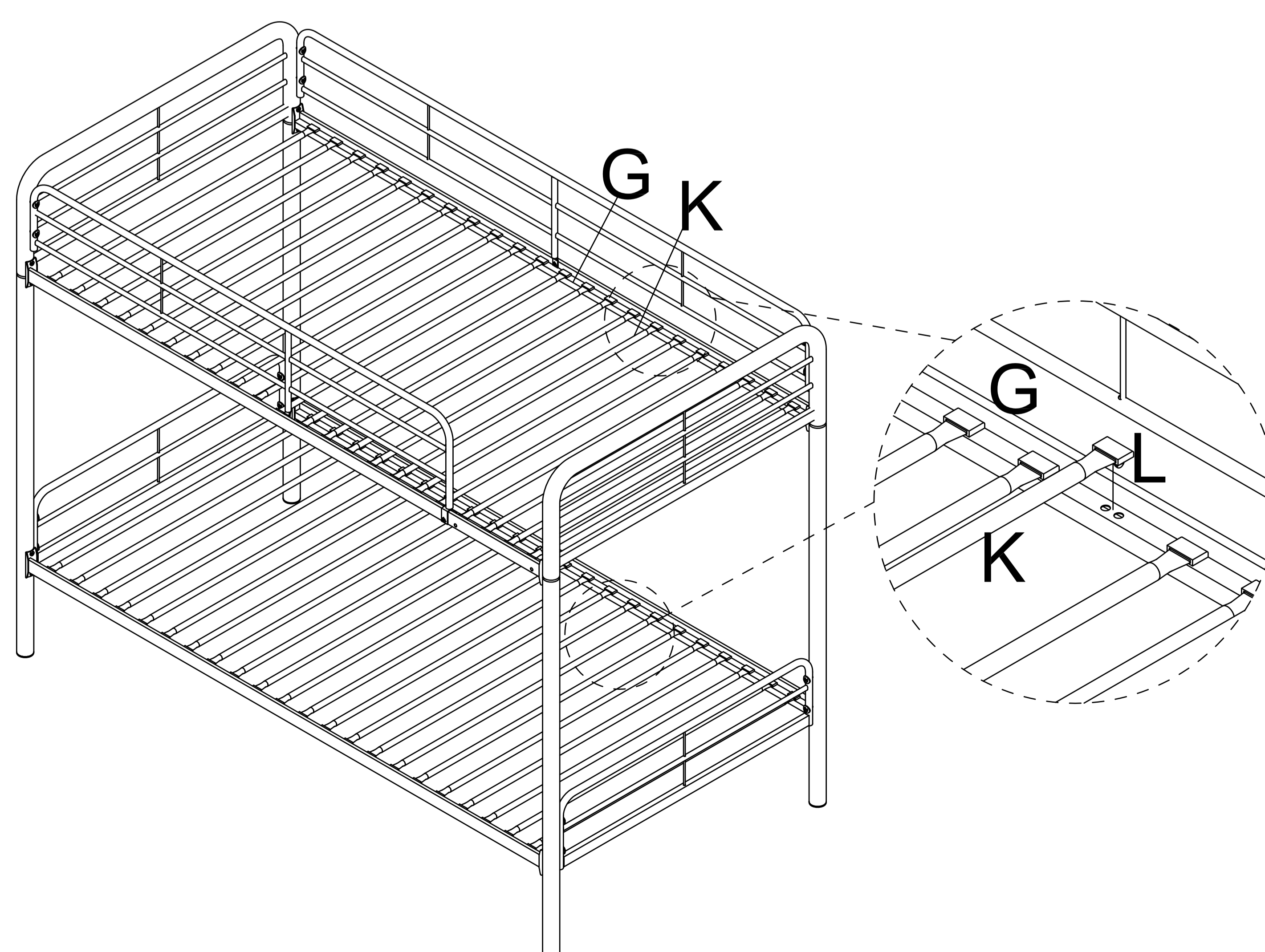
Attach the Guardrail (F) and Guardrail (E) to Upper Front Rail (H) and Upper Rear Rail (G), insert the Bolt (Q) and the Nut (T), turn the L-Allen Key (U) and the Wrench (V) to tighten them. And insert the Bolt (R), turn the L-Allen Key (U) to tighten them.

**8**

Insert the Slat Connector (L) to the both sides of Slat (K), press the Slat (K) into the correct place.

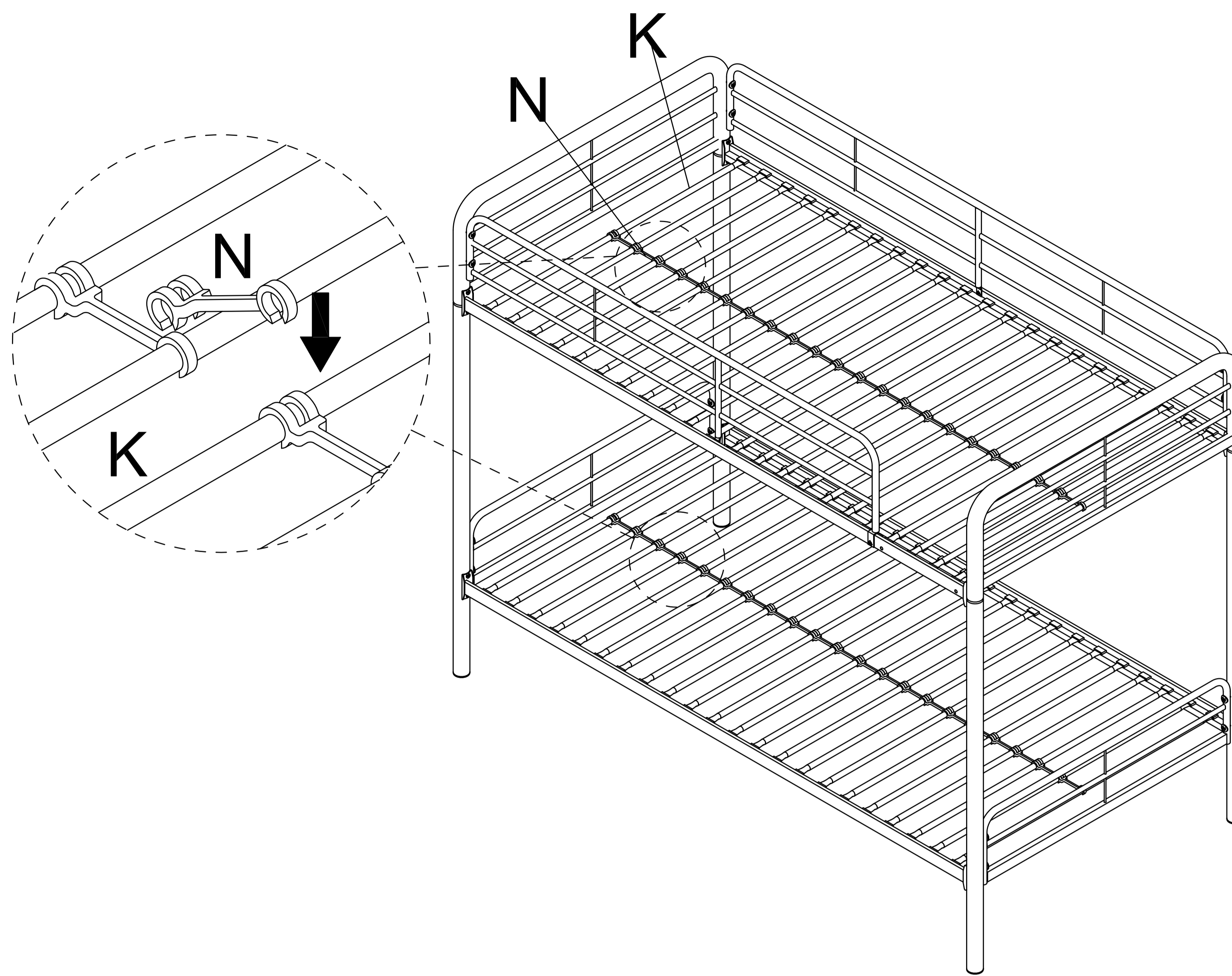
**9**

Attach the assembled Slats (K) to the upper and lower rails, insert the Slat Connector (L) into the correct holes.

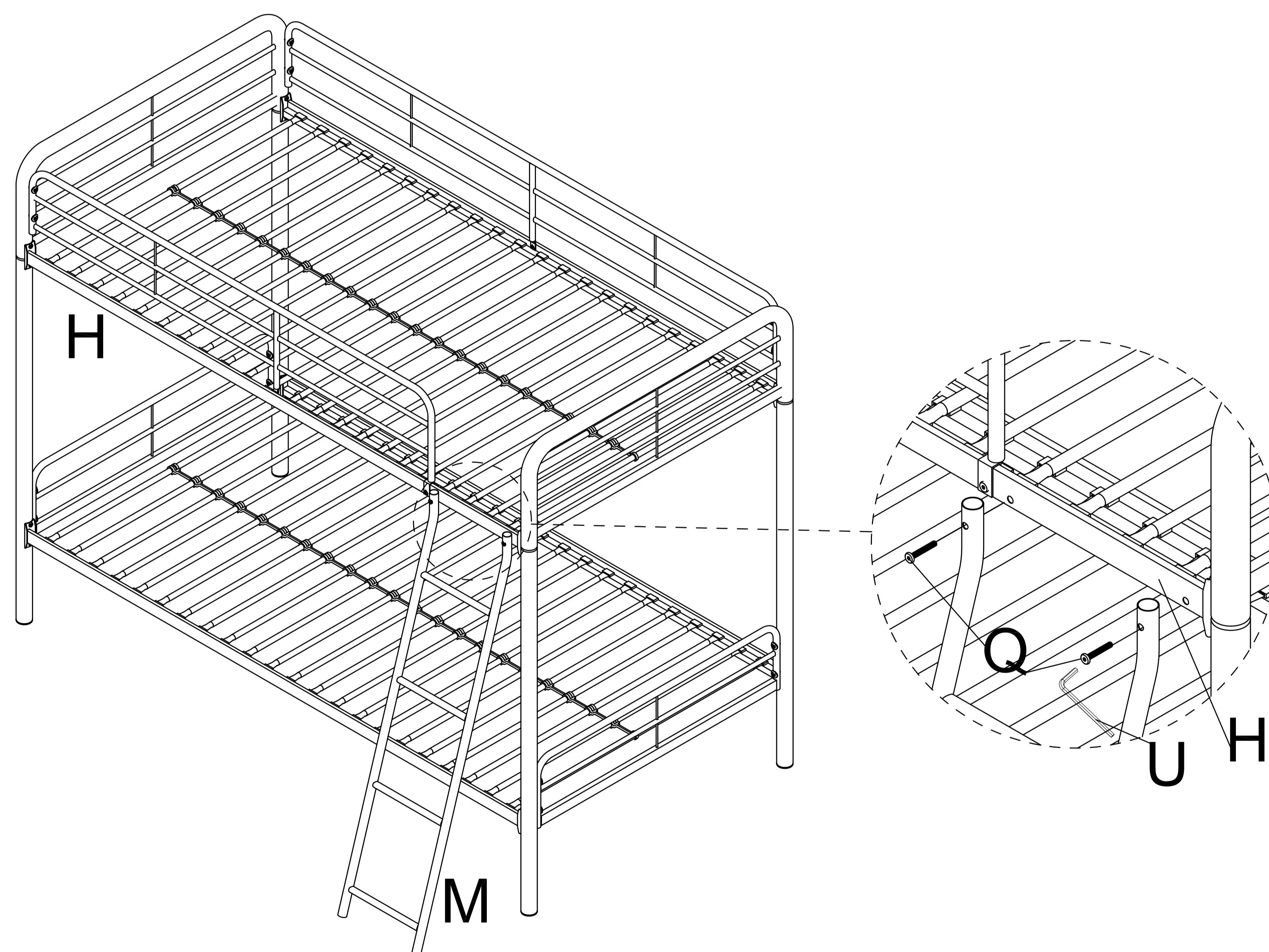


**10**

Make the Slat Spacer (N) to connect two slats as below instruction.

**11**

Attach the Ladder (M) to the Upper Front Rail (H), insert the Bolt (Q), turn the L-Allen Key (U) to tighten them.



## Cleaning & Care

Treat surface with care. Surface is resistant to scratches but is not scratch resistant. Clean surfaces with a dry or damp soft cloth. Do not use abrasive cleaners. Hardware may loosen over time. Periodically check that all connections are tight.

# IMPORTANT NOTICE

## FOR TWIN/FULL BUNK BED:

- Use only mattress which is 75" long and 38" wide on upper bunk.
- Use only mattress which is 75" long and 54" wide on lower bunk.
- Ensure thickness of mattress does not exceed 6" and mattress is at least 5" below upper edge of guardrails.

## FOR TWIN/TWIN BUNK BED:

- Use only mattress which is 75" long and 38" wide on bunk.
- Use only mattress which is 75" long and 38" wide on lower bunk.
- Ensure thickness of mattress does not exceed 6" and mattress is at least 5" below upper edge of guardrails.

## SAFETY WARNING

- Follow the information on the warnings appearing on the upper bunk end structure and on the carton. Do not remove warning label from bed.
- Always use the recommended size mattress or mattress support, or both, to help prevent the likelihood of entrapment or falls.
- Surface of mattress must be at least 5" (127mm) below the upper edge of guardrails.
- Do not allow children under 6 years of age to use the upper bunk.
- Periodically check and ensure that the guardrail, ladder, and other components are in their proper position, free from damage, and that all connectors are tight.
- Do not allow horseplay on or under the bed and prohibit jumping on the bed.
- Prohibit more than one person on upper bunk.
- Always use the ladder for entering and leaving the upper bunk.
- Do not use substitute parts - Contact the manufacturer or dealer for replacement parts.
- Replacement Parts - Replacement parts, including additional guardrails, may be obtained from any of our dealers.
- Use of a night light may provide added safety precaution for a child using the upper bunk.
- Always use guardrails on both long sides of the upper bunk. If the bunk bed will be placed next to the wall, the guardrail that runs the full length of the bed should be placed against the wall to prevent entrapment between the bed and the wall.
- The use of water or sleep flotation mattress is prohibited.
- **STRANGULATION HAZARD** - Never attach or hang items to any part of the bunk bed that are not designed for use with the bed; for example, but not limited to, hooks, belts, and jump ropes.
- Keep these instructions for future reference.