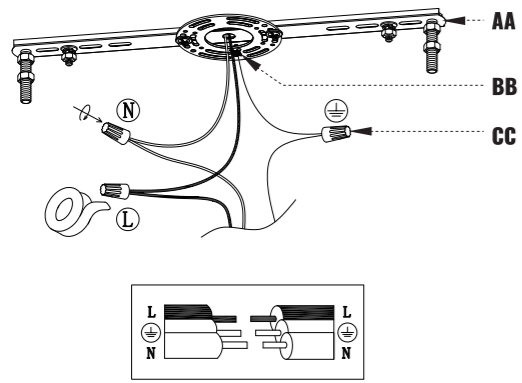


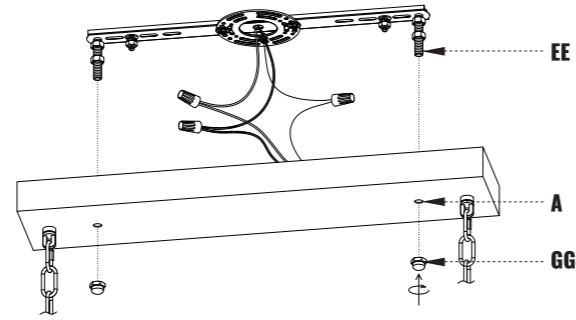
#### 4. Connect the wires



**Step 1:** Connect the wires from the fixture to the house supply wires with Wire Nut (CC), ground wire (green, green/yellow, or bare) to ground wire, neutral wire (white) to neutral wire, and hot wire (black) to the hot wire. Wrap the connection with electrical tape.

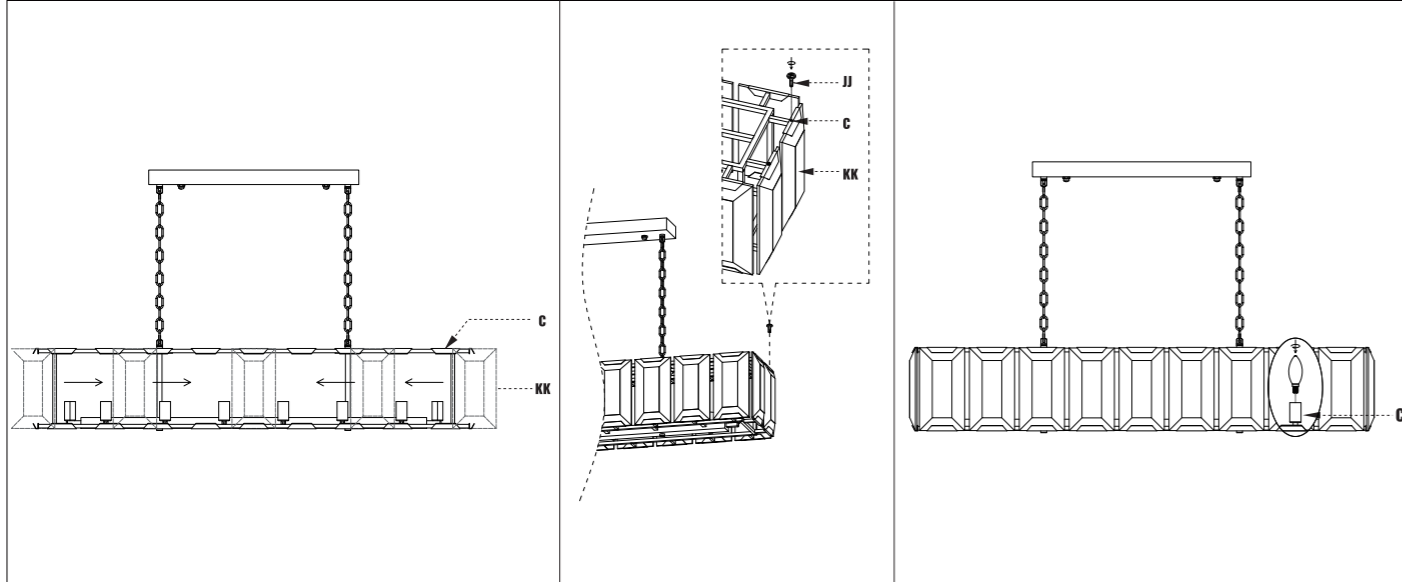
**Step 2:** Spread apart the wires so that the hot wires are on one side of the outlet box and the neutral wires are on the other side.

#### 5. Fix the Canopy



Fix the Canopy (A) onto the Mounting Bracket with Cap Nut (GG).

#### INSTALL BULBS AND RECTANGLE CRYSTAL



**Step 1:** Place the Crystal (KK) into the slot on the Lamp Body (C). Push the Crystal (KK) from left to right in order .

**NOTE:**

When you feel that the crystal installation is not that smooth, you can adjust the screws of the Lamp Body (C) appropriately so that the crystal can be installed smoothly.

**Step 2:** Once you have placed all the crystal on Lamp Body (C), then lock the Crystal (KK) with the Screw (JJ) through the screw holes above Lamp Body (C).

**Step 3:** Install the E12 bulbs (not included).

**NOTE:**

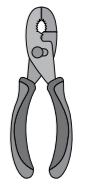
This lamp uses E12 bulbs base and can only be used in conjunction with LED bulbs up to 6W. Fully dimmable when used with dimmable bulbs and compatible dimming switches (not included).

# INSTALLATION MANUAL CHANDELIER

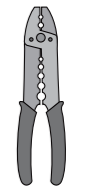
#### TOOLS REQUIRED



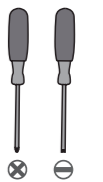
Ladder



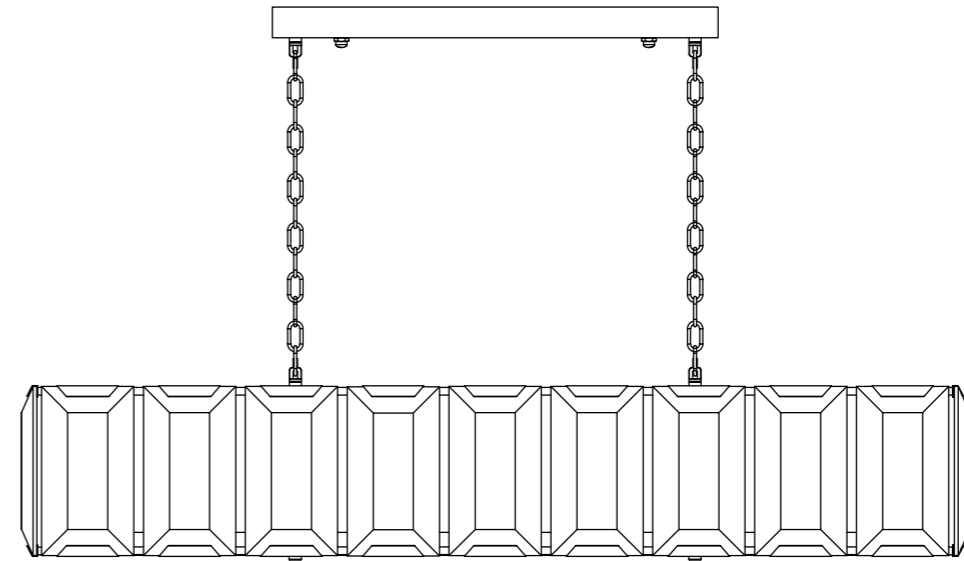
Pliers



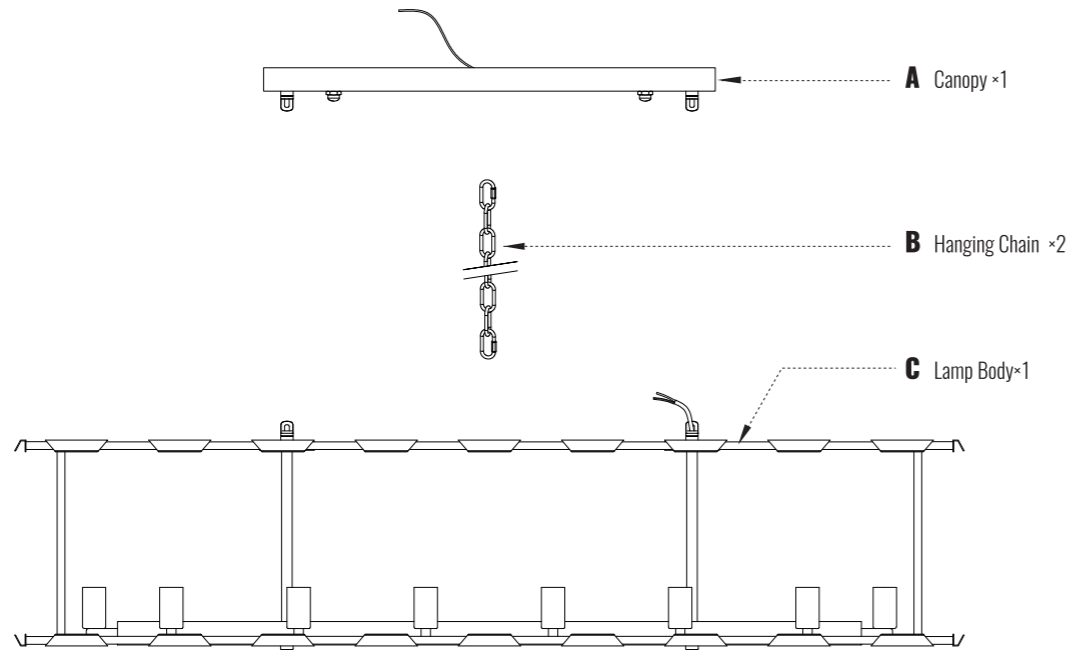
Wire Strippers







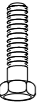
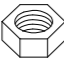
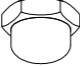
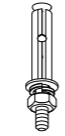
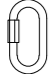
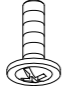
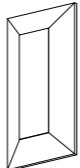

Screwdrivers



## PACKING LIST



## INSTALLATION KIT

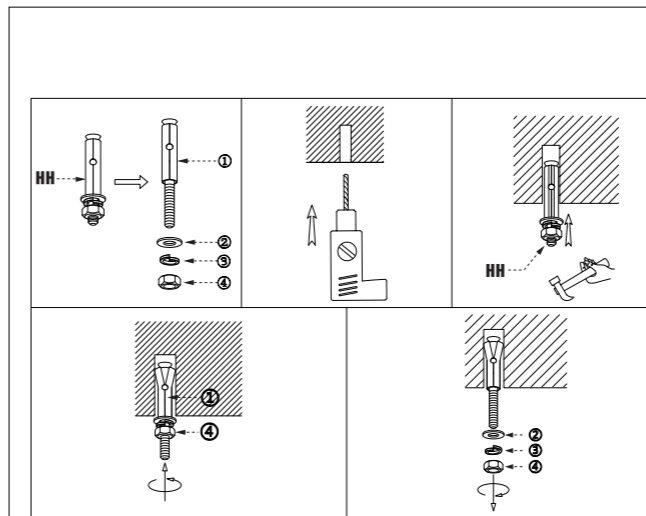
<b>AA</b> 1x  Mounting Bracket	<b>BB</b> 1x  Ground Screw	<b>CC</b> 3x  Wire Nut	<b>DD</b> 2x  Outlet Box Screw
<b>EE</b> 2x  Hex Bolt	<b>FF</b> 4x  Hex Nut	<b>GG</b> 2x  Cap Nut	<b>HH</b> 2x  Anchor Bolt
<b>II</b> 4x  Quick Link	<b>JJ</b> 22x  Screw	<b>KK</b> 22x  Crystal	<b>LL</b> 1x  Glove

### NOTE:

1. AA/BB/EE/FF/GG have already been pre-installed together with Canopy (A).
2. II have already been pre-installed together with Hanging Chain (B).

## MOUNTING AND WIRE

### 1. Install the Anchor Bolt



①Anchor Bolt ②Metal Wahser ③spring washer ④Hex Nut

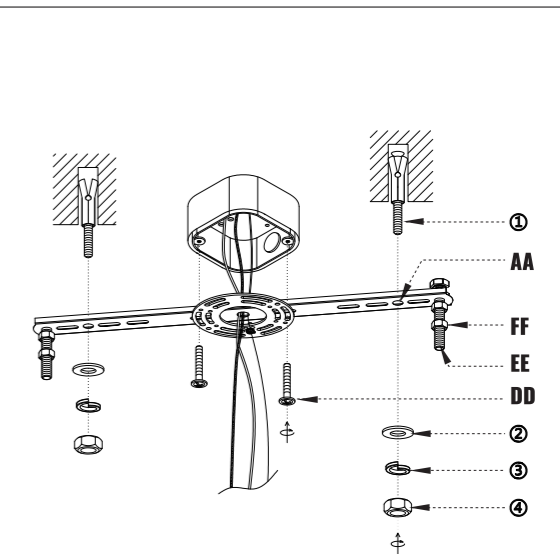
**Step 1:** Plan the holes for the Mounting Bracket first, then place the HH inside the punched holes.

**NOTE:** Do not disassemble ②,③,④.

**Step 2:** Tighten the Hex Nut (④) until Anchor Bolt (①) is not loose.

**Step 3:** Loosen the ②, ③, ④ and set them aside for use.

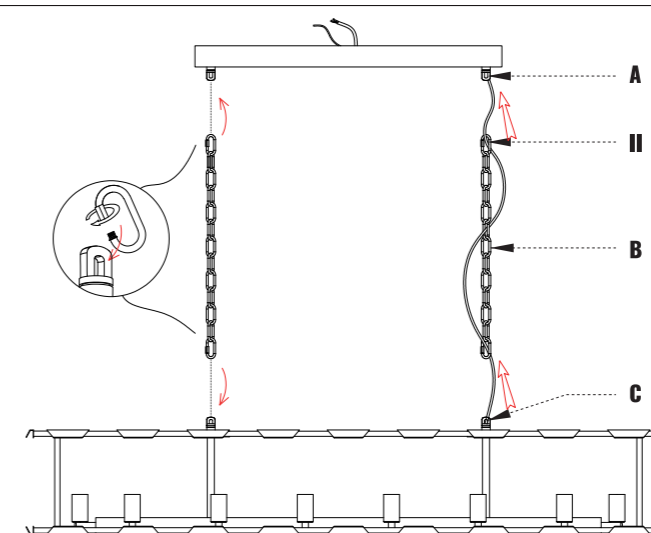
### 2. Install the Mounting Bracket



**Step 1:** Install Machine Outlet Box Screw (DD) through the Mounting Bracket (AA) into the Outlet box.

**Step 2:** Pass Anchor Bolt (①) through the Mounting Bracket (AA), then pass it through Metal Wahser (②), Spring Washer (③), and finally lock it with Hex Nut (④).

### 3. Install the Lamp Body



**Step 1:** Pass the wire from the Lamp Body (C) through Hanging Chain (B), and Canopy (A) in turn.

**Step 2:** Open the knob on Quick Link (II), then connect the Quick Link (II) on both ends of B to A and C, and finally lock Quick Link (II) tightly.