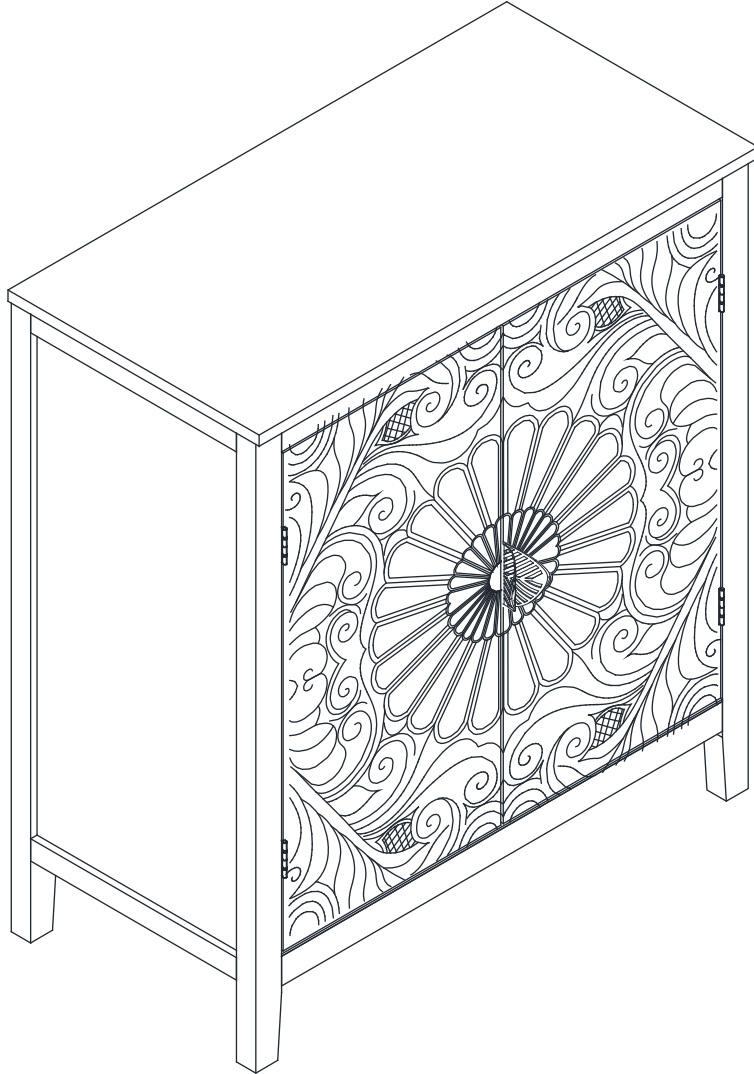


Installation Instruction



Product Name

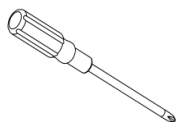
2 Door Cabinet

Ver.1.0 20231206

Assembling

What you need

- Use the packaging carton as a working surface to prevent product damage during assembly
- Phillips head screwdriver



Weight Limitation



What's included

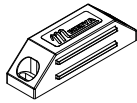
Code	Description	Qty
A	Bolt M6X35MM	8
B	Magnetic Door Catcher	1
C	Screw Φ 3x16MM	10
D	Screw Φ 3x12MM	18
E	Metal Plate	2
F	Metal Washer	8
G	Hinge	4
H	Allen Key	1
I	Plastic Corner Support	8
J	Screw Φ 4x35MM	2
K	Nylon Strap	2
L	Screw M4X12MM	6
M	Anchor M6X30MM	2
N	Handle	2
O	Metal Support	4
P	Wooden Dowel M6X30mm	4

The Hardwares

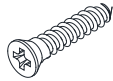
A



B



C



D



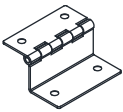
E



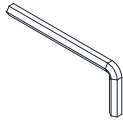
F



G



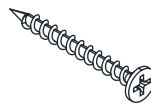
H



I



J



K



L



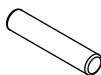
M



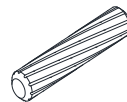
N



O



P



IMPORTANT:

1. Do not tighten bolts / screws completely until all bolts / screws are lined up and inserted into holes.
2. Do not over tighten screws and bolts to avoid stripping.
3. Please use hand tools to assemble this product. Do not use power tools.
4. Must need 2 people to assemble this product.

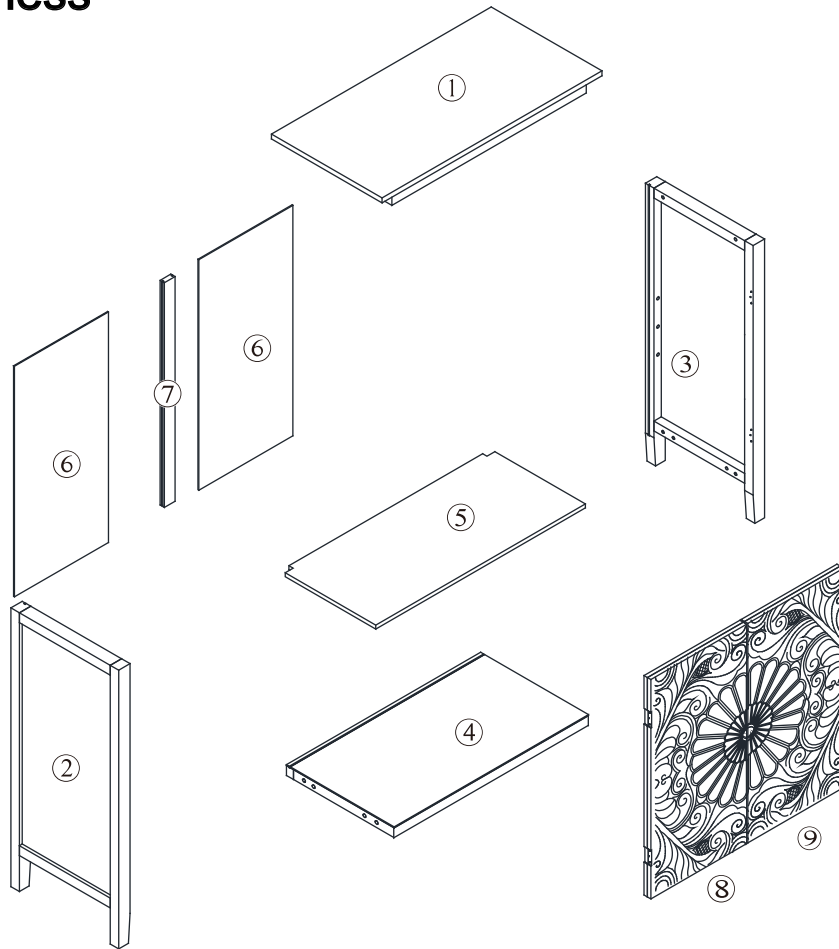


2 PERSONS

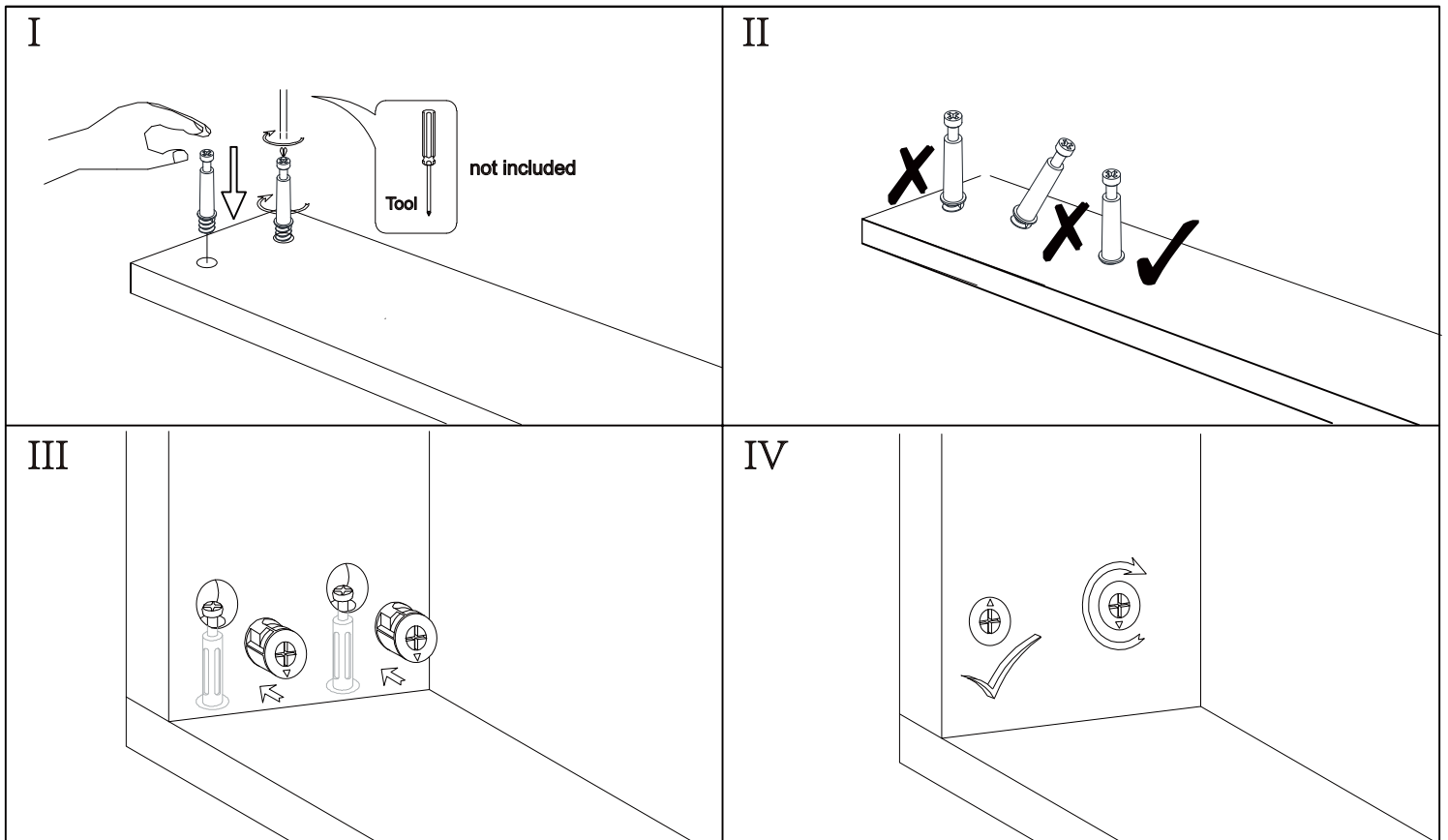
Included Accessories

Code	Description	Qty
1	Cabinet Top	1
2	Left Side Panel	1
3	Right Side Panel	1
4	Bottom Panel	1
5	Shelf	1
6	Back Panel	2
7	Back Stretcher	1
8	Left Door	1
9	Right Door	1

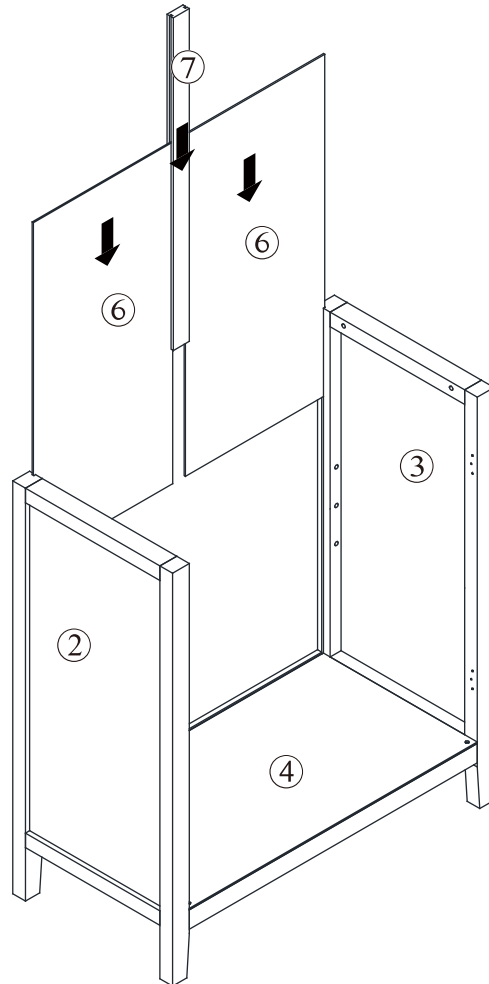
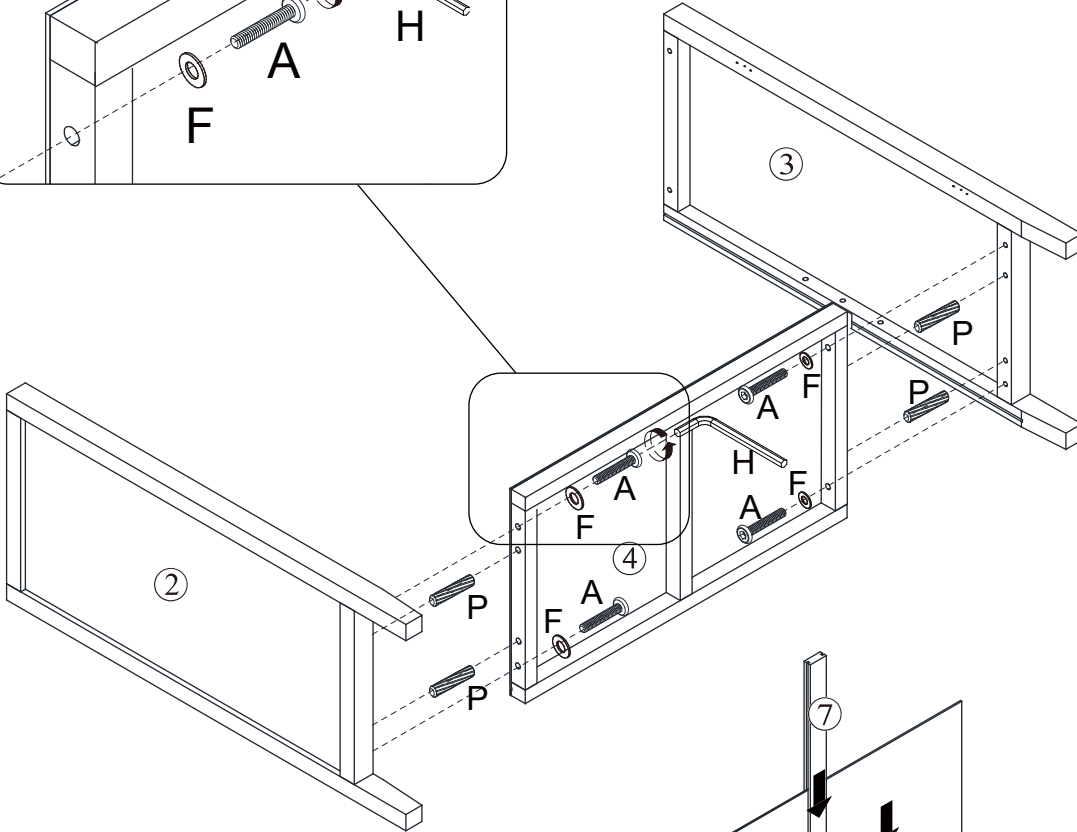
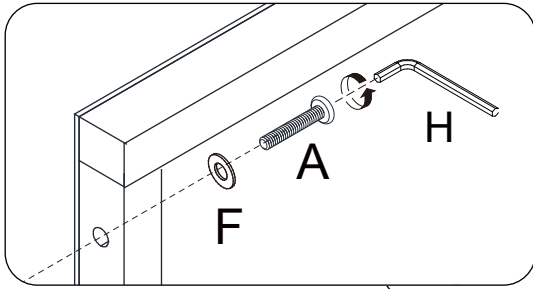
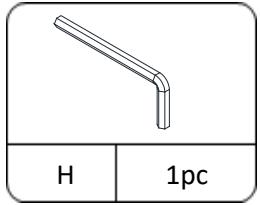
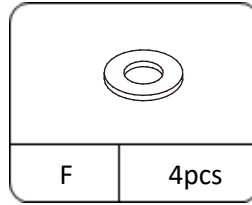
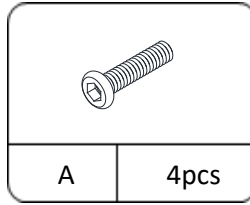
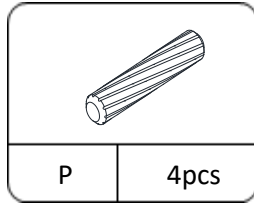
The Accessoriess





NOTED:

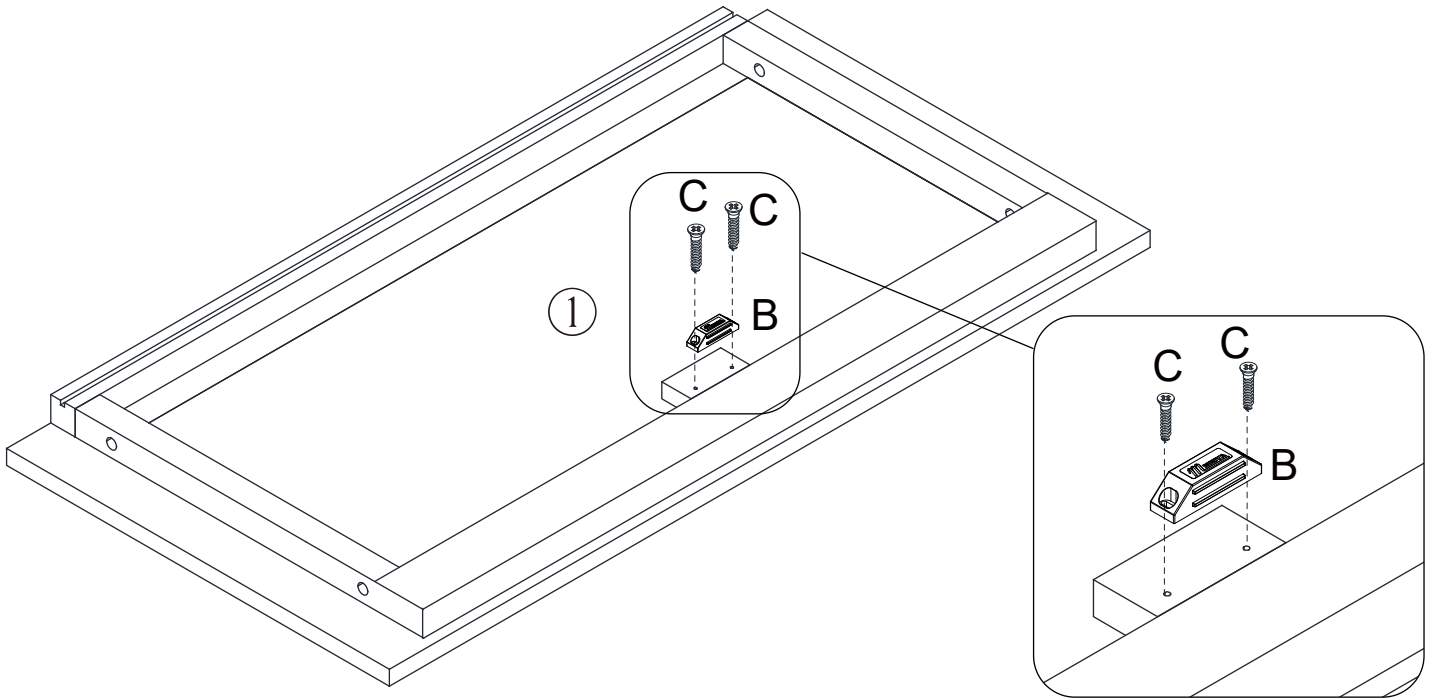


Step 1

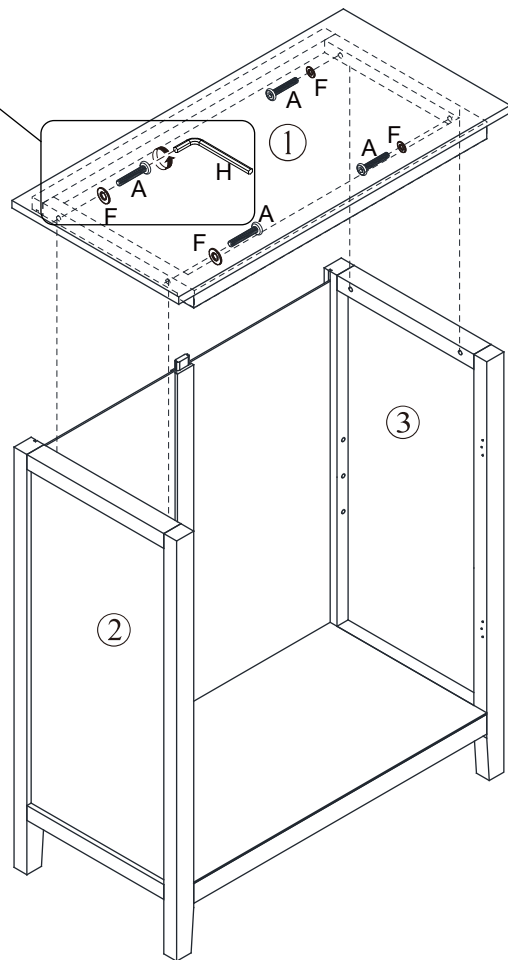
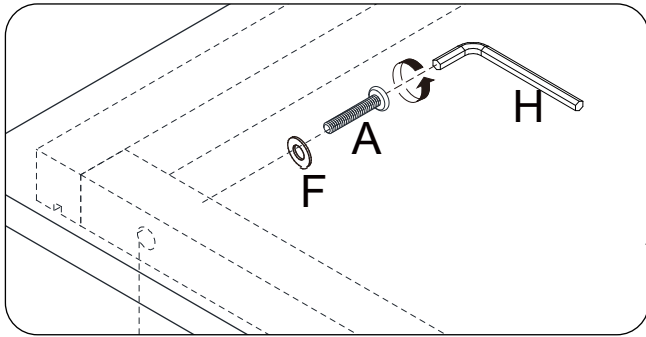
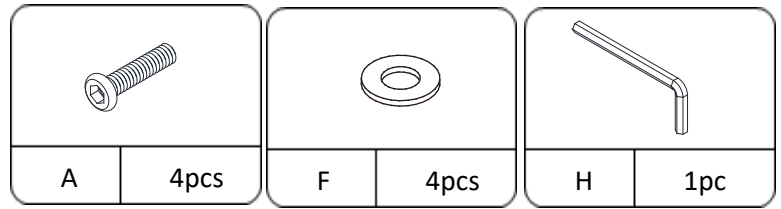


Step2

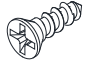

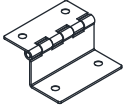


	
B	1pc
C	2pcs

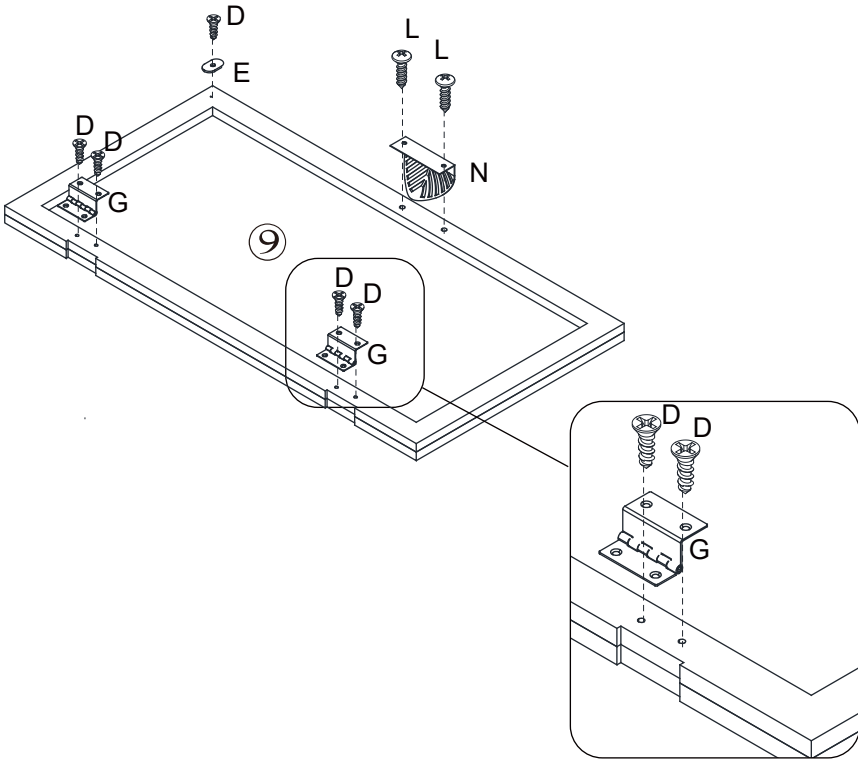
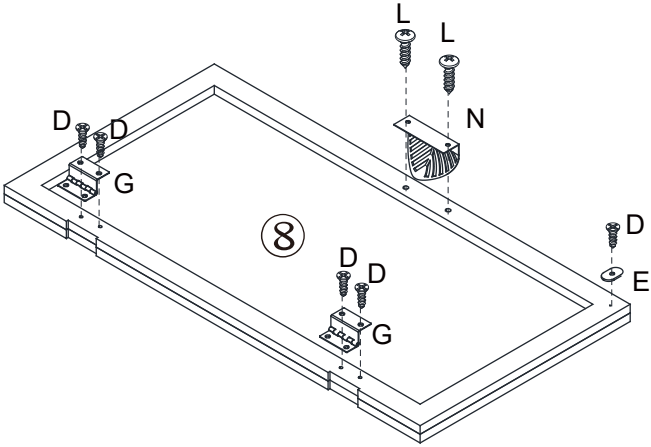


Step3

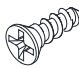
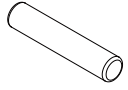


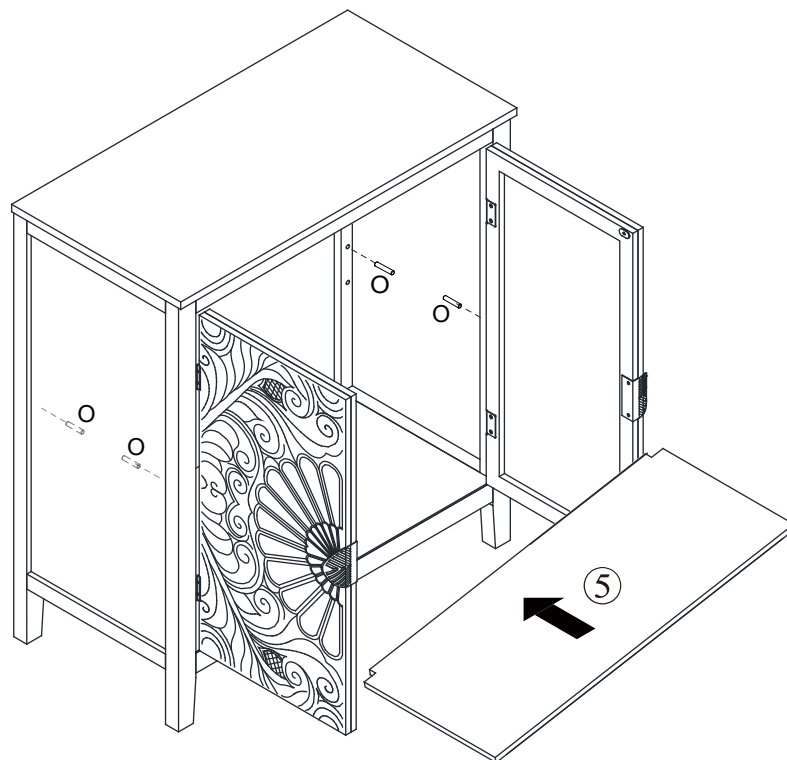
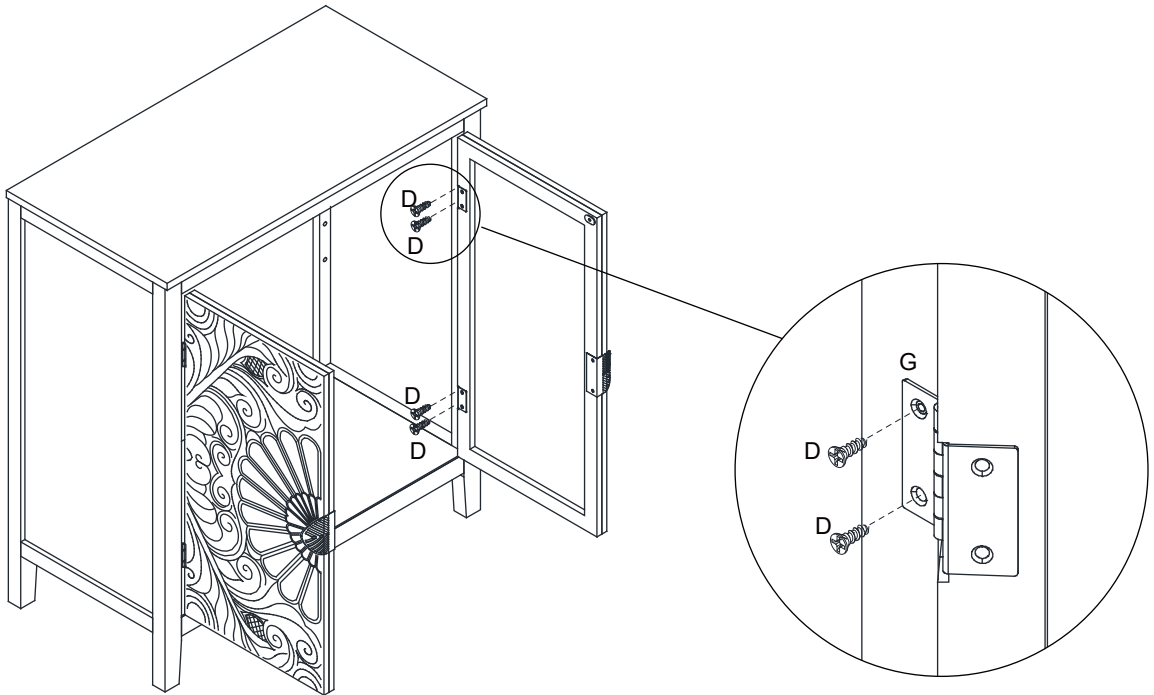
Step4

					
D	10pcs	E	2pcs	G	4pcs
					
L	4pcs	N	2pcs		

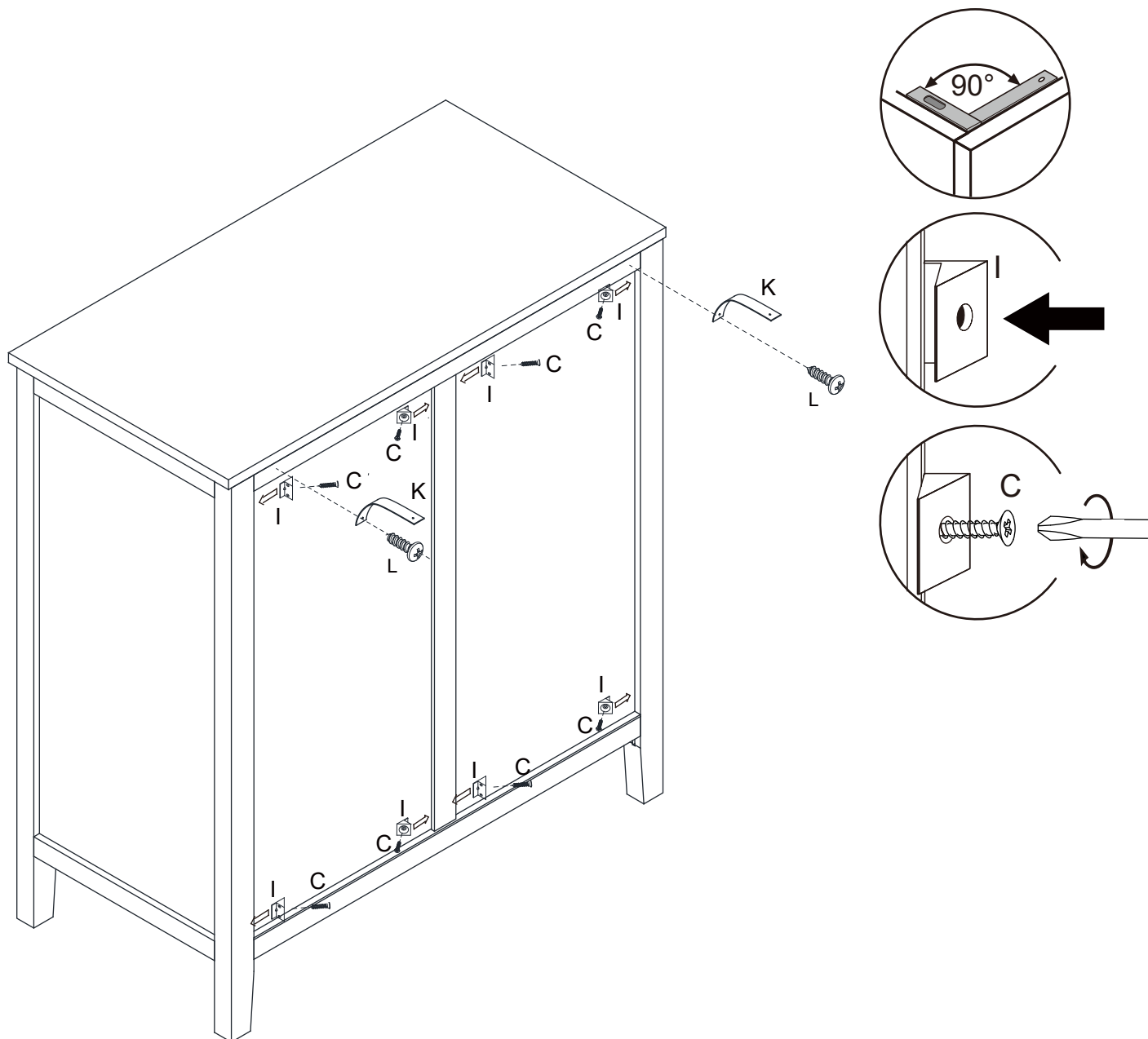
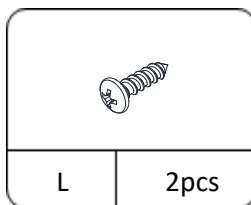
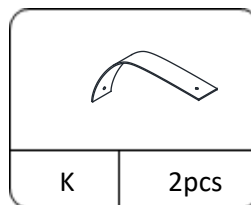
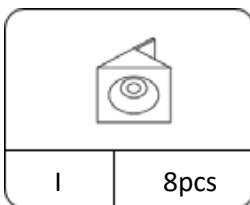
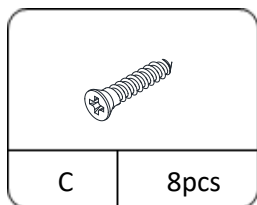


Step 5

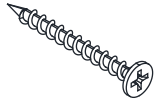

			
D	8 pcs	O	4 pcs

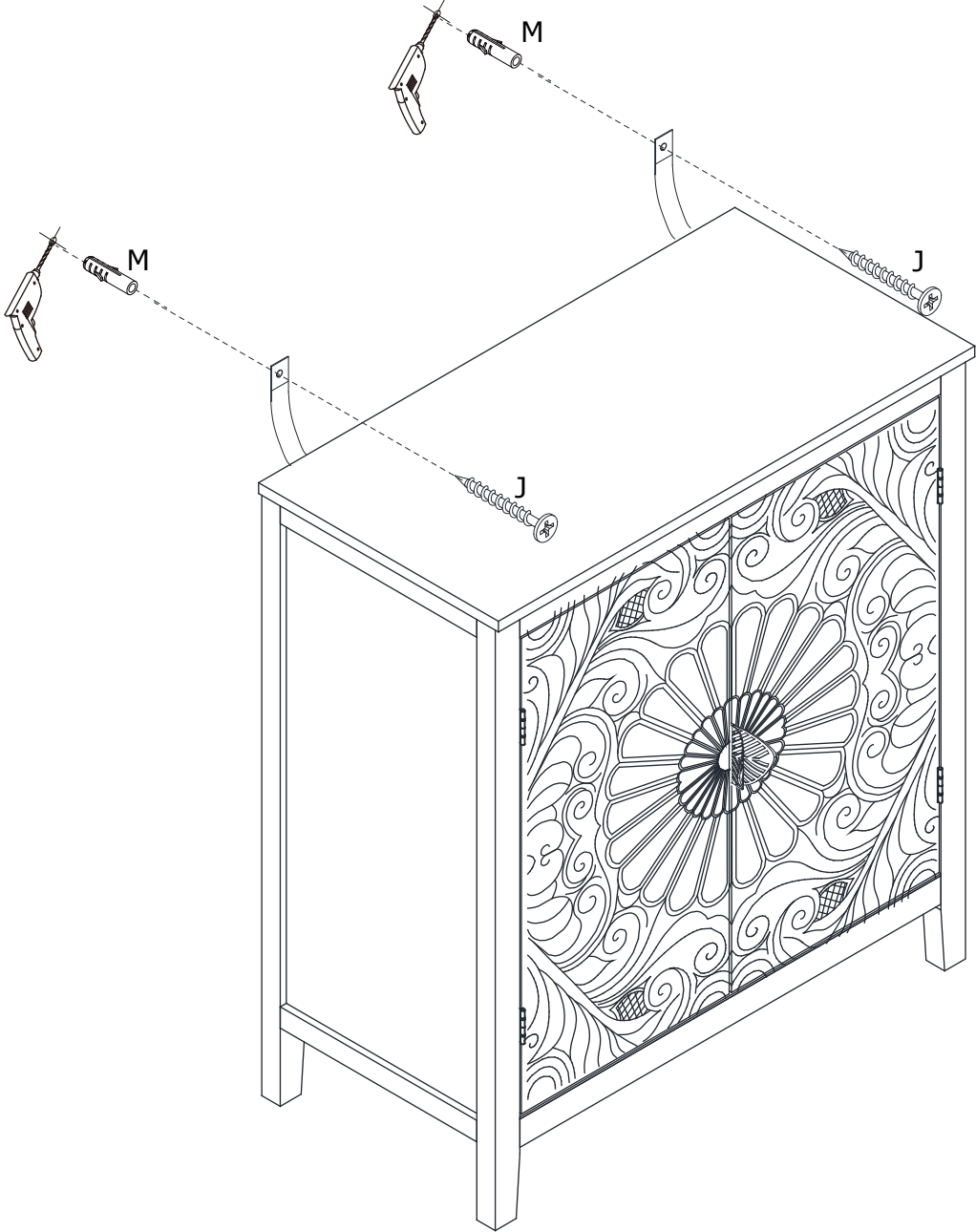


Step 6



Step 7

			
J	2pcs	M	2pcs



Proper Use

- DO NOT** use for commercial purposes
- DO NOT** use as a step stool or stand on table
- DO NOT** put hot serving liquid directly on the table top
- DO NOT** leave spilled liquid on the table top
- DO NOT** use table if damaged
- DO NOT** exceed weight limit
- DO NOT** make temporary repairs
- DO NOT** use outdoor

Dear Customer:

Thank you for purchasing our product, we wish you satisfy our service, if you have any further questions or any quality issues, please show the belows number and don't hesitate to contact our Customer Service People :

W688202312