

>>assembly instructions

Congratulations on your latest purchase.

Now what? Don't start sweating over this box of parts. This will be easy. We did the hard work for you. All you need to do is follow our simple instructions and you'll be on your way to transforming your room in no time. Good luck --though we're confident you won't need it.

before you begin

1. Check for damaged or missing parts.
2. Use the carton as a working surface to prevent product damage during assembly.
3. Gather all tools prior to assembly.

tools needed

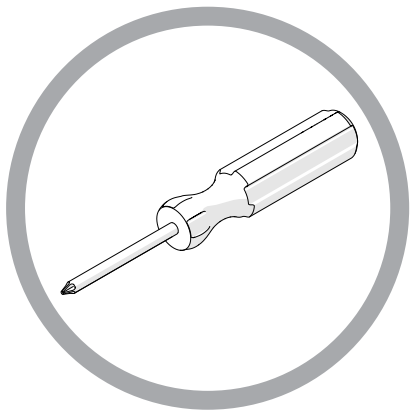


table of contents

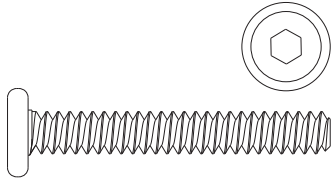


introduction	2
hardware	4
parts list	5
assembly	6 - 9

hardware

(A) x 8

1/4" x 40mm
round hex screw



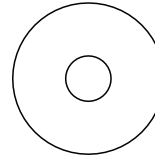
(B) x 8

Φ 6mm lock washer



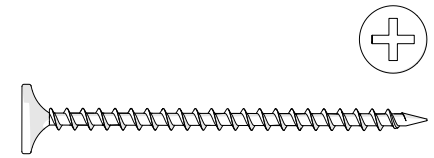
(C) x 8

Φ 20mm flat washer



(D) x 4

Screw Flat head 50mm



(E) x 1

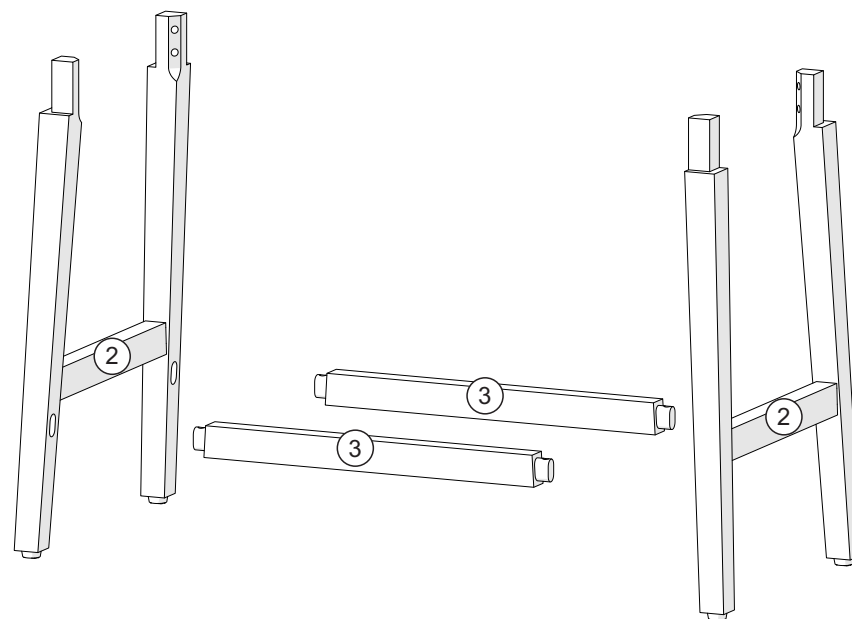
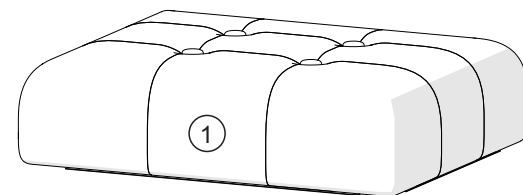
4mm Ball end
Hex wrench



ITEM DESCRIPTION QUANTITY



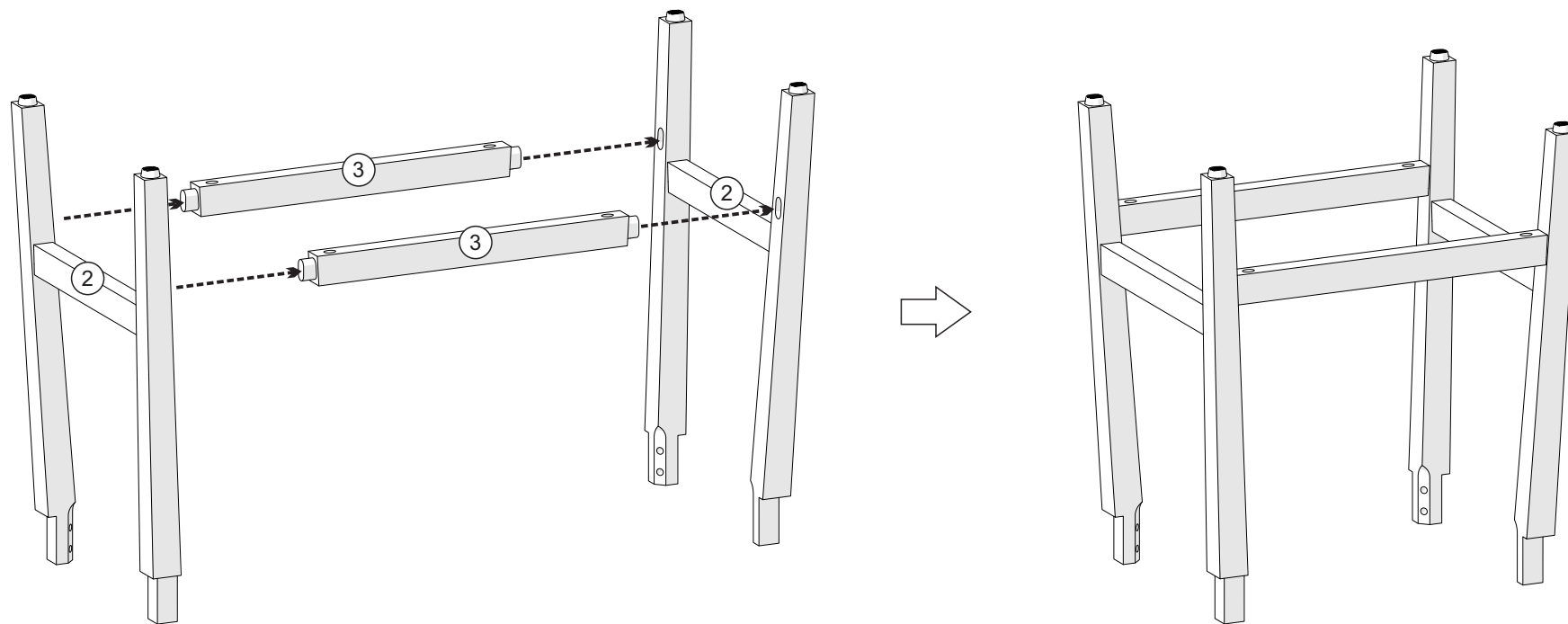
①	seat cushion	1
②	leg	2
③	bar	2



step 1.

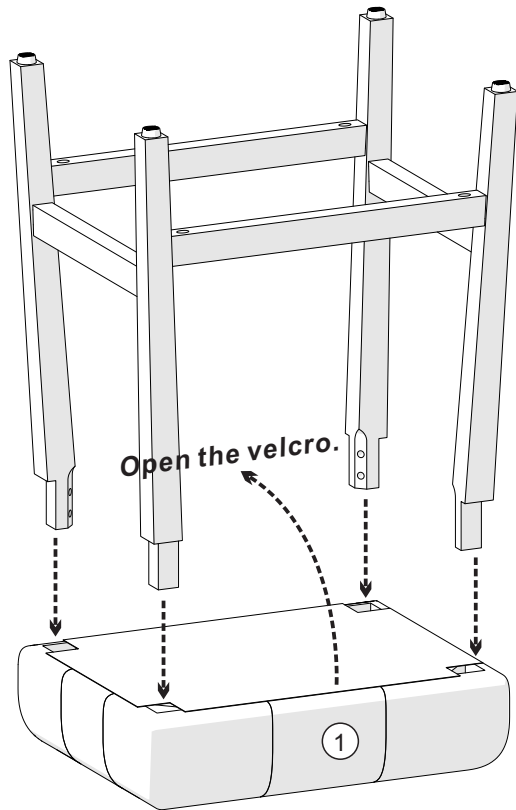
.....

1



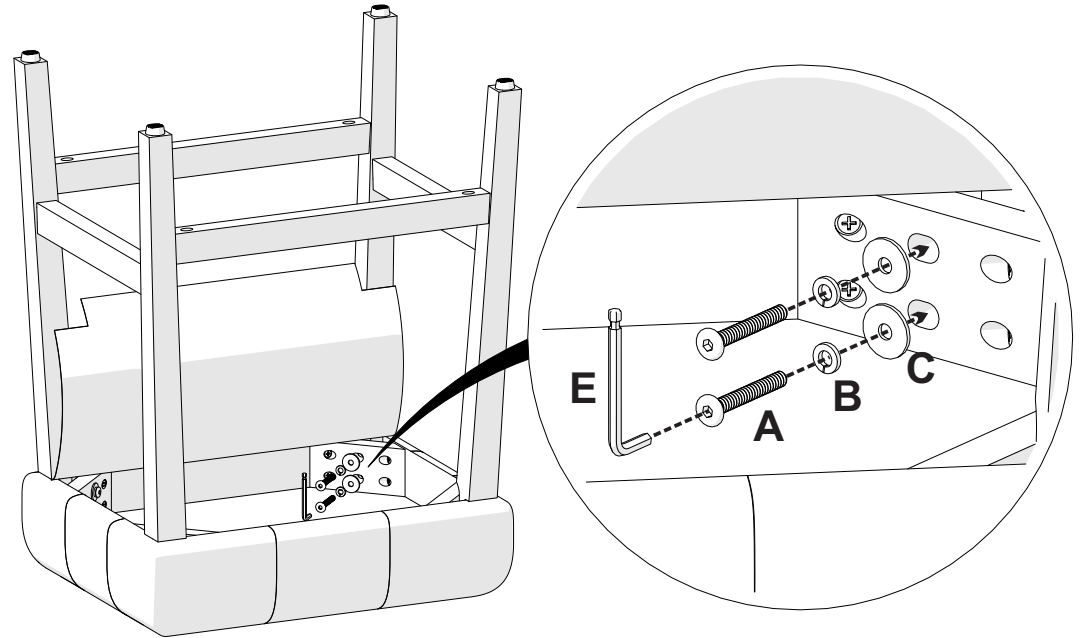
step 2.

1



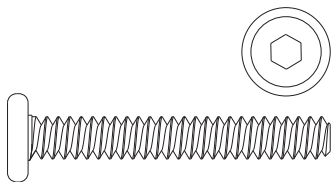
2

Now you may tighten all 8 bolts.



(A) x 8

1/4" x 40mm
round hex screw



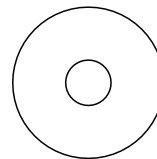
(B) x 8

Φ 6mm lock washer



(C) x 8

Φ 20mm flat washer



(E) x 1

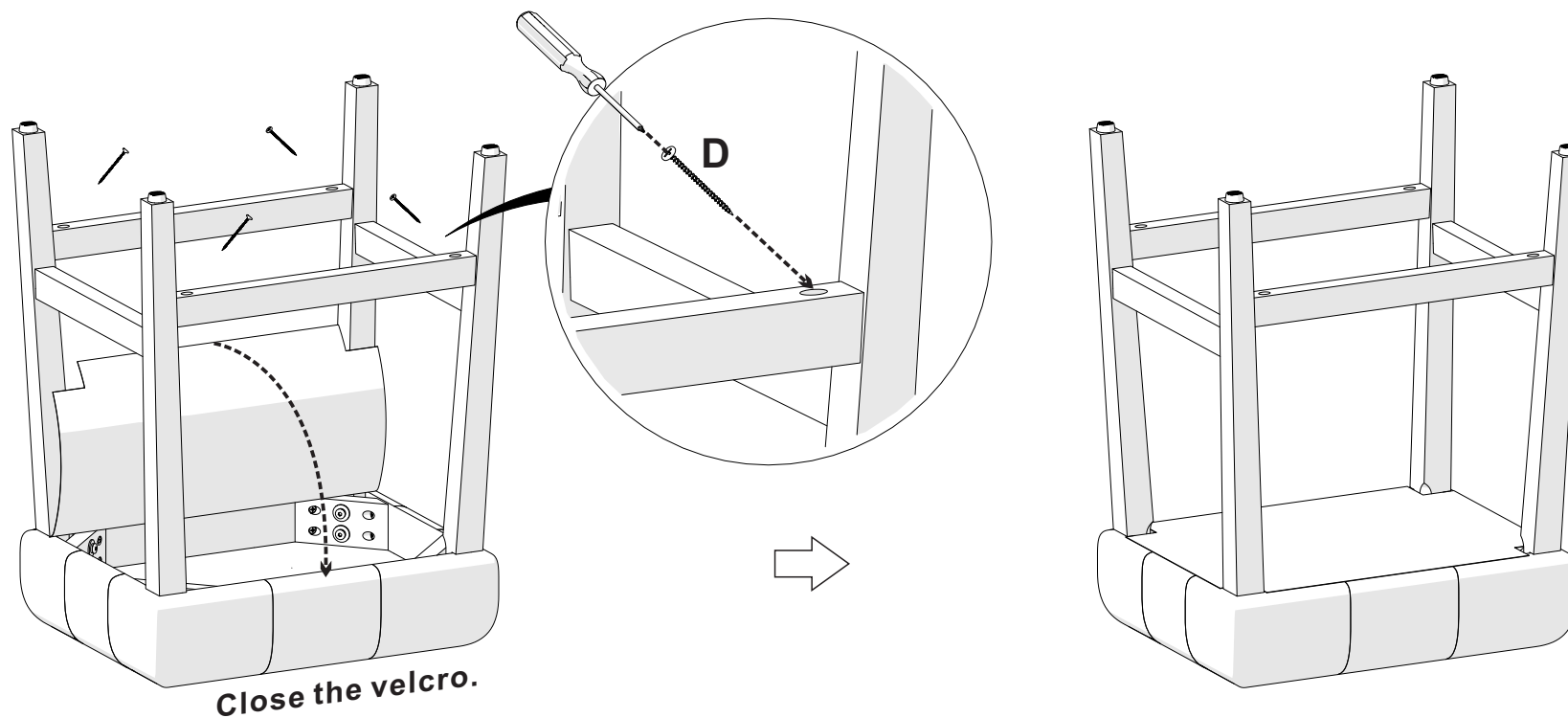
4mm Ball end
Hex wrench



Please do not assemble with power tools

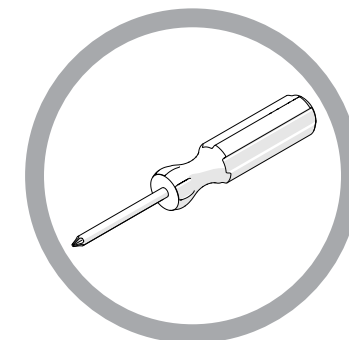
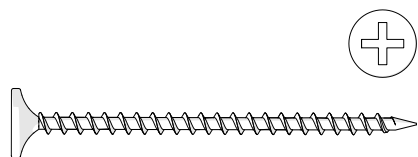
step 3.

1 Using philip screw driver to tighten the screws.



(D) x 4

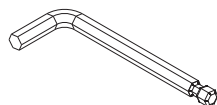
Screw Flat head 50mm



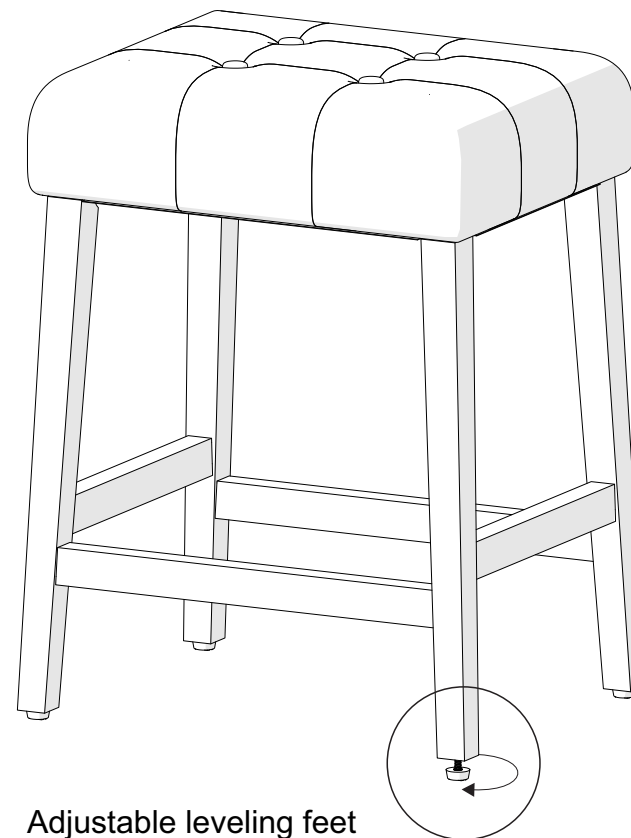
step 4.

A friendly reminder from us:

Please keep the Allen wrench.



After a period of time, there may be a chance this furniture may become loose, please use an Allen wrench to tighten the loose bolts.



Adjustable leveling feet

(This part is already attached on the end cap of 4 legs.)

Level the furniture, use leveling feet if needed.