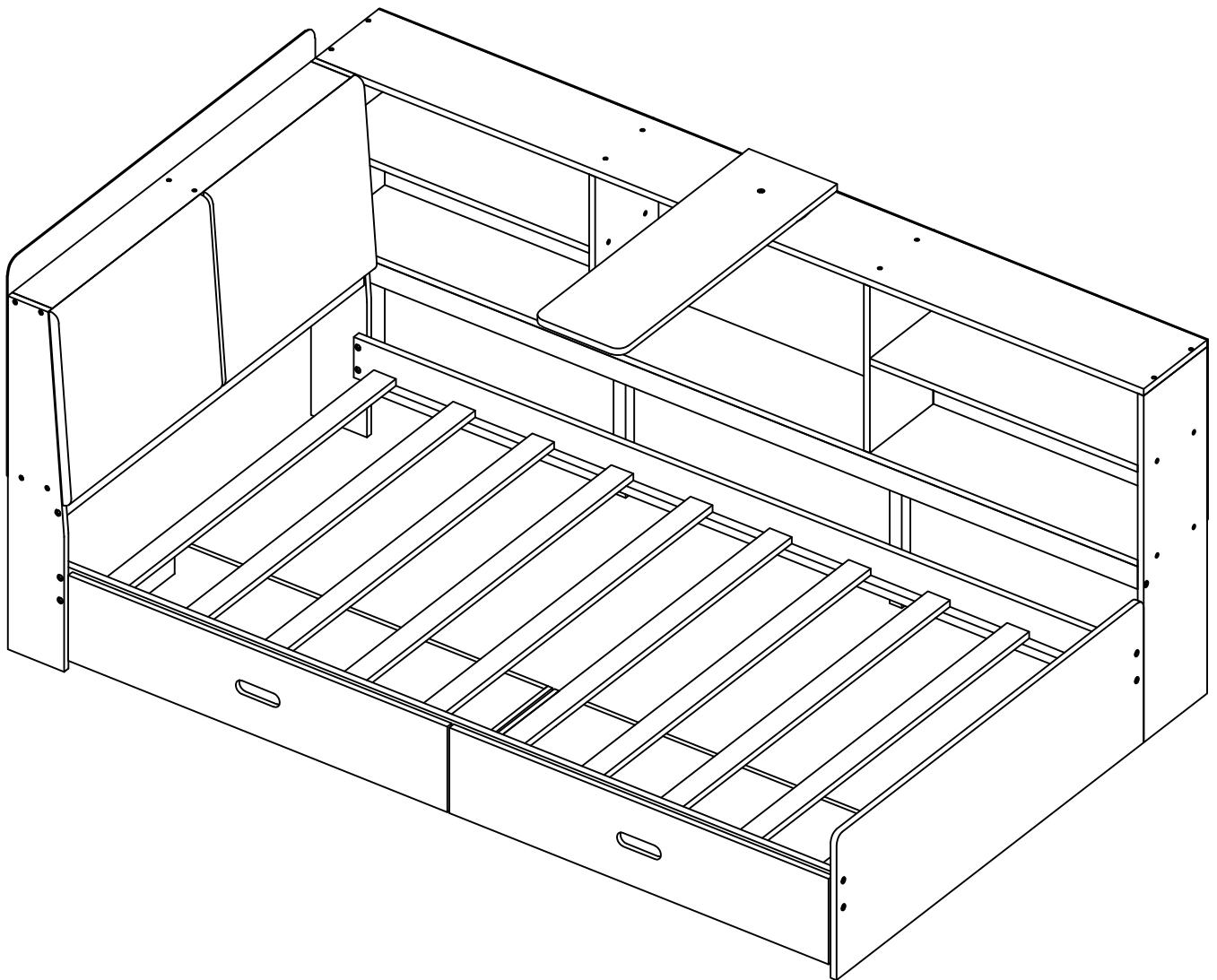
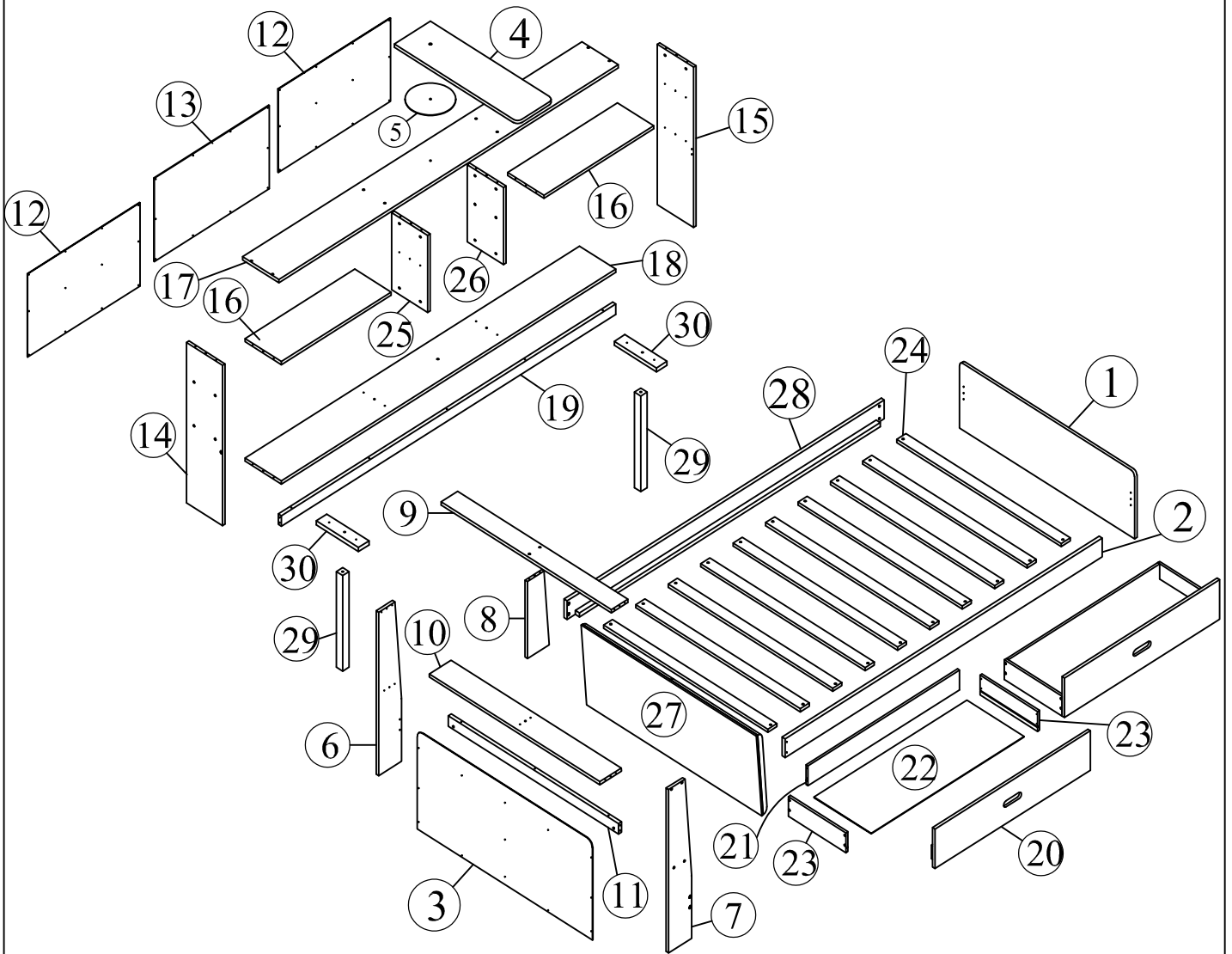


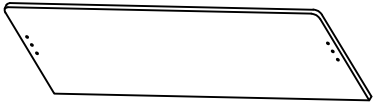
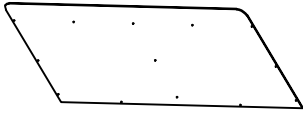
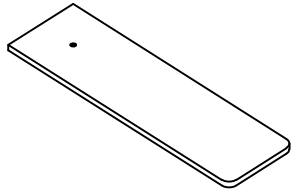
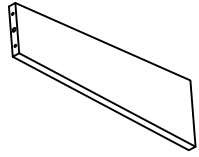
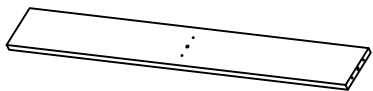
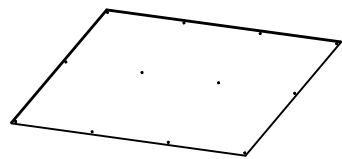
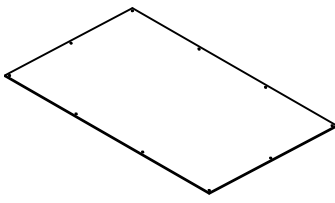
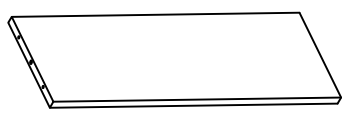
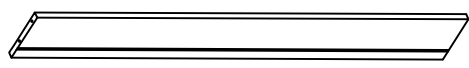
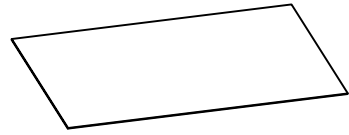
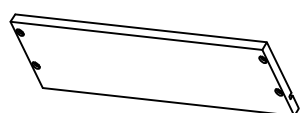
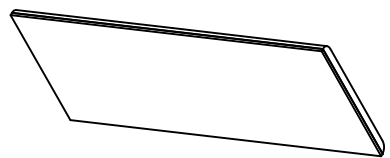
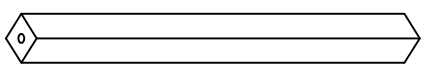
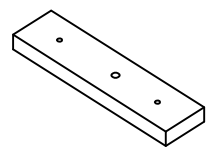
ASSEMBLY INSTRUCTION



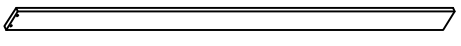
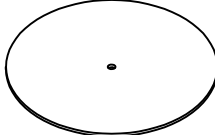
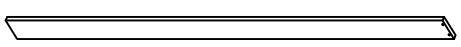
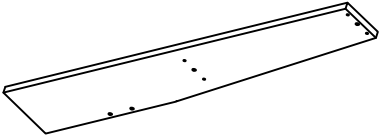
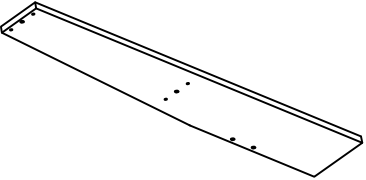
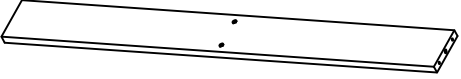
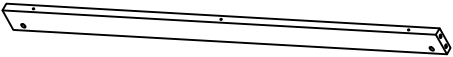
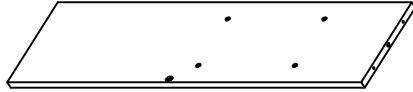
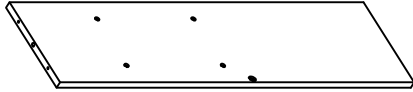
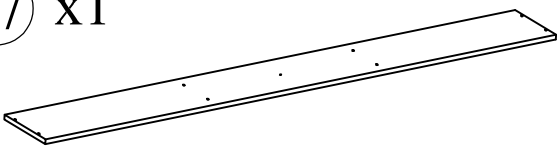
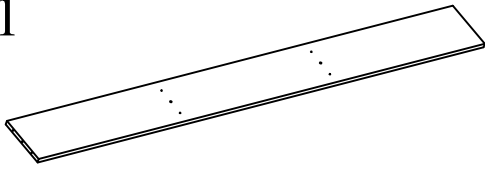

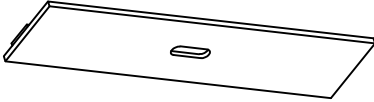

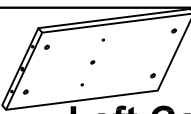

Detail:



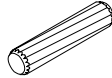

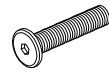



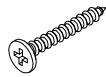
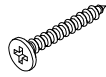
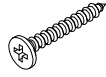
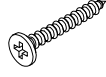
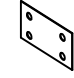
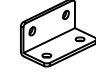



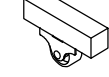


Part List

<p>① x1</p>  <p style="text-align: center;">Panel at Footboard</p>	<p>③ x1</p>  <p style="text-align: center;">Panel at Headboard</p>
<p>④ x1</p>  <p style="text-align: center;">Panel</p>	<p>⑧ x1</p>  <p style="text-align: center;">Bulk head</p>
<p>⑩ x1</p>  <p style="text-align: center;">Center wood bar of side rail</p>	<p>⑫ x2</p>  <p style="text-align: center;">Back panel of side rail</p>
<p>⑬ x1</p>  <p style="text-align: center;">Back panel of side rail</p>	<p>⑯ x2</p>  <p style="text-align: center;">Shelf</p>
<p>⑳ x2</p>  <p style="text-align: center;">Back Drawer</p>	<p>㉒ x2</p>  <p style="text-align: center;">Bottom Drawer</p>
<p>㉓ x4</p>  <p style="text-align: center;">Side panel of drawer</p>	<p>㉗ x1</p>  <p style="text-align: center;">Panel at headboard</p>
<p>㉙ x2</p>  <p style="text-align: center;">Support Leg</p>	<p>㉚ x2</p>  <p style="text-align: center;">Wooden support additional legs</p>

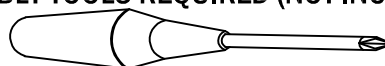
Part List

<p>② x1  Front side rail</p>	<p>⑤ x1  Circle panel</p>
<p>②⑧ x1  Back side rail</p>	
<p>⑥ x1  Left panel at side rail</p>	<p>⑦ x1  Right panel at side rail</p>
<p>⑨ x1  Top wood bar at headboard</p>	<p>⑪ x1  Bottom panel at side rail</p>
<p>⑭ x1  Left panel</p>	<p>⑮ x1  Right panel</p>
<p>⑰ x1  Top shelf of side rail</p>	<p>⑱ x1  Bottom shelf of side rail</p>
<p>⑲ x1  Wood bar at side rail</p>	<p>⑳ x2  Front Drawer</p>
<p>⑳④ x10  Slats</p>	<p>㉕ x1  Left Center panel</p>
	<p>㉖ x1  Right center panel</p>

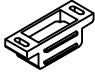
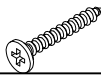
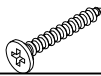
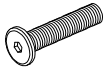
Hardware List

No.	OUTLOOK	DESC	QTY
(A)		Dowel Ø8*30mm	24pcs
(B)		Bolts M6*60mm	8pcs
(C)		Bolts M6*20mm	5pcs
(D)		Bolts M6*15mm	5pcs
(E)		Cross dowel M6* 13mm	8pcs
(F)		Cross dowel Ø10*10mm	36pcs
(G)		Flat head screw #8*60mm	36pcs
(H)		Flat head screw #8*50mm	8pcs
(I)		Flat head screw #8*25mm	56pcs
(J)		Flat head screw #7* 12mm	22pcs
(K)		Metal Rectangle	1pc
(L)		Pat L	2pcs
(M)		Flap fitting (Left)	1pc
(N)		Flap fitting (Right)	1pc
(O)		Door Hinge	2pcs
(P)		Wheels	8pcs
(Q)		Allen key 60*22*4mm	1pc
(X)		Round head screw #8* 15mm	47pcs

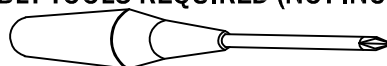
ASSEMBLY TOOLS REQUIRED (NOT INCLUDED)



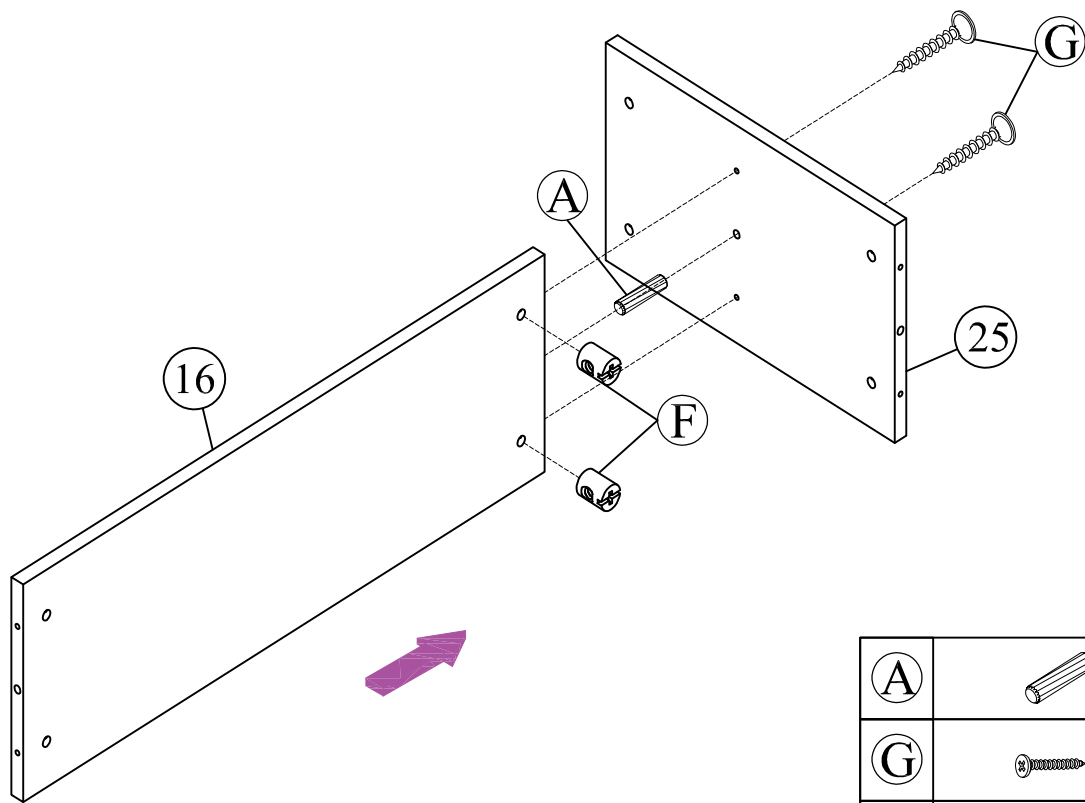
Hardware List

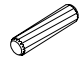


No.	OUTLOOK	DESC	QTY
Y		Inhaler magnet	2pcs
T		Flat head screw #7*15mm	4pcs
W		Flat head screw #6*15mm	8pcs
Z		Bolts M6*30mm	2pcs

ASSEMBLY TOOLS REQUIRED (NOT INCLUDED)

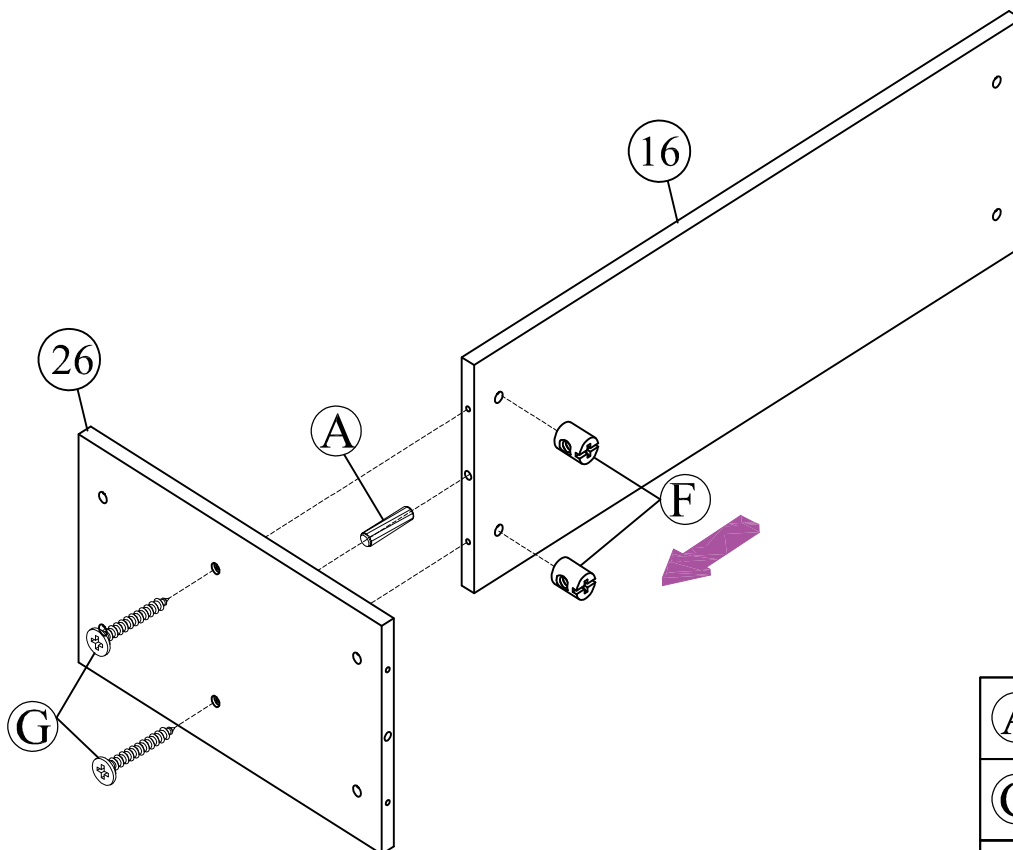


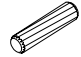


STEP 1:



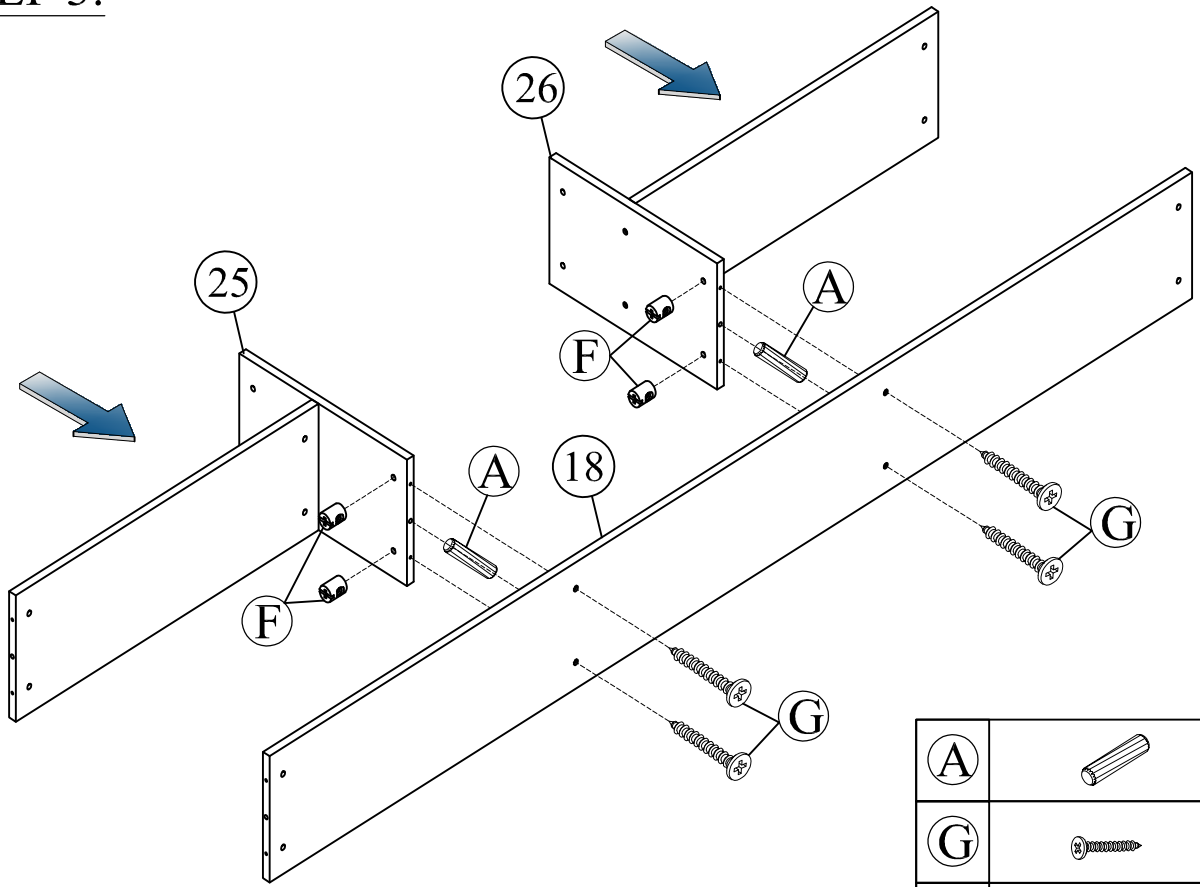
(A)		1pc
(G)		2pcs
(F)		2pcs

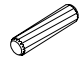


STEP 2:



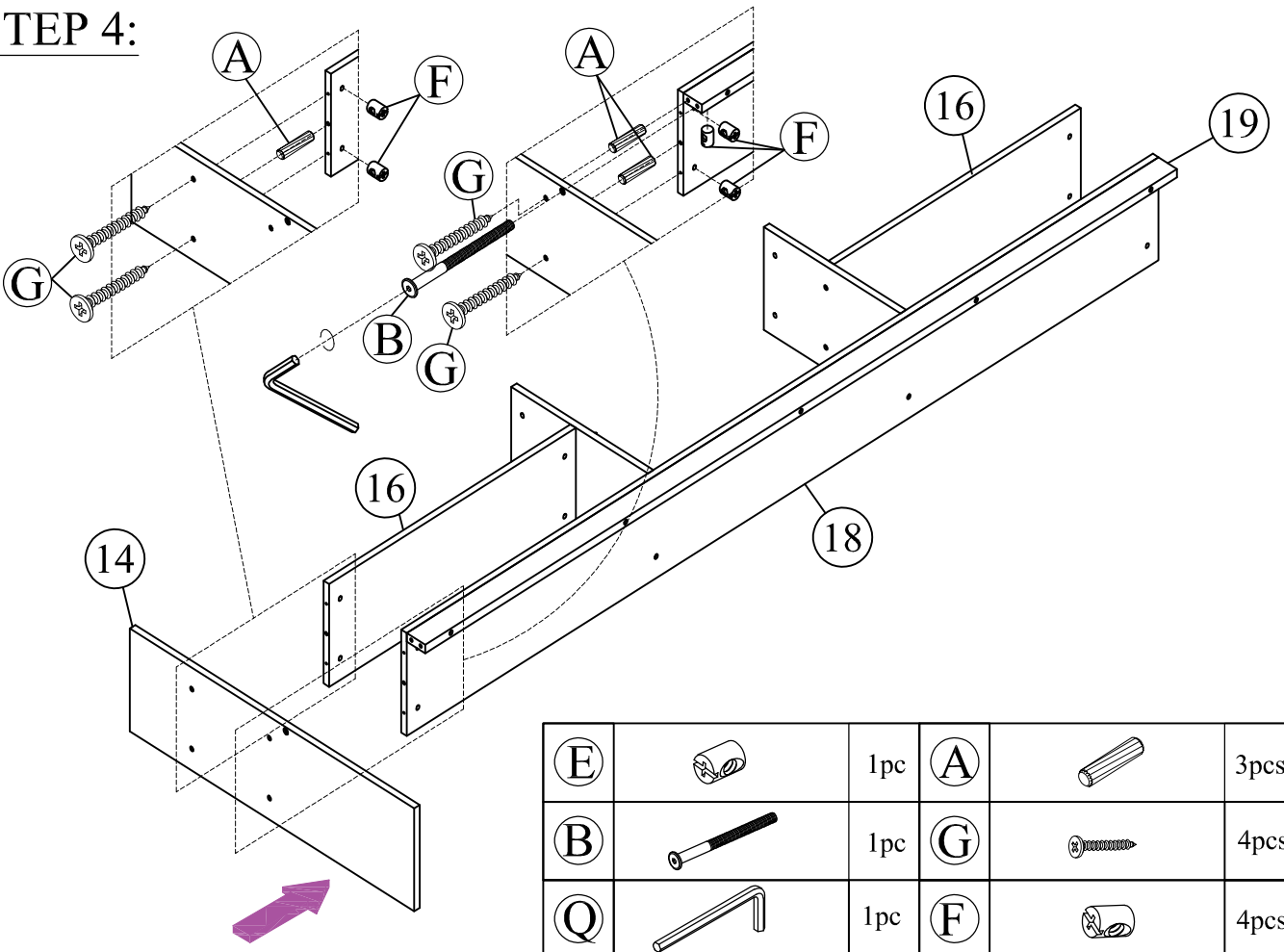
(A)		1pc
(G)		2pcs
(F)		2pcs


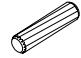




STEP 3:



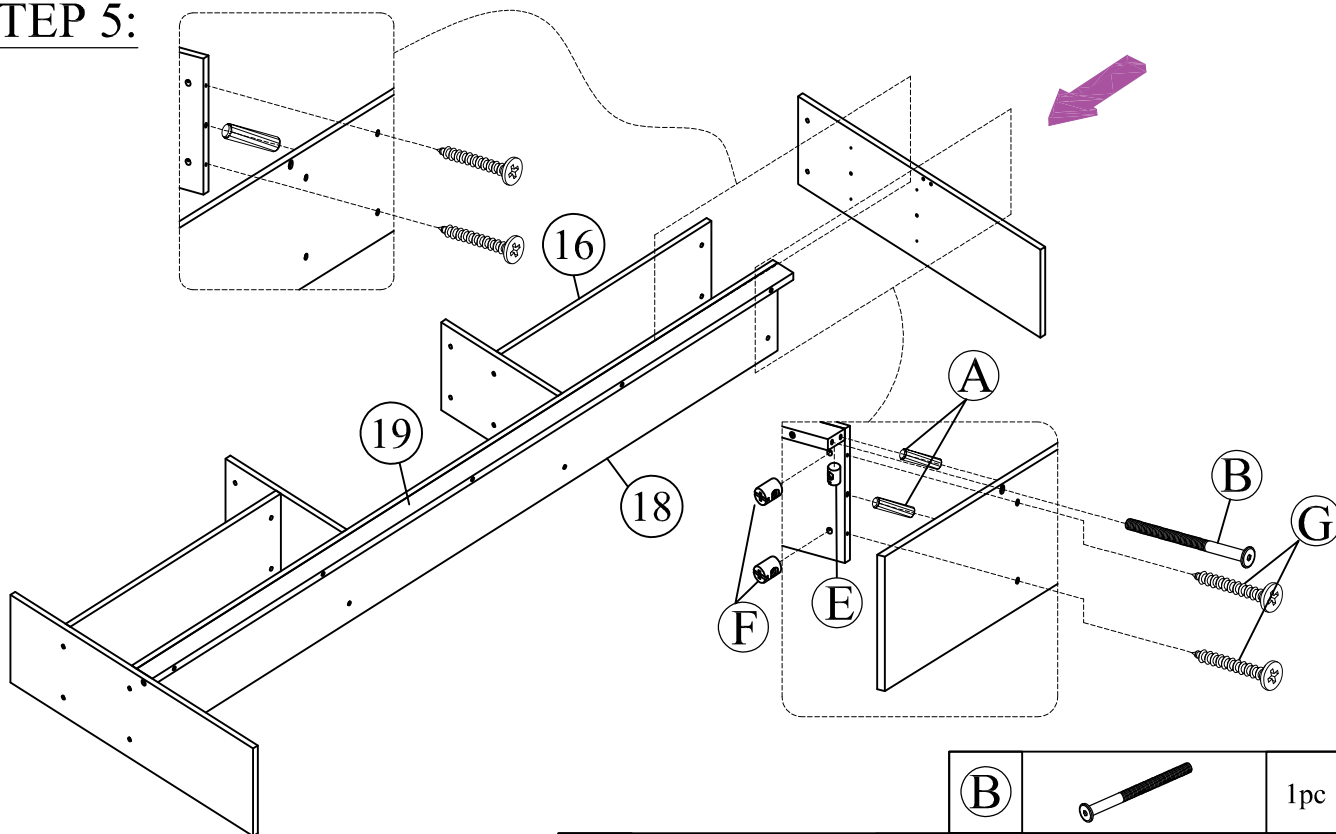
(A)		2pcs
(G)		4pcs
(F)		4pcs




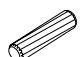

STEP 4:



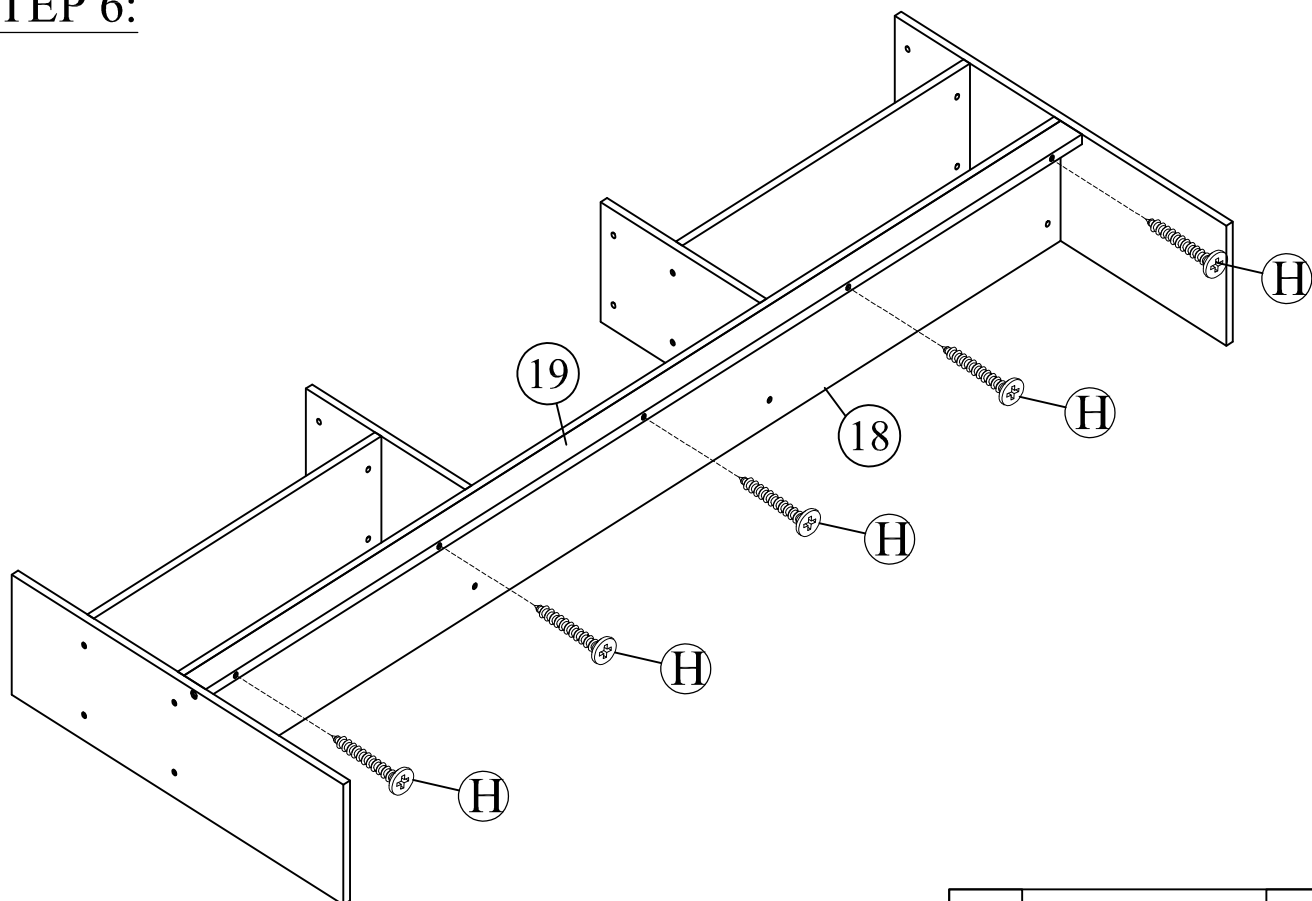
(E)		1pc	(A)		3pcs
(B)		1pc	(G)		4pcs
(Q)		1pc	(F)		4pcs


STEP 5:



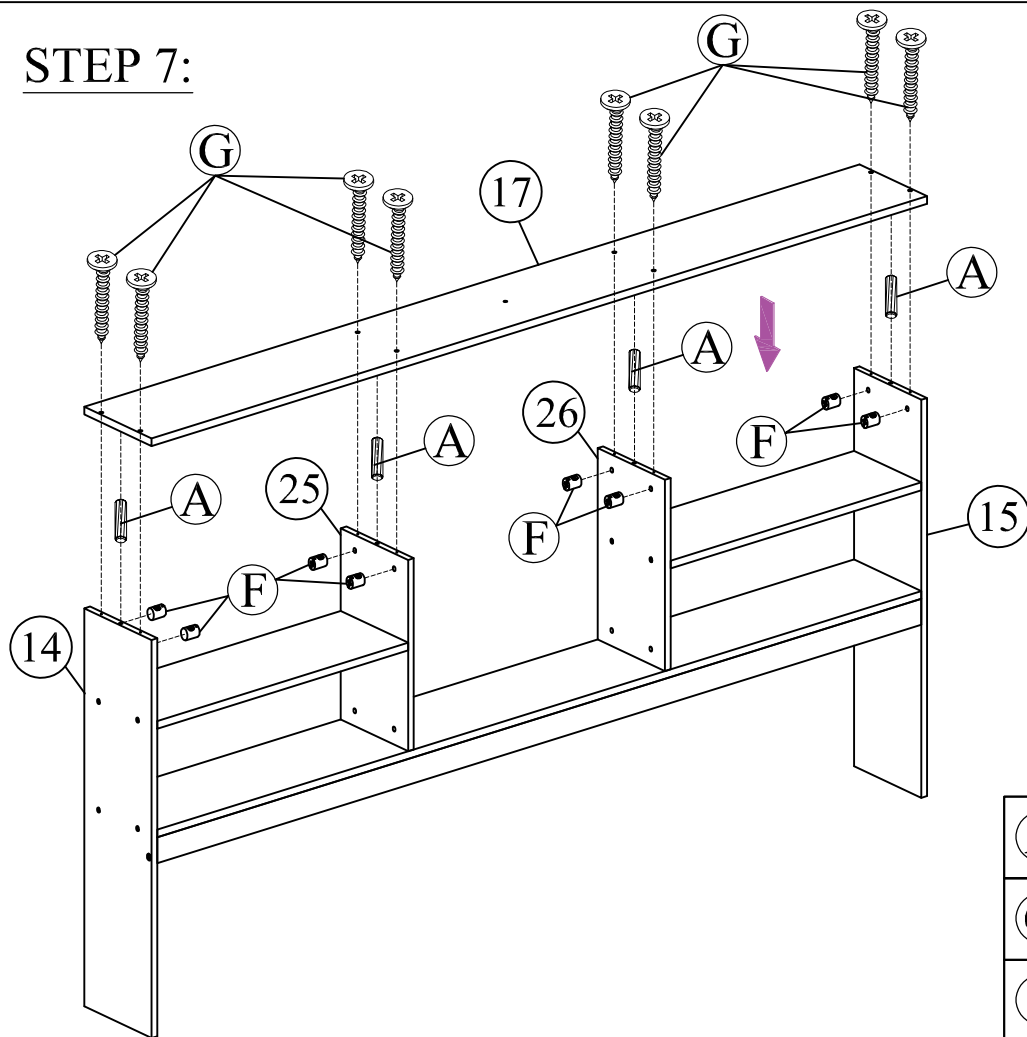
			(B)		1pc
(E)		1pc	(G)		4pcs
(A)		3pcs	(F)		4pcs

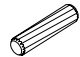


STEP 6:



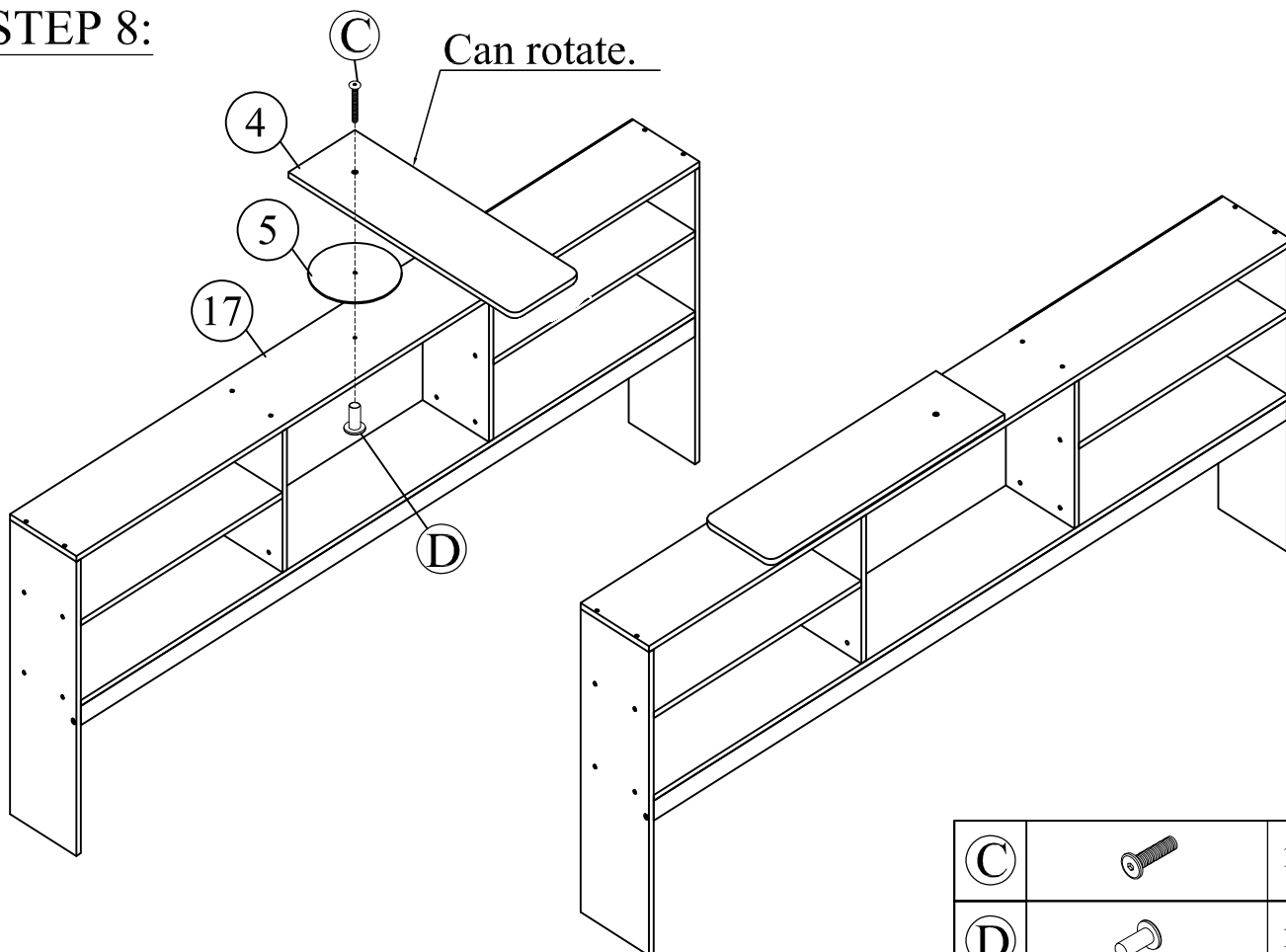
(H)		5pcs
-----	---	------



STEP 7:



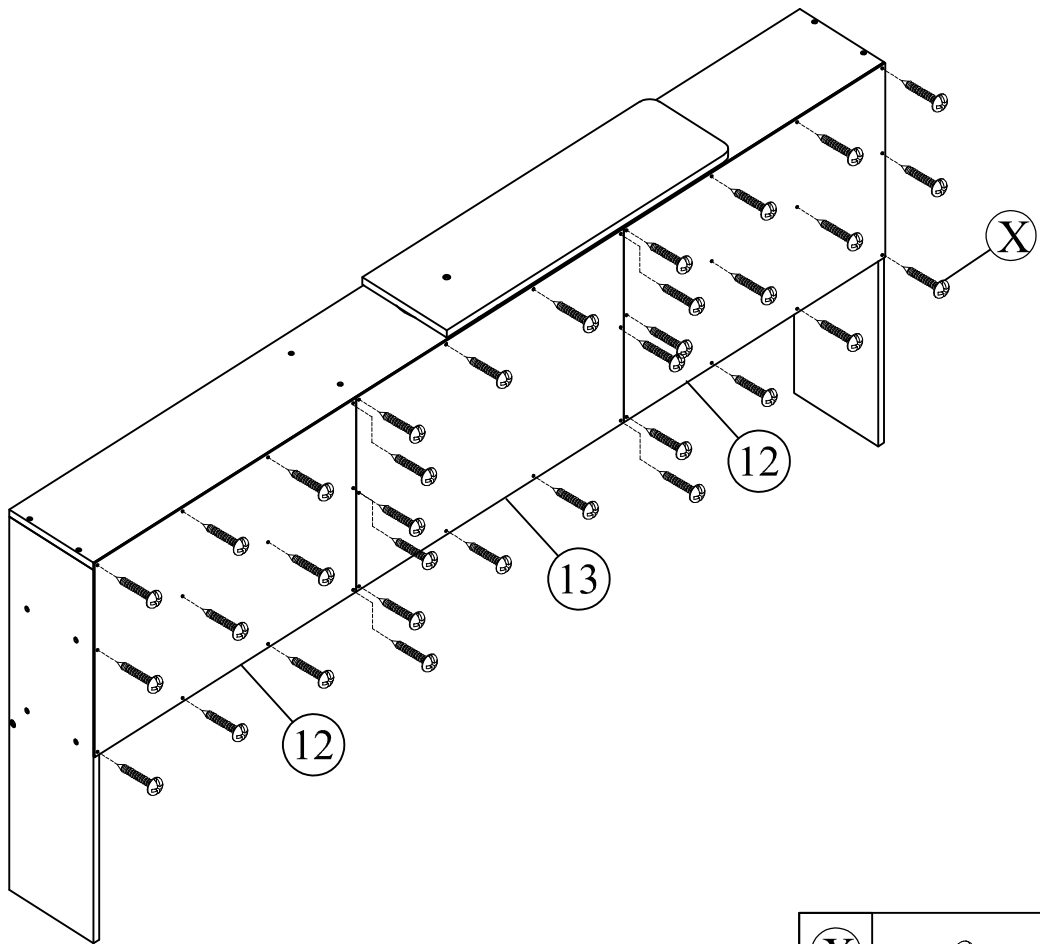
(A)		4pcs
(G)		8pcs
(F)		8pcs


STEP 8:



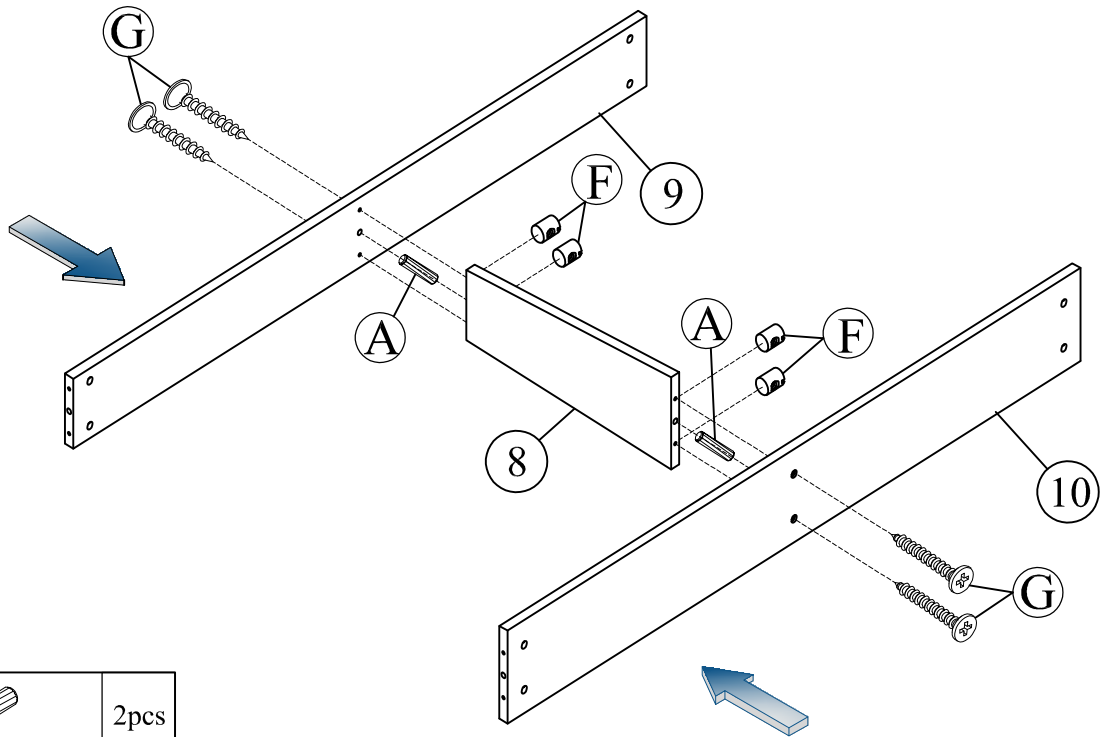
(C)		1pc
(D)		1pc

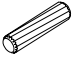


STEP 9:



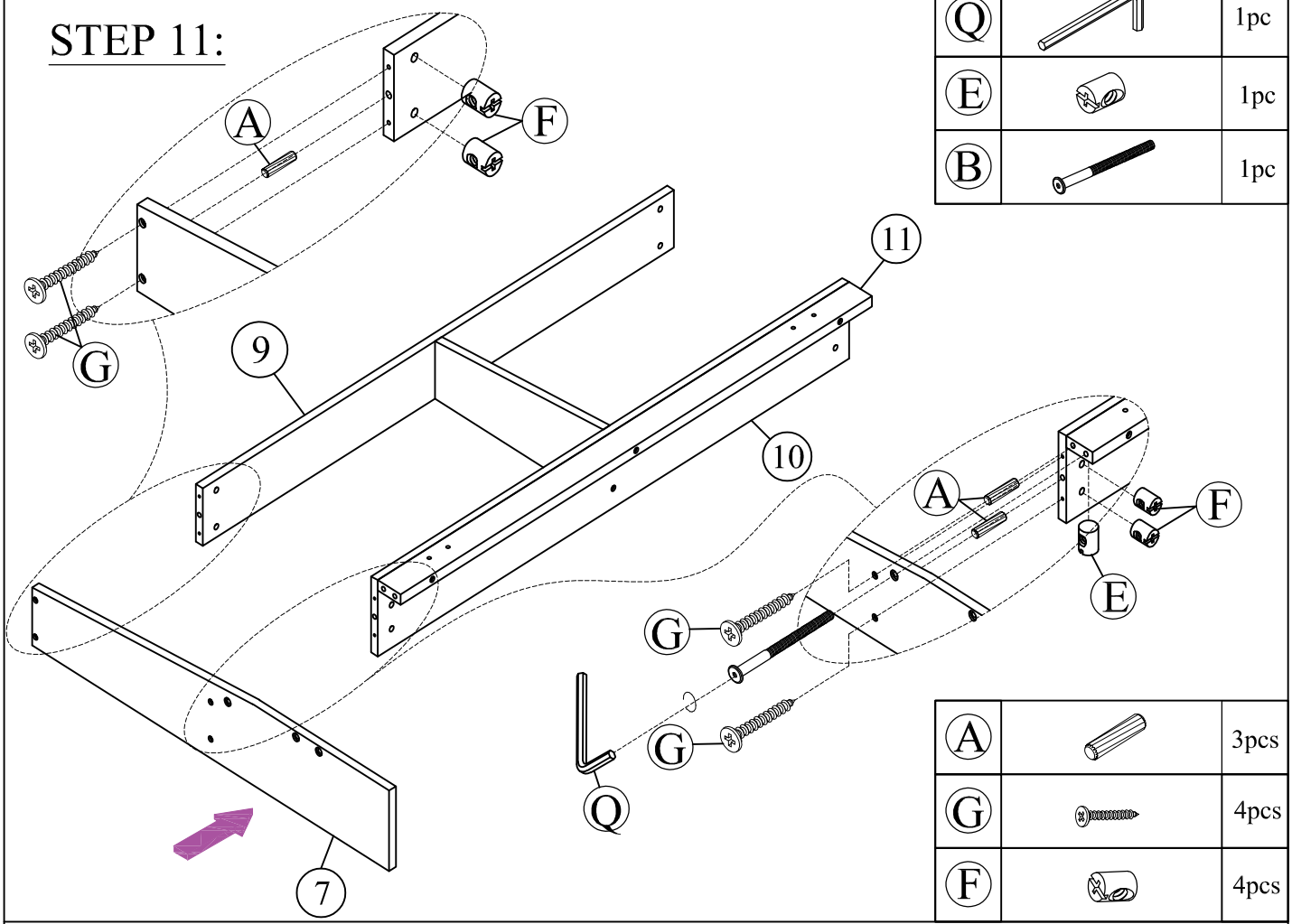
(X)		34pcs
-----	---	-------

STEP 10:



(A)		2pcs
(G)		4pcs
(F)		4pcs

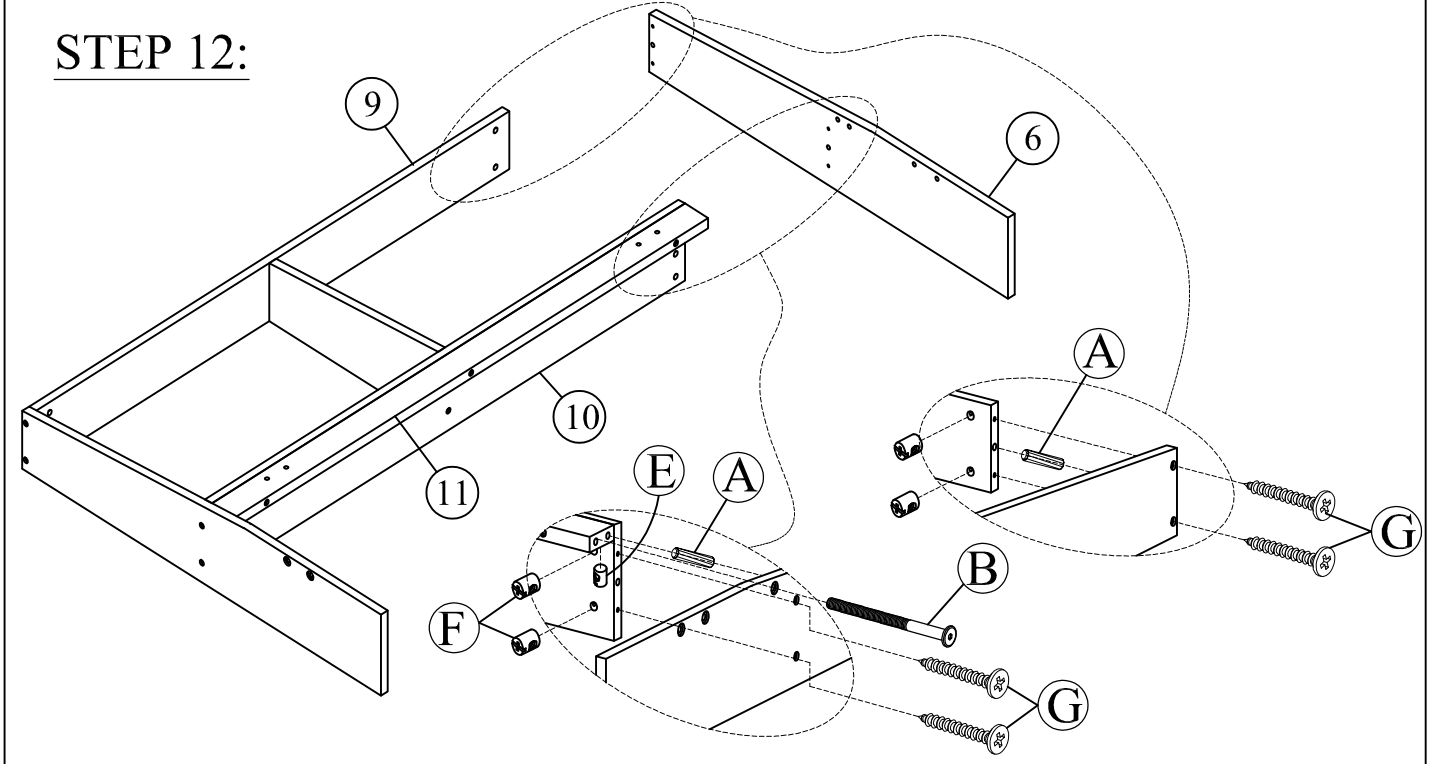
STEP 11:



Q		1pc
E		1pc
B		1pc

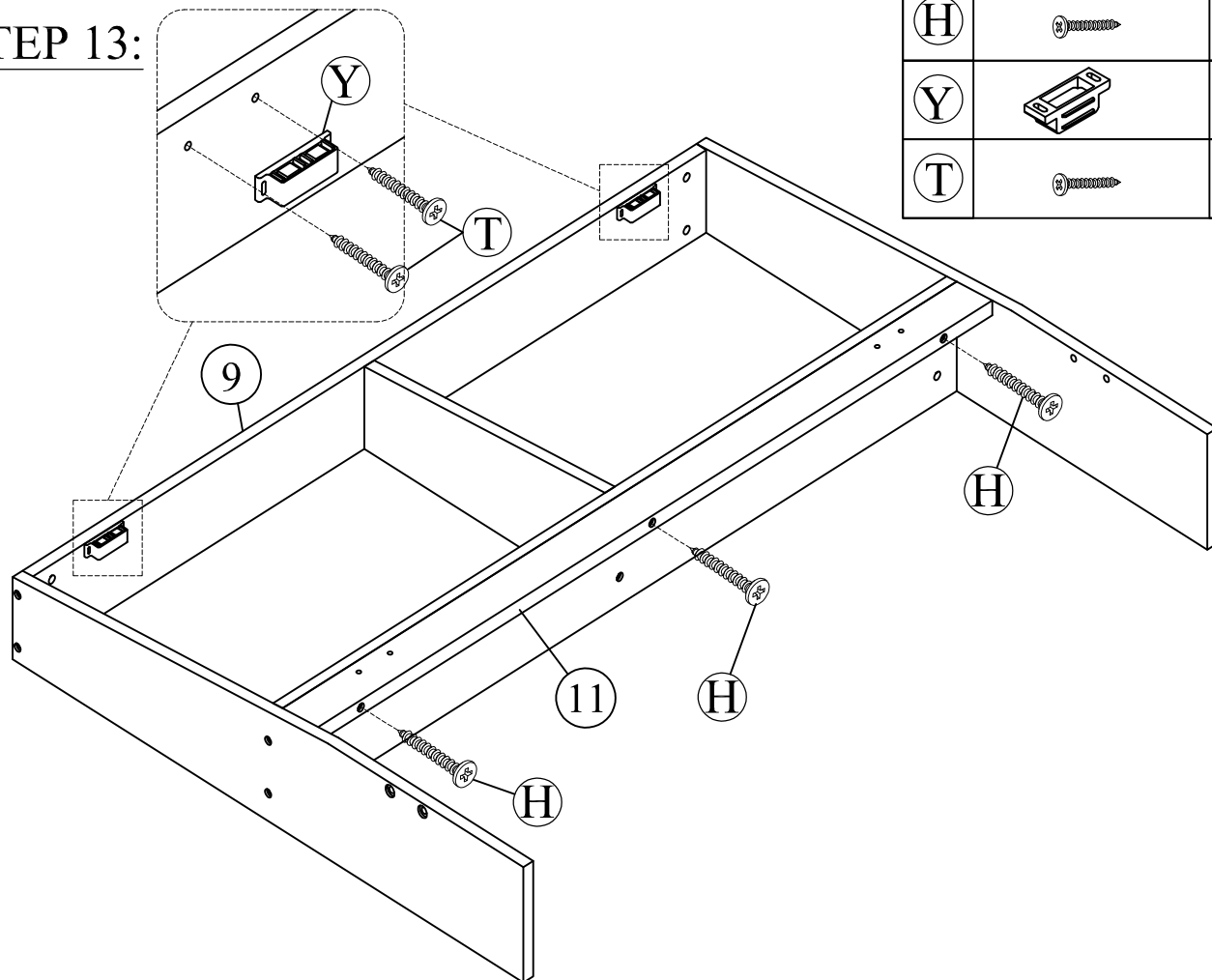
A		3pcs
G		4pcs
F		4pcs

STEP 12:



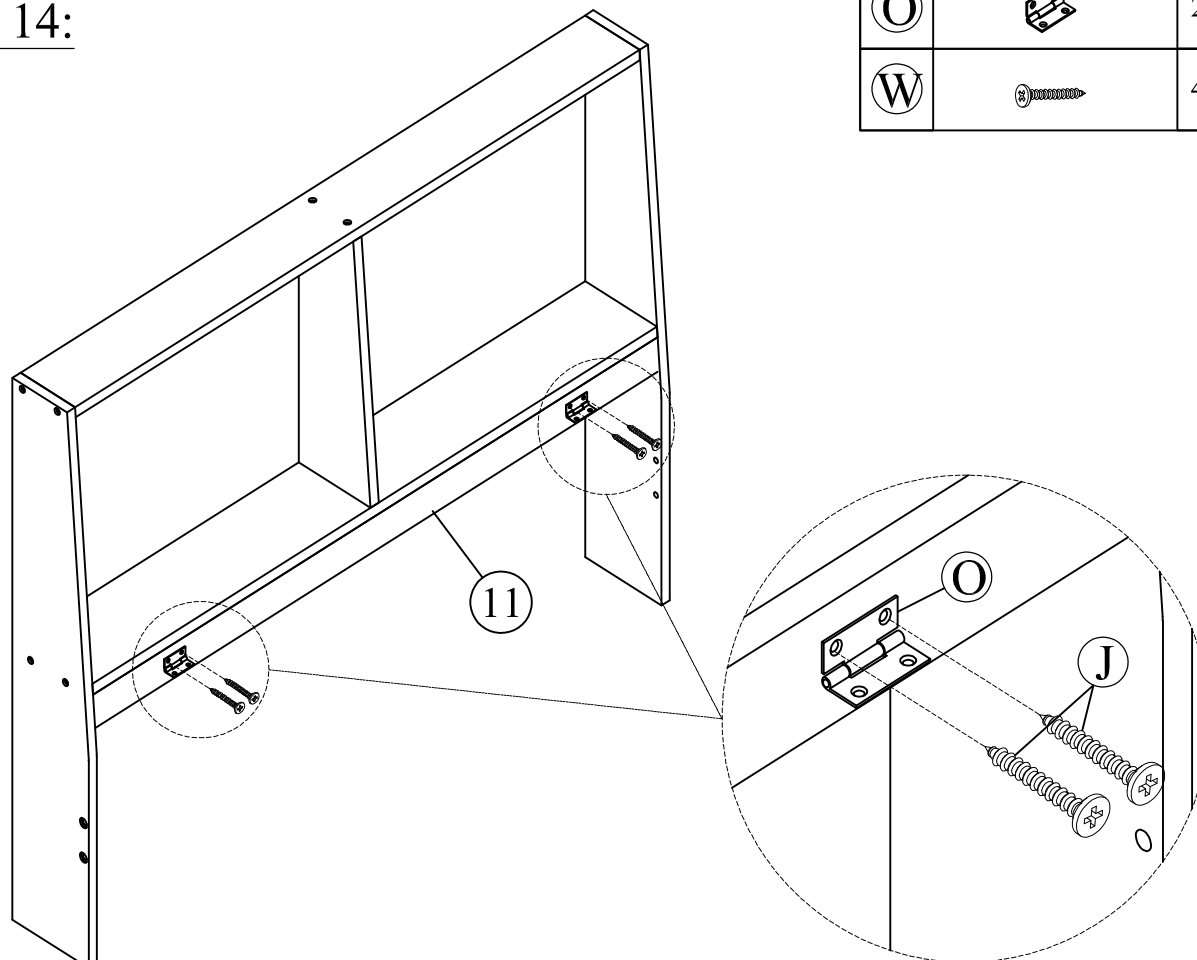
E		1pc
B		1pc
A		3pcs
G		4pcs
F		4pcs

STEP 13:



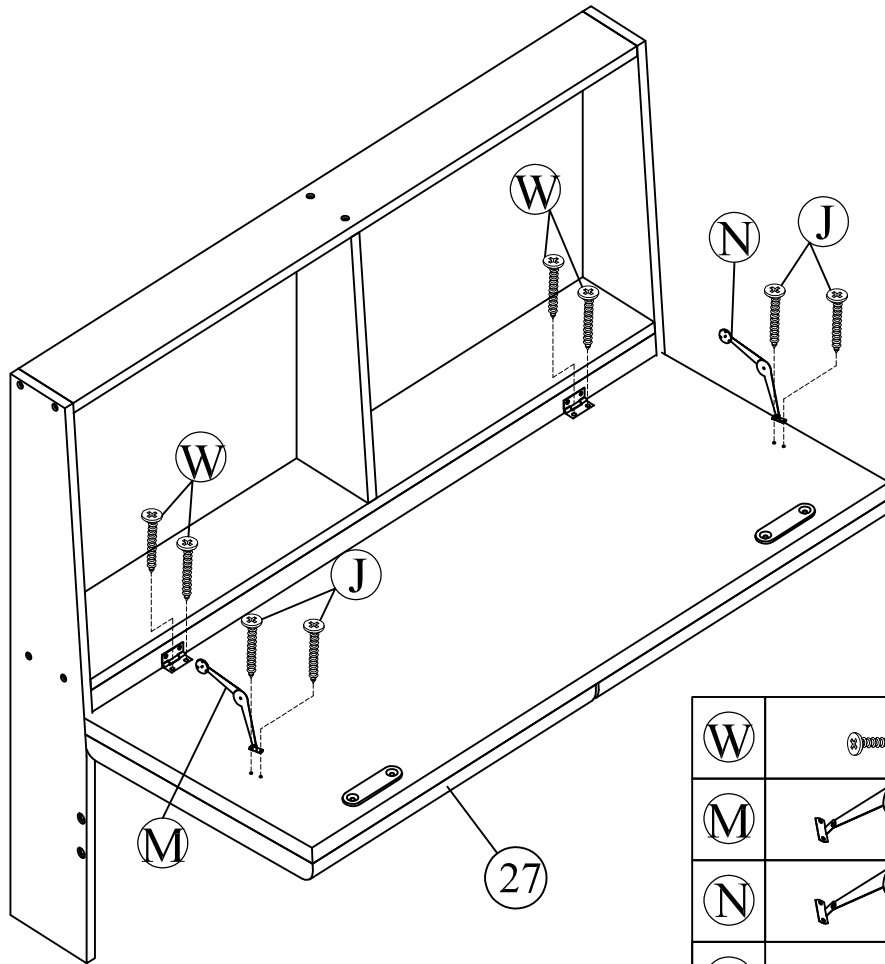
(H)		3pcs
(Y)		2pcs
(T)		4pcs

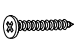


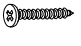
STEP 14:



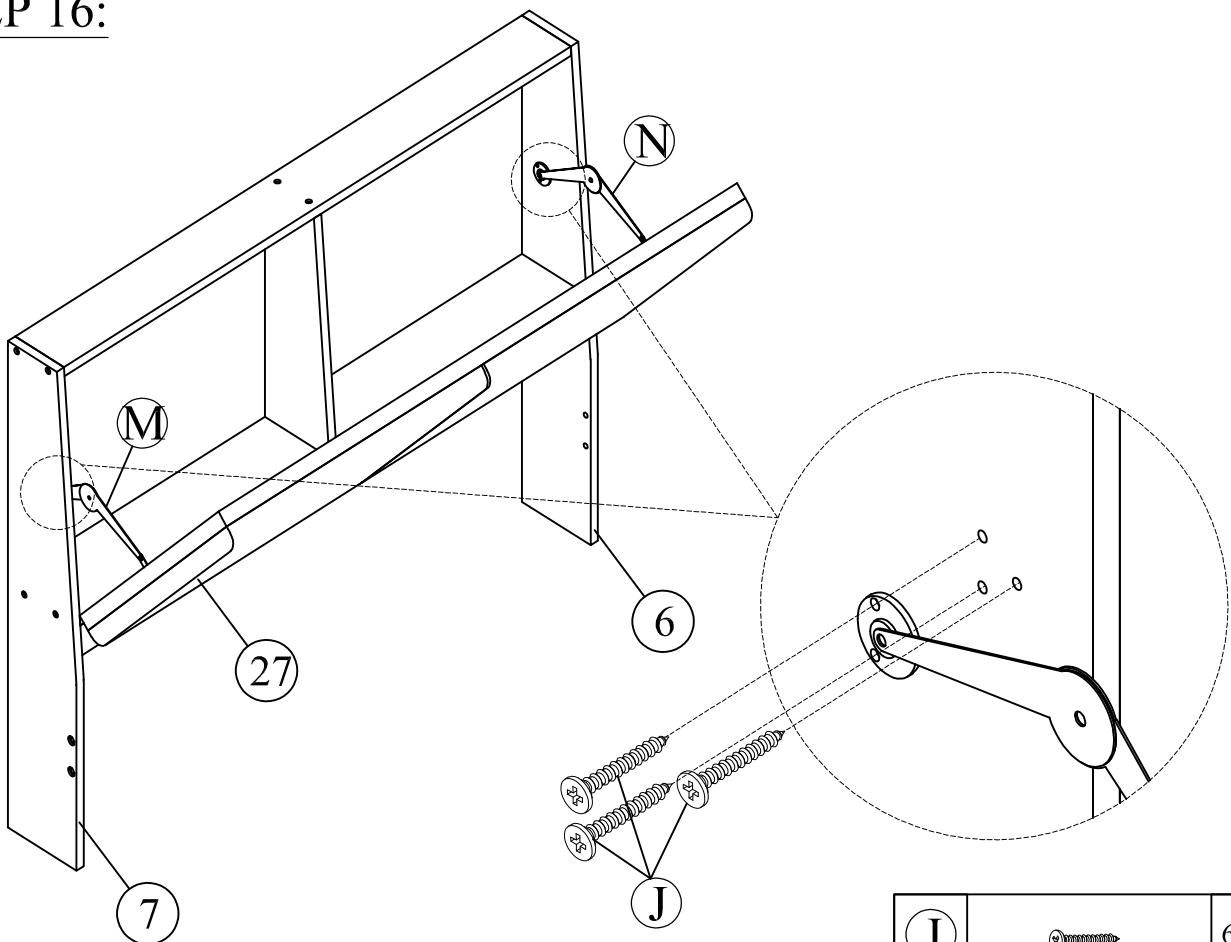
(O)		2pcs
(W)		4pcs


STEP 15:



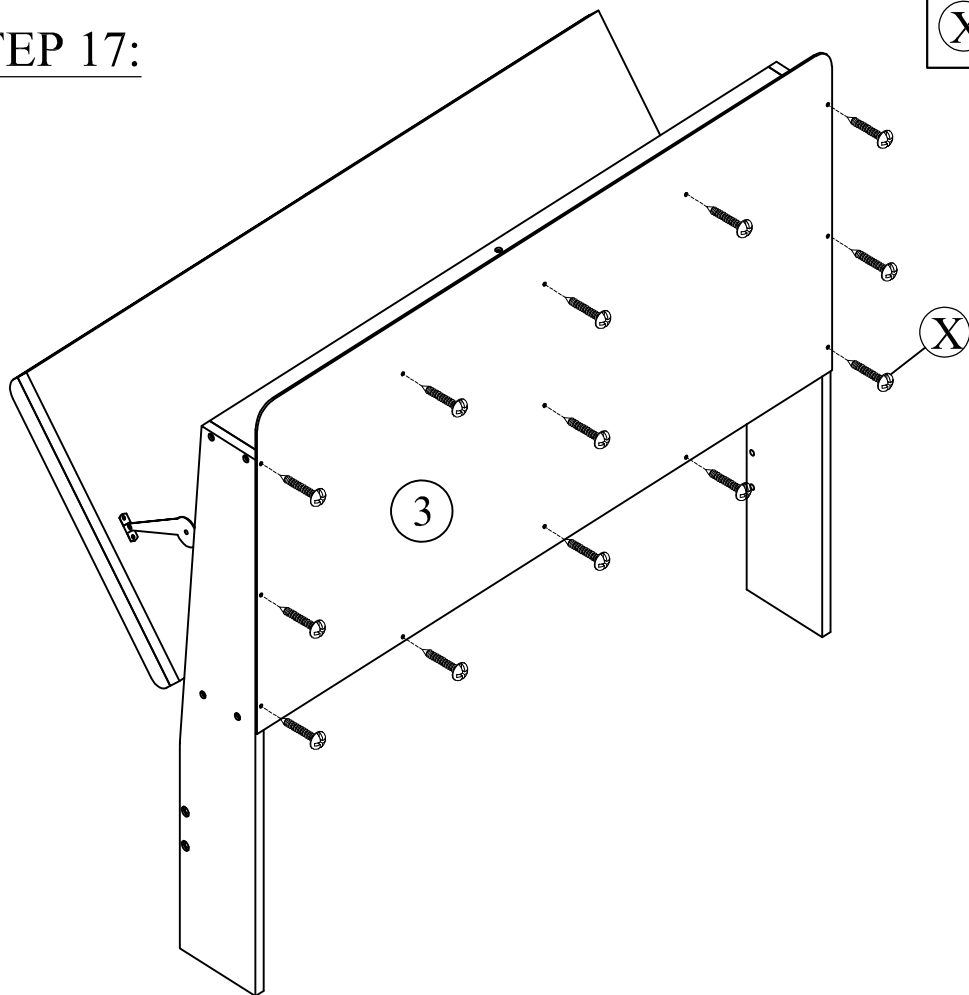
W		4pcs
M		1pc
N		1pc
J		4pcs


STEP 16:



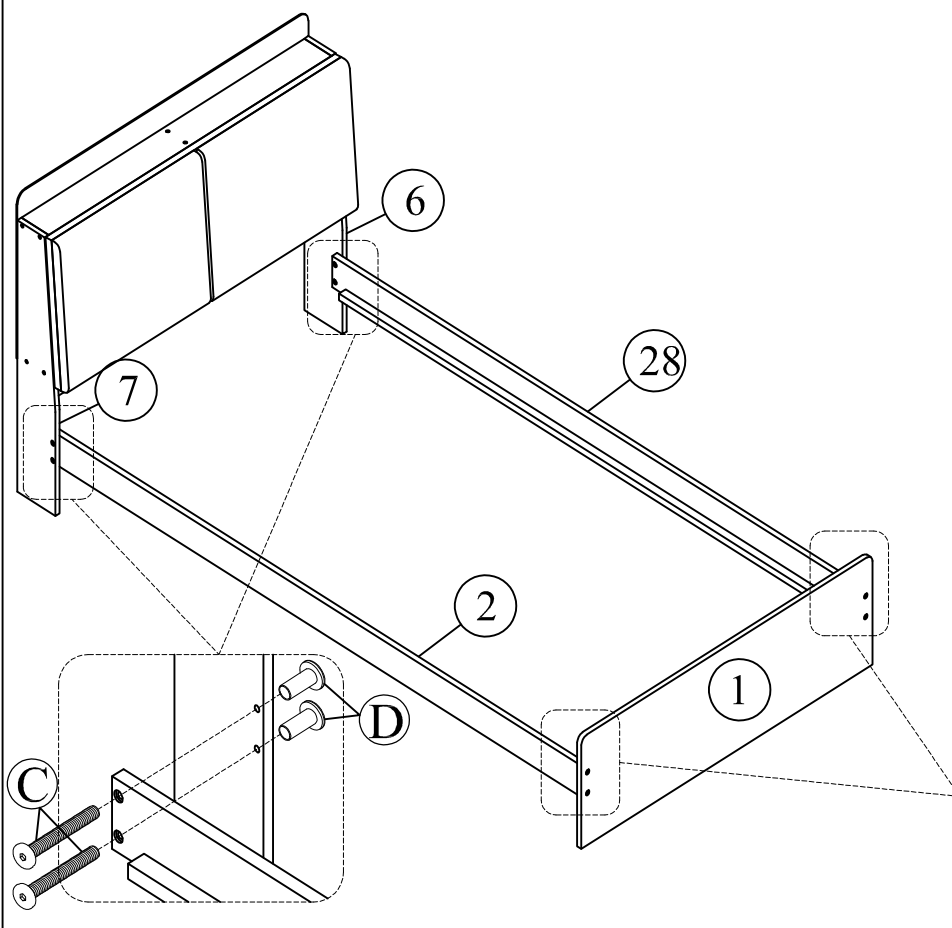
J		6pcs
---	---	------





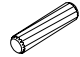
STEP 17:




(X)		13pcs
-----	---	-------

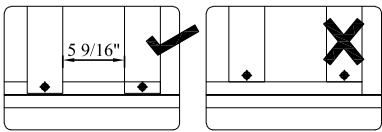
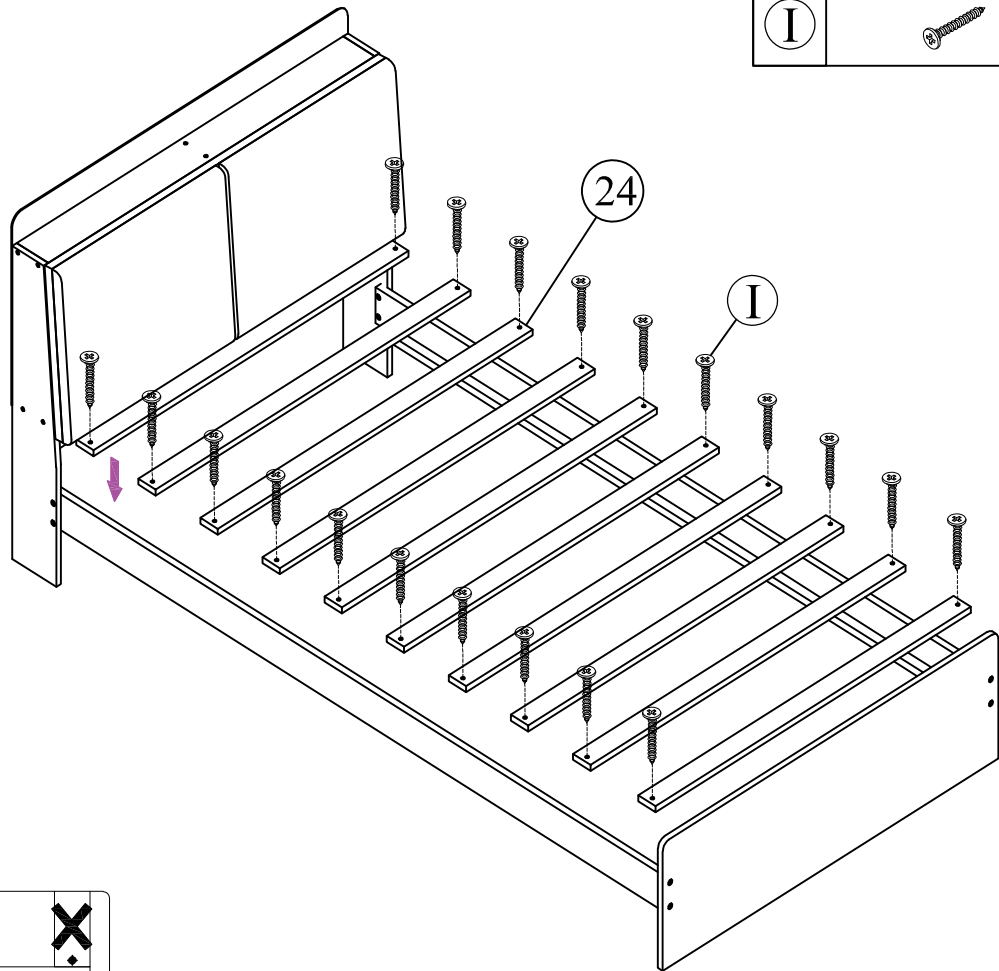
STEP 18:



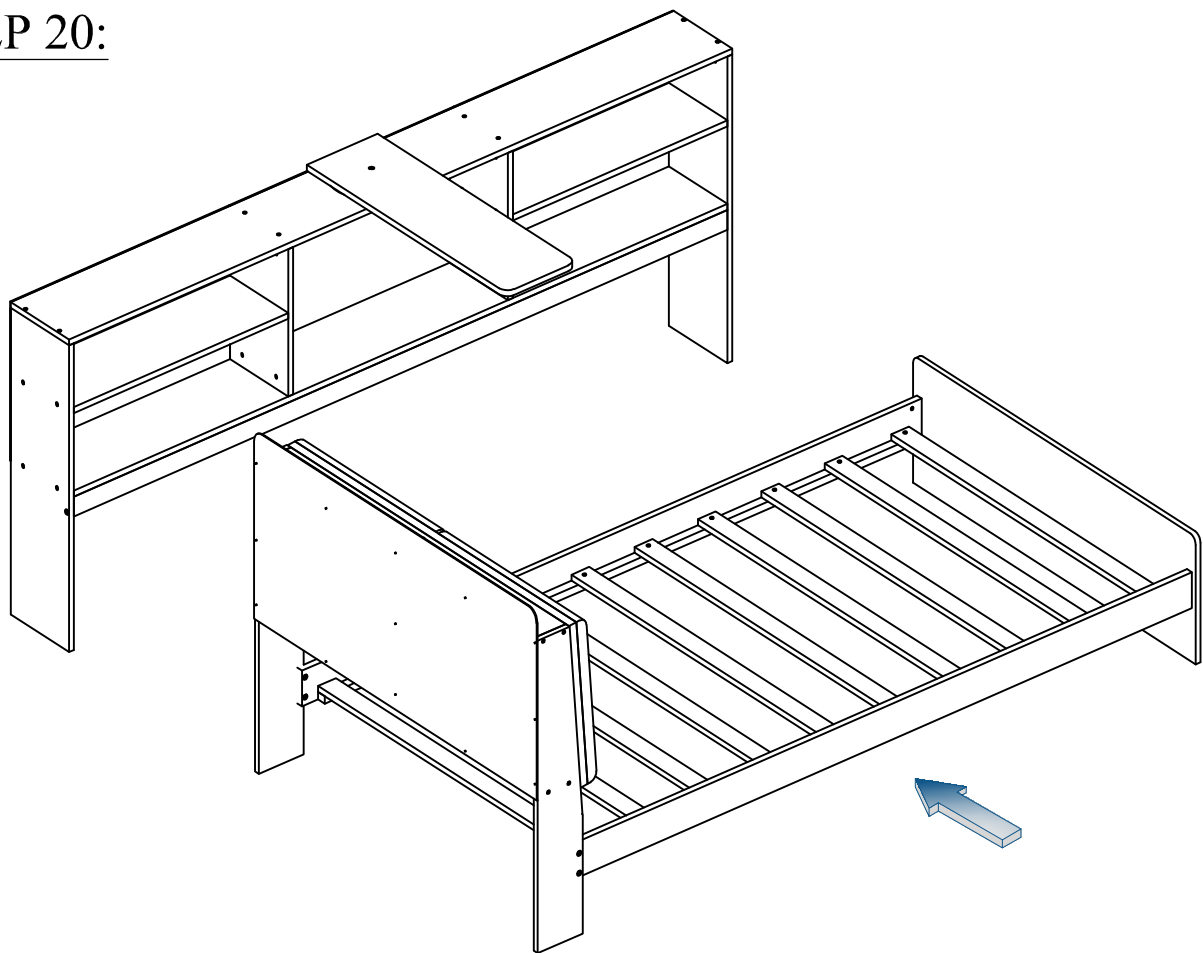
(C)		4pcs
(D)		4pcs
(E)		4pcs
(B)		4pcs
(A)		2pcs

STEP 19:

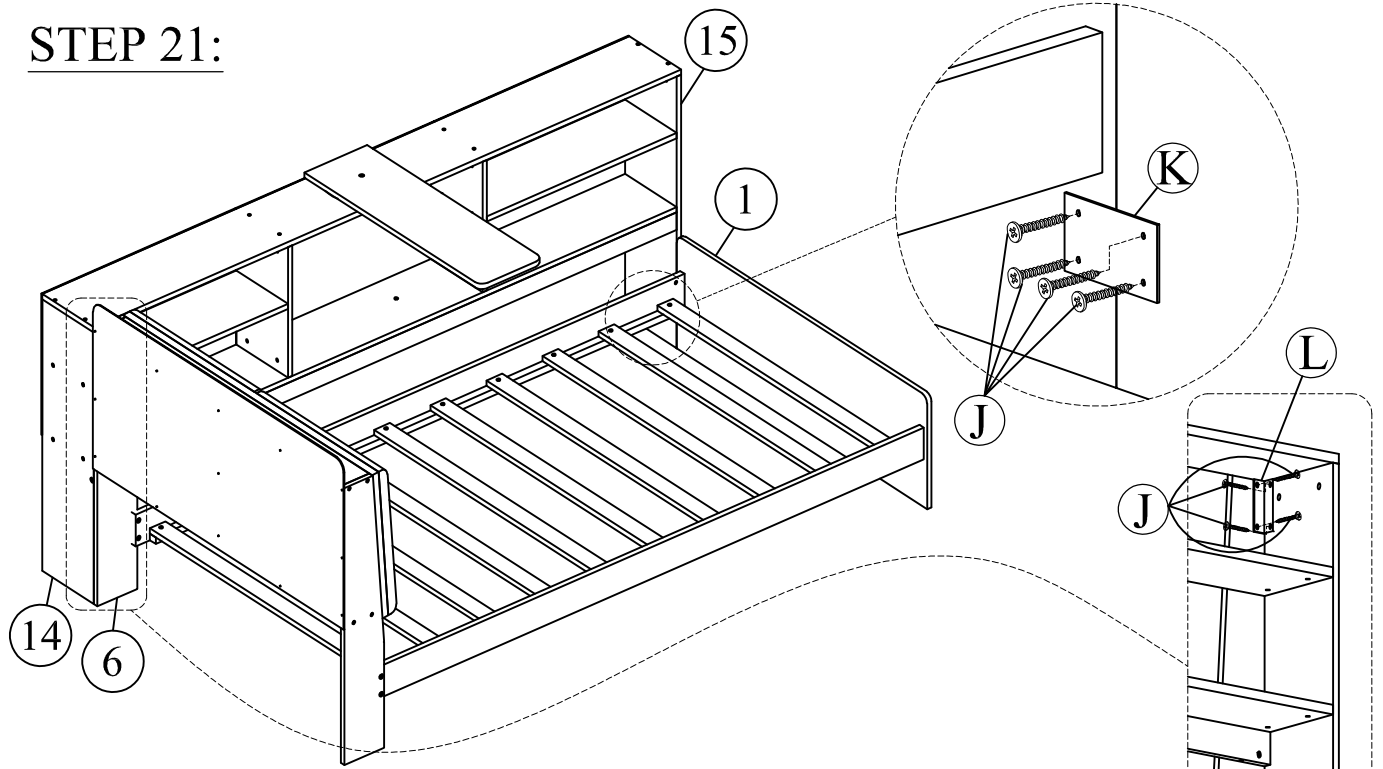
I		20pcs
---	---	-------

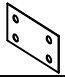

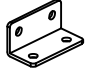


STEP 20:



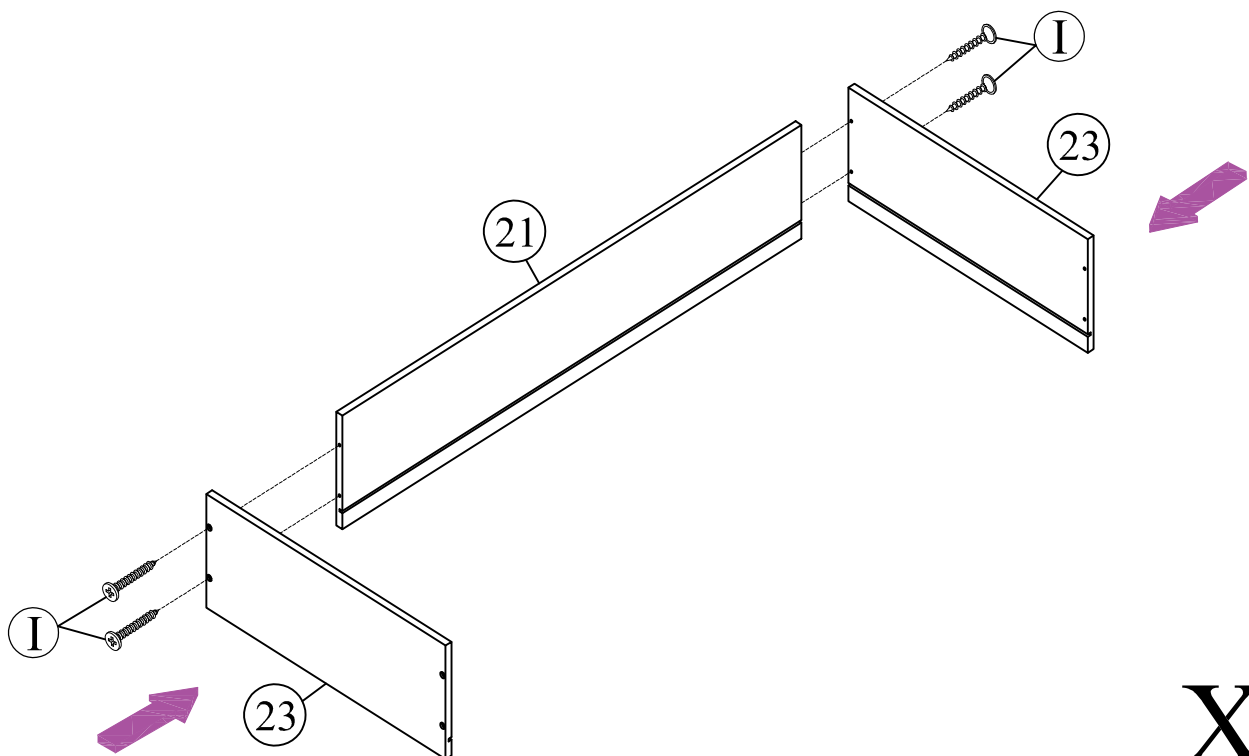
STEP 21:



(K)		1pc
(J)		12pcs
(L)		2pcs

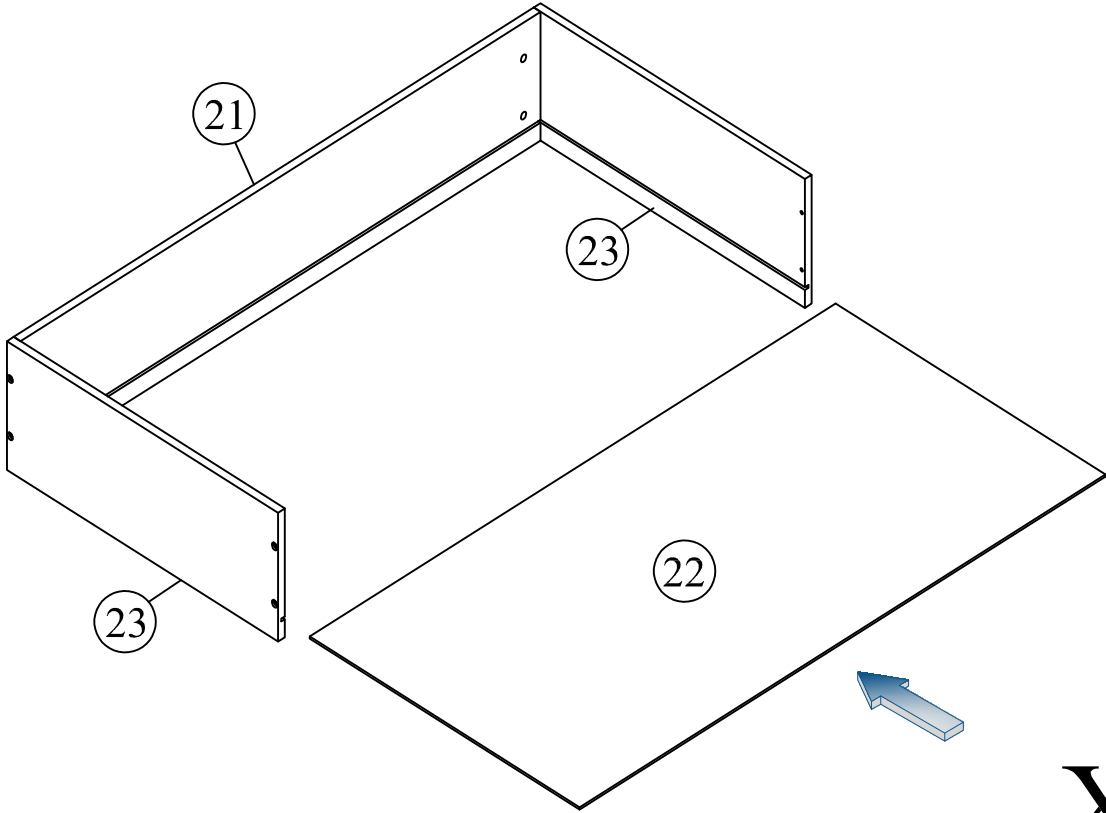
STEP 22:

(I)		8pcs
-----	---	------



X2

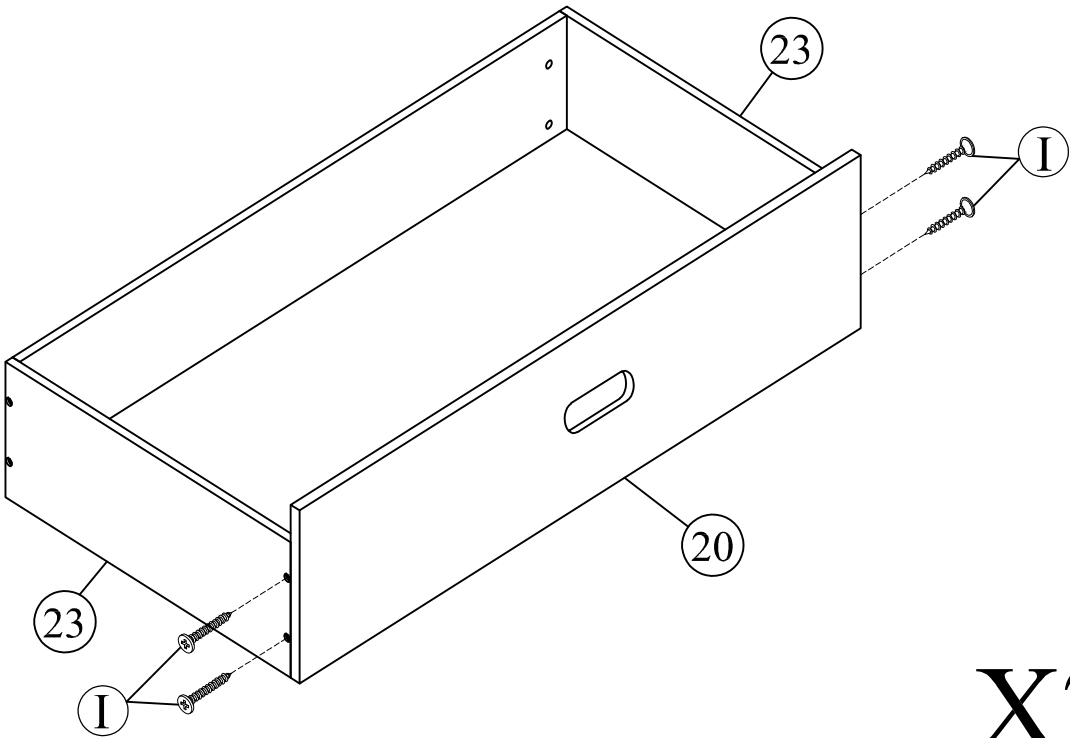
STEP 23:



X2

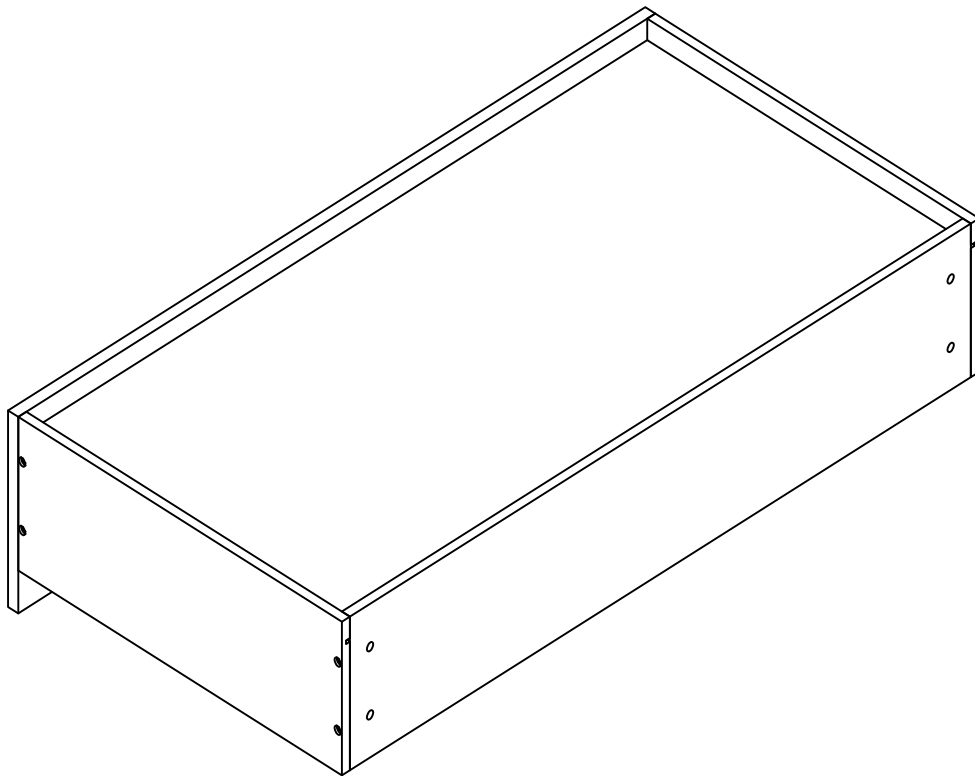
STEP 24:

I		8pcs
---	---	------




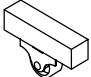
X2

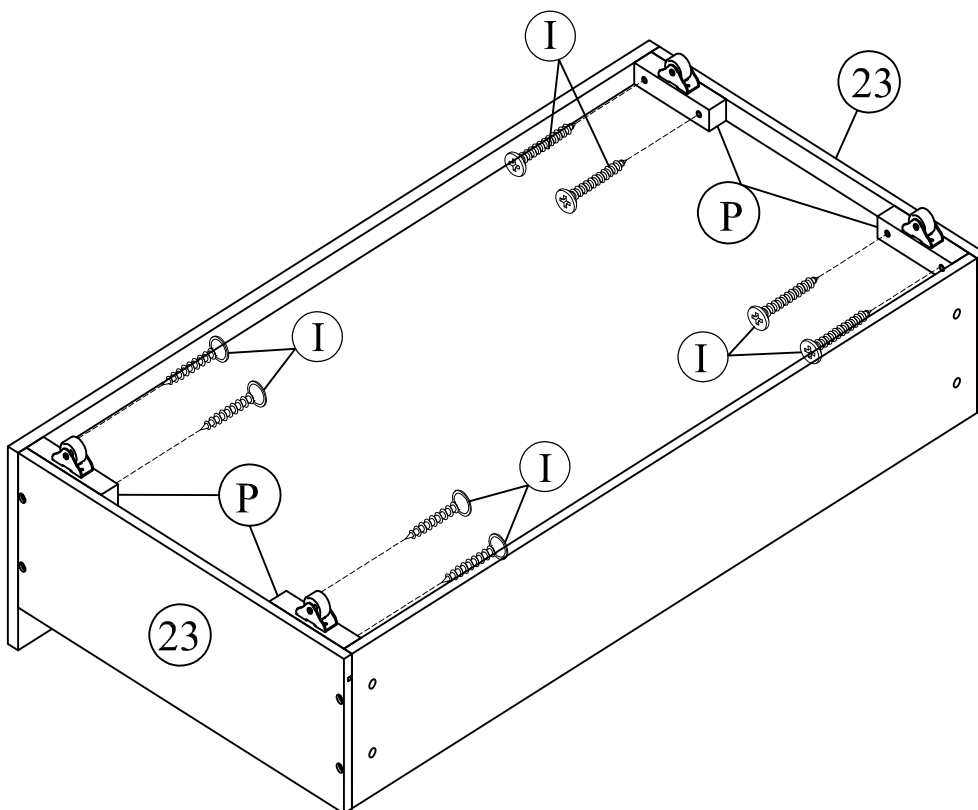
STEP 25:



X2

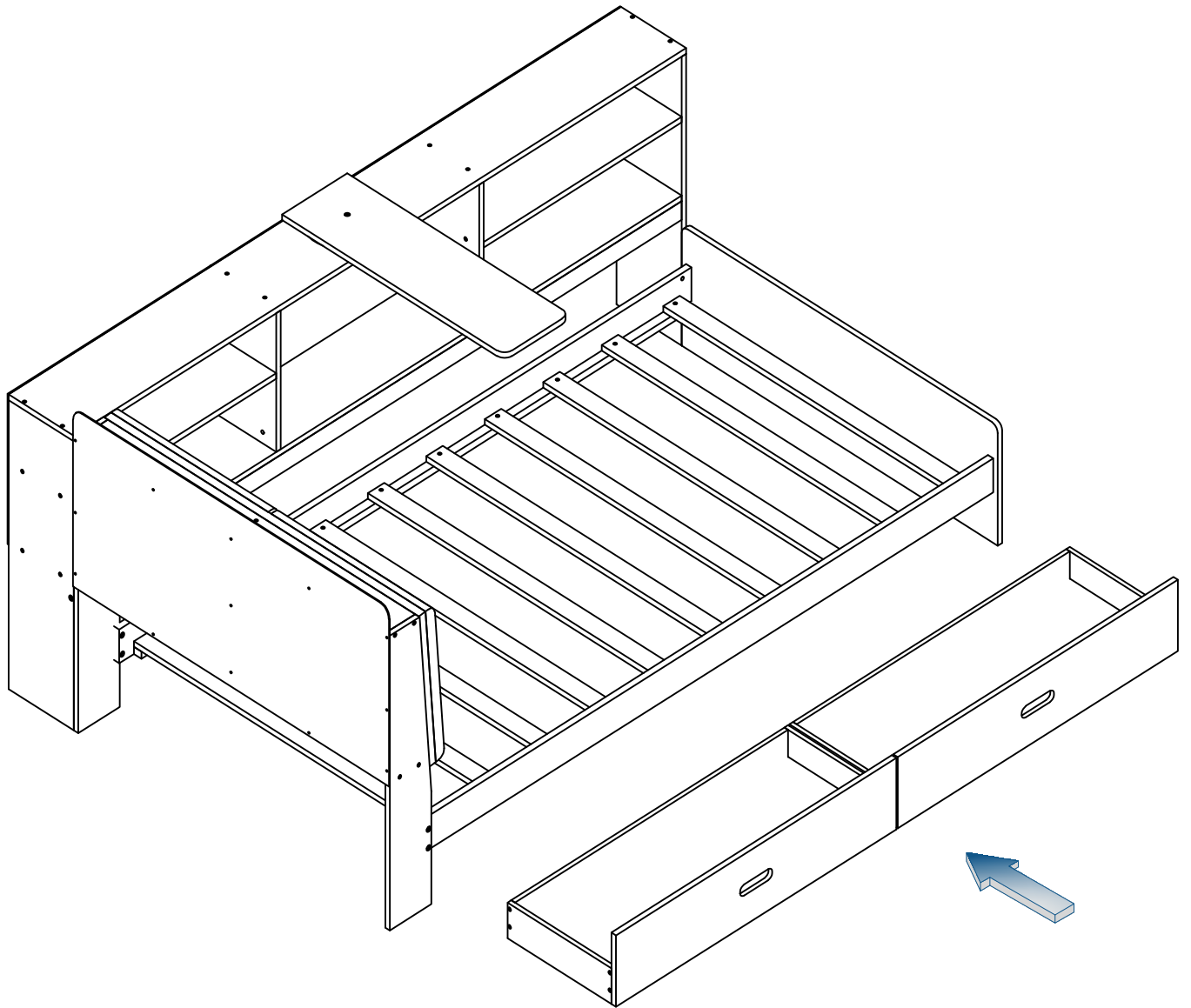
STEP 26:

I		16pcs
P		8pcs





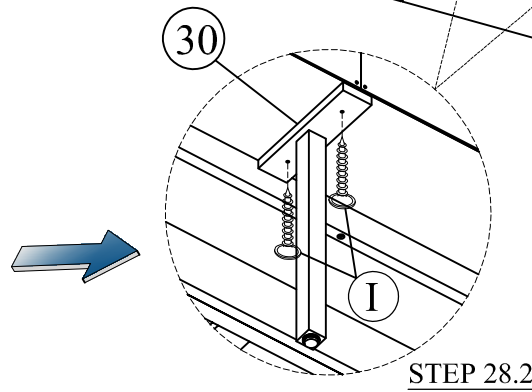
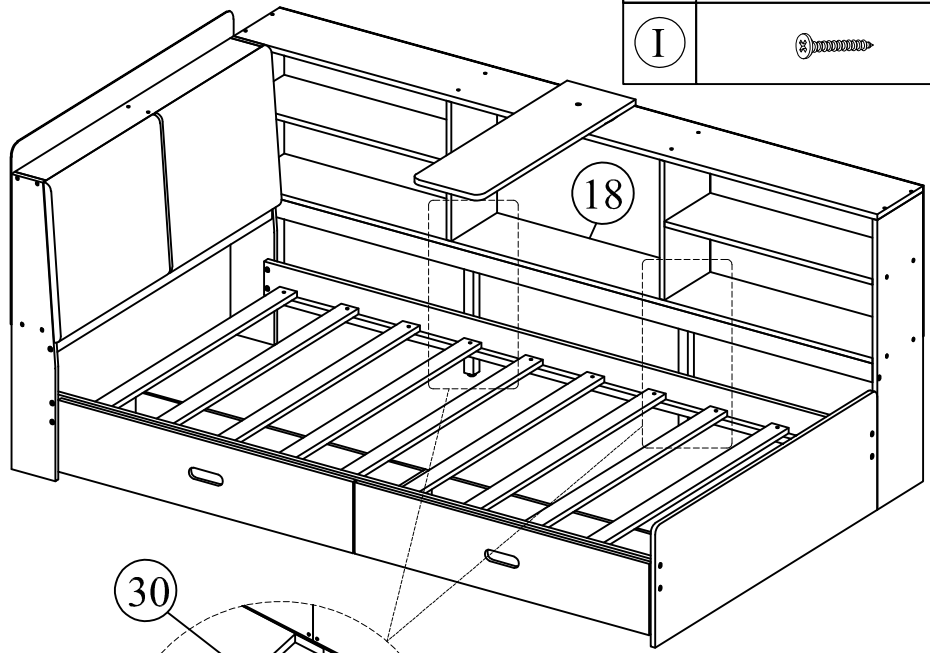
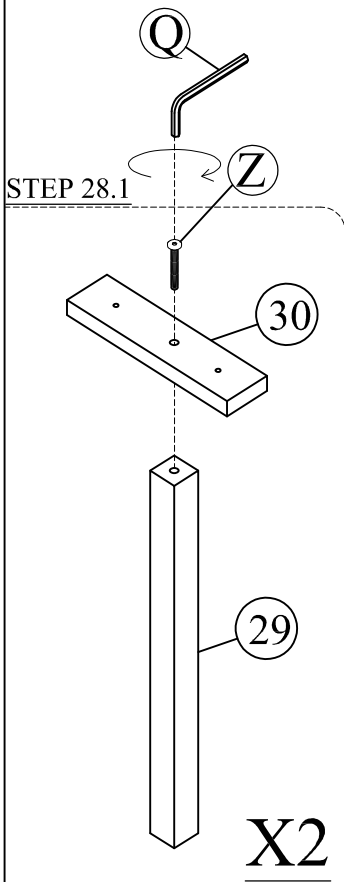
X2


STEP 27:



STEP 28:

Z		2pcs
I		4pcs



Q		1pc
---	---	-----

FINAL:

