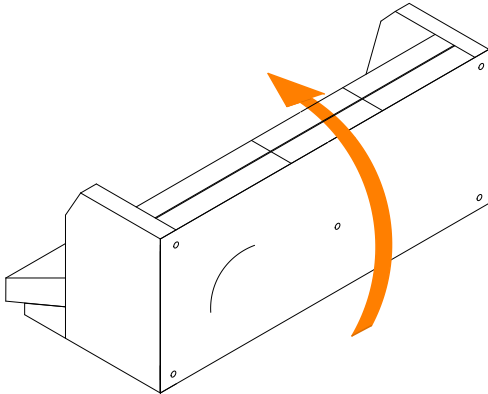


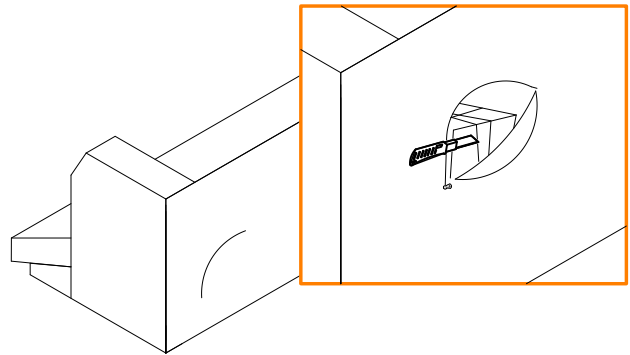
Leg Assembly Instructions

STEP 1



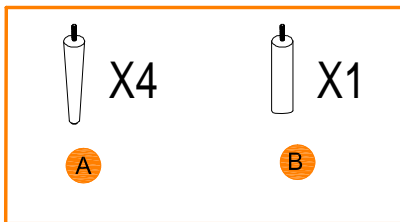
STEP 2

Cut the strip inside and remove the package out.

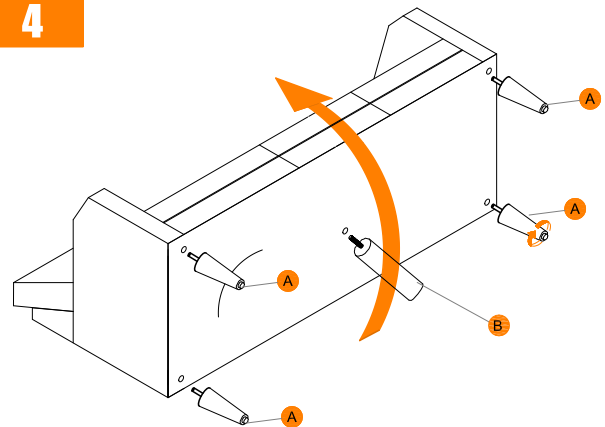


STEP 3

Unpack the parts package.



STEP 4



STEP 5

