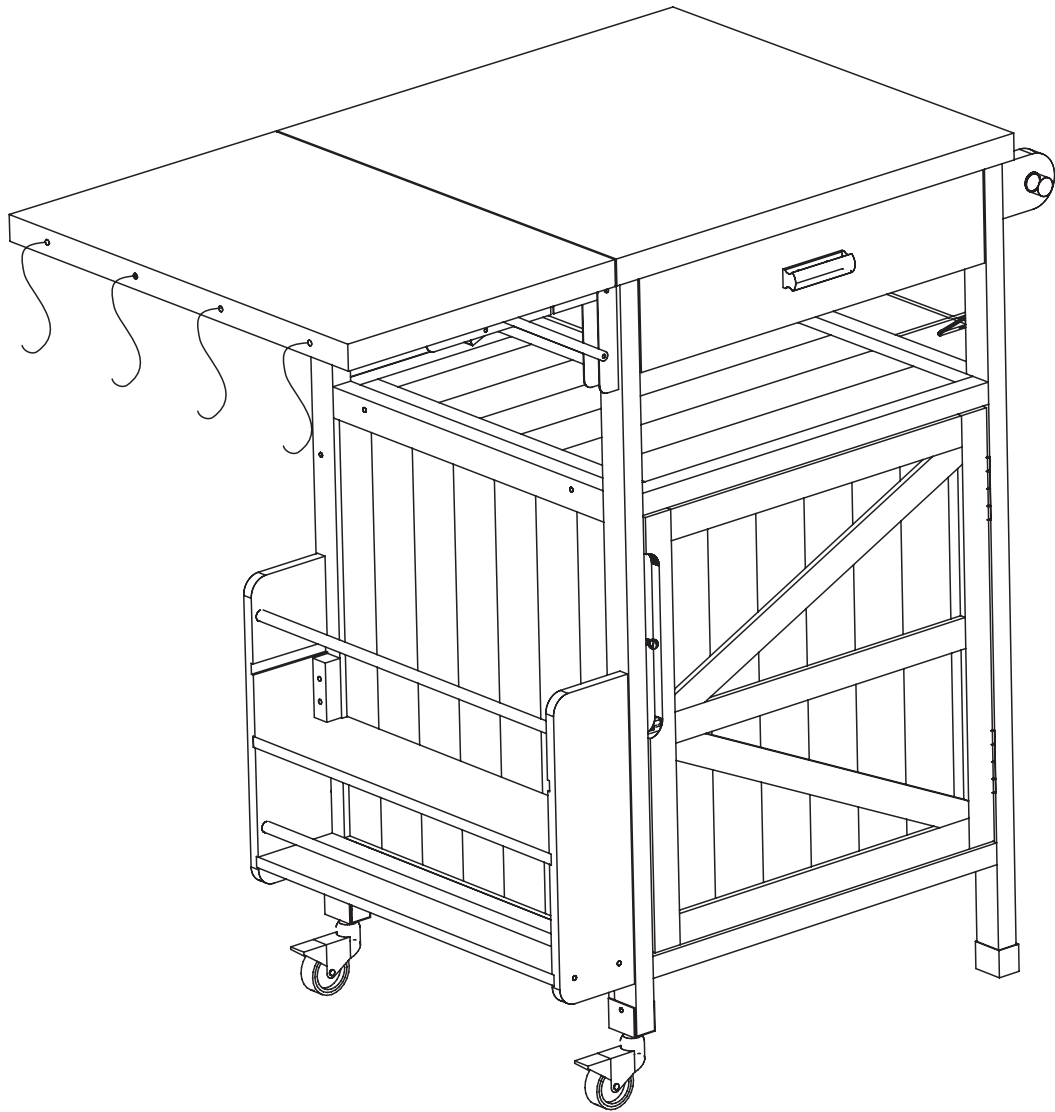


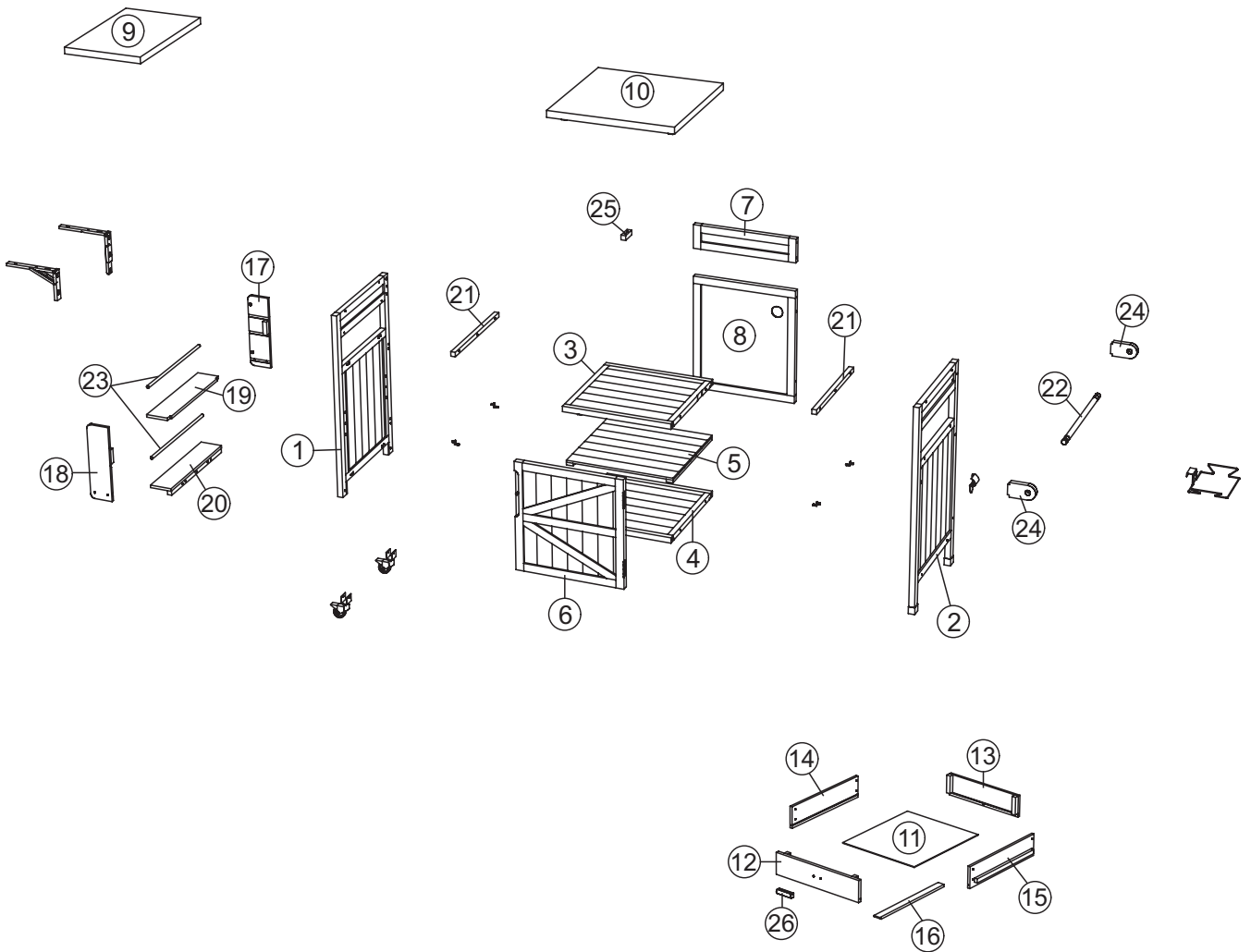
ASSEMBLY INSTRUCTION

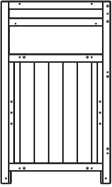
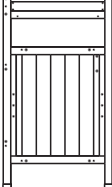
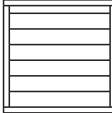
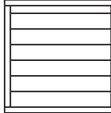

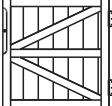

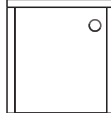
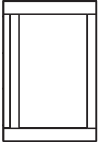
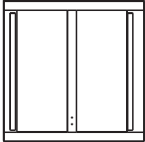



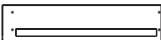
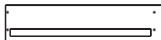

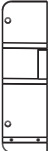




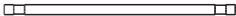






IMPORTANT NOTE:








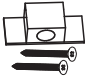






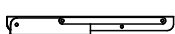

- ① PLACE ALL PARTS ON A CLEAN AND SMOOTH SURFACE SUCH AS A RUG OR CARPET TO AVOID THE PARTS FROM BEING SCRATCHED.
- ② BEFORE YOU BEGIN, KINDLY FOLLOW THE ASSEMBLY INSTRUCTIONS STEP BY STEP.
- ③ DO NOT TIGHTEN ALL SCREWS AND BOLTS UNTIL THIS ITEM IS FULLY SET-UP.

Detail View

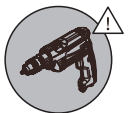
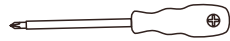


1 	2 	3 	4 
1pc	1pc	1pc	1pc
5 	6 	7 	8 
1pc	1pc	1pc	1pc
9 	10 	11 	12 
1pc	1pc	1pc	1pc
13 	14 	15 	16 
1pc	1pc	1pc	1pc
17 	18 	19 	20 
1pc	1pc	1pc	1pc
21 	22 	23 	24 
2pcs	1pc	2pcs	2pcs
25 	26 		
1pc	1pc		

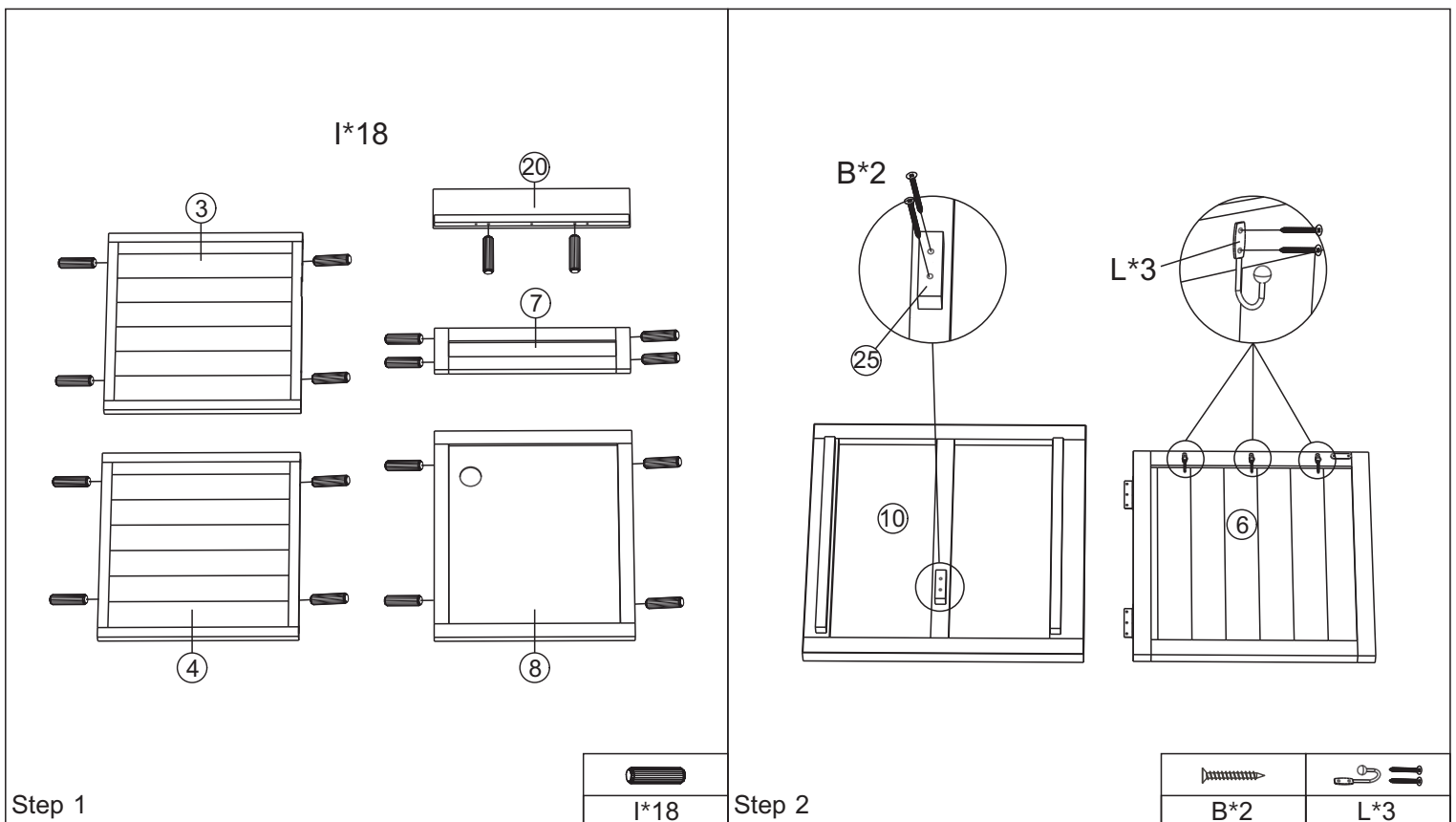
Hardware List

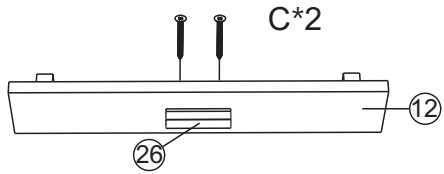
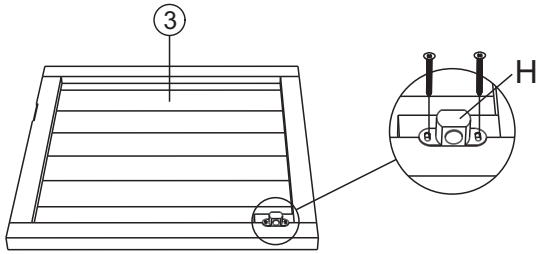
A	 Ø 3.5*50 14pcs	B	 Ø 3.5*40 23pcs	C	 Ø 3.5*30 2pcs	D	 Ø 3.0*30 9pcs		
E	 Ø 3.0*28 4pcs	F	 Ø 3.0*18 6pcs	G	 Ø 3.5*16 18pcs	H	 1pc		
I	 18pcs	J	 4pcs	K	 1pc	L	 3pcs	M	 4pcs
N	 2pcs	O	 2pcs	P	 1pc				

ASSEMBLY TOOLS REQUIRED(NOT INCLUDED)





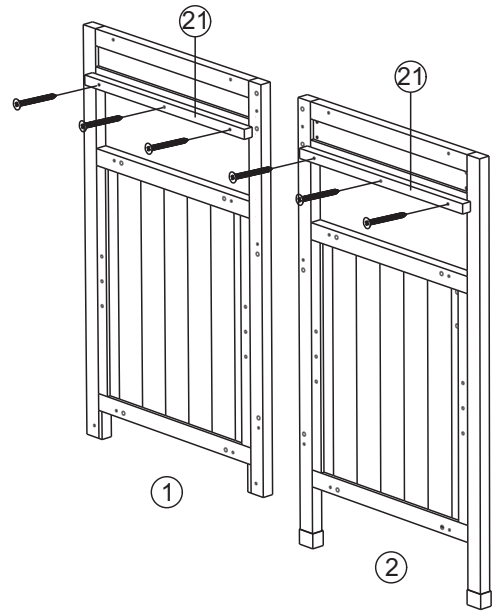
PLEASE BE CAREFUL DO NOT DAMAGE THE HOLE POSITION WHEN YOU USE POWERTOOLS !






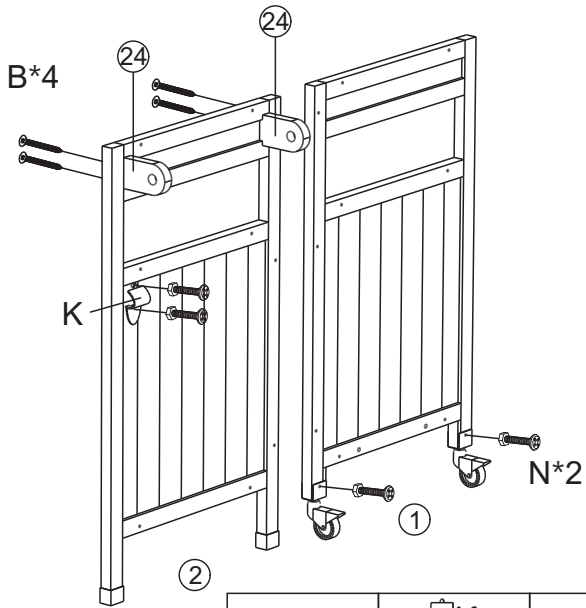
Step 3

	
C*2	H*1






Step 4

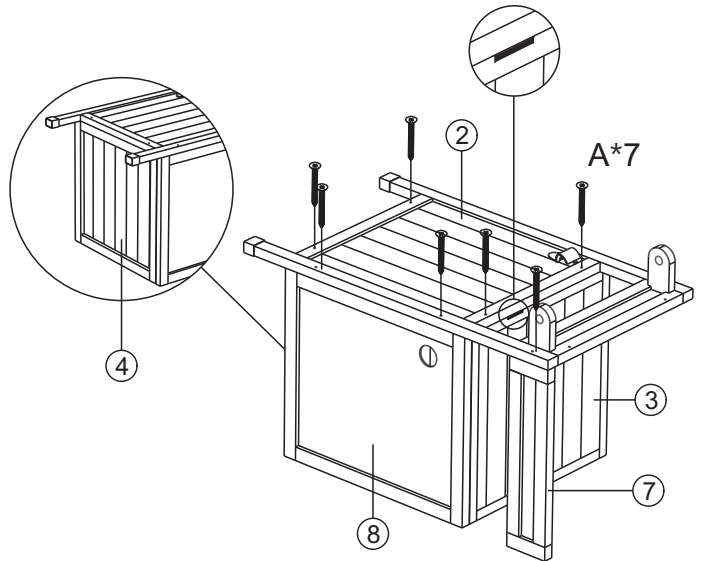

B*6




Step 5

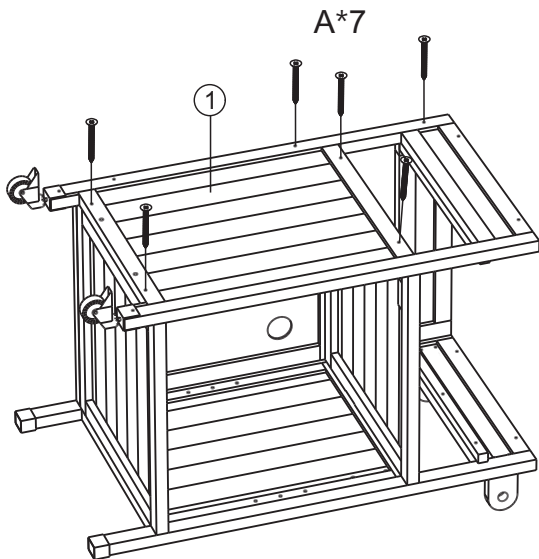
		
B*4	K*1	N*2

Attention the direction of Part 3. There is Gap




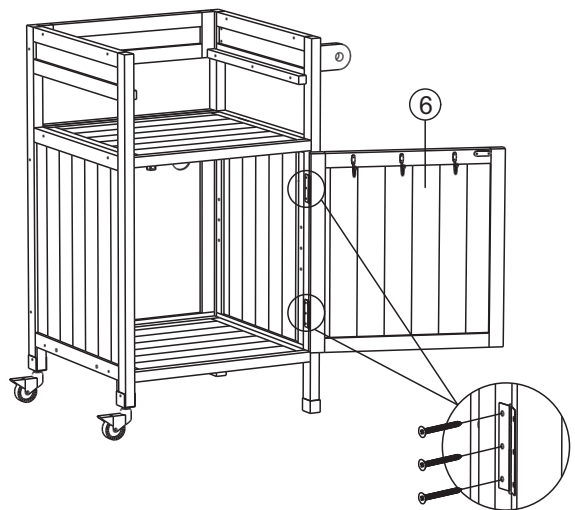
Step 6


A*7




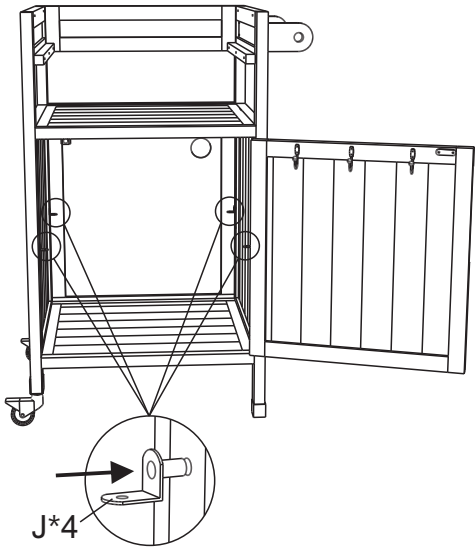
Step 7


A*7



Step 8

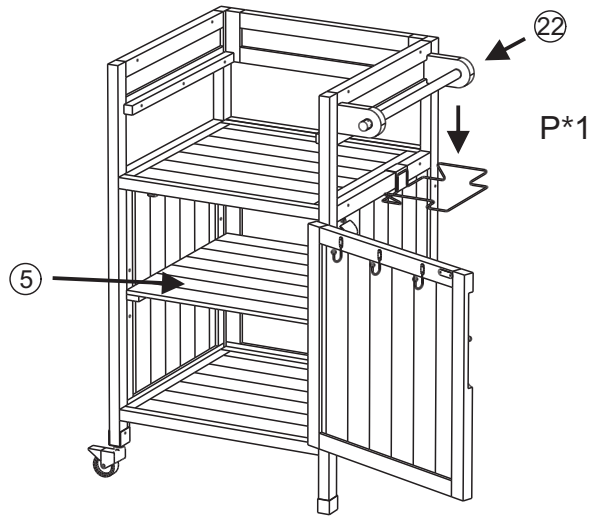

F*6



Step 9



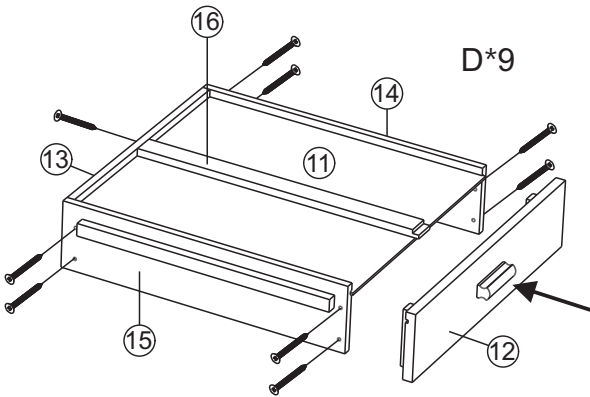
J*4



Step 10



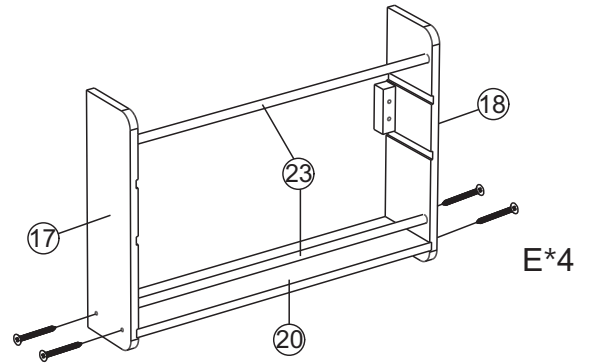
P*1



Step 11



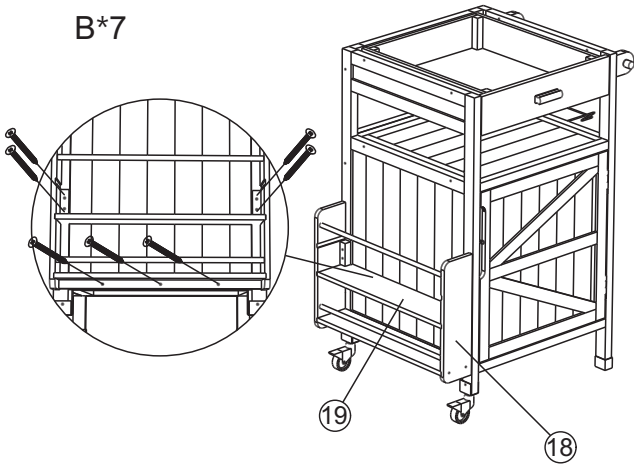
D*9



Step 12



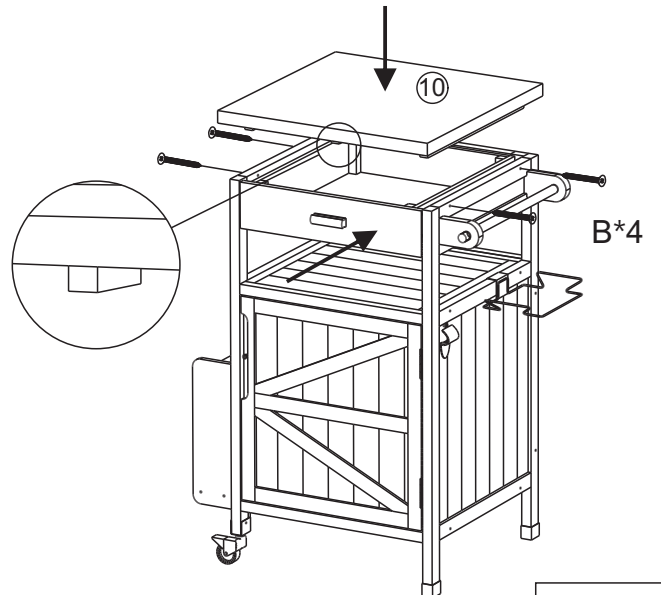
E*4



Step 13



B*7



Step 14



B*4

