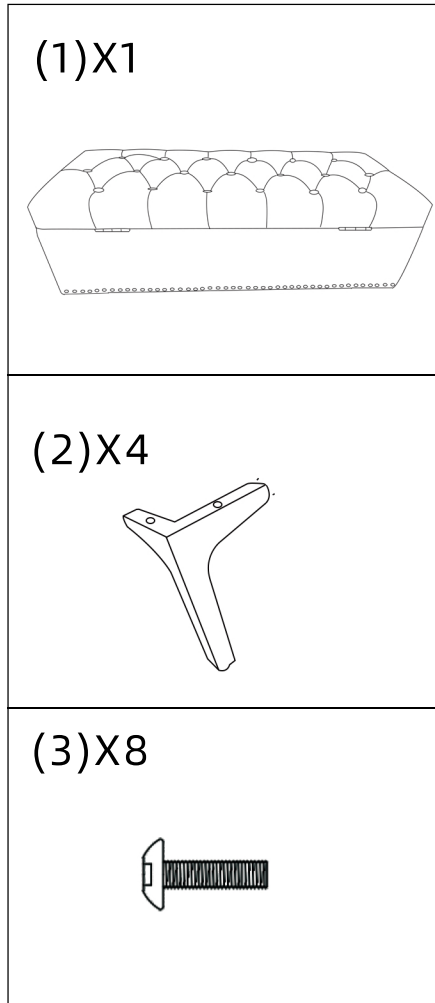
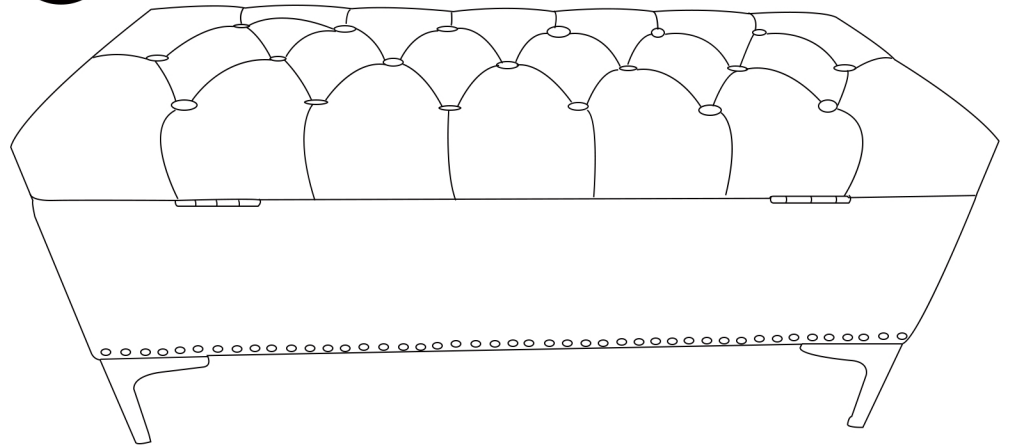


# ASSEMBLY INSTRUCTION



**1**



**2**

