



BEFORE YOU BEGIN YOUR INSTALLATION:

1



Turn off the main water supply before installing.

2



Observe all the local plumbing and building codes.

3



Check out the drain pipe if it's broken before installing. Maintain the drain pipe if necessary.

4



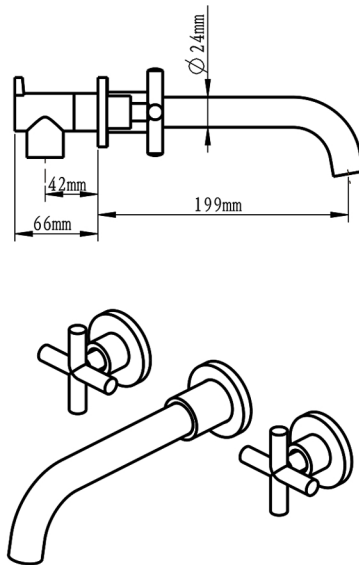
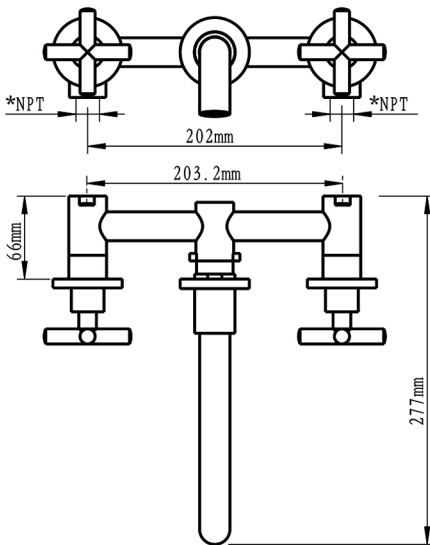
This product is only used for water supply. Do not supply Petrochemical liquids by this product.

5



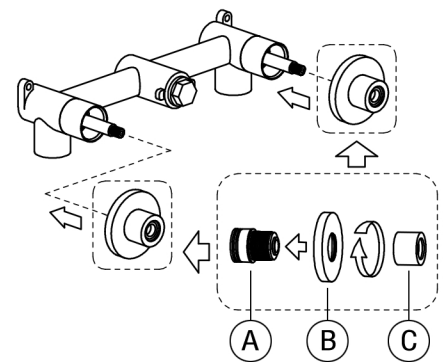
Prepare adjustable wrench, Phillips & flat screwdriver and other assist tools.

FAUCET HOLE PLACEMENT



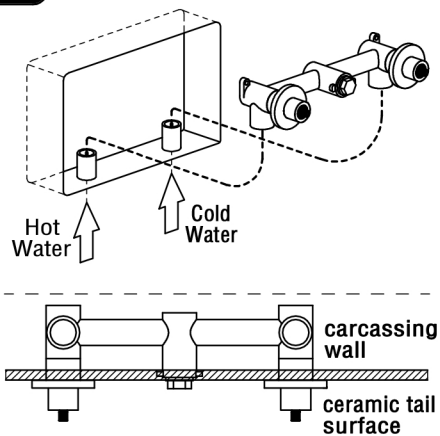
*We also offer G1/2 thread size

1.



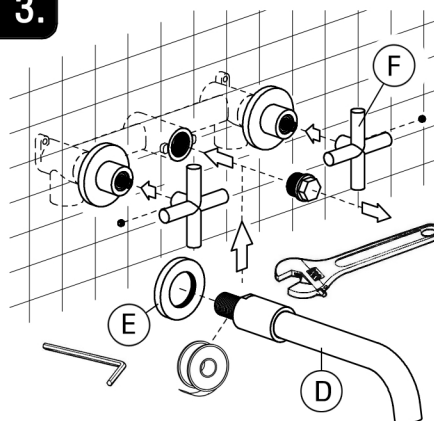
Slide Escutcheon (B) and Threaded Nut through Threaded Sleeve (A). Place it onto valve body.

2.



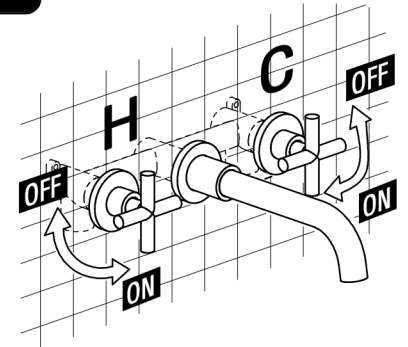
Place the valve body to wall slot and plumb inlet pipes. Fill the slot after confirming no leakage from pipe joint.

3.



Remove plastic nut by wrench. Slide Spout (D) and Escutcheon (E). Tighten Spout Joint by Teflon Tape. Screw Spout to outlet port. Assemble handles and slide handles through each spank.

4.



Turn on the water supplies and check the installation for leaks. Switch C handle to control cold water flow. Switch H handle to control hot water flow. Switch both handles to control water temperature. Installation finished.