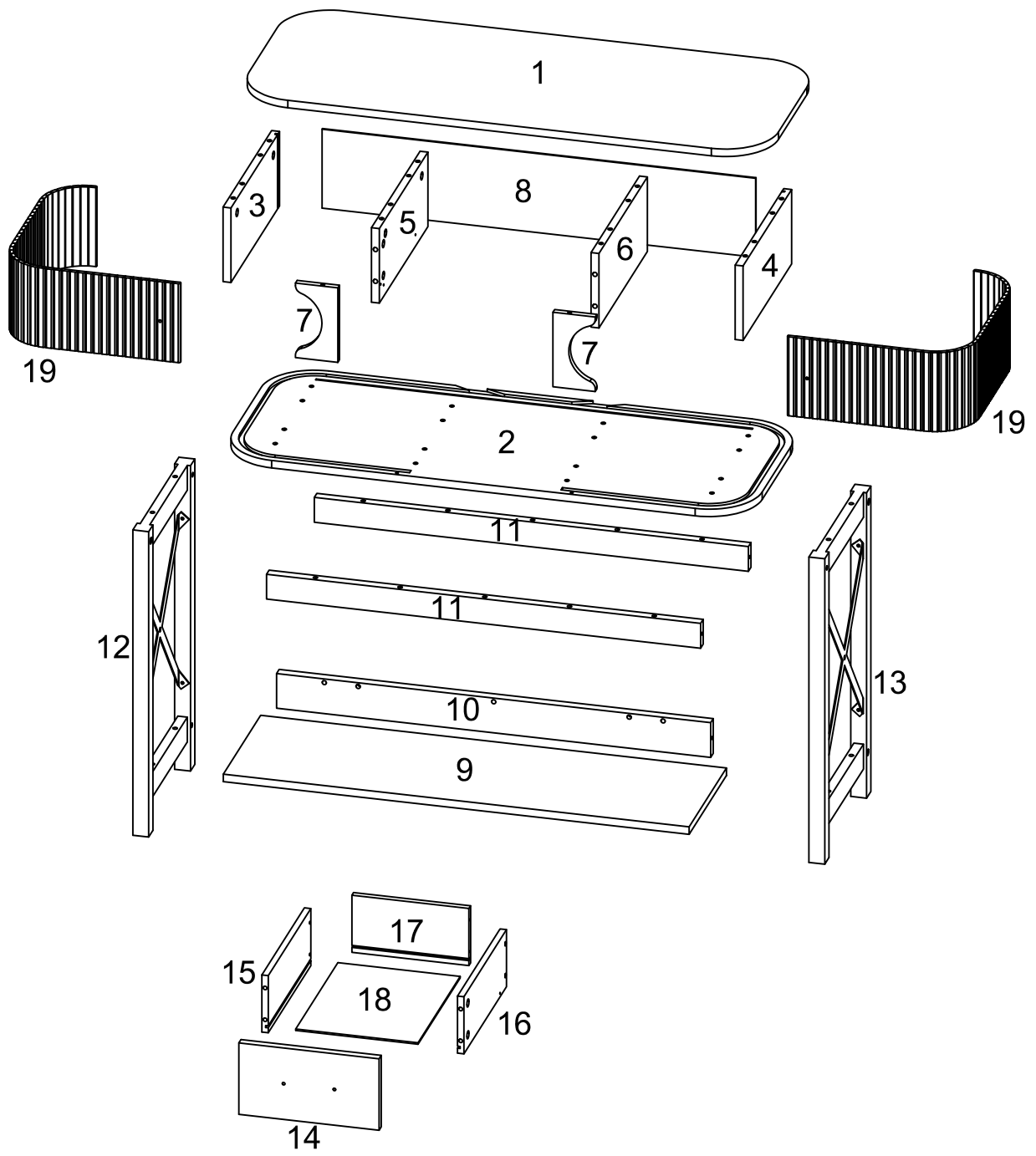
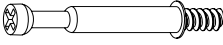

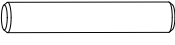
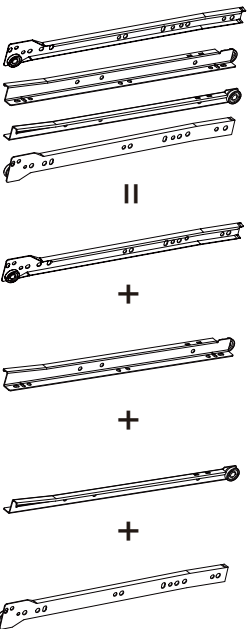





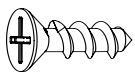

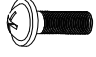

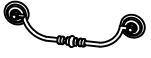



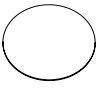


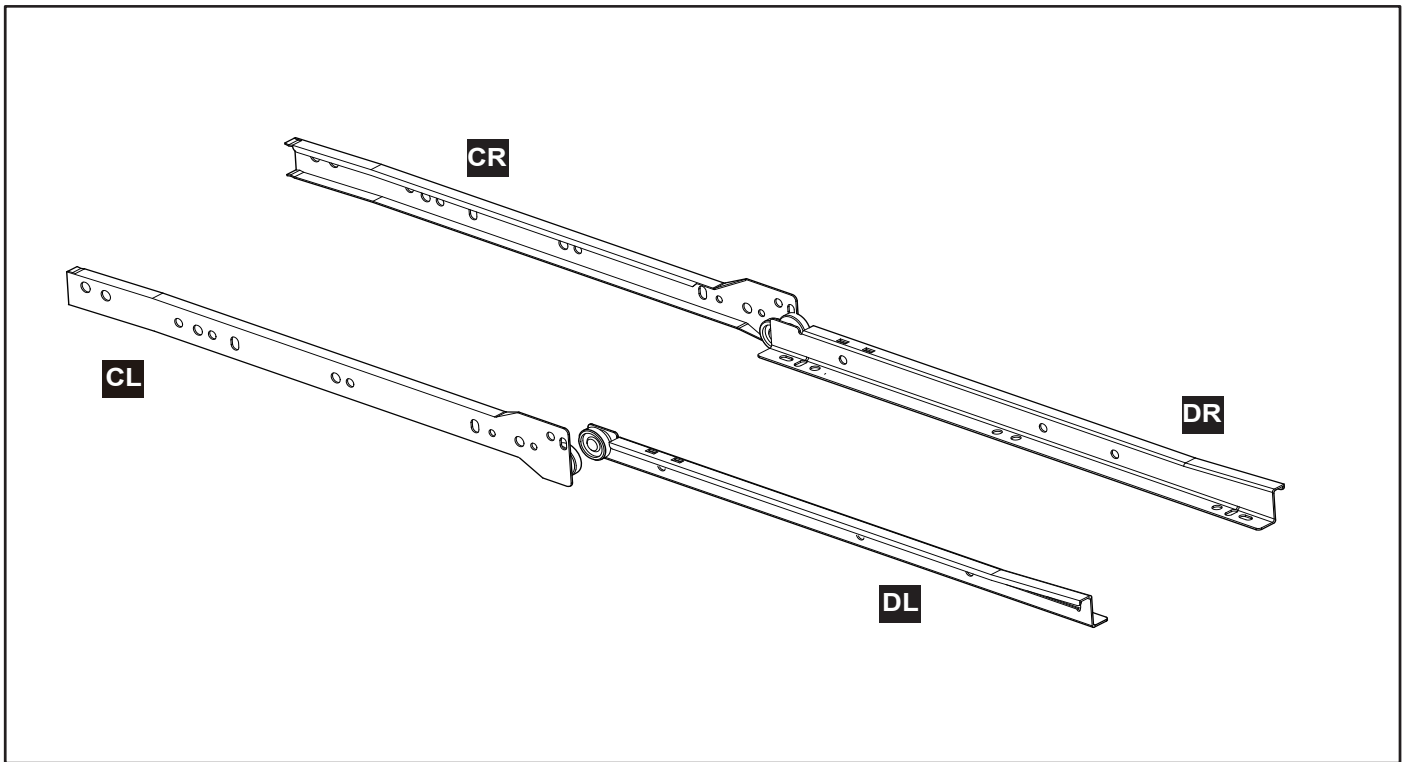


# EXPLODED DRAWING

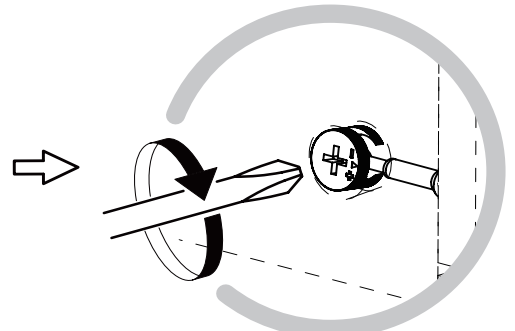
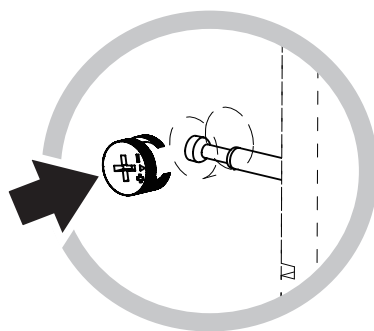
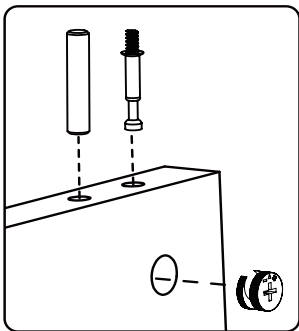


# PARTS

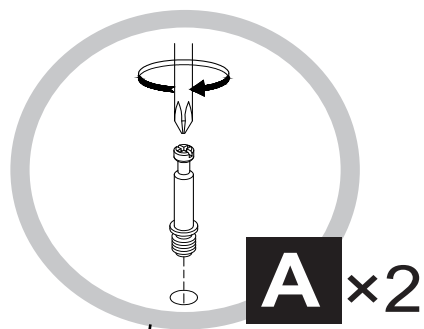
 <p><b>A</b> X20 M6x35</p>	 <p><b>B</b> X20 M15x10</p>	 <p><b>C</b> X22 M8x30</p>
 <p><b>D</b> X1 300</p> <p><b>CL</b></p> <p><b>DL</b></p> <p><b>DR</b></p> <p><b>CR</b></p>	 <p><b>E</b> X12 M3x12</p>	 <p><b>F</b> X17 M7x50</p>
 <p><b>G</b> X14 M6x45</p>	 <p><b>H</b> X4 M6xφ23x15</p>	
 <p><b>J</b> X4</p>	 <p><b>K</b> X4 M3x14</p>	
 <p><b>L</b> X2</p>	 <p><b>M</b> X2 M4x10</p>	
 <p><b>N</b> X4 M4x35</p>	 <p><b>P</b> X1 80</p>	 <p><b>Q</b> X2 M4x18</p>
 <p>190x20x1 M4x14 <b>R</b> X2</p> <p>φ13 M6x30 M4x35</p>	 <p><b>S</b> X1 M4</p>	 <p><b>T</b> X16 M20</p>





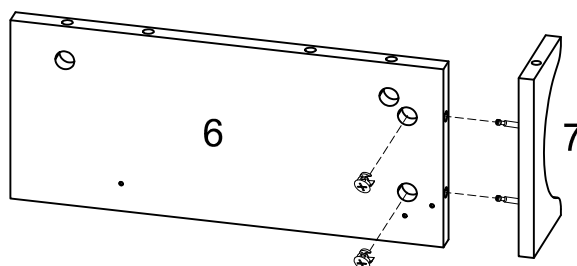
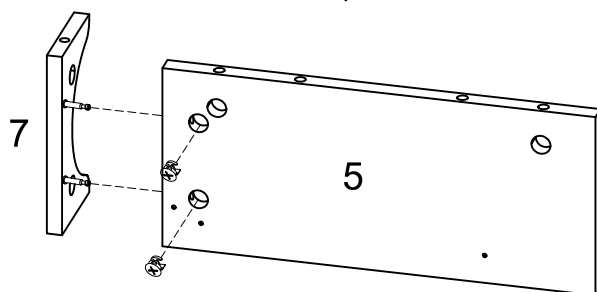
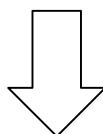
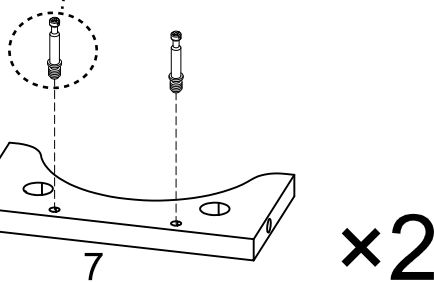
### MINIFIX POSITION

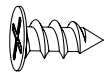




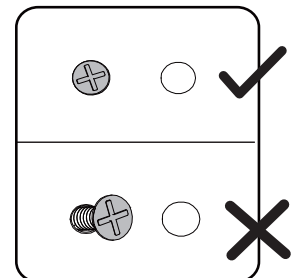
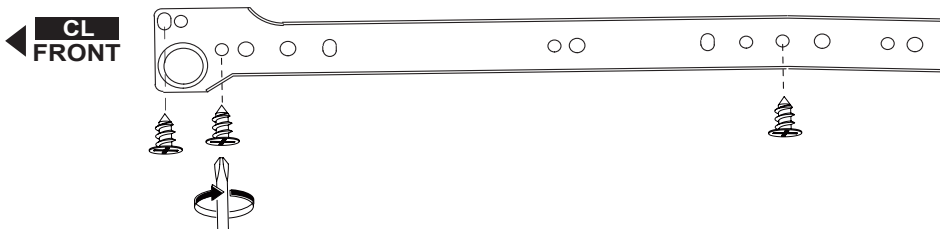
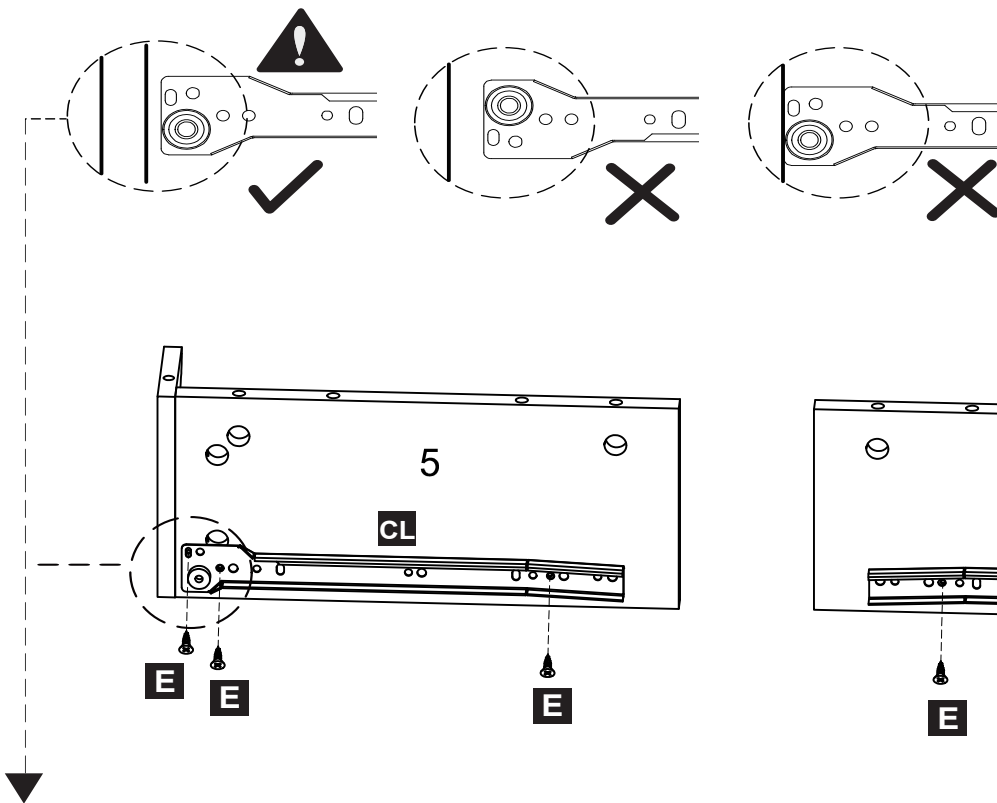
1




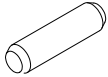
	<b>A</b> x4 M6x35
	<b>B</b> x4 M15x10

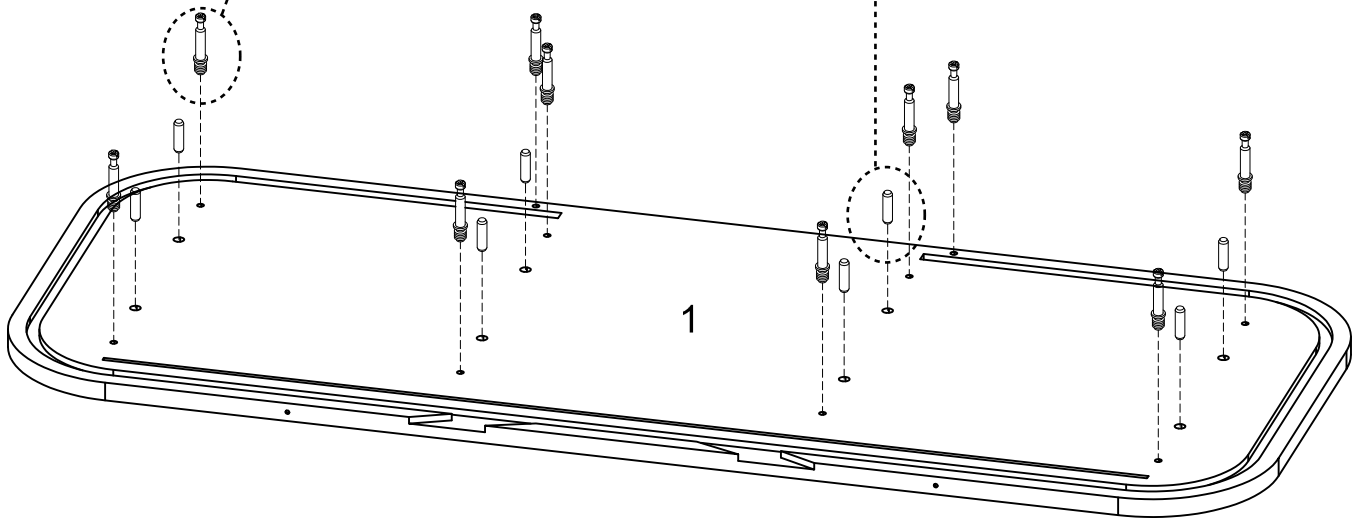
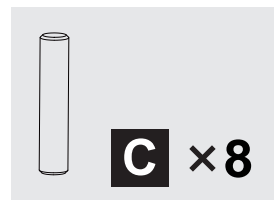
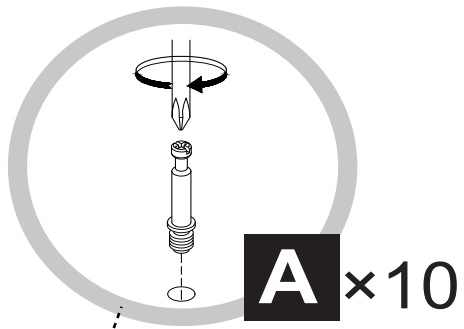




	<b>E</b> ×6 M3×12
	<b>CL</b> ×1
	<b>CR</b> ×1

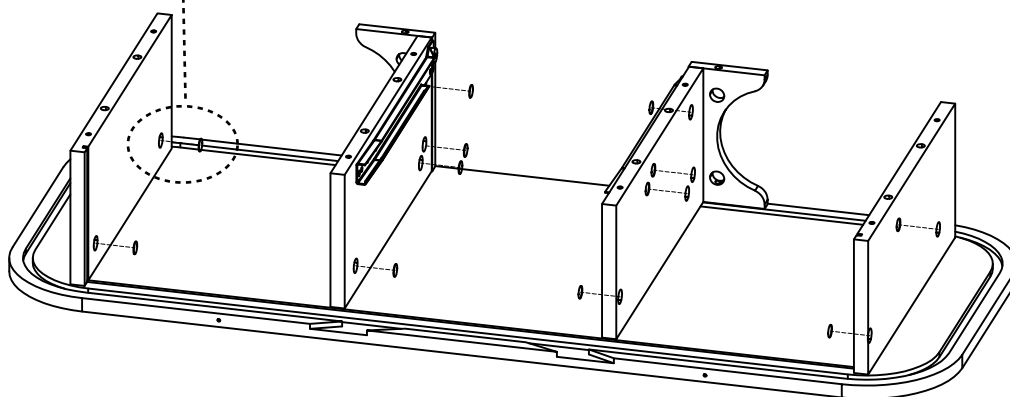
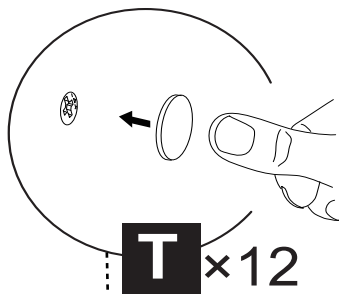
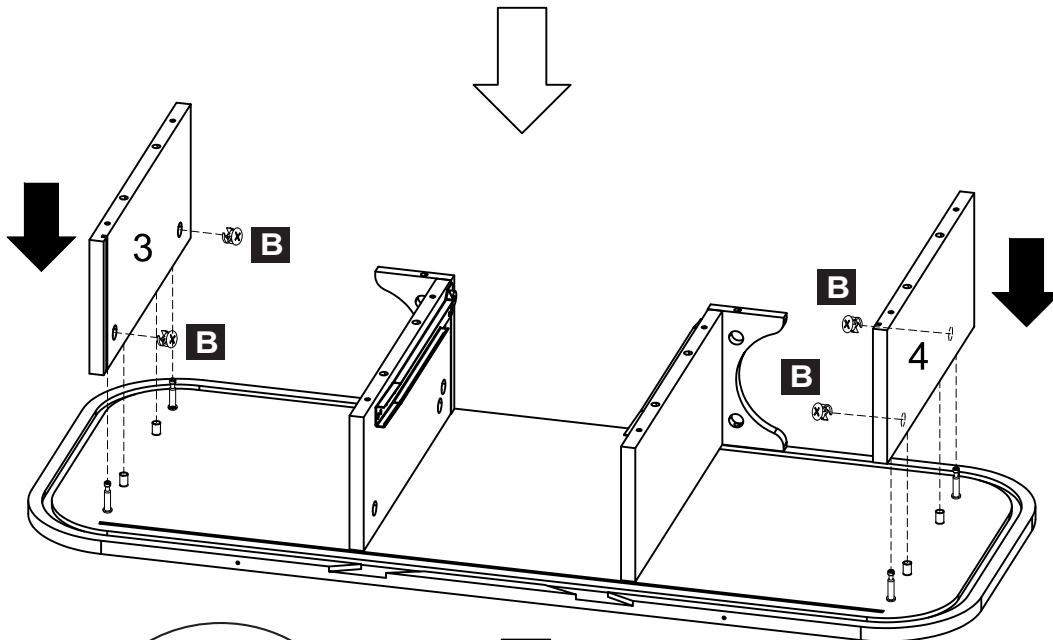
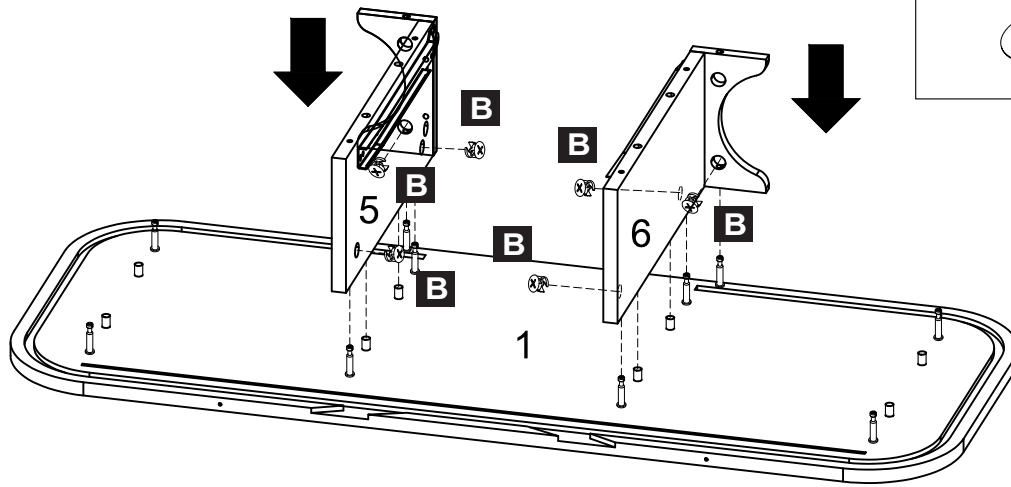


3

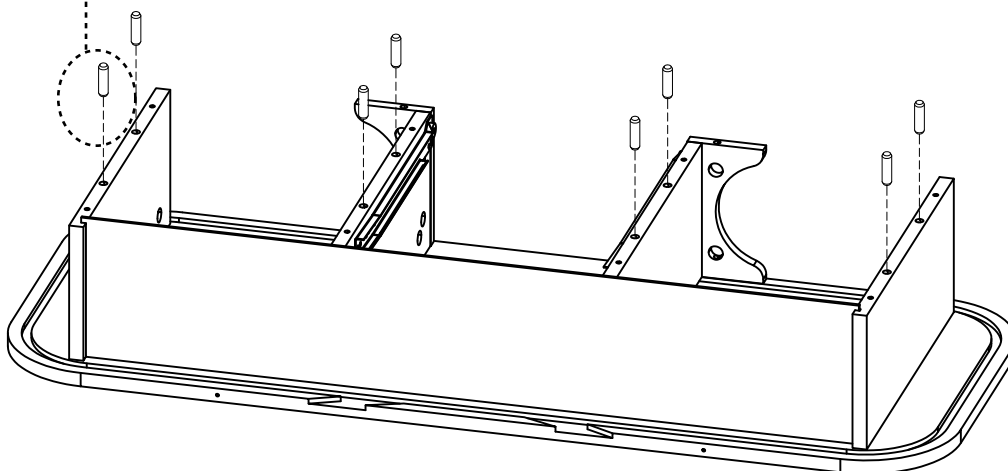
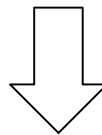
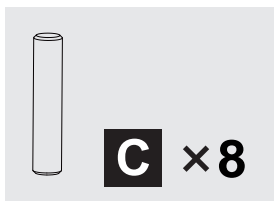
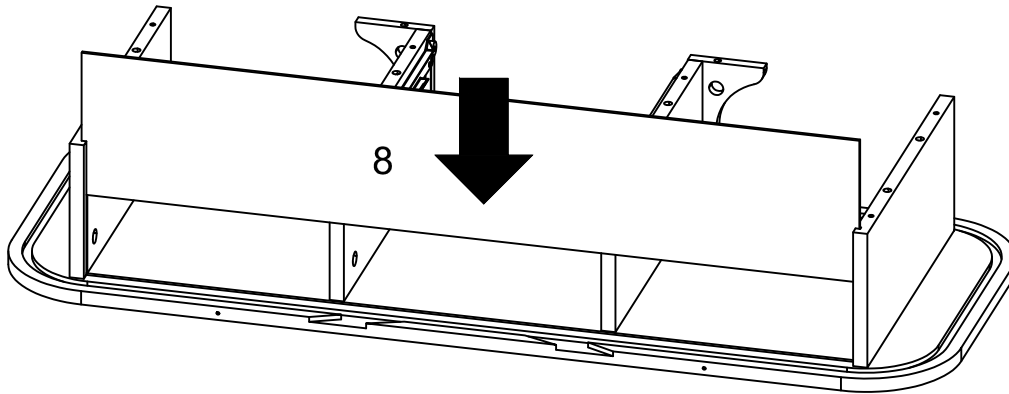
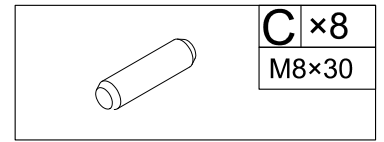
	<b>A</b> × 10 M6 × 35
	<b>C</b> × 8 M8 × 30

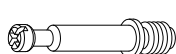





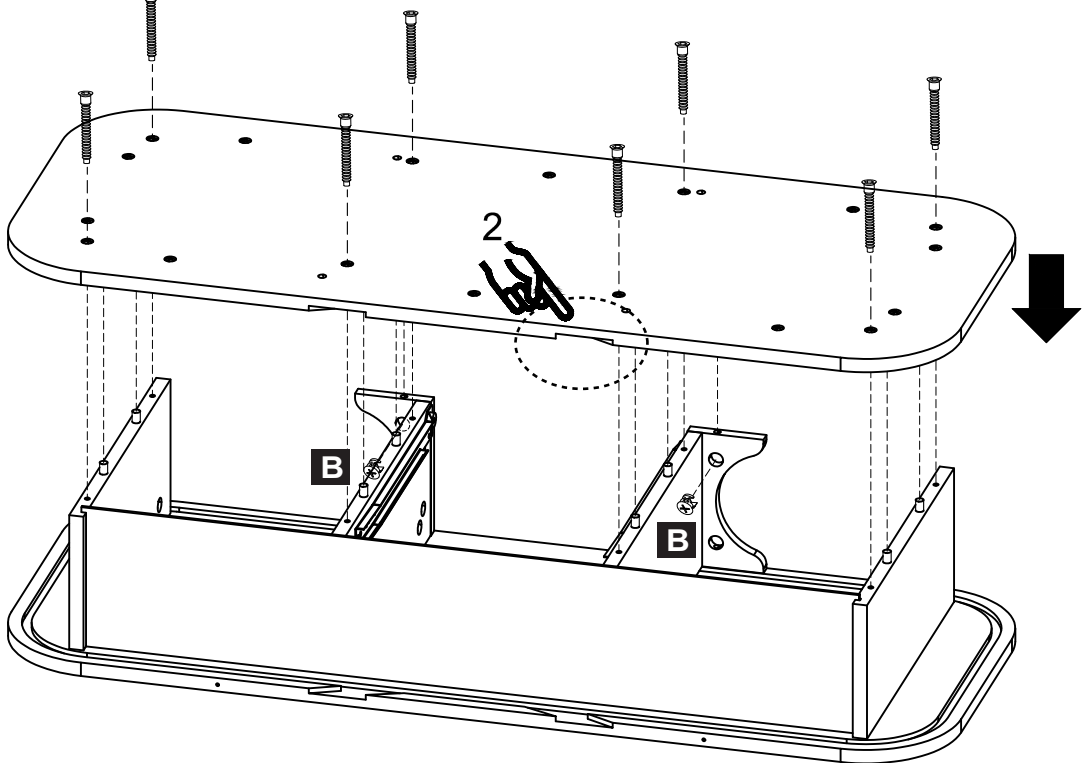
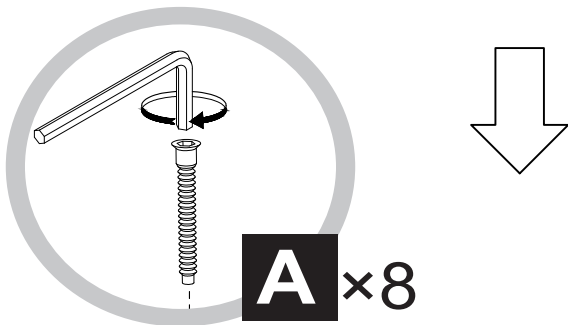
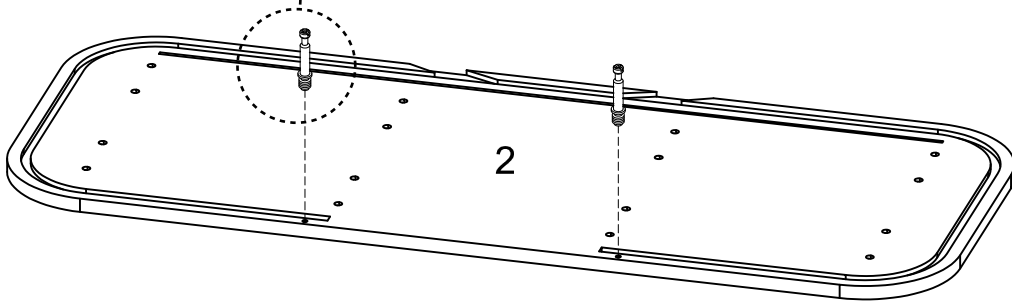
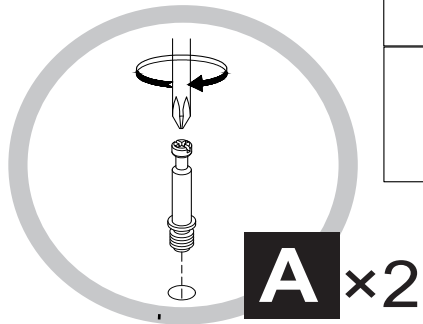
	<b>B</b> × 10 M15 × 10
	<b>T</b> × 12

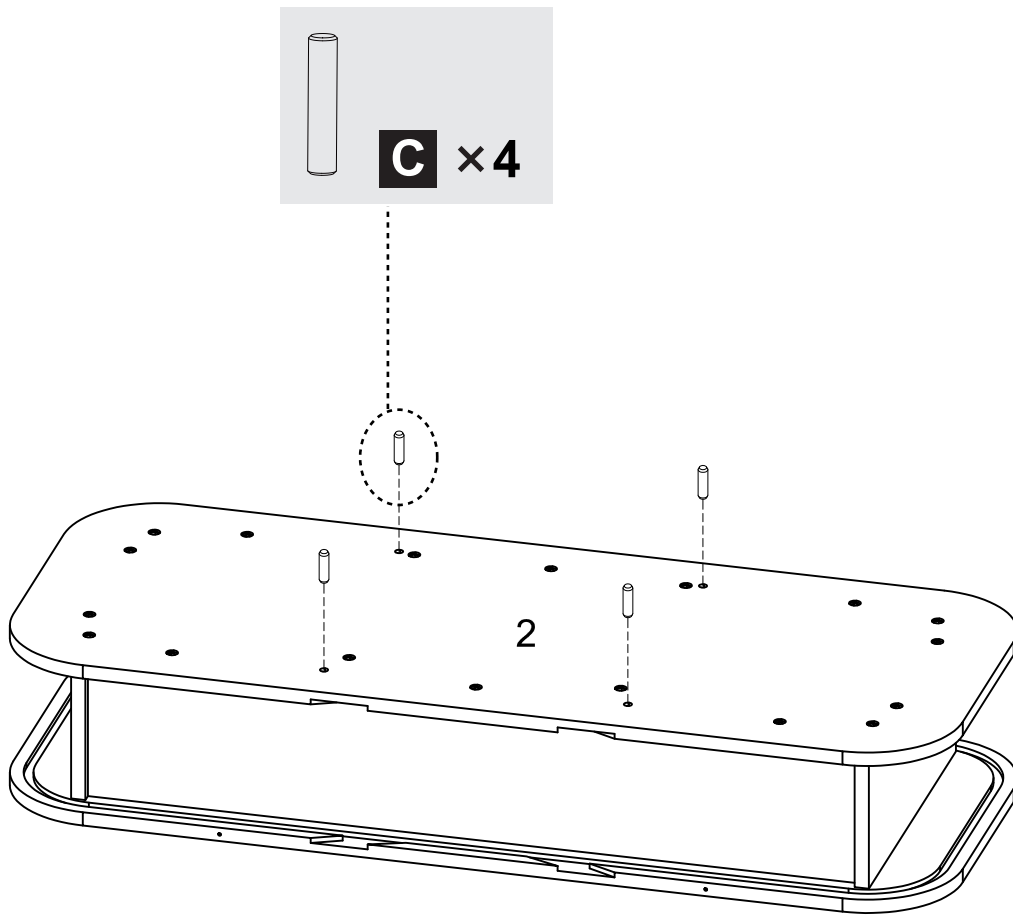
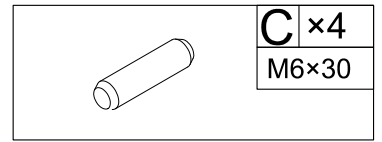


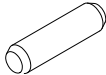


5

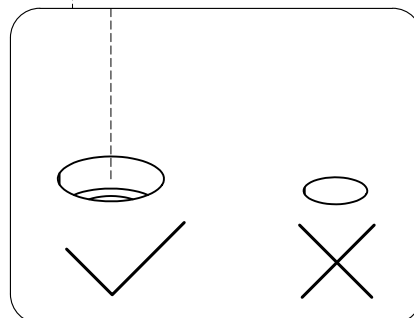
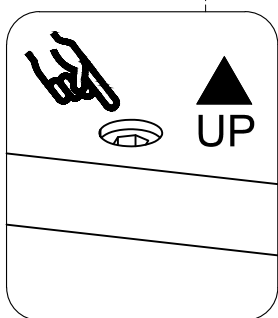
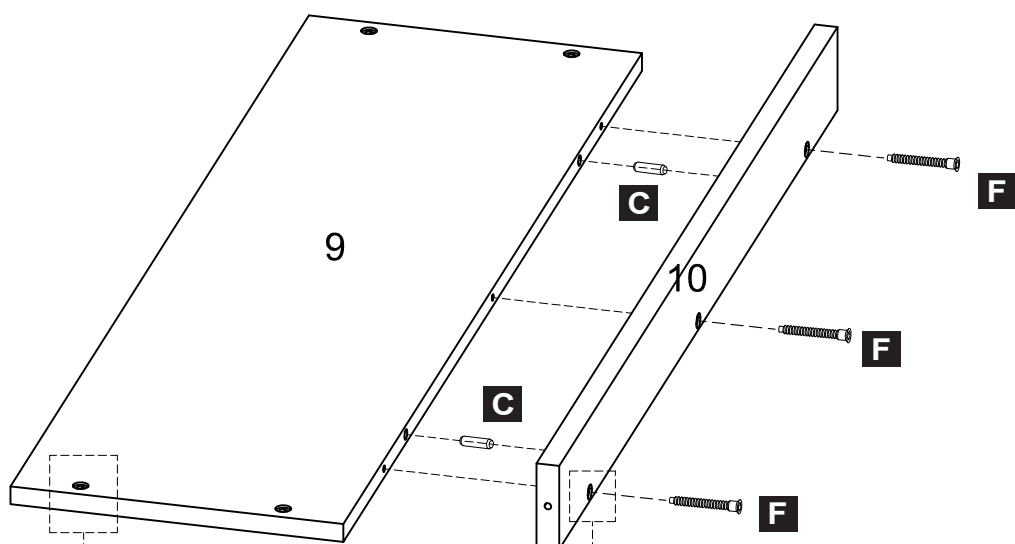


	<b>A</b> × 2 M6×35		<b>B</b> × 2 M15×10
	<b>F</b> × 8 M7×50		<b>S</b> × 1


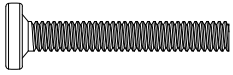



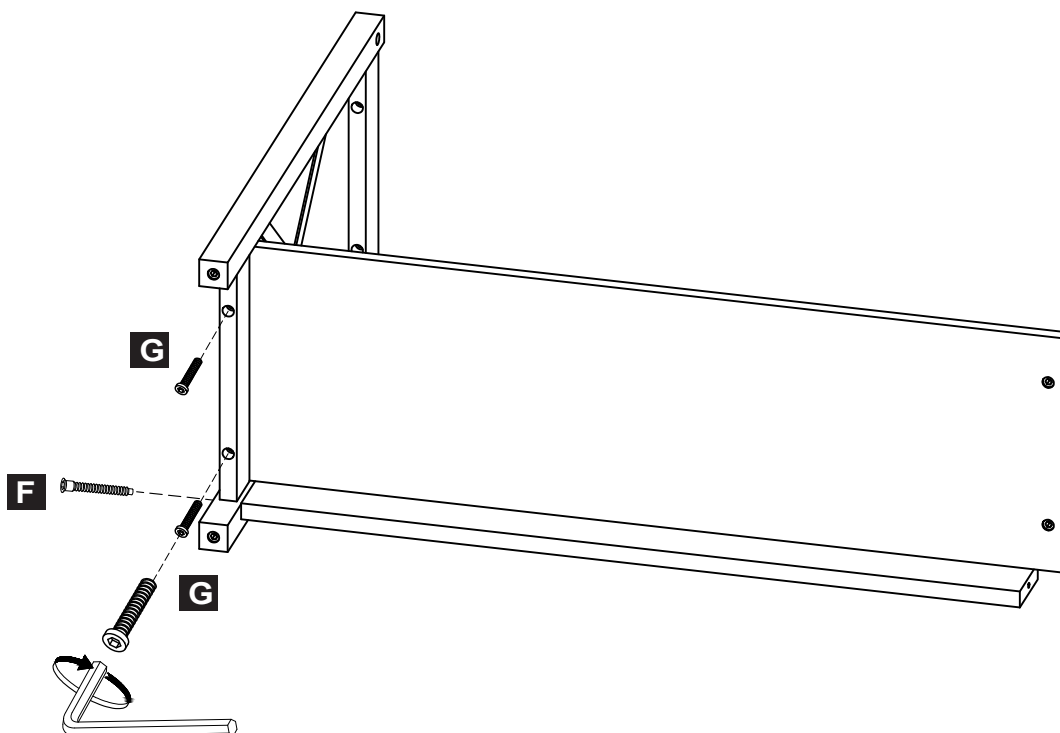
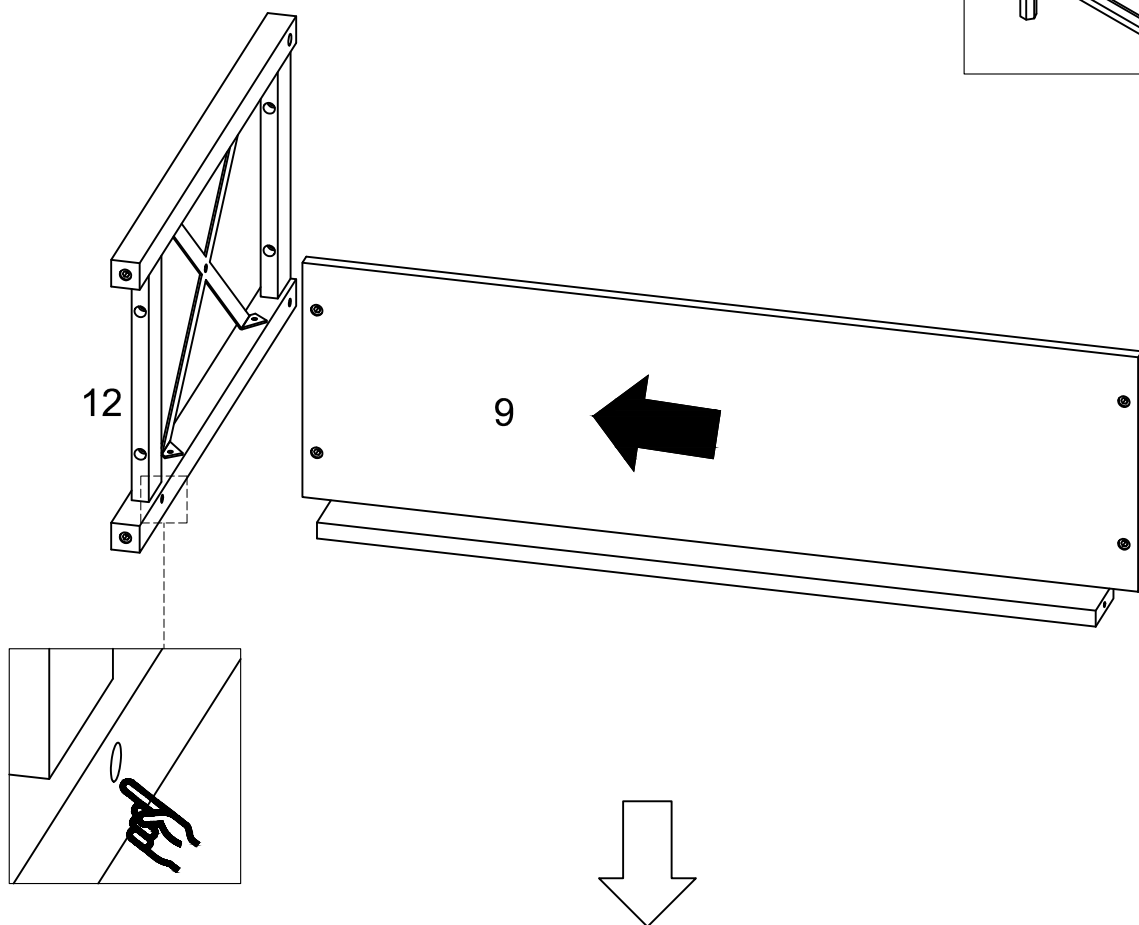





	<b>C</b> ×2 M8×30
	<b>F</b> ×3 M7×50
	<b>S</b> ×1

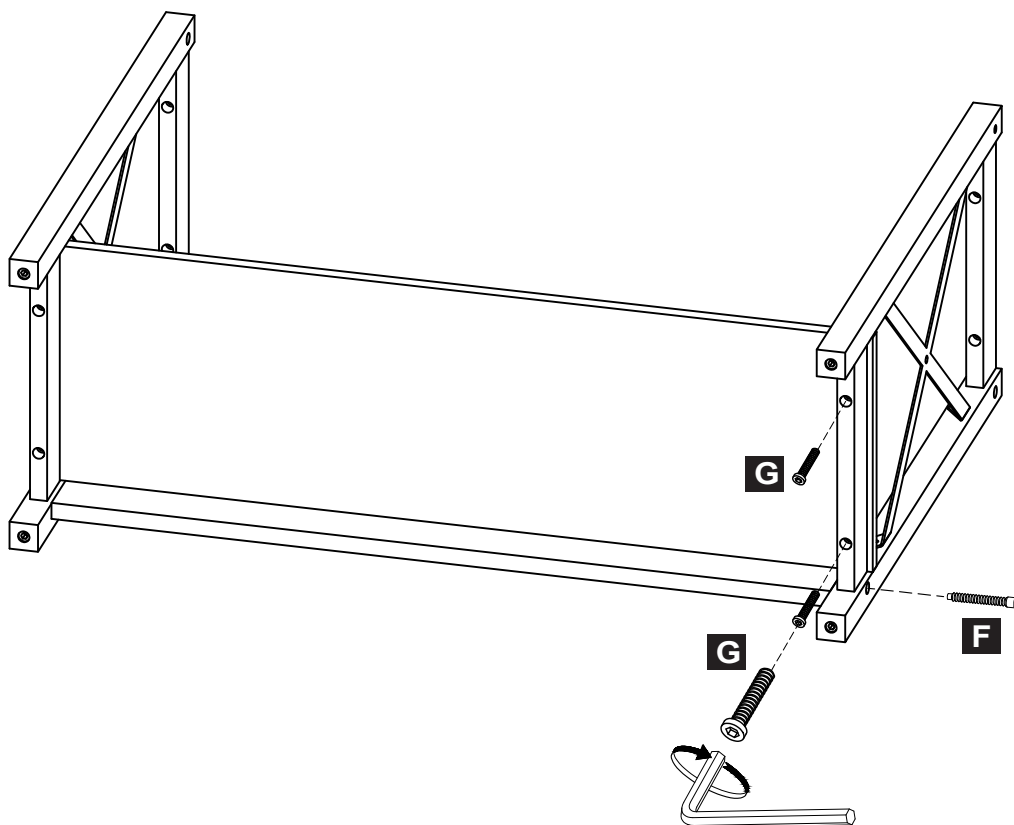
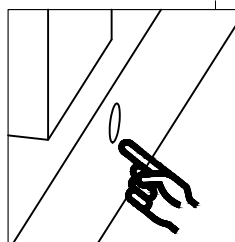
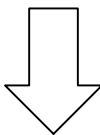
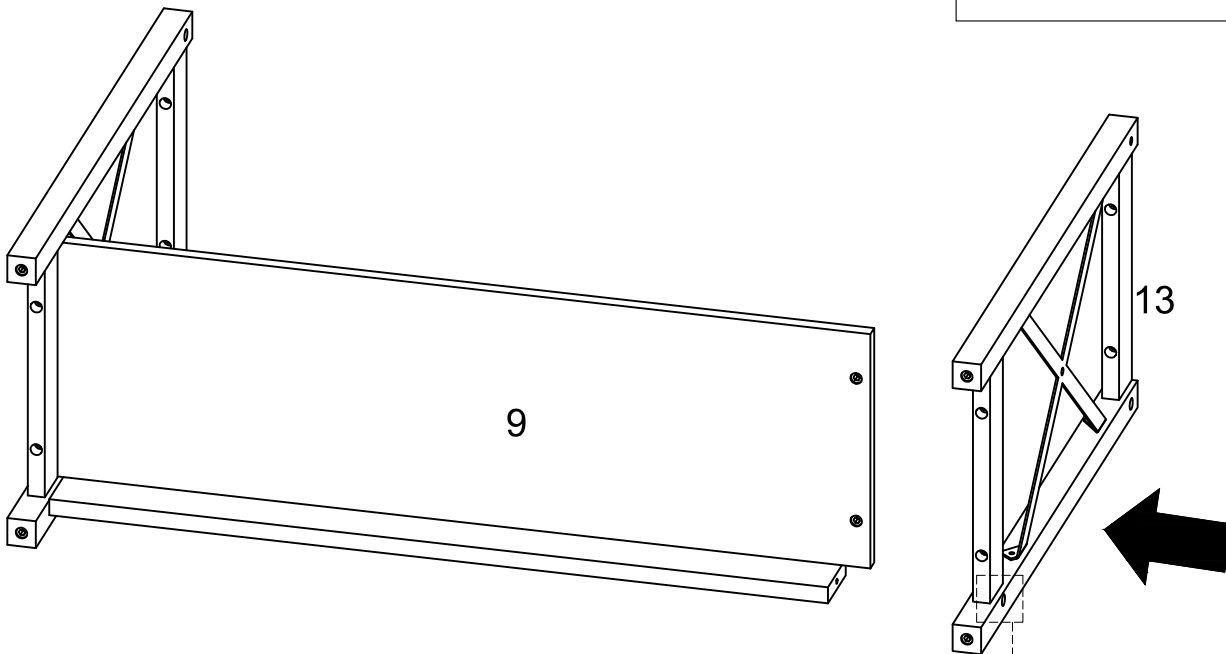


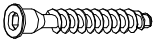

9

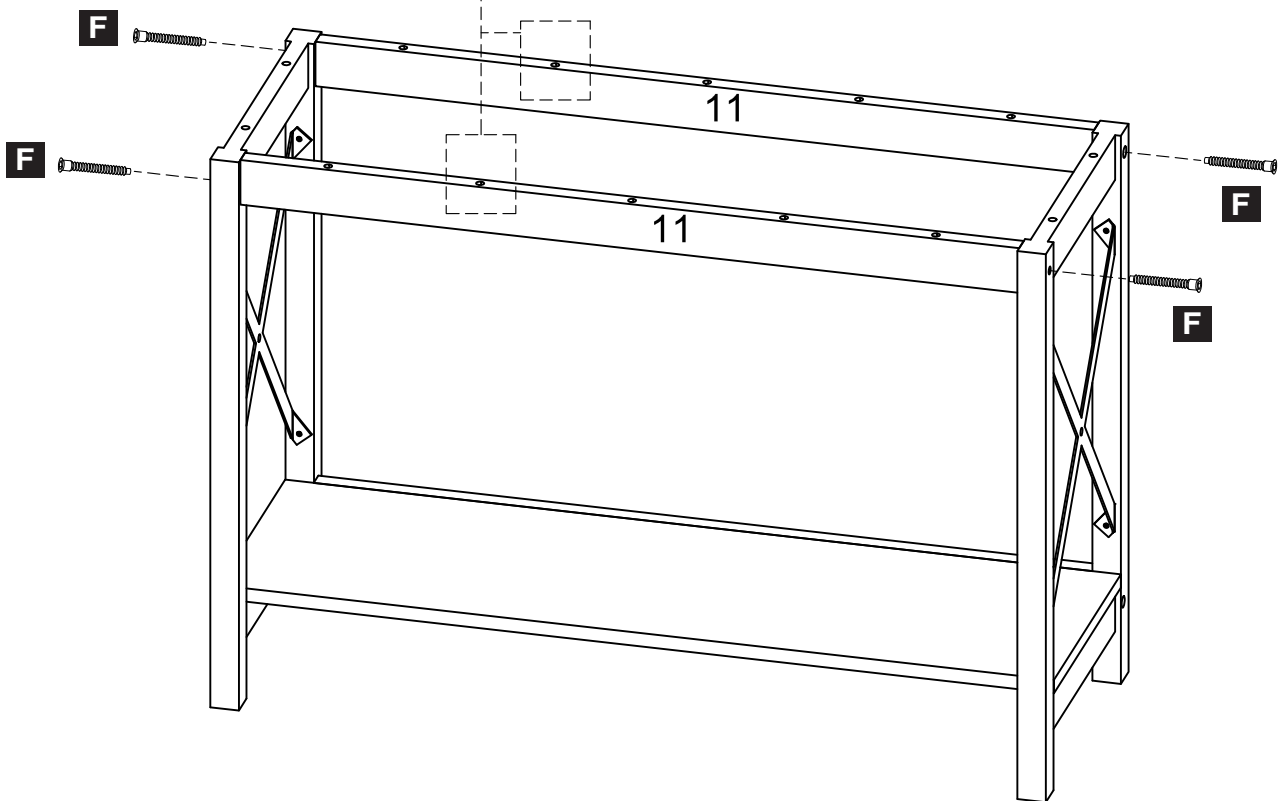
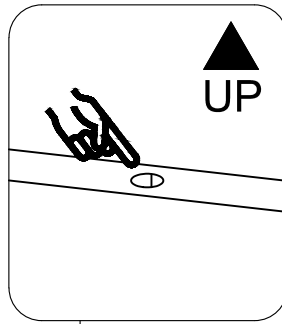
	<b>F</b> ×1		<b>G</b> ×2
	M7×50		M7×45
			<b>S</b> ×1

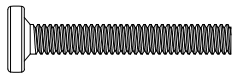



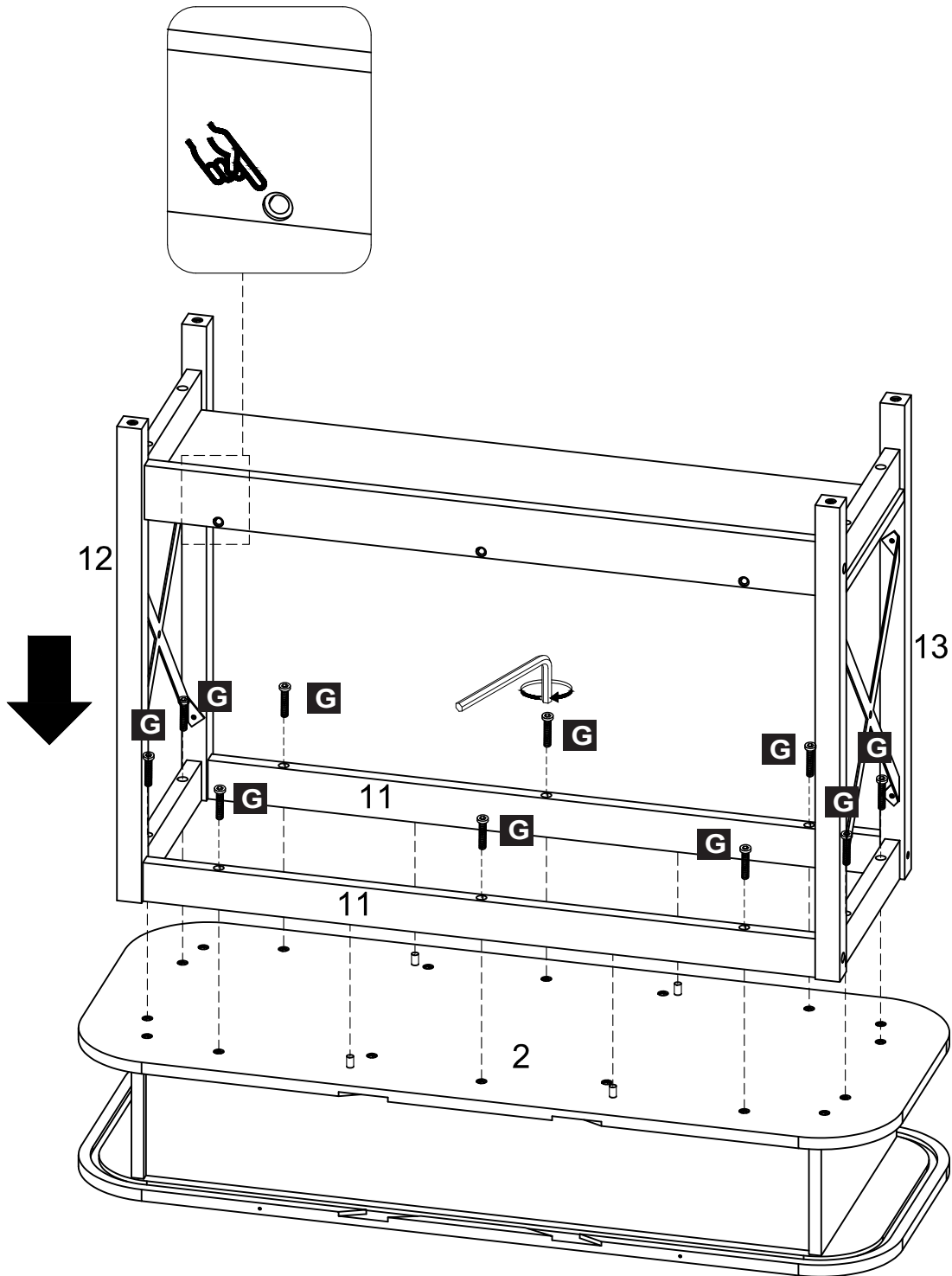
	<b>F</b> × 1		<b>G</b> × 2
	M7×50		M7×45
			<b>S</b> × 1

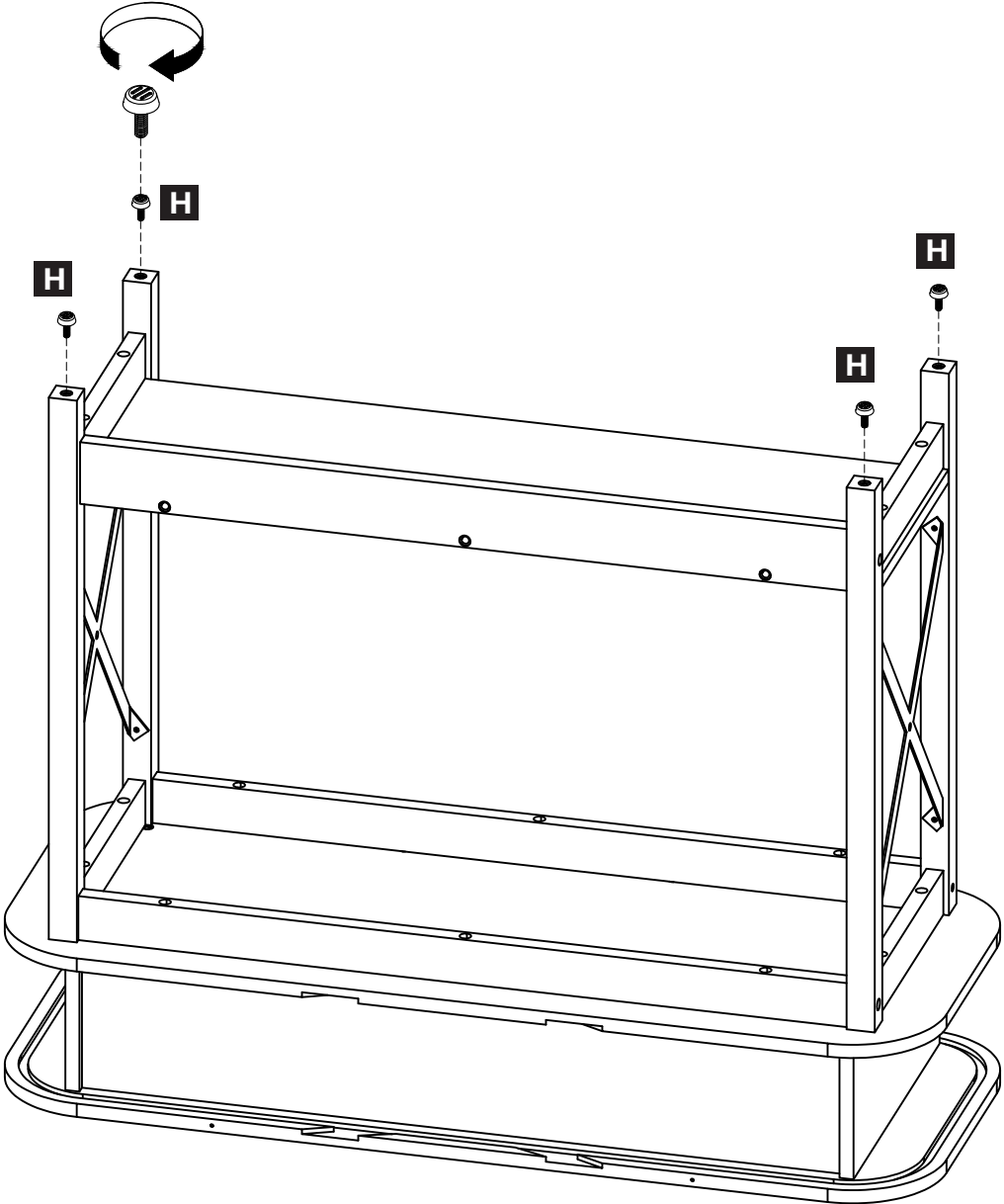
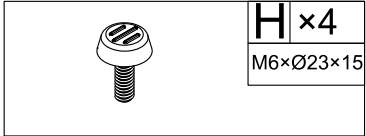




	<b>F</b> ×4 M7×50
	<b>S</b> ×1

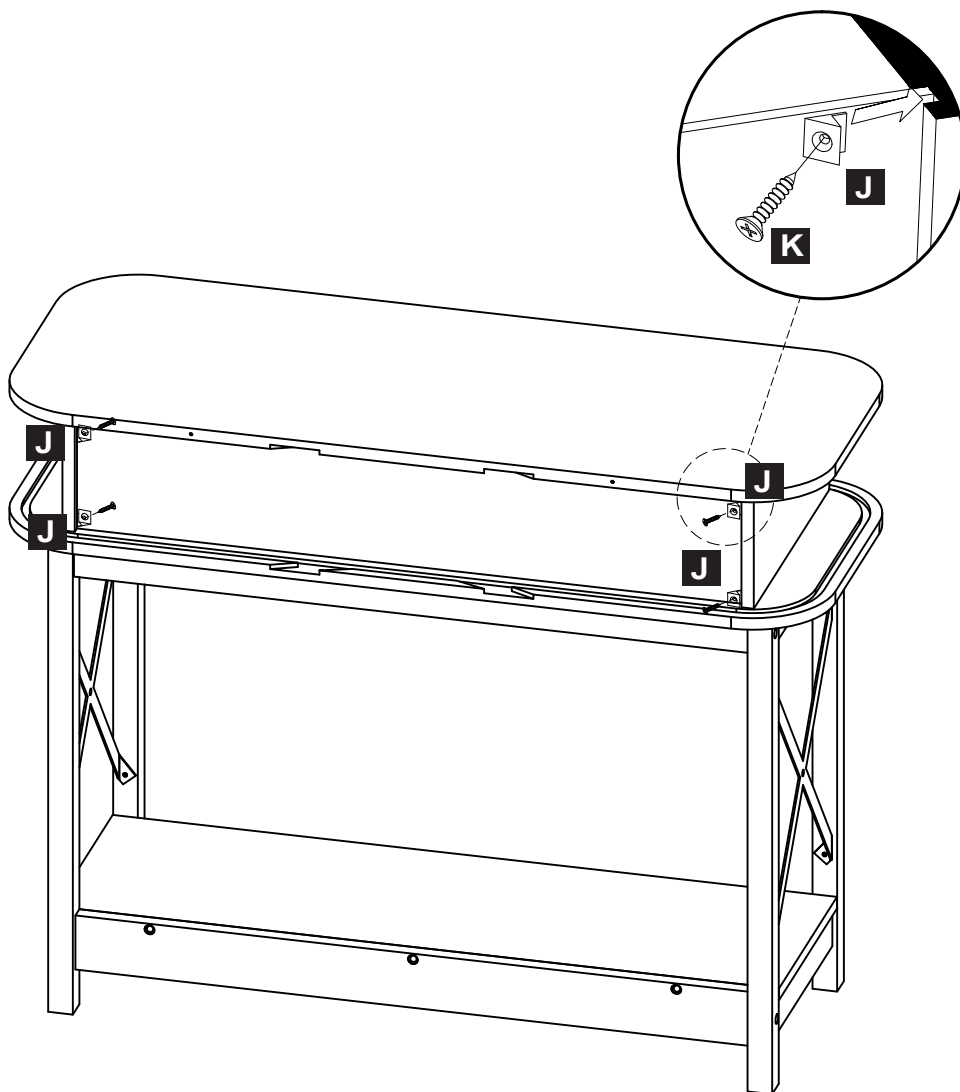


	<b>G</b> × 10 M7 × 45
	<b>S</b> × 1

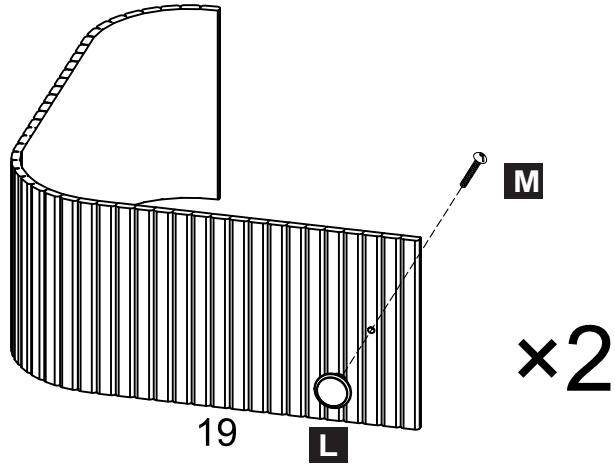



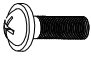


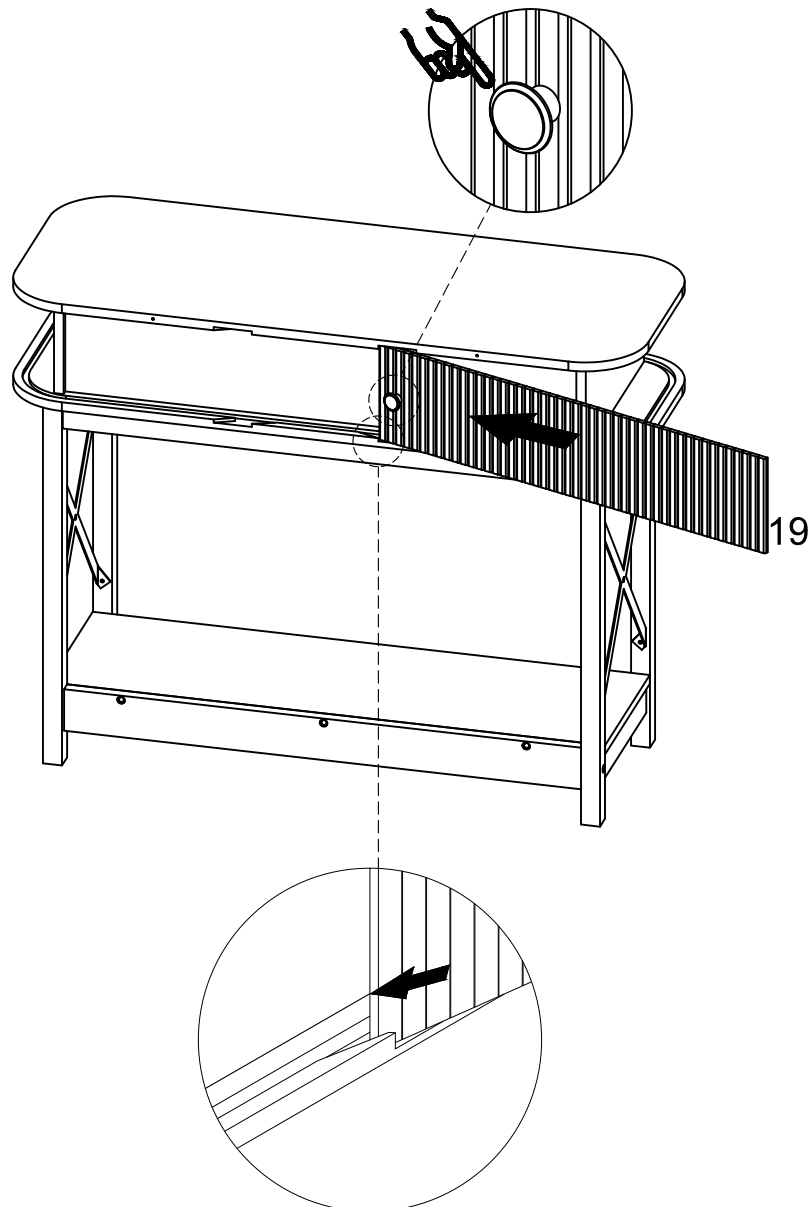
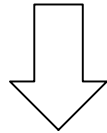
	<b>J</b> x4
	<b>K</b> x4 M3x14

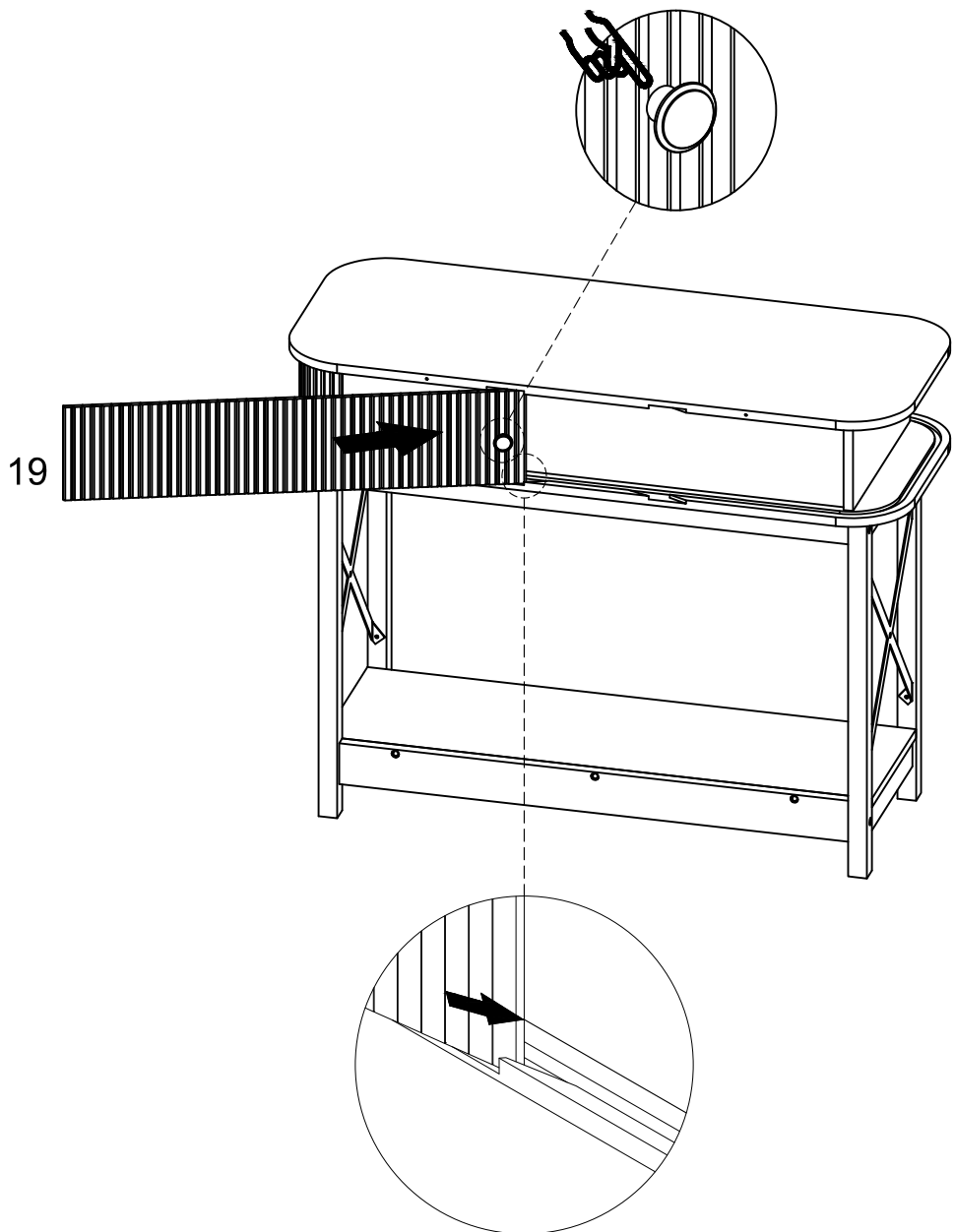


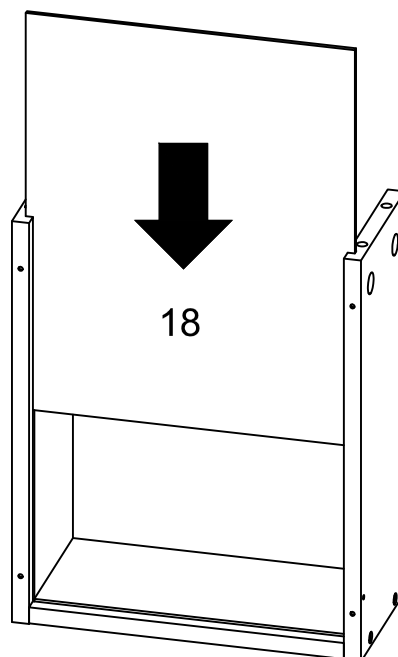
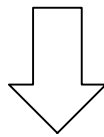
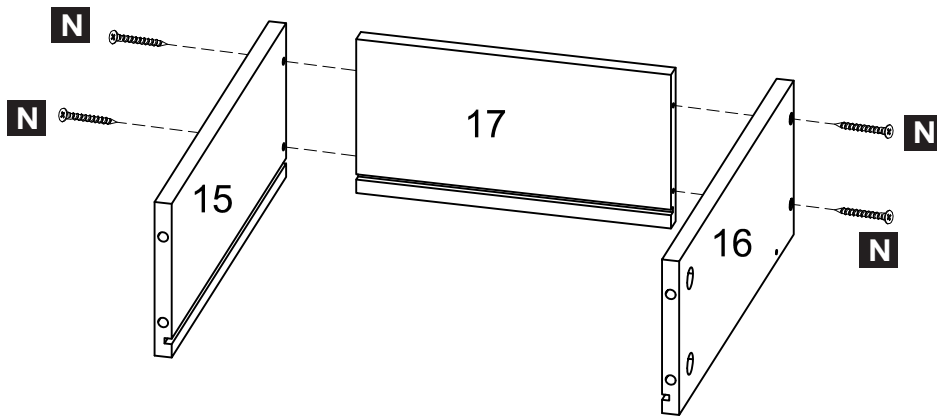
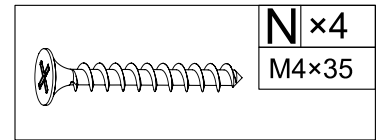
15



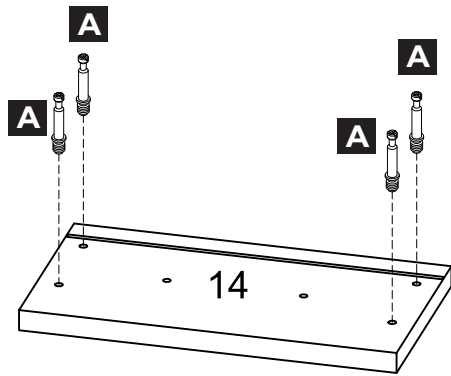
	L x2
	M x2 M4x10



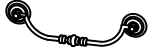




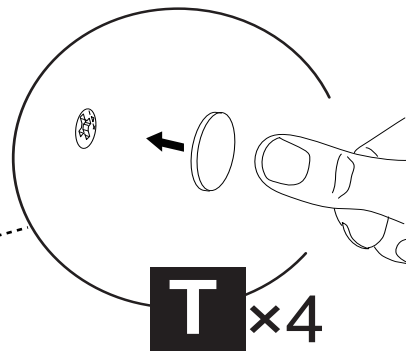
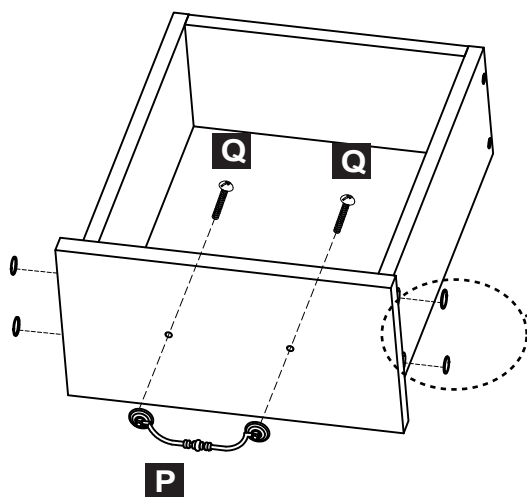
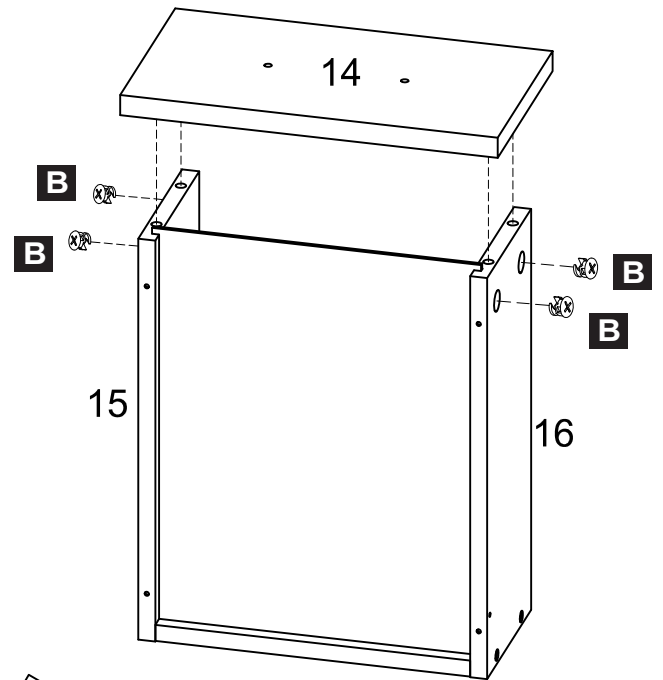
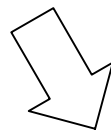


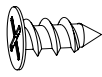
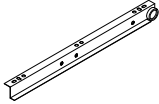
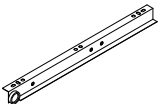


18



	<b>A</b> × 4 M6×35		<b>B</b> × 4 M15×10
	<b>P</b> × 1		<b>Q</b> × 2 M4×18
			<b>T</b> × 4



	E x6 M3x12
	DL x1
	DR x1

