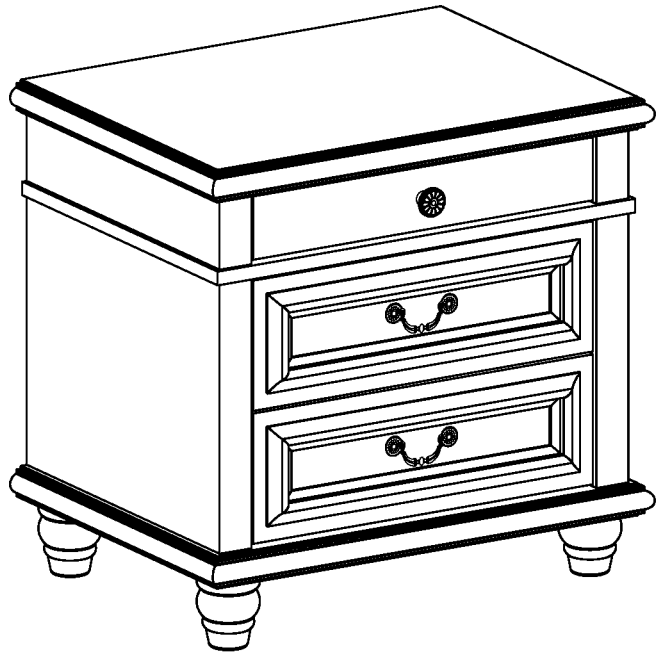

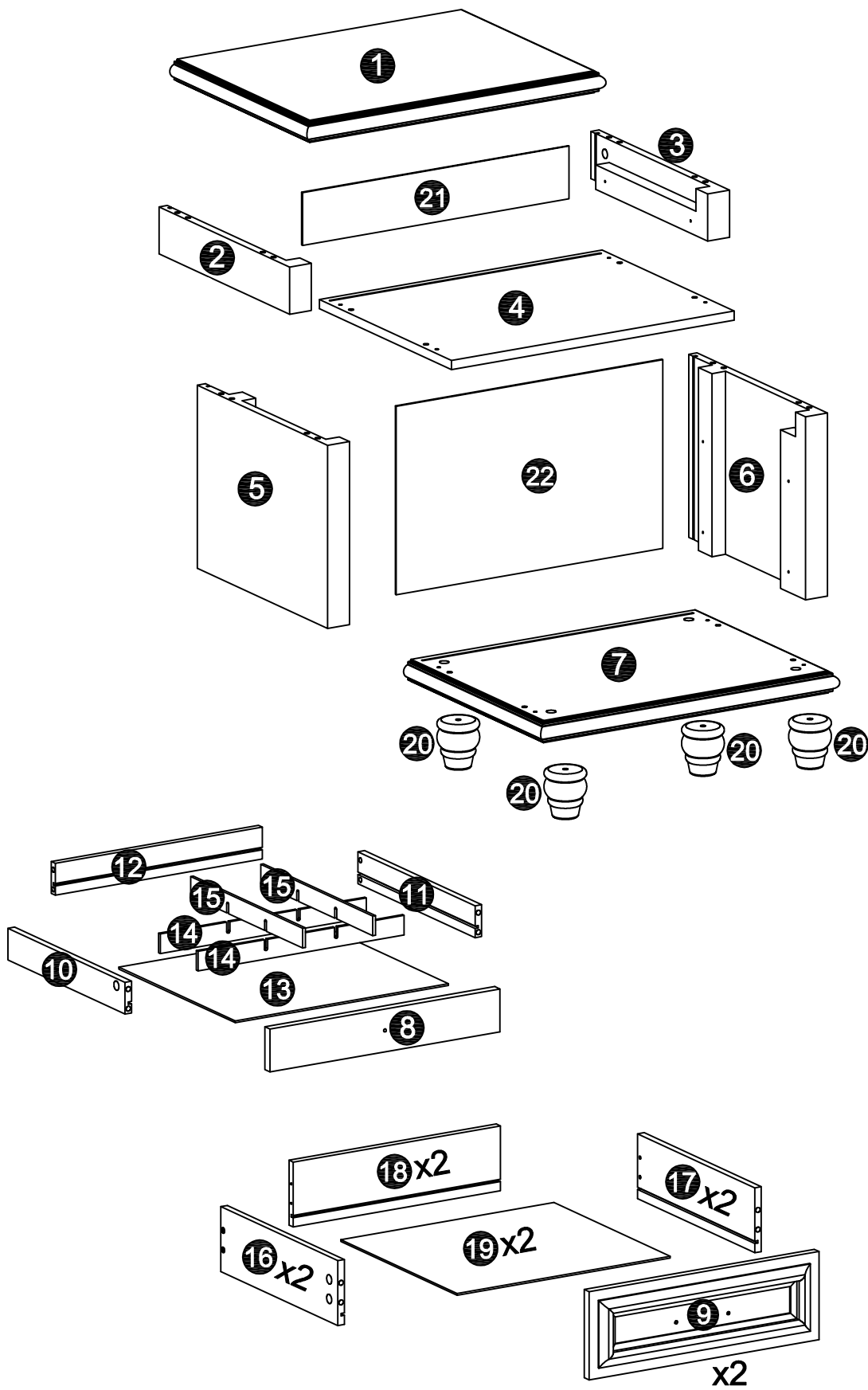


3 Drawer Dresser Installation Manual




 Team
Assembly
Recommended

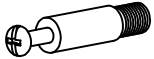






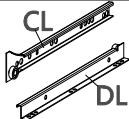
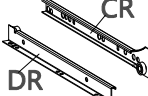


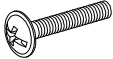
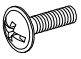






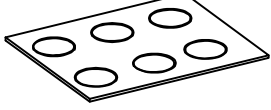
Note: Don't tighten all screws during installation.

Components (A) ▲



Screws & Tools 

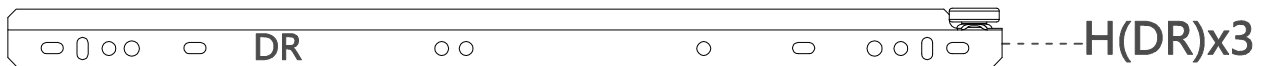
A			x20+2
B		Ø15 x 9mm	x20+2
C		Ø8 x 30mm	x16+1
D		Ø6 x 30mm	x4
E		Ø3.5 x 35mm	x8+1
F		Ø3 x 12mm	x36+3
G		M8 x 45mm	x4
H		14"	x3
		14"	x3
I			x1
J		96mm	x2
K		M4 x 18mm	x1
L		M4 x 8mm	x4+1
M		Ø4 x 50mm	x4+1
N		Ø4 x 60mm	x4+1

O		Ø3 x 14mm	x12+1
P			x12+1
Q			x10

Check all the components & screws before assembly.
Do not install in case part is missing, contact us to get.

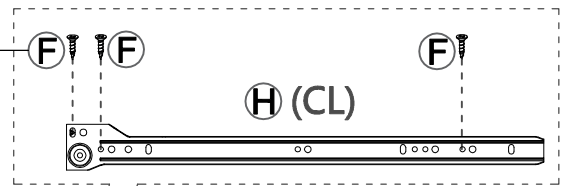
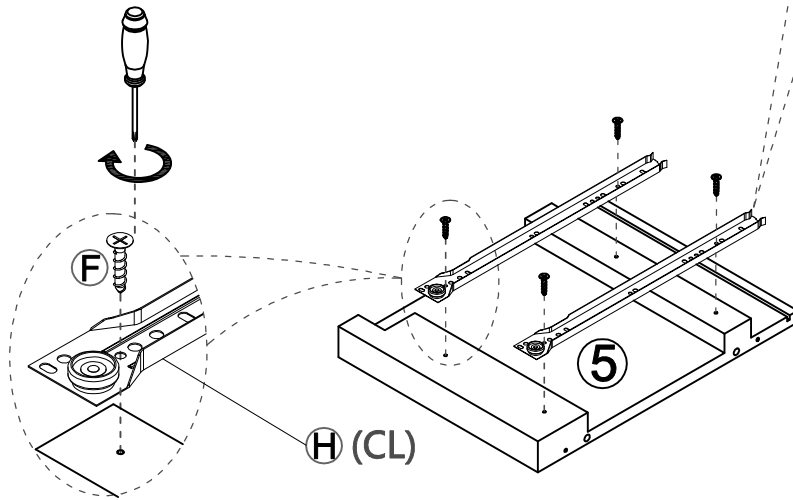
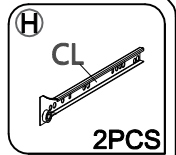
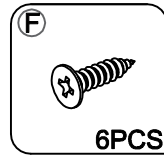
HARDWARE LIST

A pair of drawer guides in four parts.



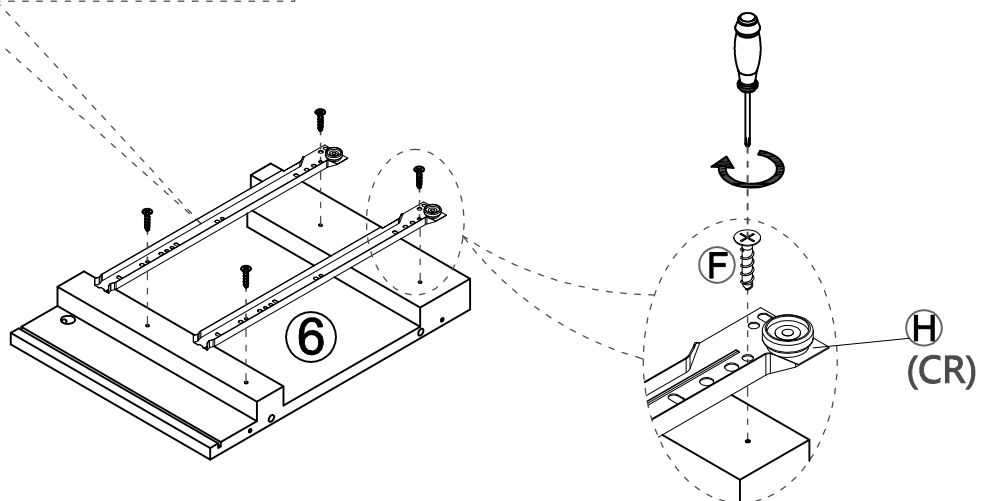
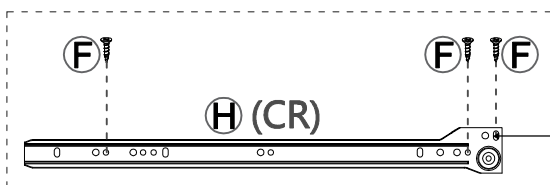
Step 1

The first hole in the UPPER row holes of the slide is without the corresponding pre-drilled hole, after fix the position of the slide and then screw on.

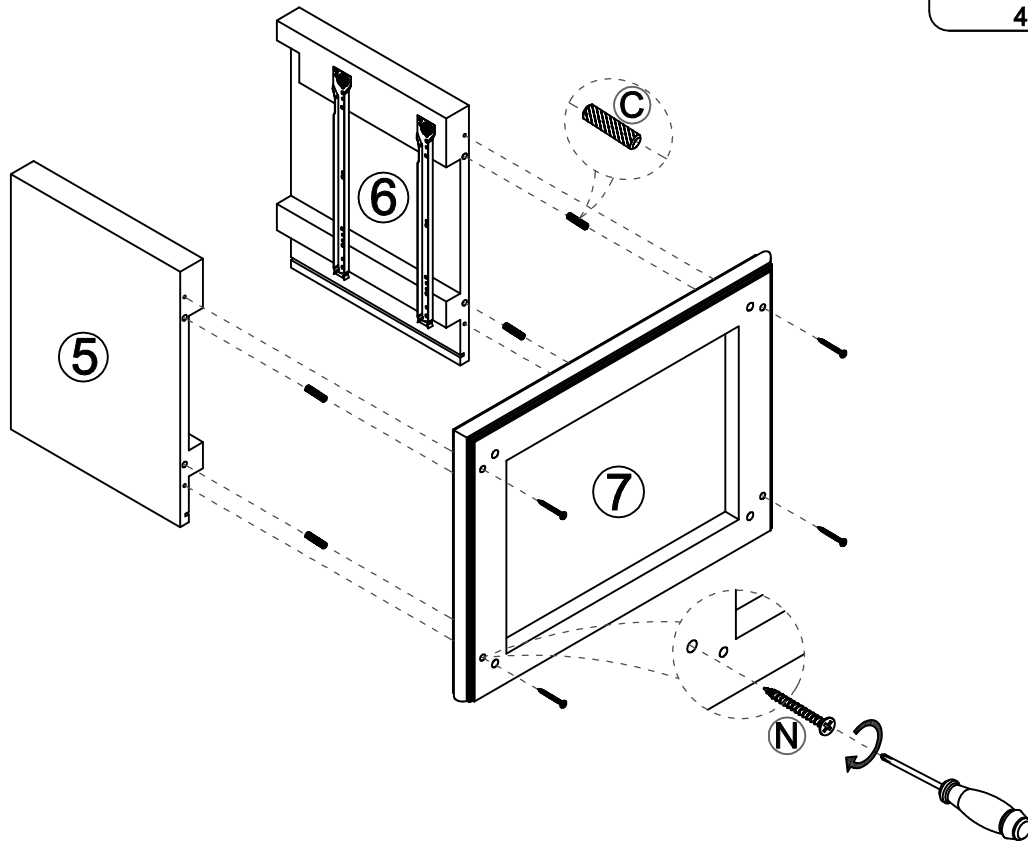
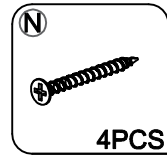


Step 2

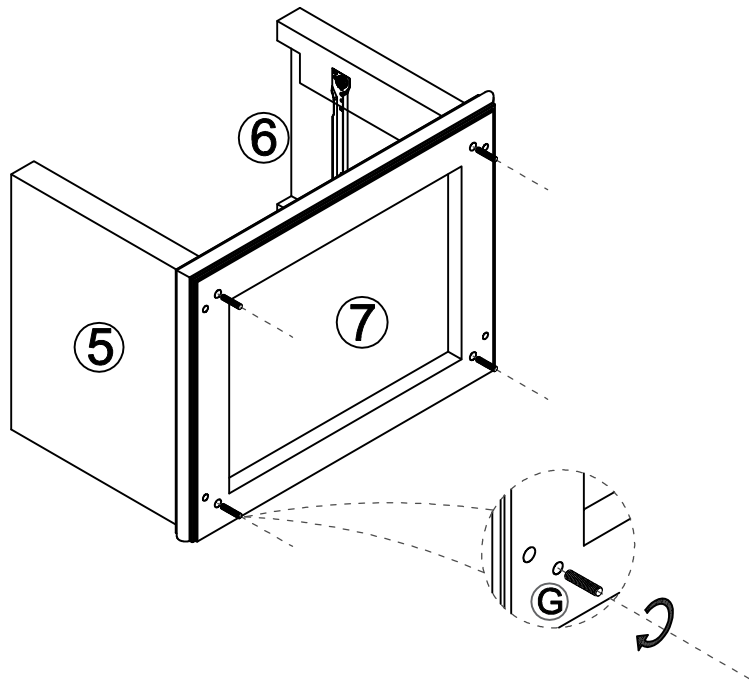
The first hole in the UPPER row holes of the slide is without the corresponding pre-drilled hole, after fix the position of the slide and then screw on.



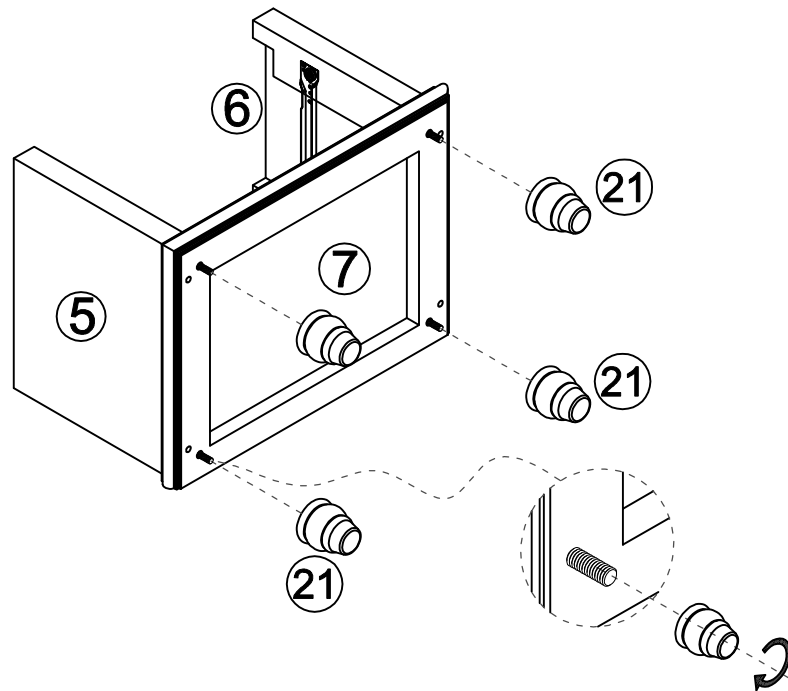
Step 3



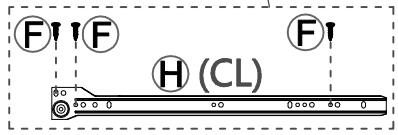
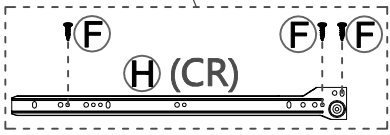
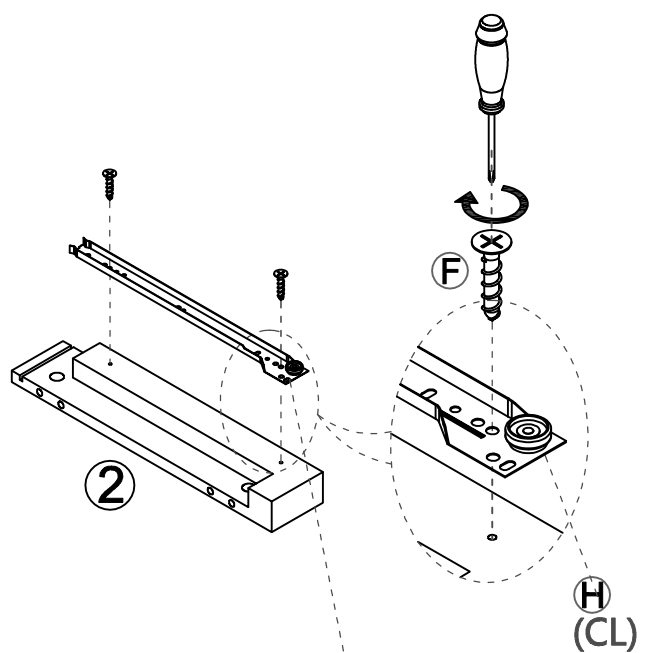
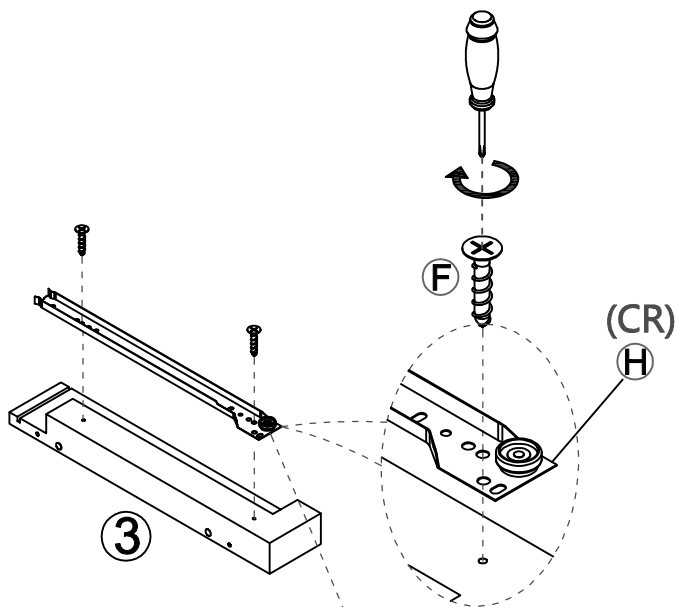
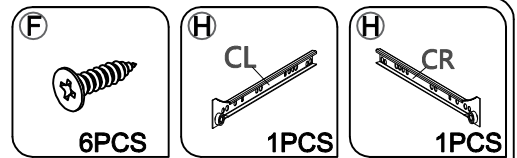
Step 4



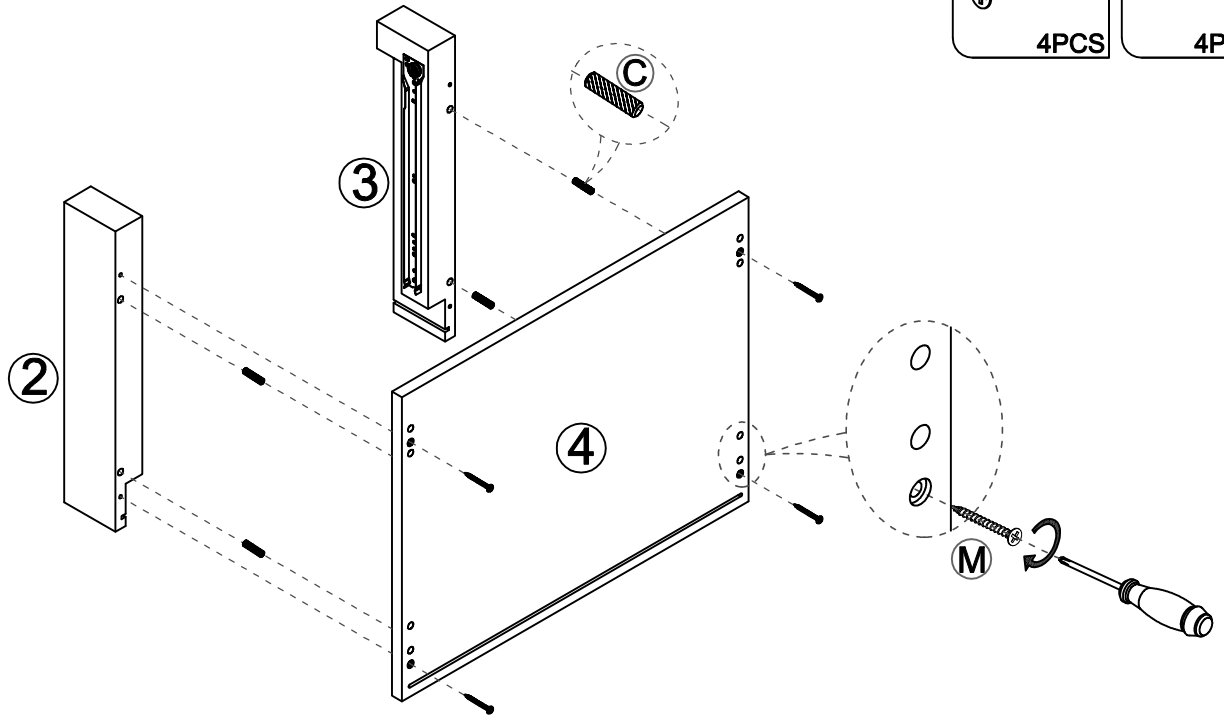
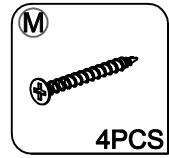
Step 5



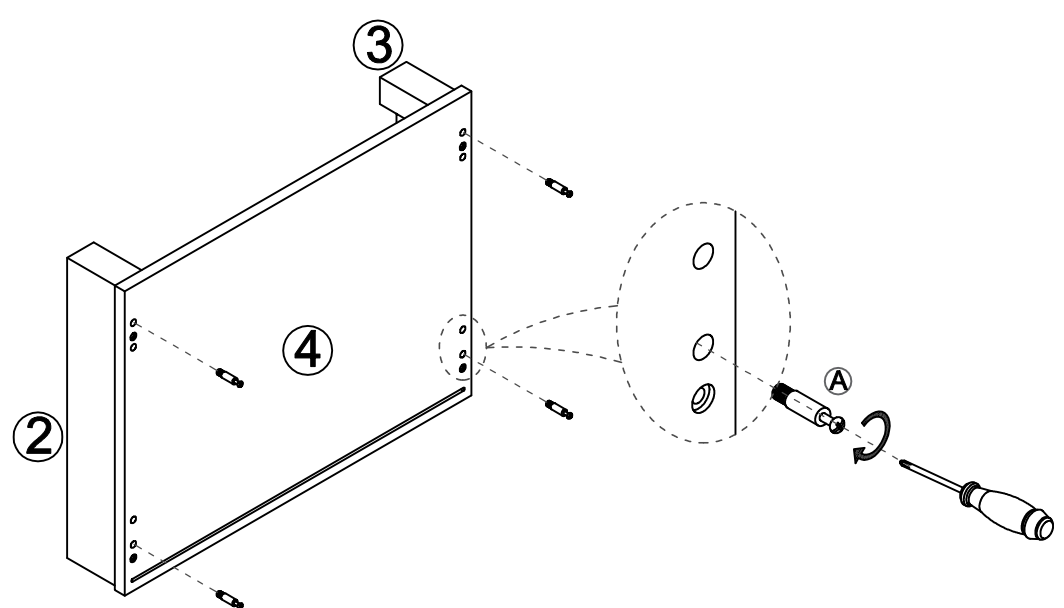
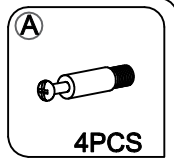
Step 6



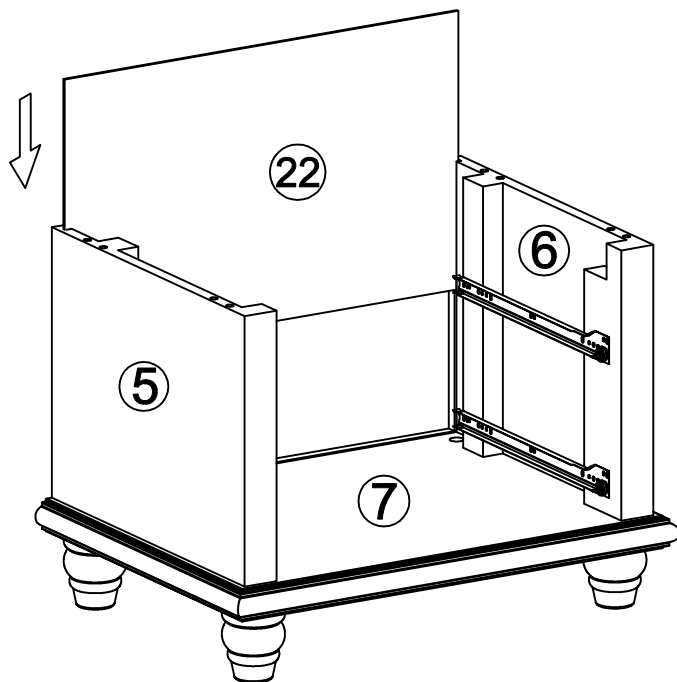
Step 7



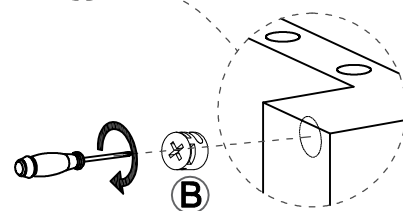
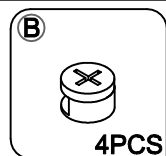
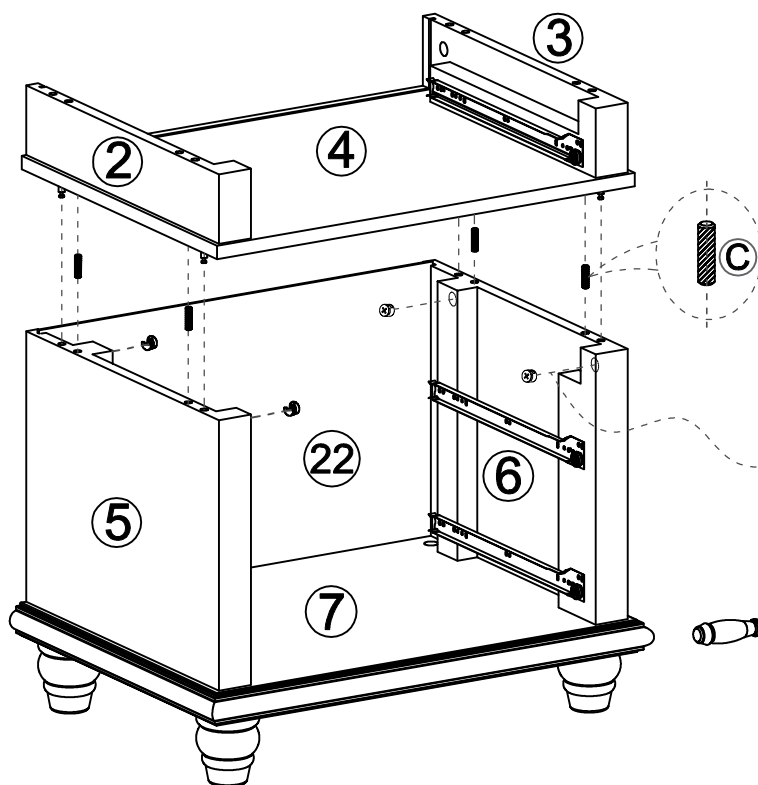
Step 8



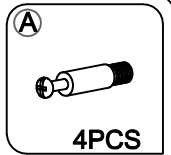
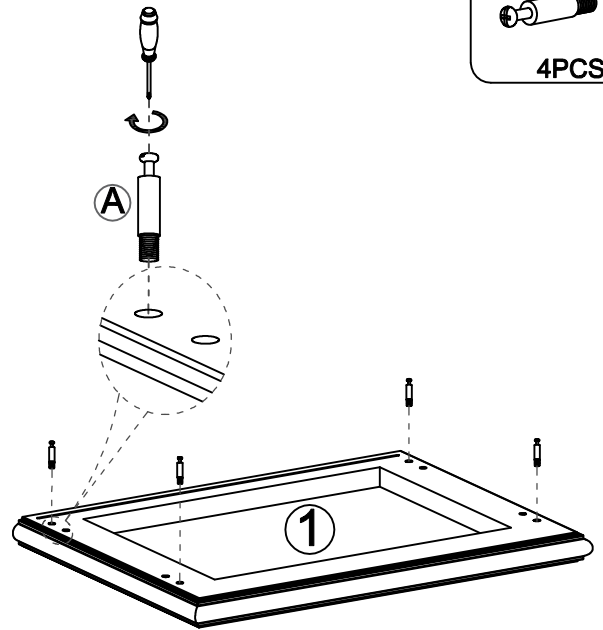
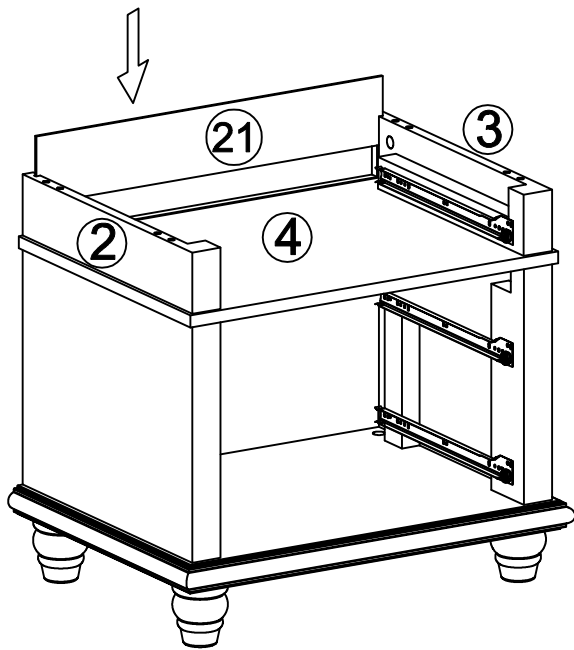
Step 9



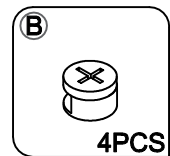
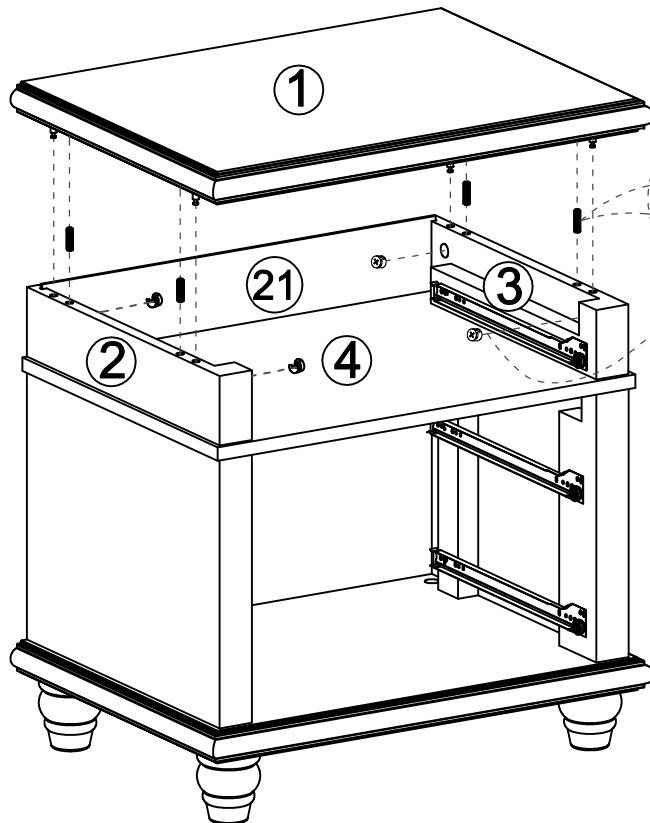
Step 10



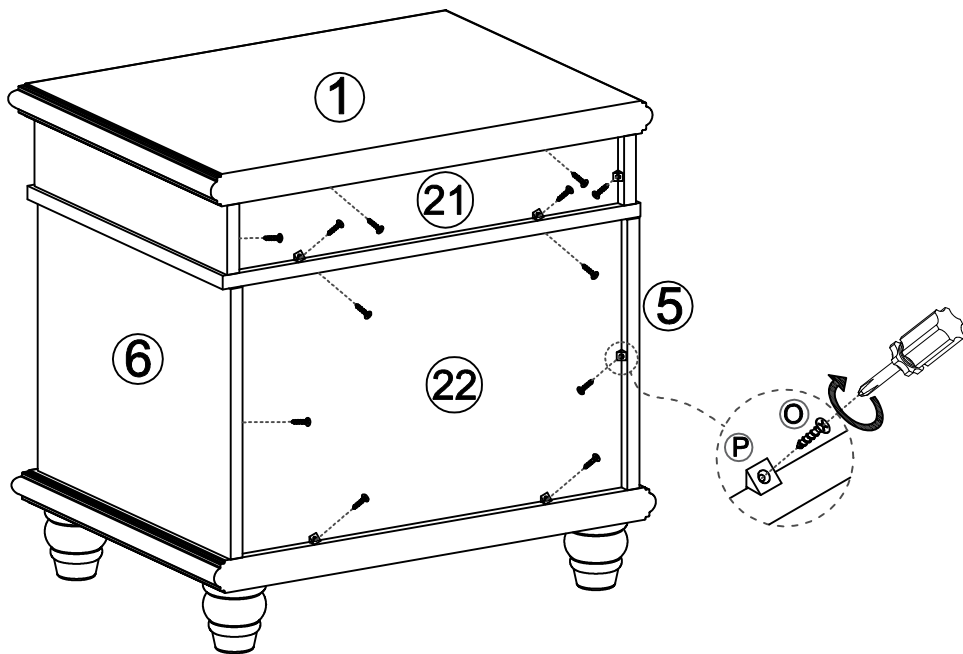
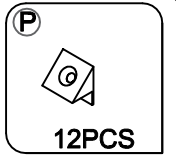
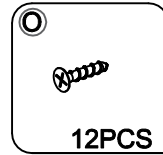
Step 11



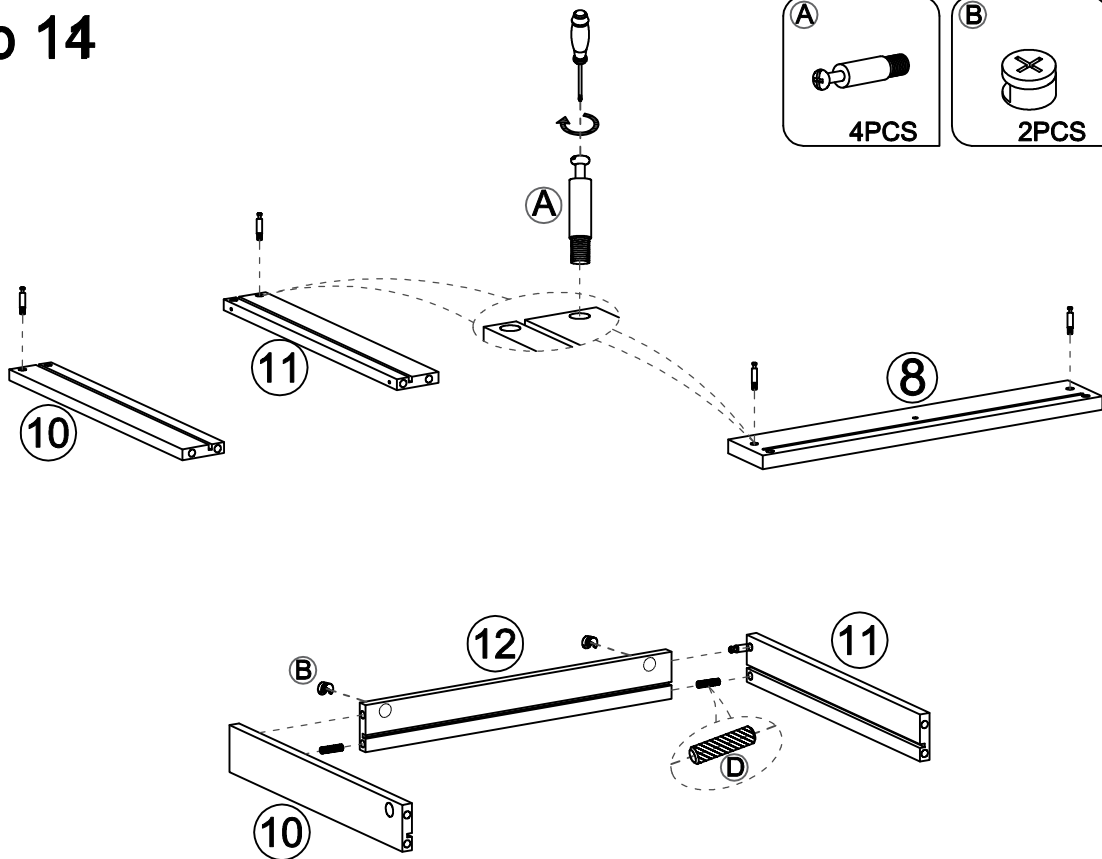
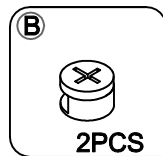
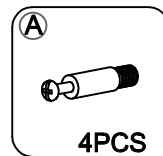
Step 12



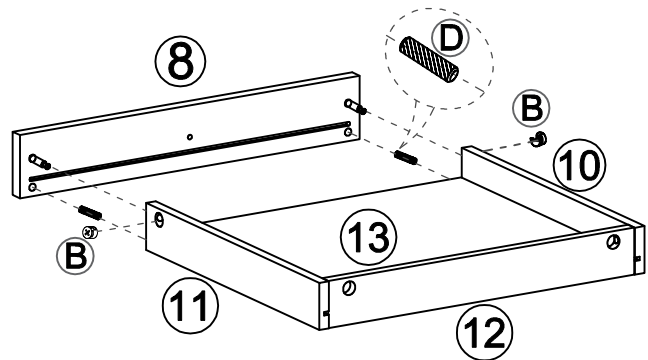
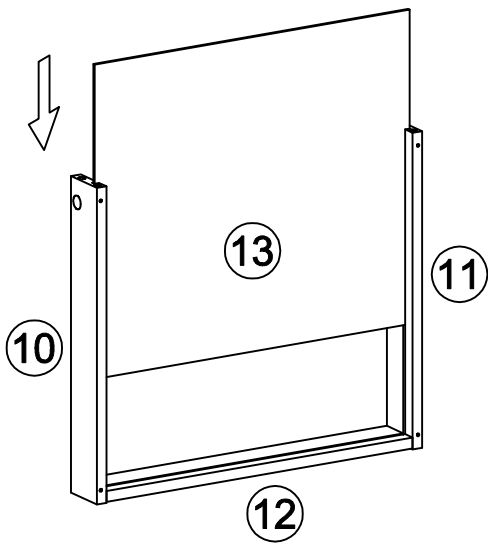
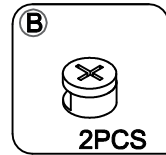
Step 13



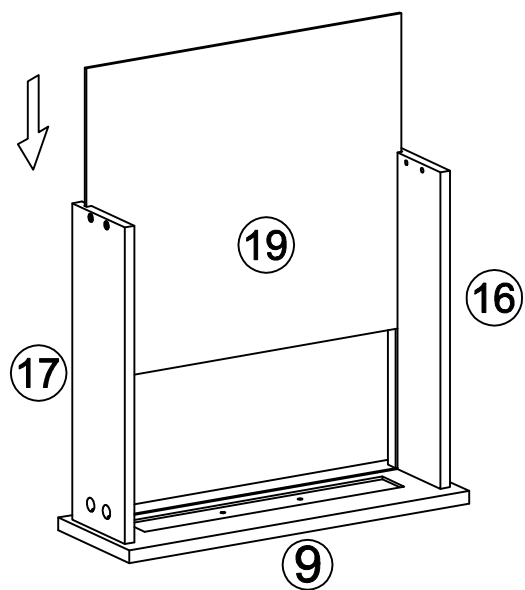
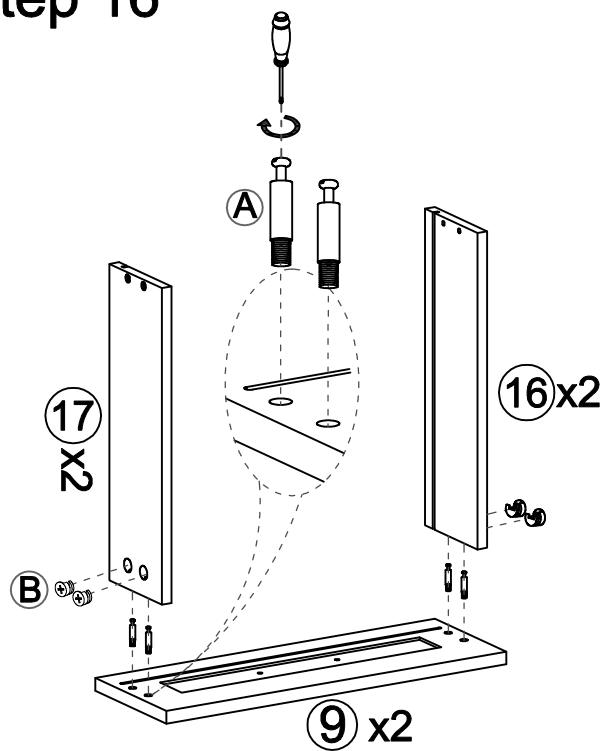
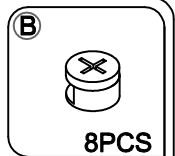
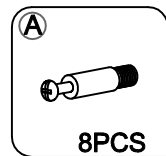
Step 14




Step 15

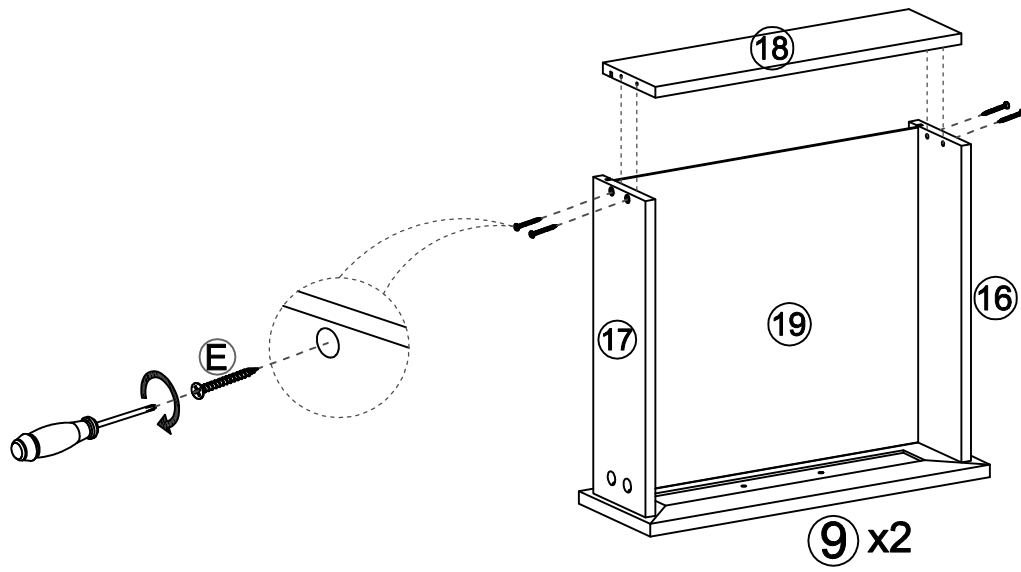


Step 16





Step 17

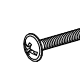
E

8PCS




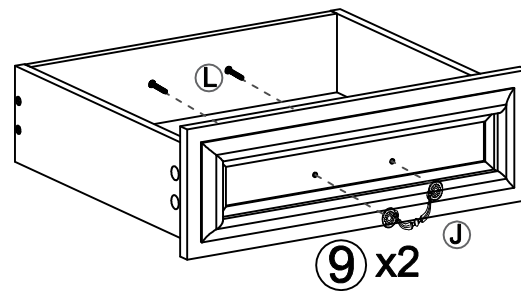
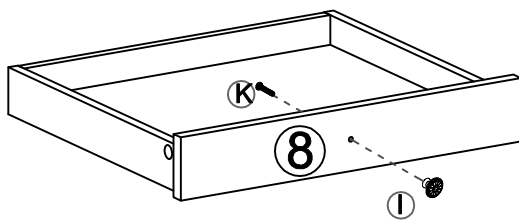
Step 18

I

1PCS

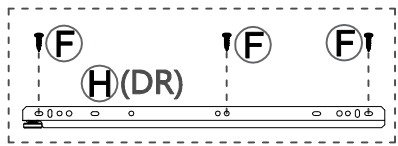
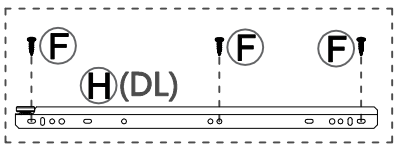
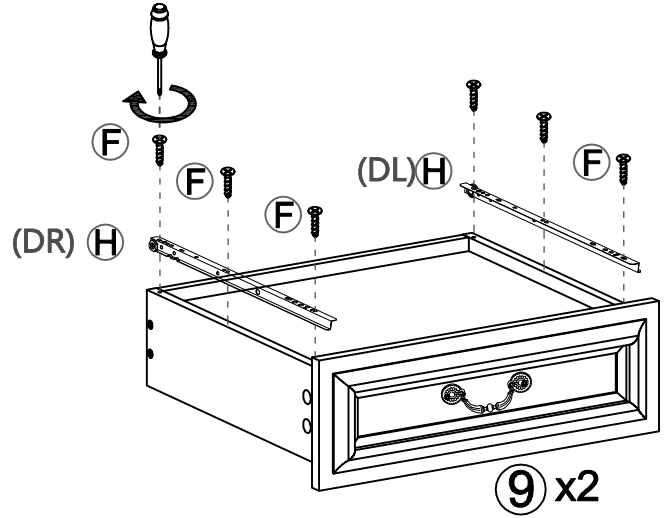
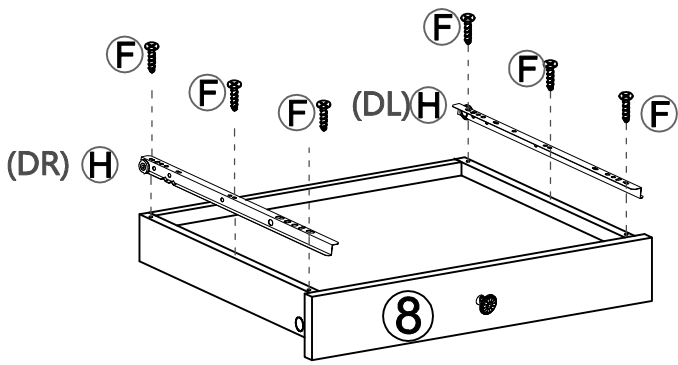
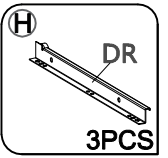
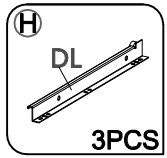
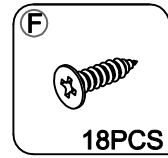
J

2PCS

K

1PCS

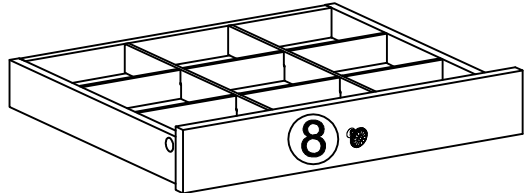
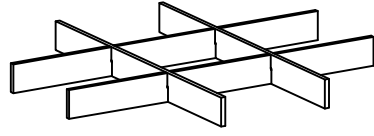
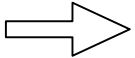
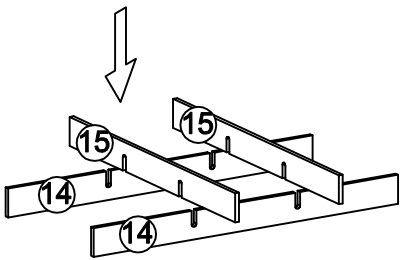
L

4PCS



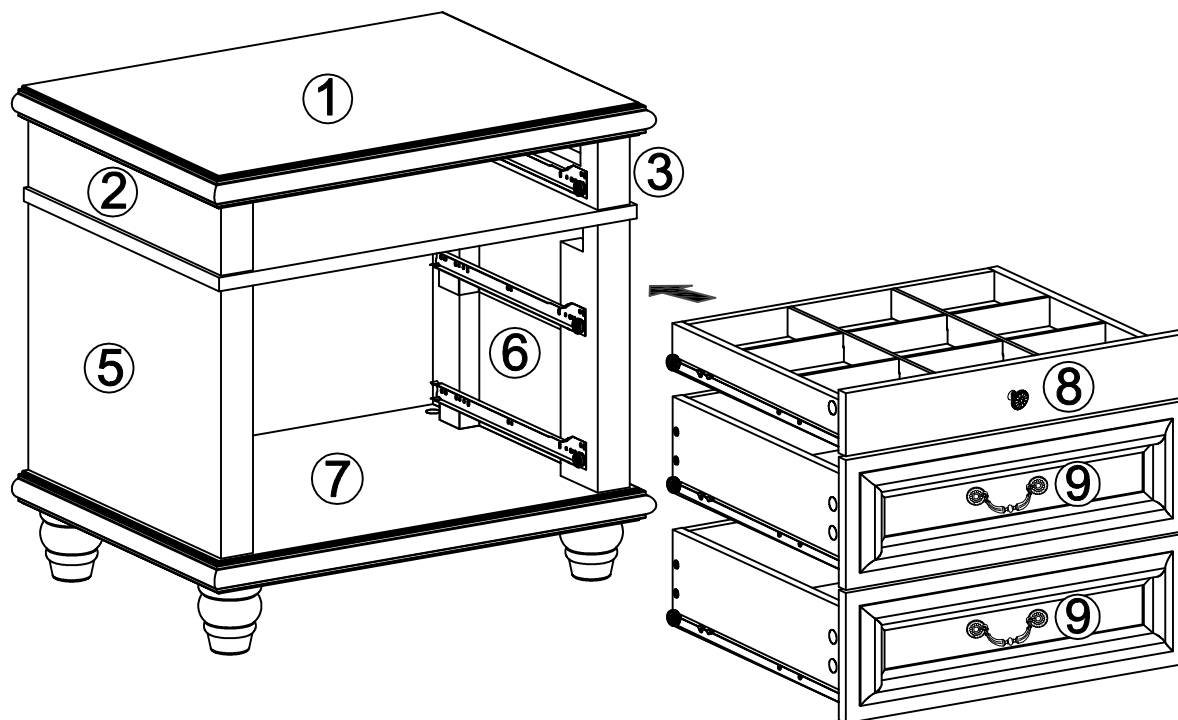
Step 19



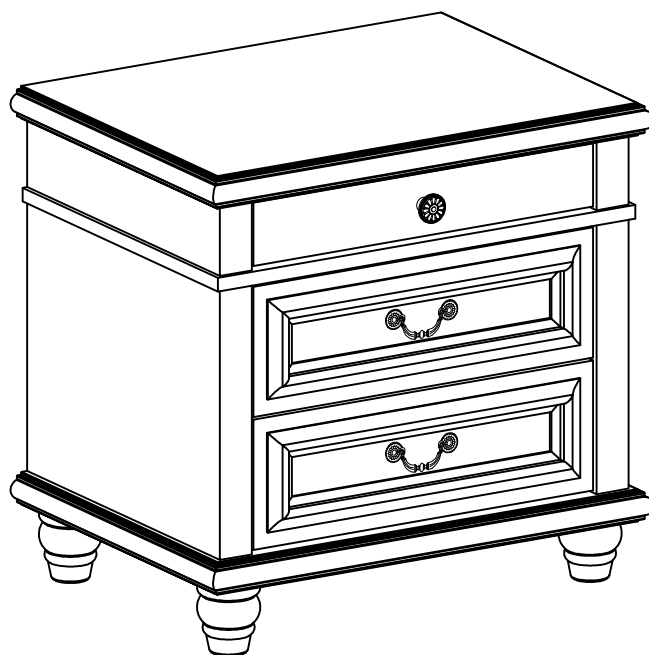
Step 20



Step 21



Step 22



IMPORTANT SAFETY INFORMATION

Please carefully read the instructions and caution warnings below before assembling the product. Following this guide will ensure that you install, use and maintain the product properly.

- Please keep this installation and user manual/instructions for future reference in case you need to assemble the product.
- Do not assemble if you notice serious damage such as cracks or bends.
- During installation, please use work gloves for hand safety.
- Please assemble the unit on carpeted floor or the flat cardboard box to avoid scratching the surface or your floor while assembling on the floor.
- To assemble, please use the complimentary installation tools (Allen Wrench). Pay more attention to the direction of components at each steps.
- It is recommended that two people work together to assemble the product.
- Please do not tighten the screws up too much, just to 80% before you finish to make the installation go on successfully.

HOW TO MAINTAIN YOUR PRODUCT:

- Check the screws of the product are not loose from regular use.
- Do not use sharp instruments, rubbing alcohol, corrosive chemicals, or abrasive cleaners to clean the product.
- Do not keep the product in a damp environment for a long period of time. The damp environment may cause the iron components to rust and the plates to bulge and crack.