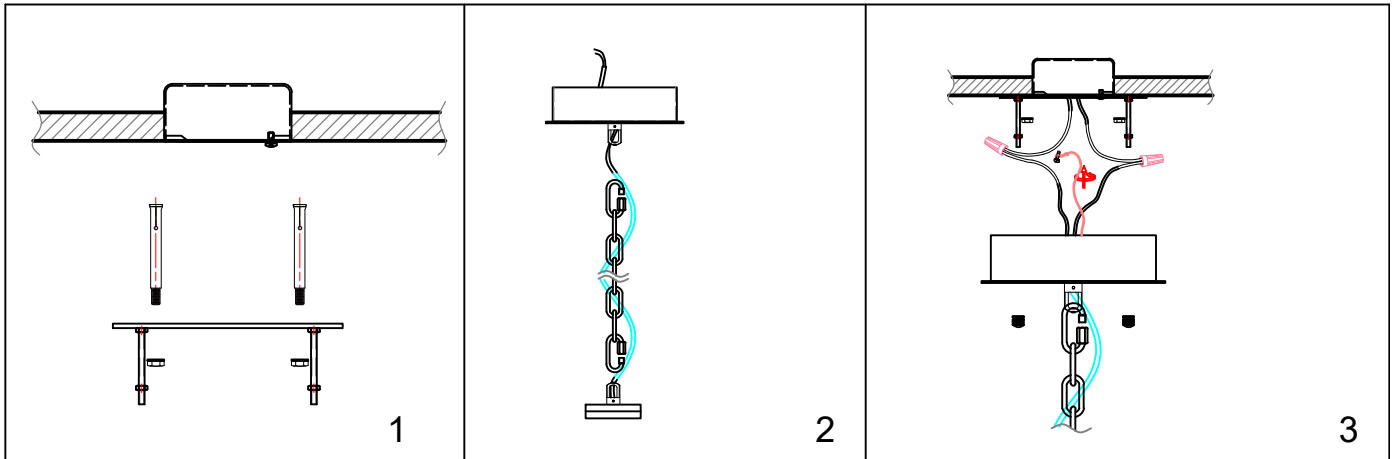
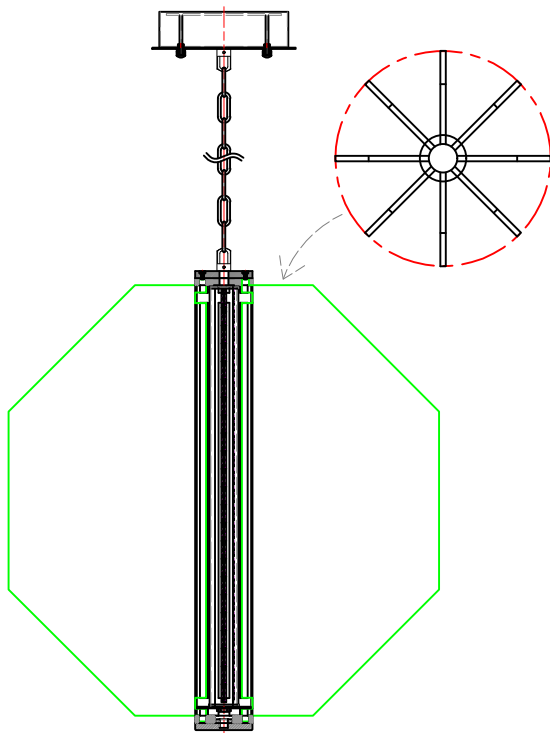


## ASSEMBLY INSTRUCTIONS



REF/SKU : PD70  
LIGHT SOURCE: LED 44W 3000K



### Installation Program

1. Fix the hanging board on the junction box with mounting screws.
2. Fasten and lock both ends of the hanging chain with the ceiling plate and the lamp body respectively, and then thread the lamp body wire to the ceiling plate
3. Connect the wires and fix the lamp body on the hanging plate with a fixed beauty.
4. Turn on the power and try to light up.

### ATTENTIONS



#### WARNINGS

1. Do not disassemble this product.
2. Do not strike or shake strongly.
3. Do not wipe with ethyl alcohol, gasoline or paint thinners etc.

#### Assembling Attentions:

1. Components should be on desk, without any defect or out of shape.
2. The bearing of mounting plate should be enough for the lamp, expansion screw is needed for big chandeliers.
3. Once weight of chandelier is over 3kg, it should be fixed with embedded chain hoist to make sure not pressure to wire.
4. Incandescent light bulb can not be installed to combustible hook directly, can not cling to fabric shade, power can not higher than maximum marked on lamp.