

Bachelor Chest



ASSEMBLY INSTRUCTIONS



60 min. assembly
2 person

* The estimated assembly time may vary depending on the individual.

Hey,there

Now is assembly time!

Deeeeeeep breathe.... and again....
Tools ready,
Easy peasy!

Estimated



60 min. assembly
2 person

Tools Required

- Allen Wrench(included)
- Phillips screwdriver(not included)
- Hammer(not included)
- Power Drill(not included)
- Drill bit(not included)

important:Cautious when you use power tools

Thank you for purchasing this product. This product has been manufactured with the highest standards of safety and quality.

PLEASE READ ALL INSTRUCTIONS CAREFULLY BEFORE ASSEMBLY.

Unpack all parts from the packaging inside the carton to ensure there are no missing or damaged parts. Lay out all the chest of drawers parts on a clean, flat, and soft surface to prevent scratches. Refer to the steps provided as assembling guide.

Do not attempt to assemble or use the product if any parts are missing or damaged.

Please save this manual for future reference.

REMINDERS

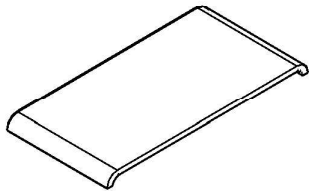
SAFE USAGE IS KEY

Your well-being is our top priority when you use our product. Please prioritize your safety by diligently following the assembly guidelines and inspecting the product carefully both when it arrives and before each use. Please be aware that we cannot be held liable for any injuries or fatalities that occur due to not adhering to the provided instructions or misuse of the product.

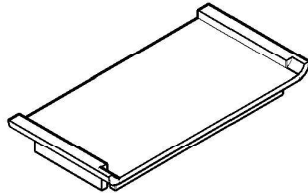
DO NOT MODIFY

Our products undergo rigorous testing to ensure they meet established safety standards before being released for sale. Altering the product in any way can lead to serious safety concerns, for which we cannot assume responsibility.

Furniture components:



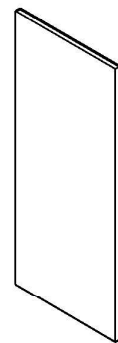
① Top Panel x1



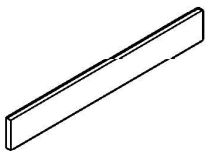
② Bottom Panel x1



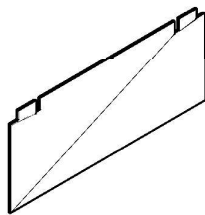
③ Side Panel (L) x1



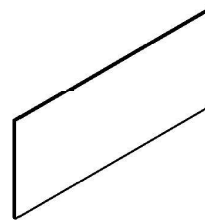
④ Side Panel (R) x1



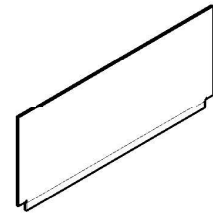
⑤ Back Support & Internal Support Panel x3



⑥ Back Mdf Board (A) x1



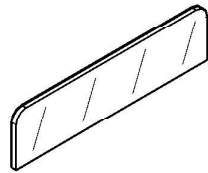
⑦ Back Mdf Board (B) x1



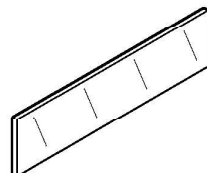
⑧ Back Mdf Board (C) x1



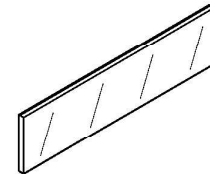
⑨ Leg Panel x4



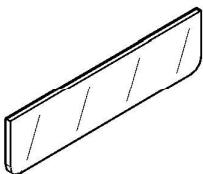
⑩ 1st Drawer Face Panel x1



⑪ 2nd & 4th Drawer Face Panel x2



⑫ 3rd Drawer Face Panel x1



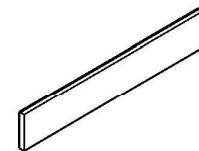
⑬ 5th Drawer Face Panel x1



⑭ Drawer Side Panel (L) x5



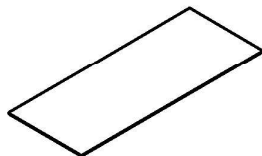
⑮ Drawer Side Panel (R) x5



⑯ Drawer Back Panel x5

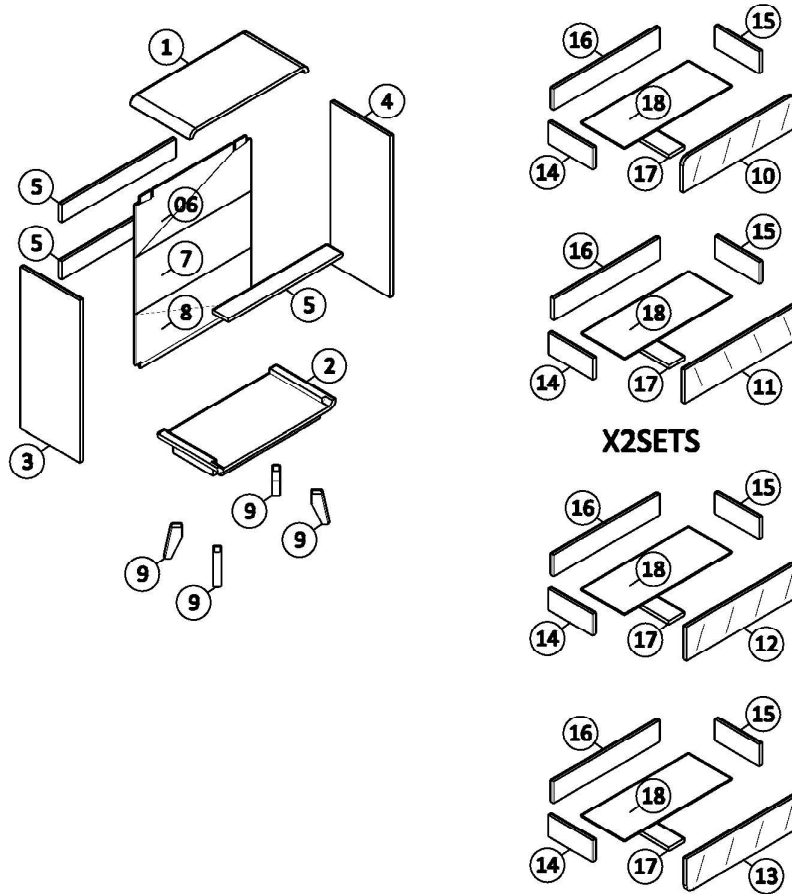


⑰ Drawer Support Panel x5

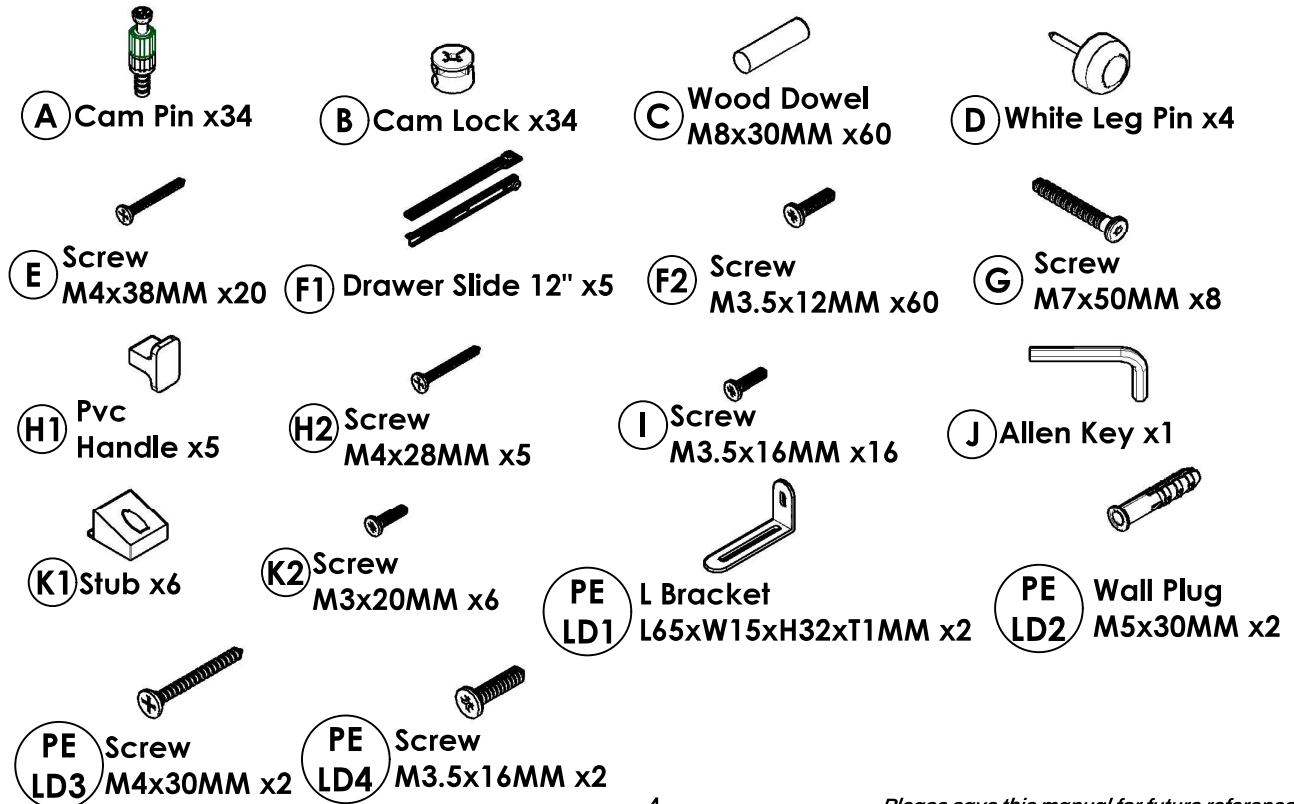


⑱ Drawer Mdf Board x5

Furniture components:

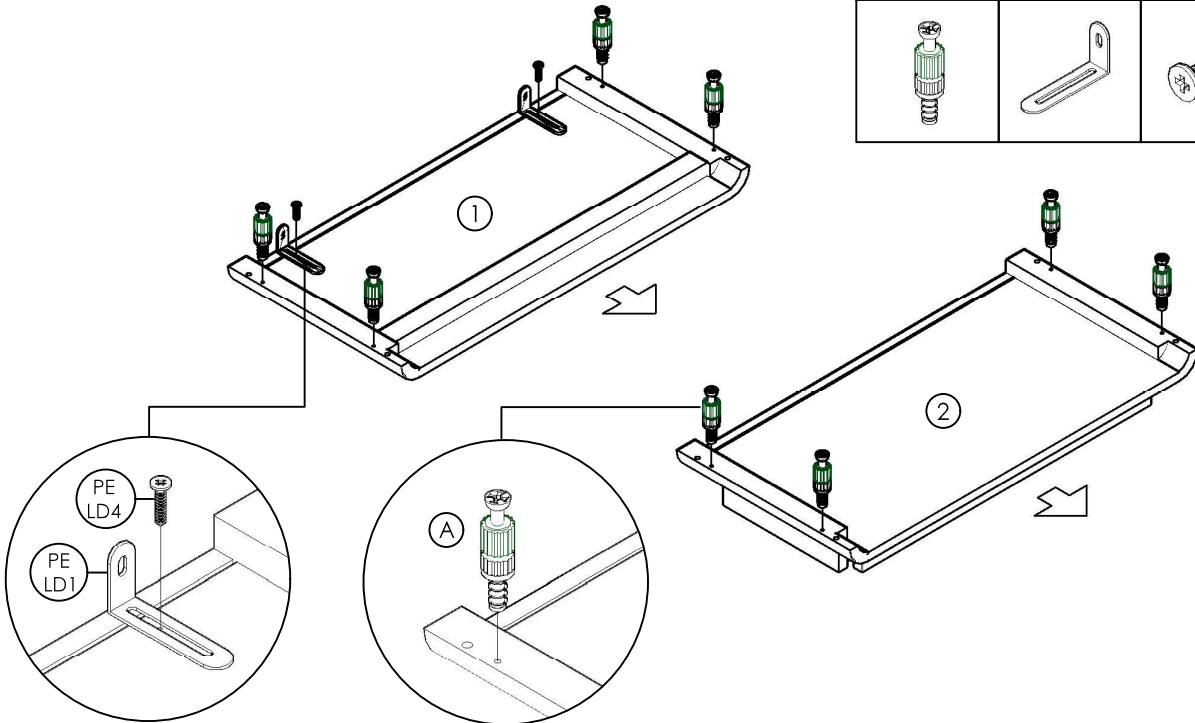


Provided hardware:



Step 1

(A) x8	(PE LD1) x2	(PE LD4) x2

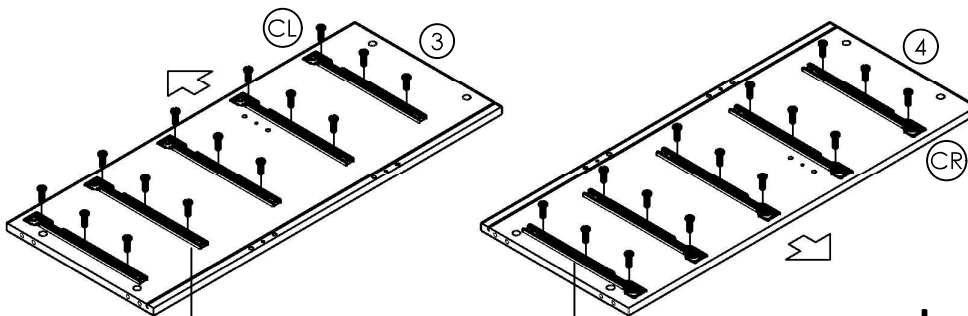


Installation Screw:
Please insert the screw (PE-LD4) on panel using a screwdriver.

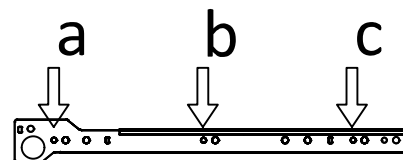
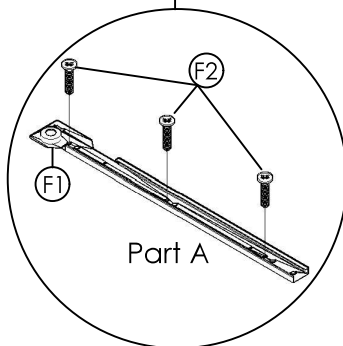
Installation Cam Pin:
Please insert the screw on panel using a screwdriver.

Step 2

(F1) x10	(F2) x30



Installation drawer Slide:
Please insert the screw (F2) on drawer slide (F1) using a screwdriver.



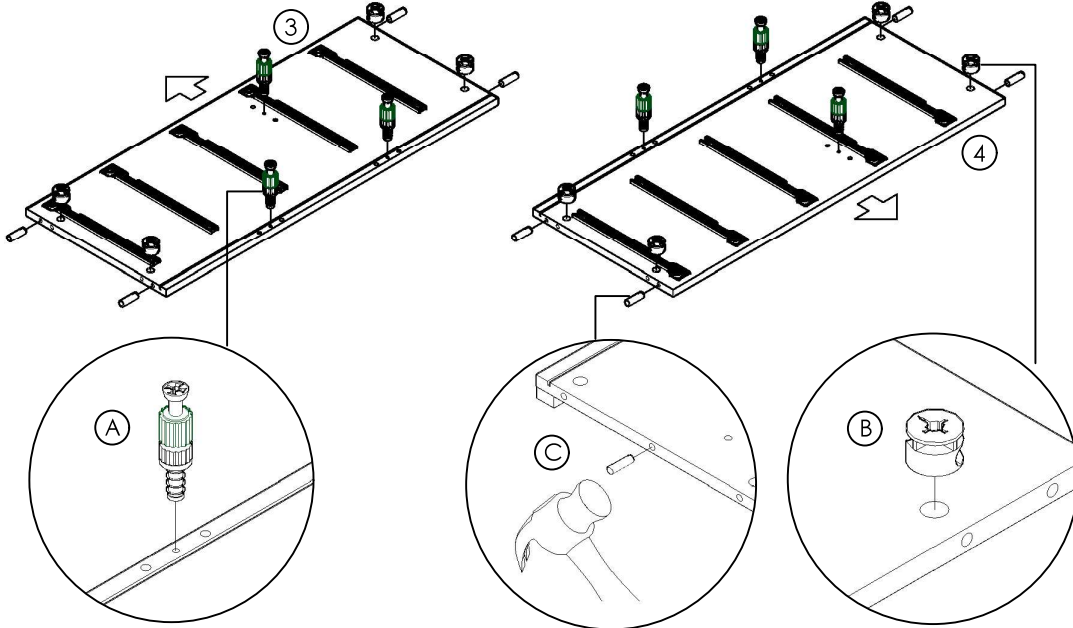
Screw in hole a,b and c

CL for panel (3)

CR for panel (4)

Step 3

(A) x6	(B) x8	(C) x8

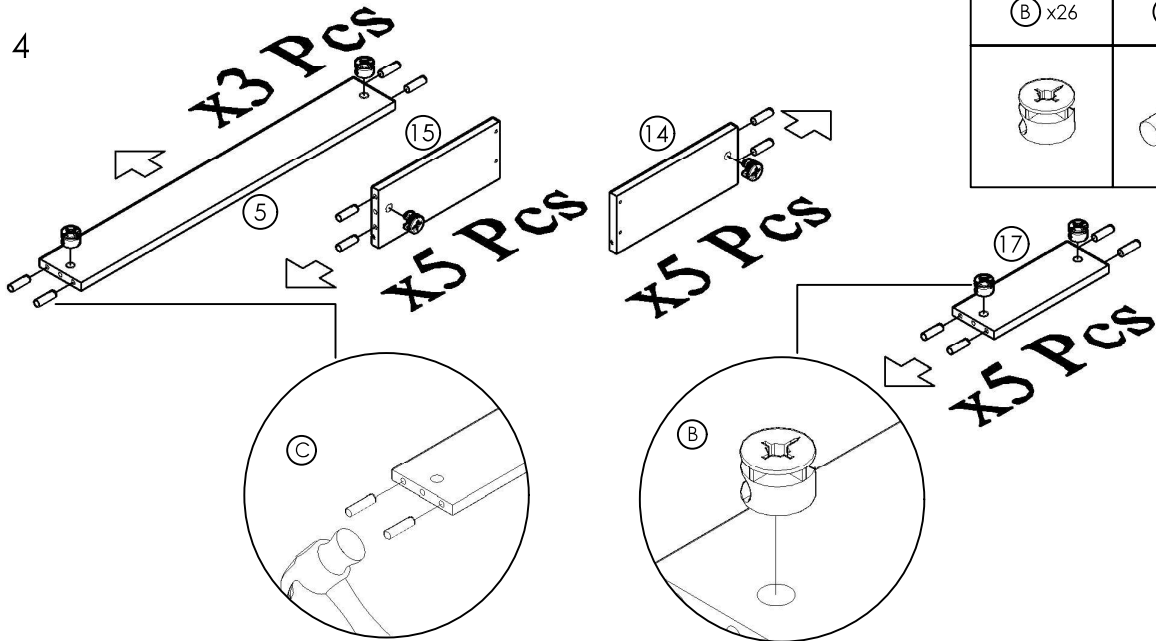


Installation Cam Pin:
Please insert the screw on panel using a screwdriver.

Installation Wood Dowel:
As Shown, Please using the hammer to insert the cam lock (B) and wood dowel(C) into hole of panel.

Step 4

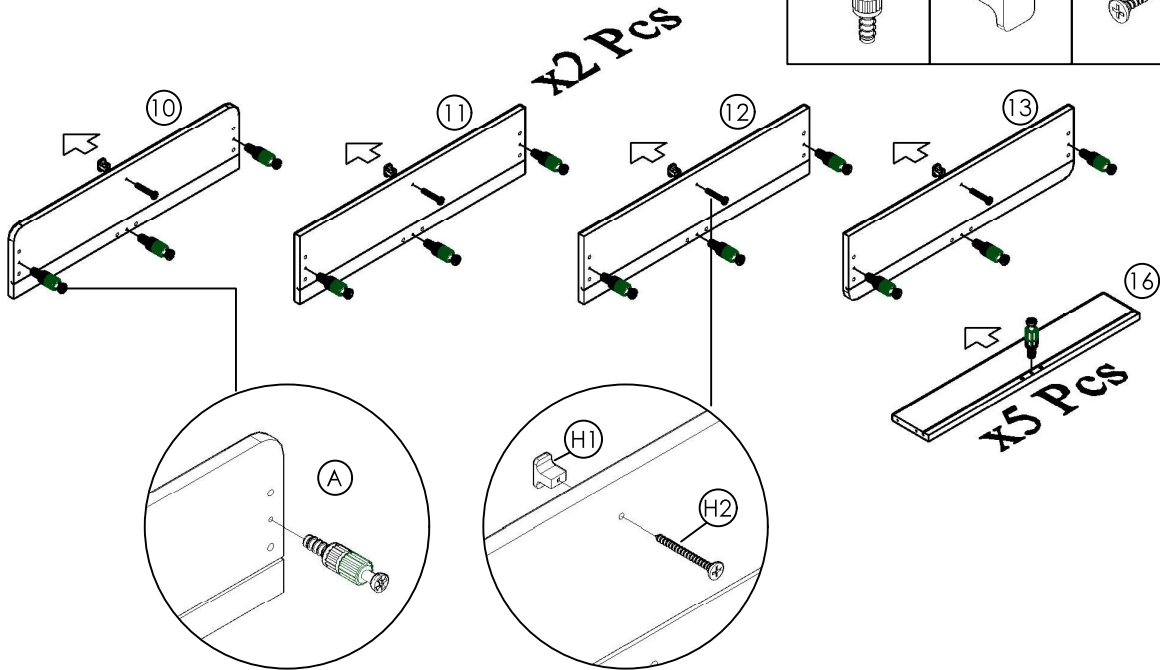
(B) x26	(C) x52



Installation Wood Dowel:
As Shown, Please using the hammer to insert the cam lock (B) and wood dowel(C) into hole of panel.

Step 5

(A) x20	(H1) x5	(H2) x5

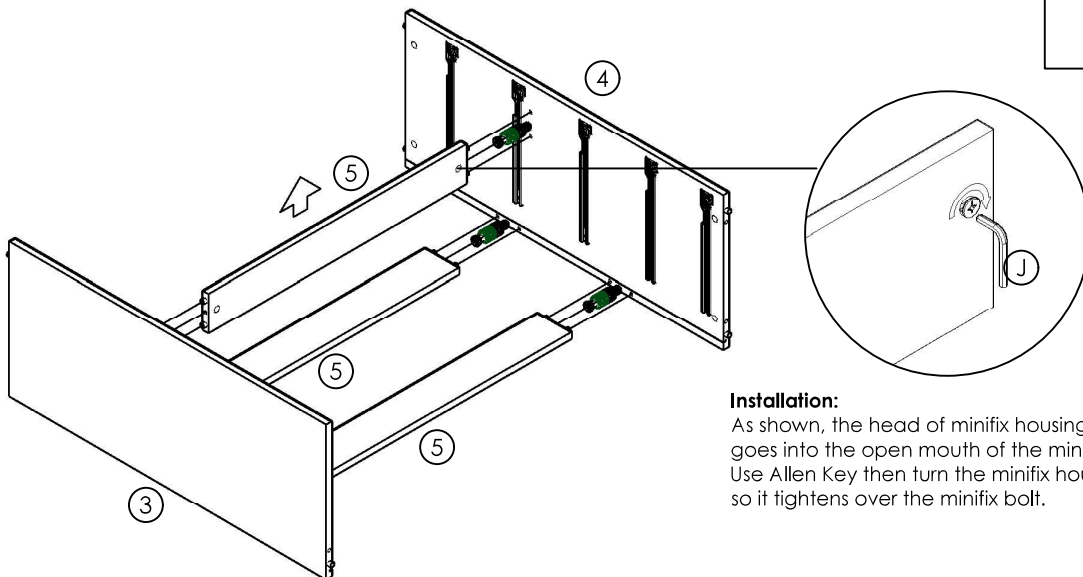


Installation Cam Pin:
Please insert the screw on panel using a screwdriver.

Installation Screw:
Please insert (H1) inside the groove fasten it with screw (H2).

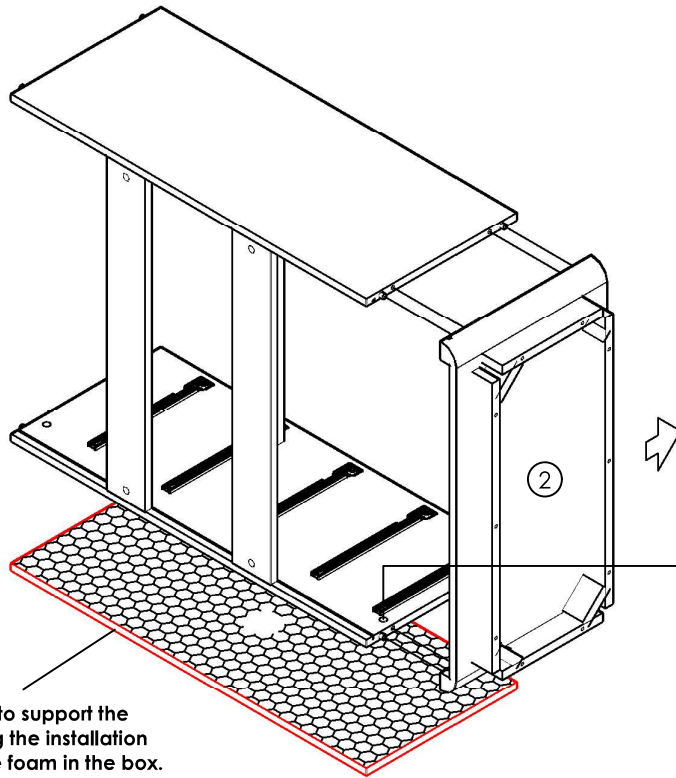
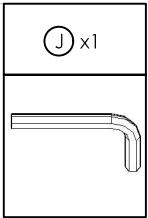
Step 6

(J) x1



Installation:
As shown, the head of minifix housing goes into the open mouth of the minifix bolt. Use Allen Key then turn the minifix housing so it tightens over the minifix bolt.

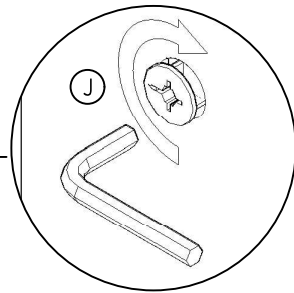
Step 7



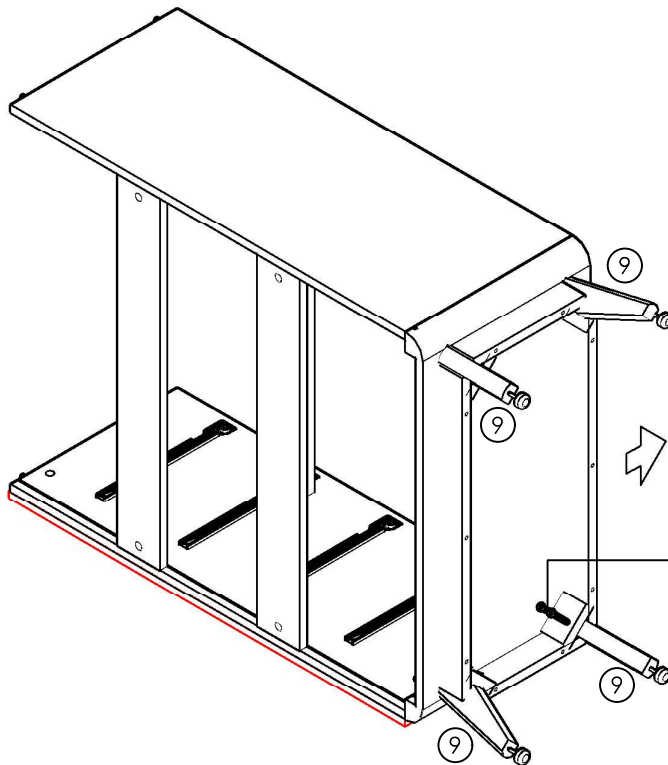
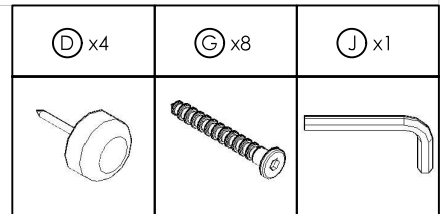
Place foam to support the panel during the installation process. Use foam in the box.

Installation:

As shown, the head of minifix housing goes into the open mouth of the mini fix bolt. Use Allen Key then turn the minifix housing so it tightens over the mini fix bolt.



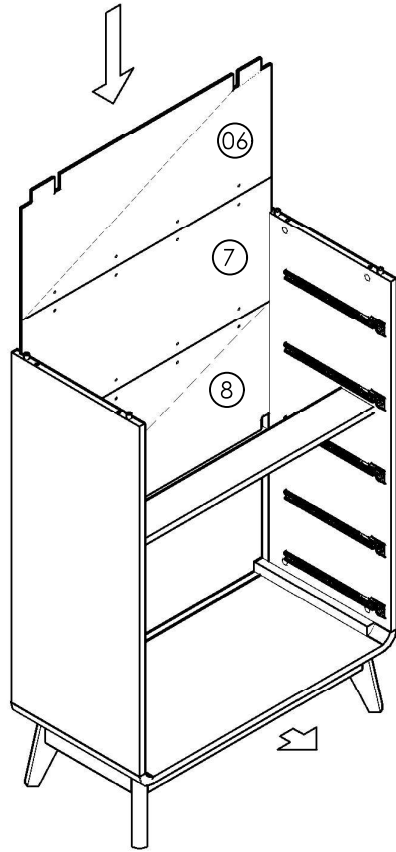
Step 8



Installation White Leg Pin:
As Shown, Please using the hammer to insert the white leg pin (D) into hole of panel.

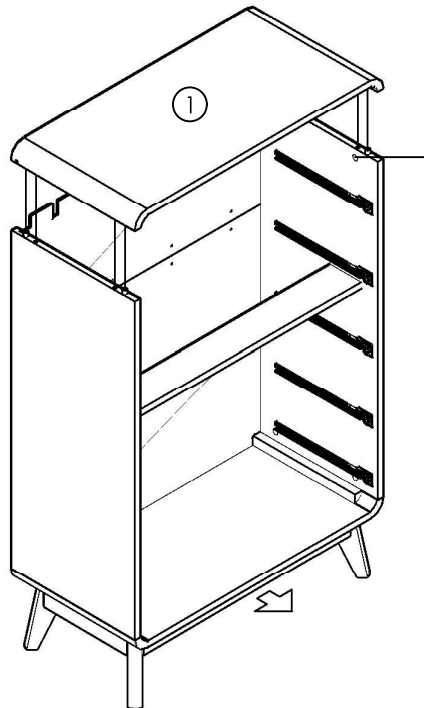
Installation Screw:
Please insert the screw (G) on panel using a allen key.

Step 9

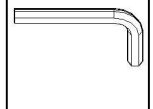


Installing the Back MDF Board:
Insert MDF Board: Slide the
MDF Board into the panel.

Step 10



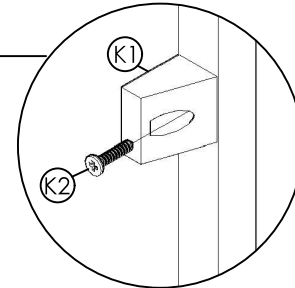
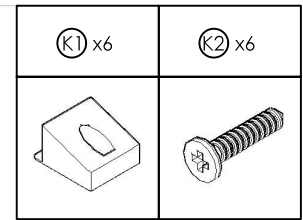
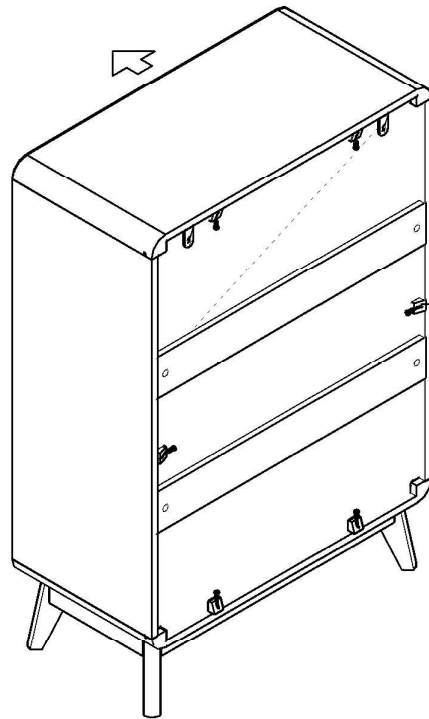
ⓐ x1



Installation:

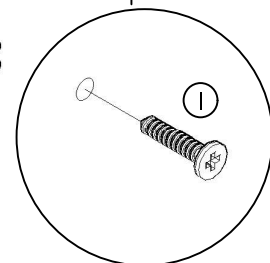
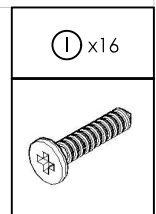
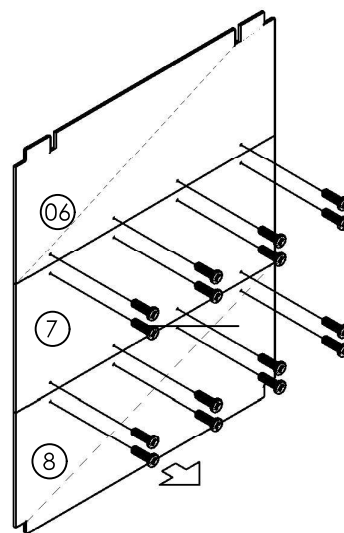
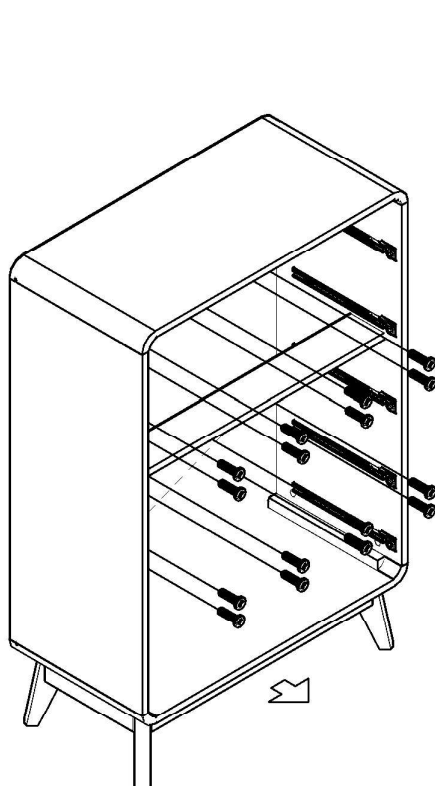
As shown, the head of minifix housing goes into the open mouth of the mini fix bolt. Use Allen Key then turn the minifix housing so it tightens over the mini fix bolt.

Step 11





Installation Screw:
Please insert (K1) inside the groove
fasten it with screw (K2).

Step 12

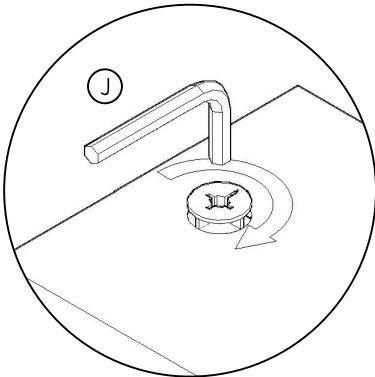
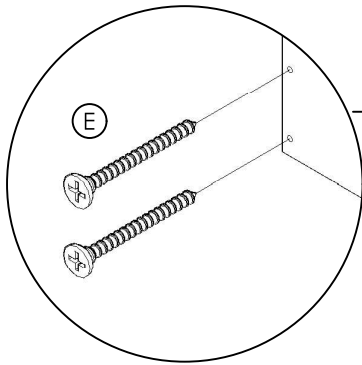


Installation Screw:
Please insert the screw (I)
on panel using a screwdriver.

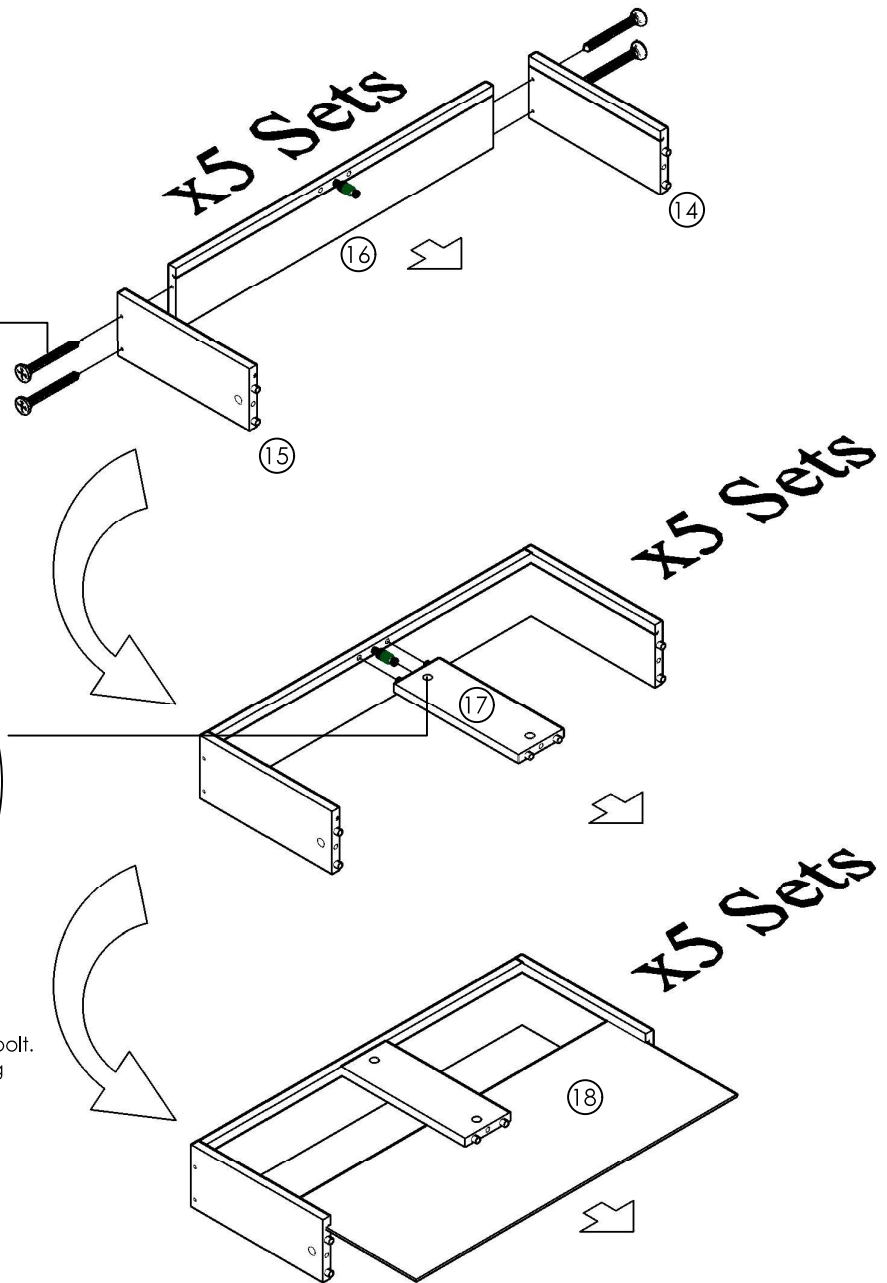
Step 13

(E) x20	(J) x1
	

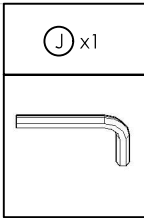
Installation Screw:
Please insert the screw (E)
on panel using a screwdriver.



Installation:
As shown, the head of minifix housing
goes into the open mouth of the mini fix bolt.
Use Allen Key then turn the minifix housing
so it tightens over the mini fix bolt.

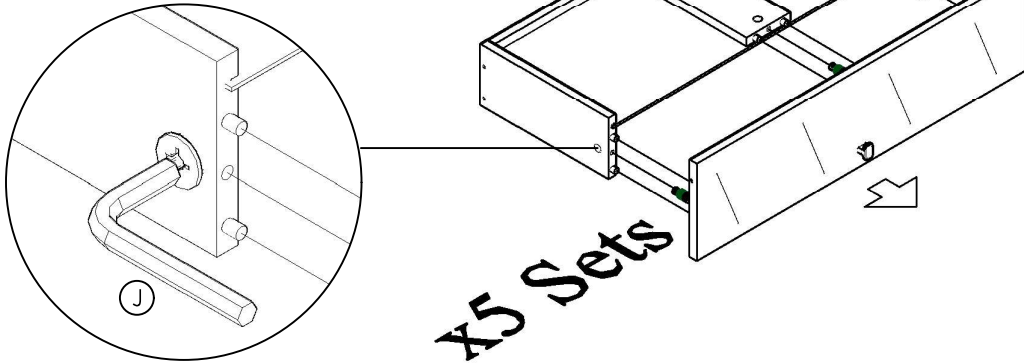


Step 14

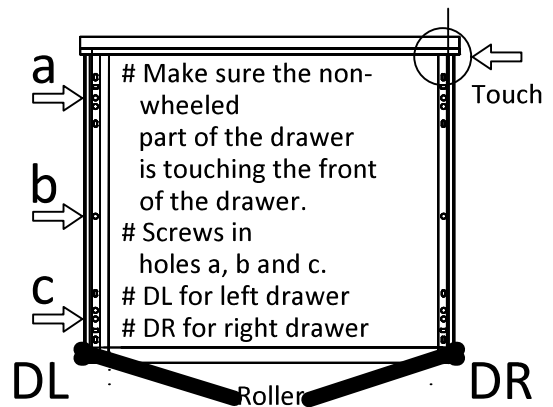
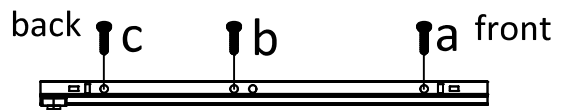
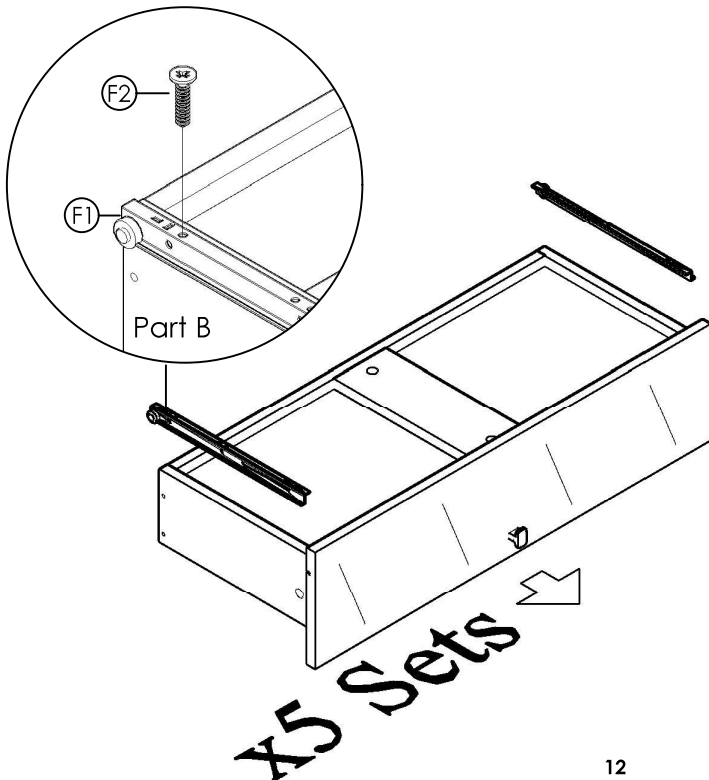
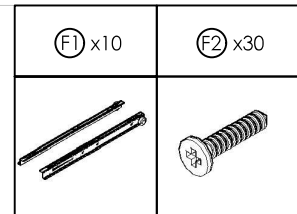


Installation:

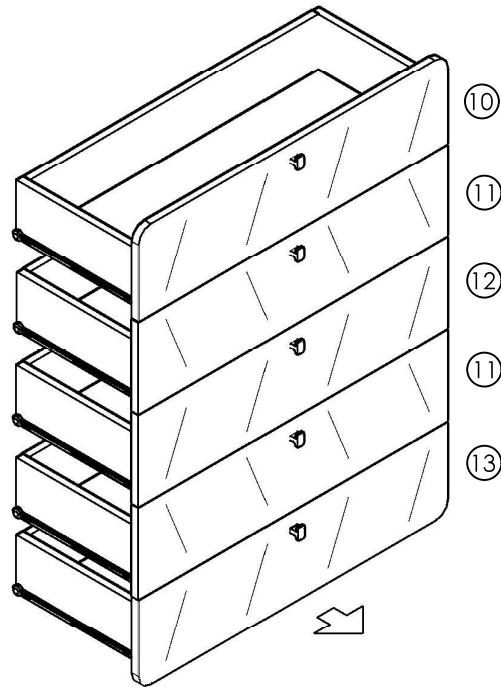
As shown, the head of minifix housing goes into the open mouth of the minifix bolt. Use Allen Key then turn the minifix housing so it tightens over the minifix bolt.



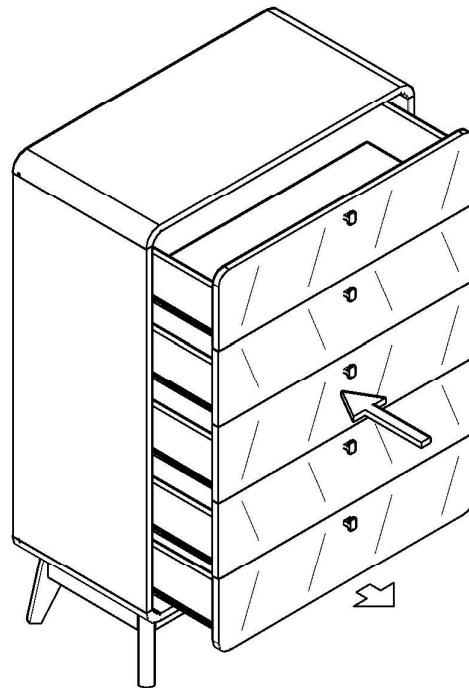
Step 15



Step 16



Step 17



Insert the Drawer:
Please insert the drawer
according the numbering.

Now enjoy.



Warning !!!

DO NOT stand or climb on this chest as they may cause damage to the product and cause serious bodily injury.

Something not right?

We are always here to help.

We make mistakes like every human does. Though we always strive to provide the best possible products at competitive prices and the best service in the industry, it's not possible to completely eliminate mistakes. If you experience any dissatisfaction, feel free to contact us immediately. Our in-house customer care team will respond ASAP.

Things to do to expedite the process

- Have your order# ready
- Take photos/videos to help us better identify the issues
- DO NOT throw away the packaging

Happy with our product?

Leave us a review

It really help us as a small business

Find the product you purchased on our website (tip: search by SKU) and leave us a review.

Alternatively, you can always return to the marketplace where you purchased it and leave a review there.

Share with others

Our customers look for REAL stuff

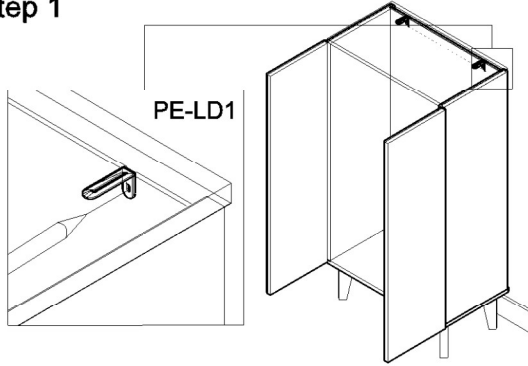
**Please save this manual
for future reference.**

ANTI-TIP DEVICE INSTALLATION INSTRUCTION

Installation Instruction :

To prevent tipping, attach the anti-tip device to a wall stud using the enclosed 2" screw.

Step 1

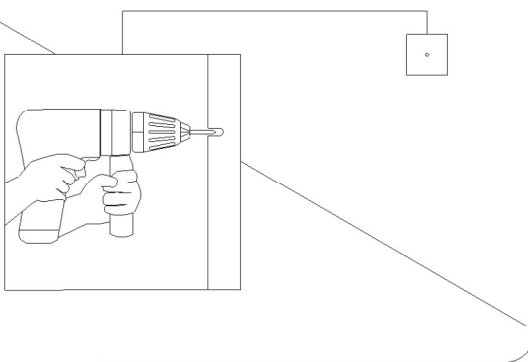


Step 1 : Position and Mark

Place the cabinet against the wall and open door. At the top of the back panel, locate the **pre-installed anti-tip kit**.

Using a pen or pencil, **mark the screw hole position on the wall** through the hole on the anti-tip bracket.

Step 2



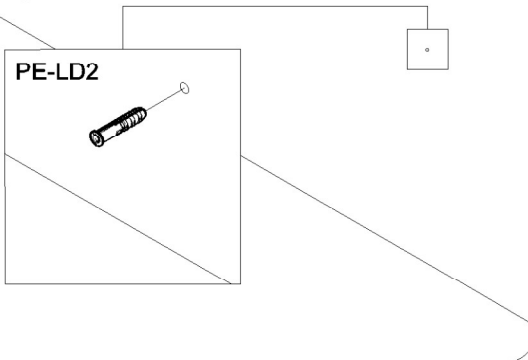
Step 2 : Drill the Wall

Move the cabinet slightly away from the wall. Using a **5mm drill bit**, drill holes at the marked positions to a **depth 30mm**.

Step 3 : Insert Wall Plug

Insert the **wall plug (PE-LD2)** into the drilled hole in the wall.

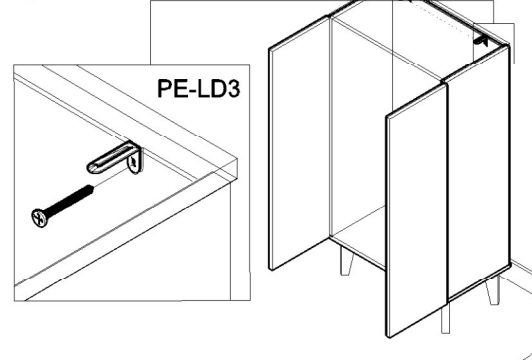
Step 3



Step 4 : Secure the Cabinet

Push the cabinet back to its original position, ensuring the **anti-tip bracket aligns with the wall plug**. Insert the **M4x30 screw (PE-LD3)** through the bracket and and tighten it securely to **anchor the cabinet to the wall**.

Step 4

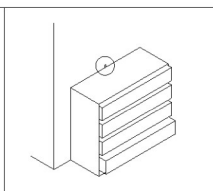
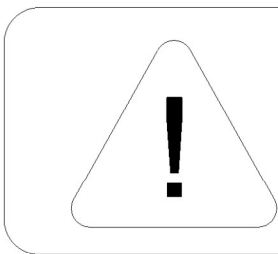
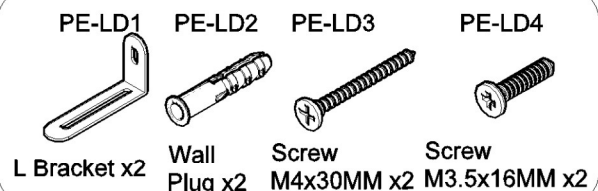


WARNING

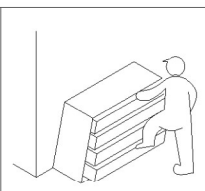
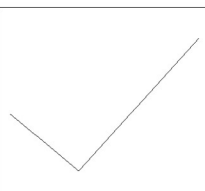
Serious or fatal crushing injuries can occur from furniture tip-over.
ALWAYS secure this furniture to wall using tip-over restraints.
 To further reduce the risk of serious injury and death from tip-overs:

- Place heaviest items in the lower drawer.
- Do not set TVs or other heavy objects on top this product
- Never let children climb or hang on drawers, doors, or shelves.

Device :



WITH ANTI-TIP



WITHOUT ANTI-TIP